

FDOT SECTION 17030000

MATCHLINE - REFER C-105

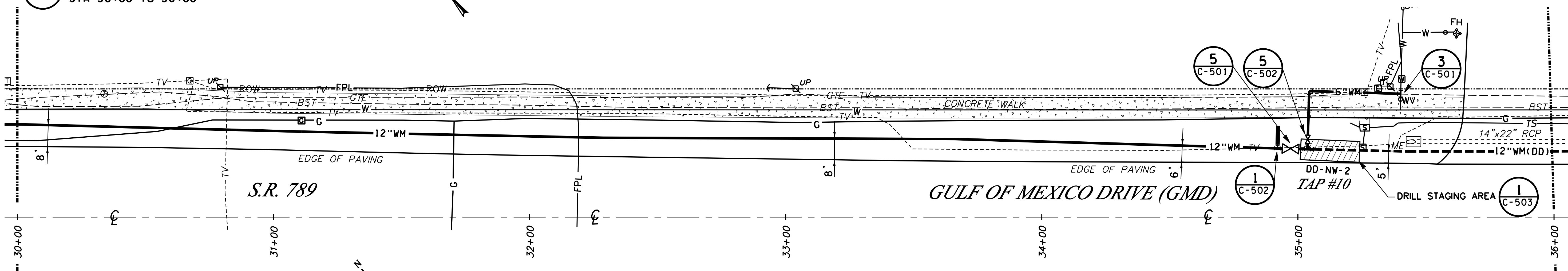
MATCHLINE - REFER C-107



1 EXISTING ROADWAY, UTILITIES AND AERIAL
STA 30+00 TO 36+00

MATCHLINE - REFER C-105

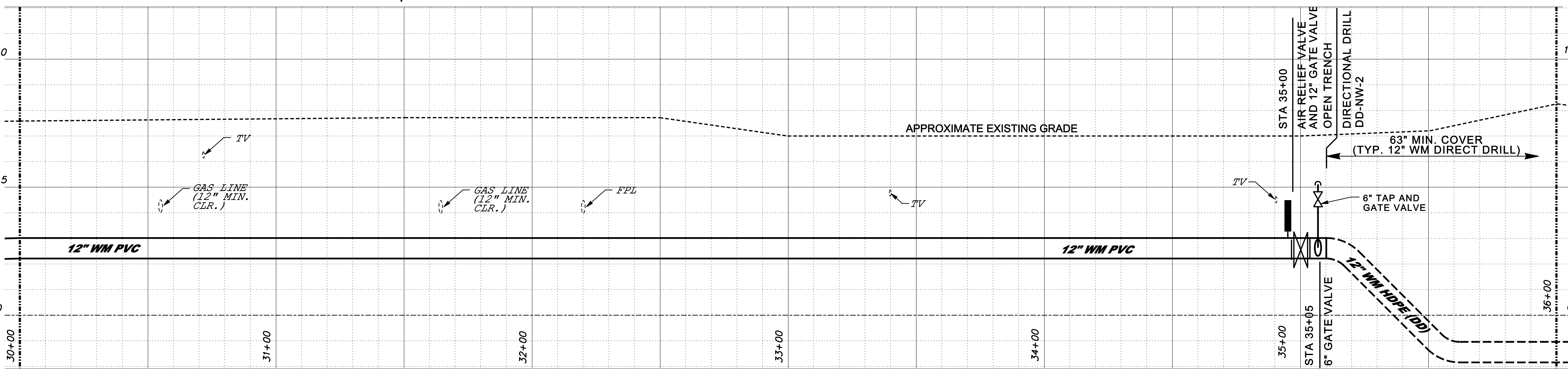
MATCHLINE - REFER C-107



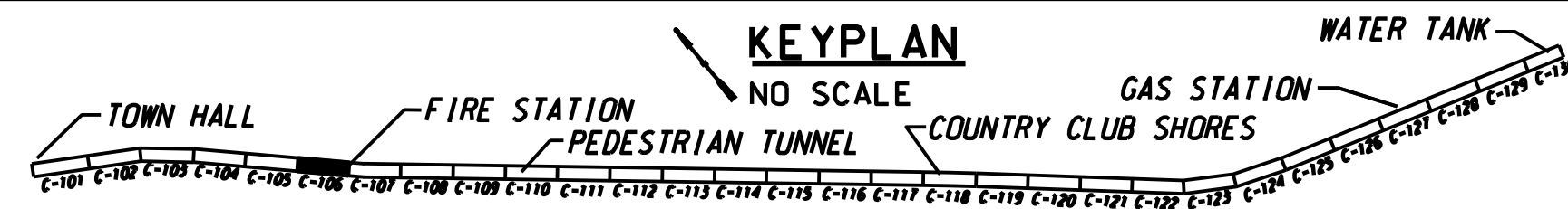
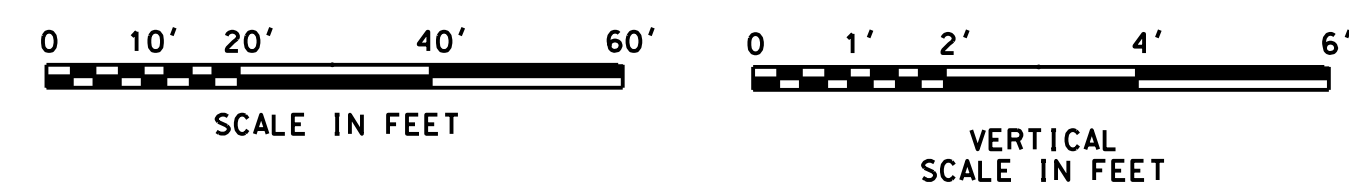
2 PROPOSED POTABLE WATERLINE PLAN
STA 30+00 TO 36+00

MATCHLINE - REFER C-105

MATCHLINE - REFER C-107



3 PROPOSED POTABLE WATERLINE PROFILE
STA 30+00 TO 36+00



PROFILE NOTE:
"FIELD VERIFY" CONNECTIONS TO EXISTING WM.
EXISTING WATER MAIN CONNECTION LOCATIONS
SHOWN ARE FOR SCHEMATIC USE ONLY.

Thomas G. Walker, P.E.
Florida PE 31462

Date:

DESIGNED BY: LSAT/GW	PROJECT MANAGER: LAURA S. ANDREWS, PE	ENGINEERING, VISIONS, INC.	UPSIZE POTABLE WATER TRANSMISSION MAIN	DRWG. NO.:	DATE
DRAWN BY: LWK	FILE NAME: LWK_WTR_C-106.DWG	FL CO# 27755 NO. 00000000000000000000 MOBILE: (941) 870-5499 PH: (941) 112-9187 FAX: (941) 412-9273	TOWN OF LONGBOAT KEY, SARASOTA COUNTY, FLORIDA	C-106	10/11/08
DATE	DATE	DATE	DATE	DATE	DATE
REVISIONS	REVISIONS	REVISIONS	REVISIONS	REVISIONS	REVISIONS