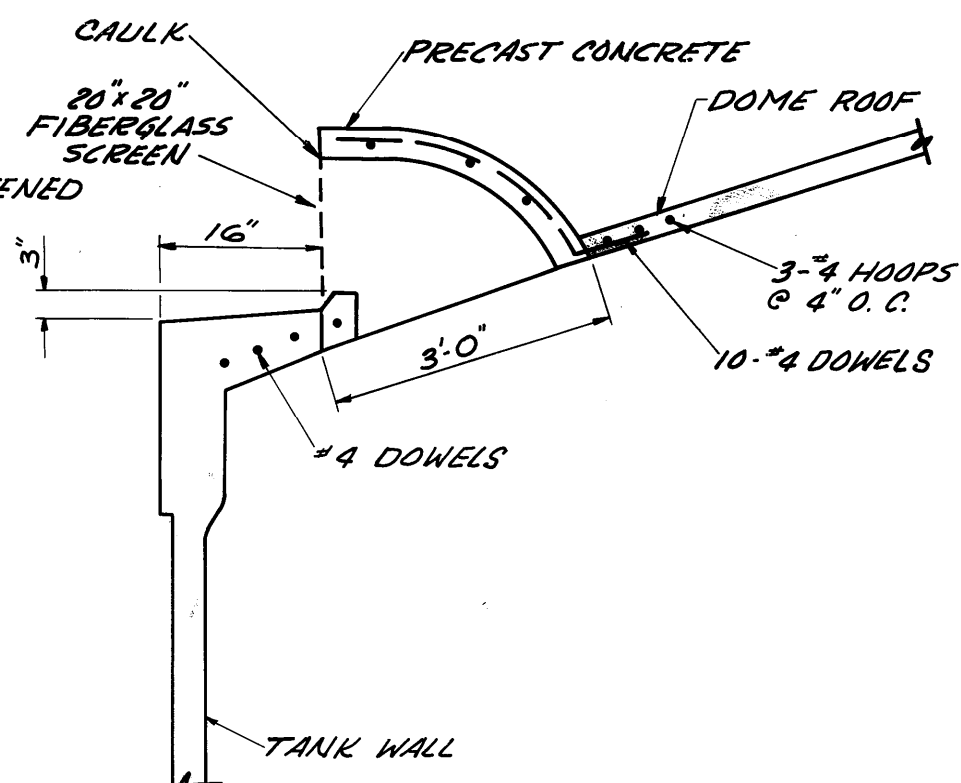
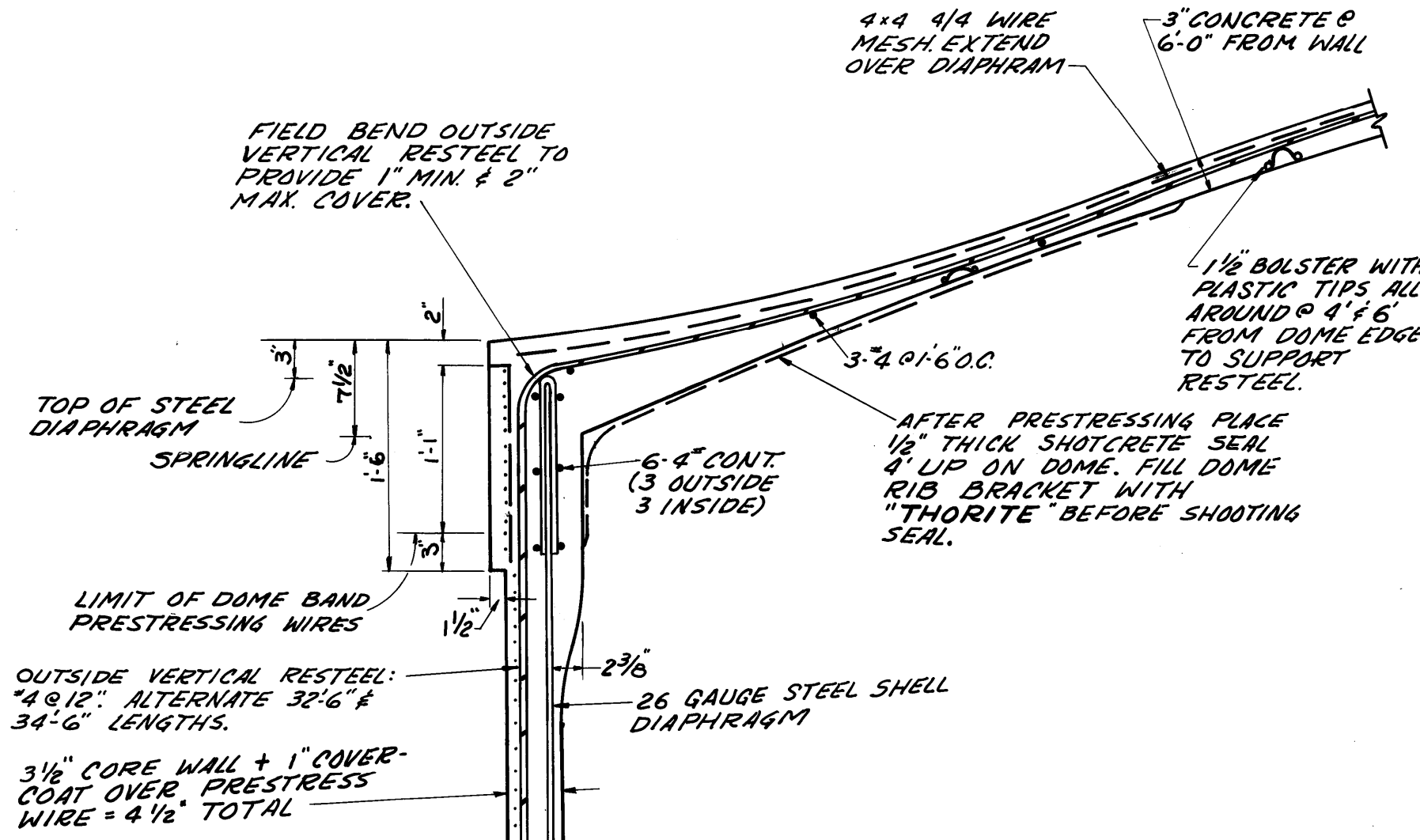


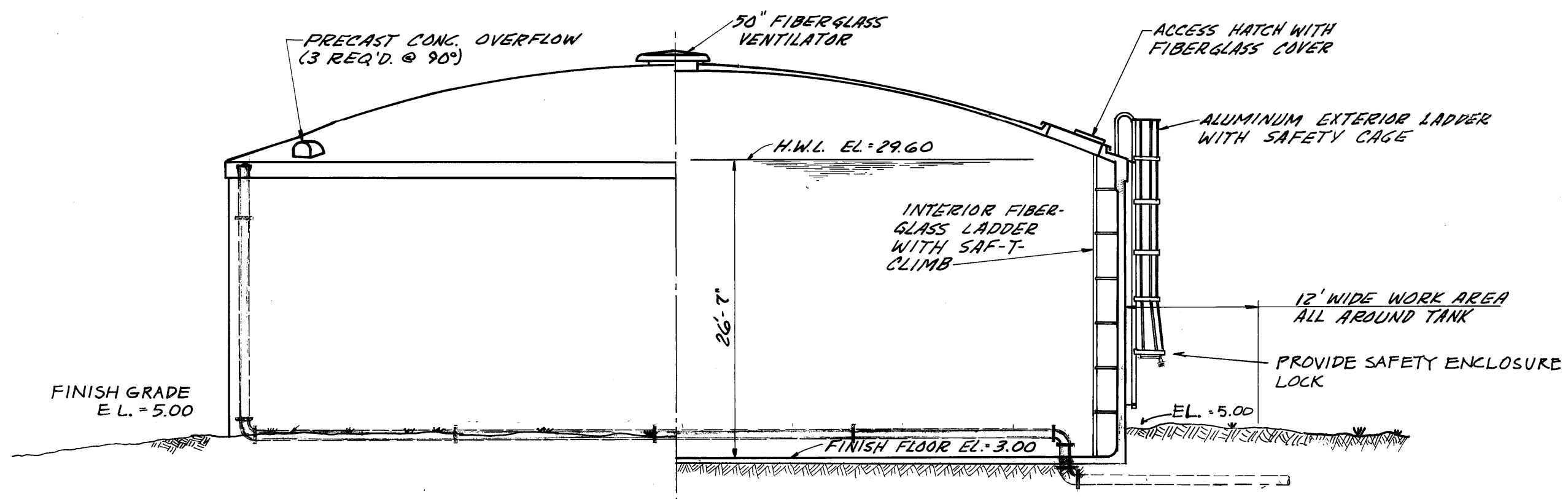
**50" FIBERGLASS VENTILATOR**  
SCALE: 1" = 2'-0"



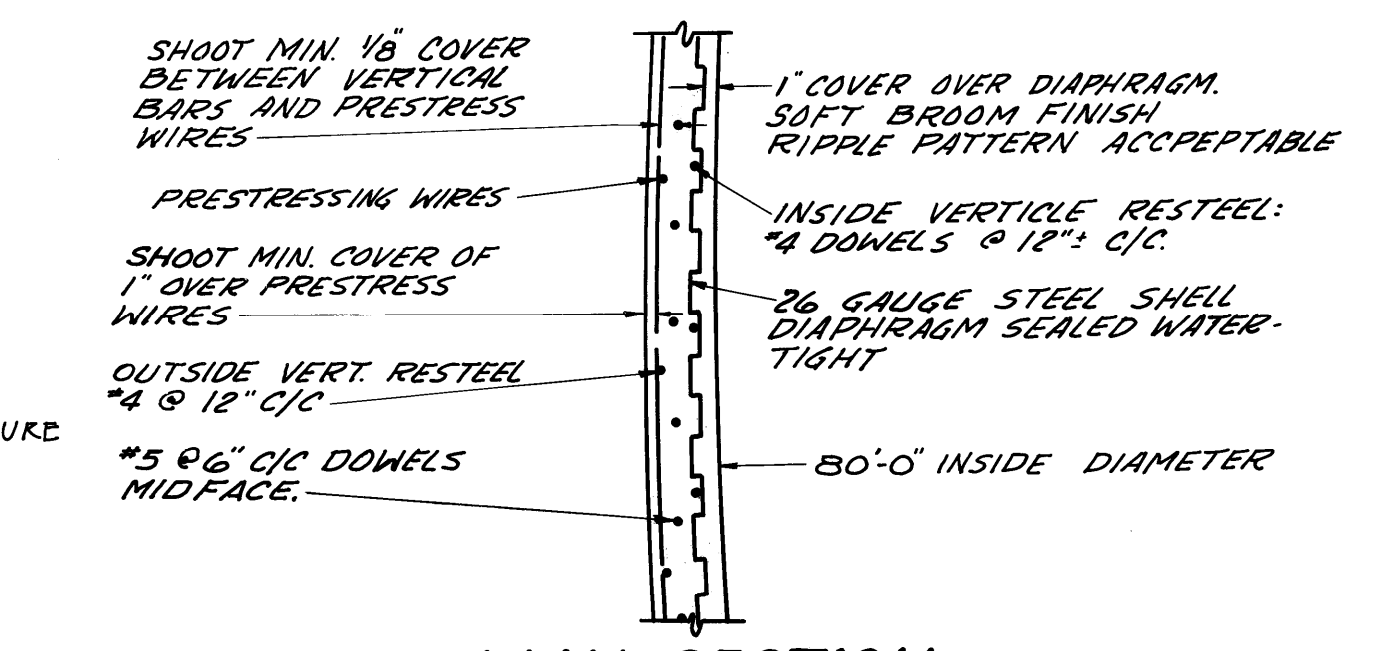
**PRECAST CONC. OVERFLOW**  
(3 REQ'D @ 90°)  
SCALE: 1" = 2'-0"



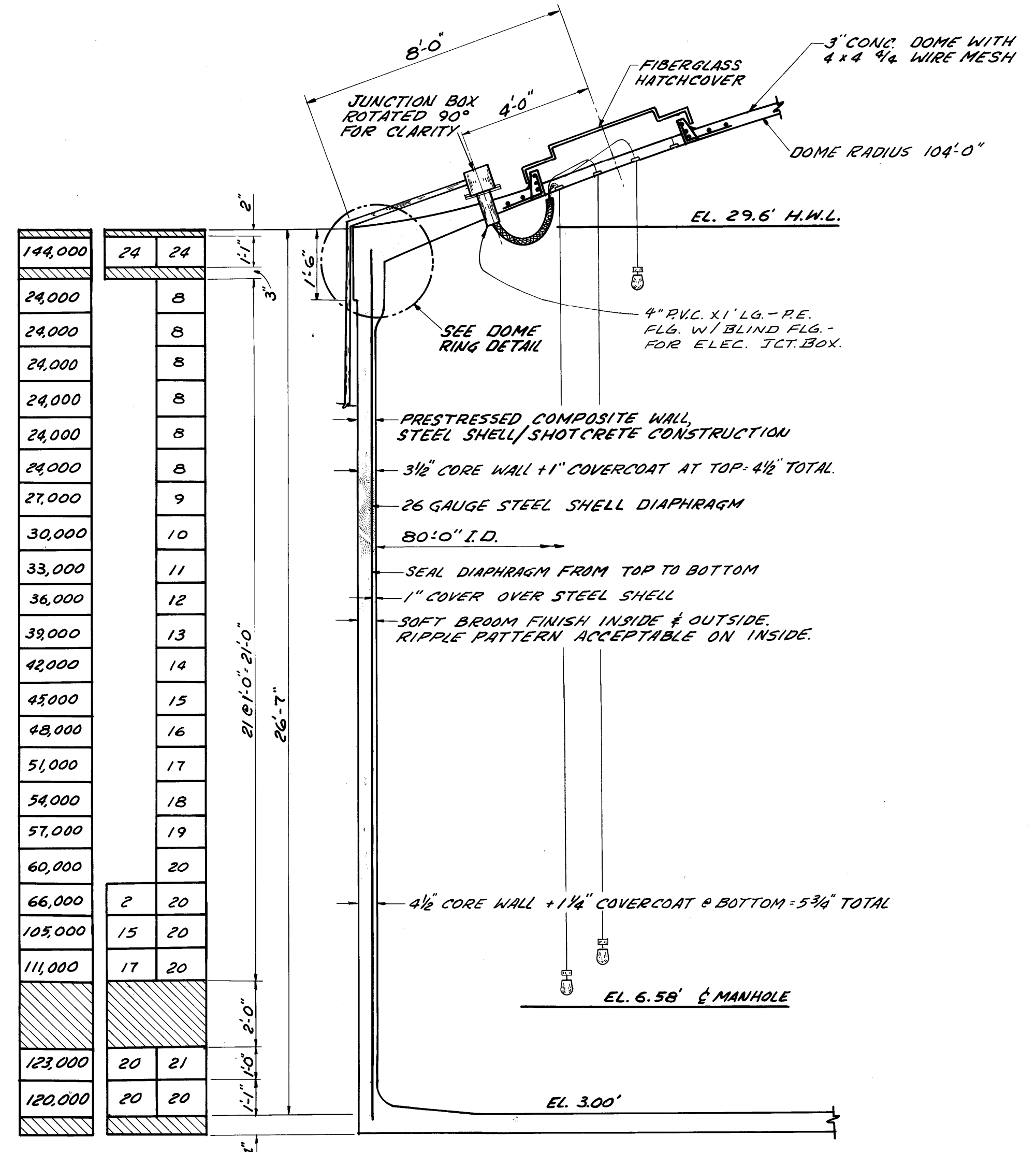
**DOME RING DETAIL**  
SCALE: 1" = 1'-0"



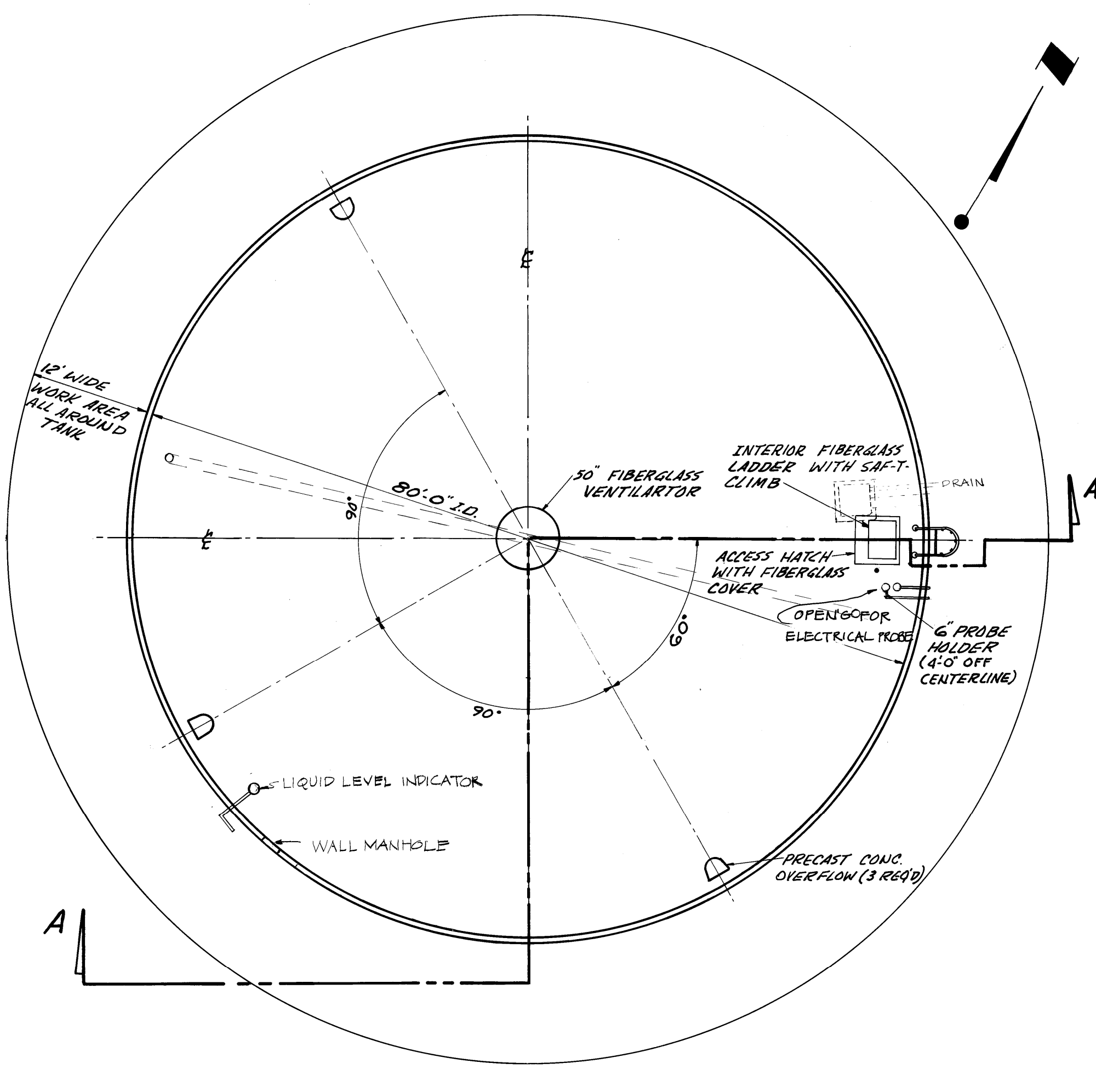
**SECTION A-A**  
SCALE: 3/32" = 1'-0"



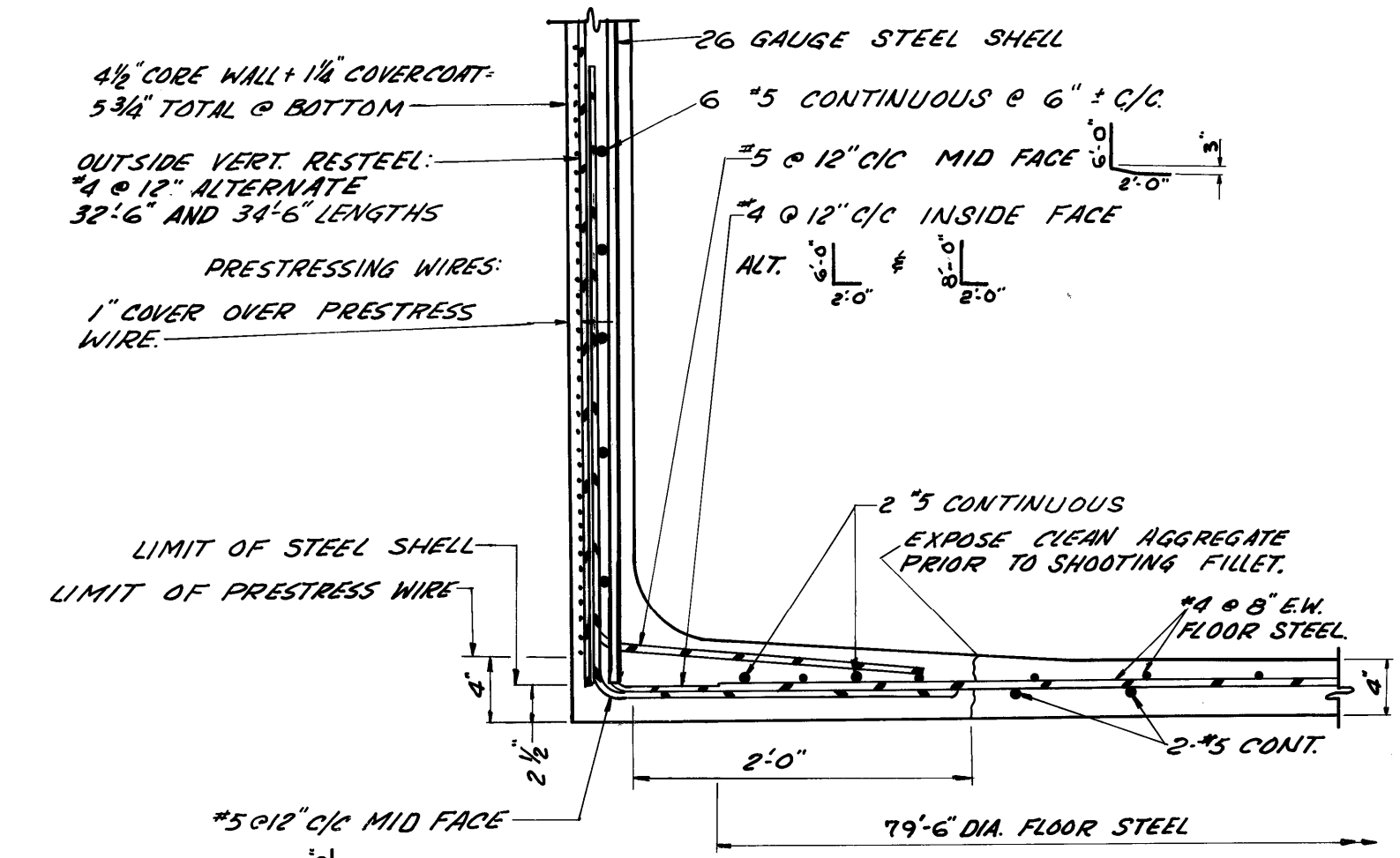
**WALL SECTION**  
SCALE: 1" = 1'-0"



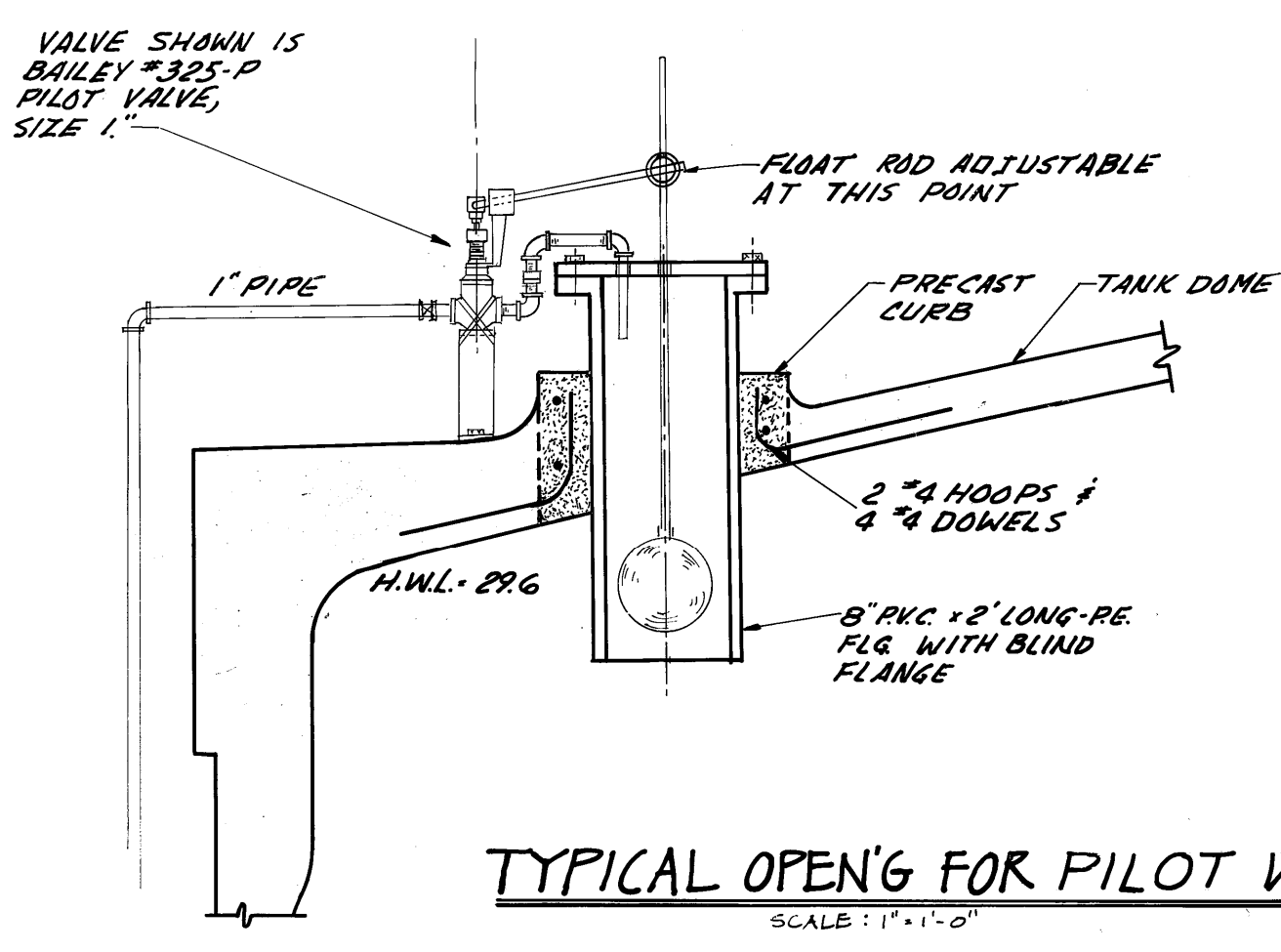
**TYPICAL WALL SECTION**  
SCALE: 1" = 3'-0"



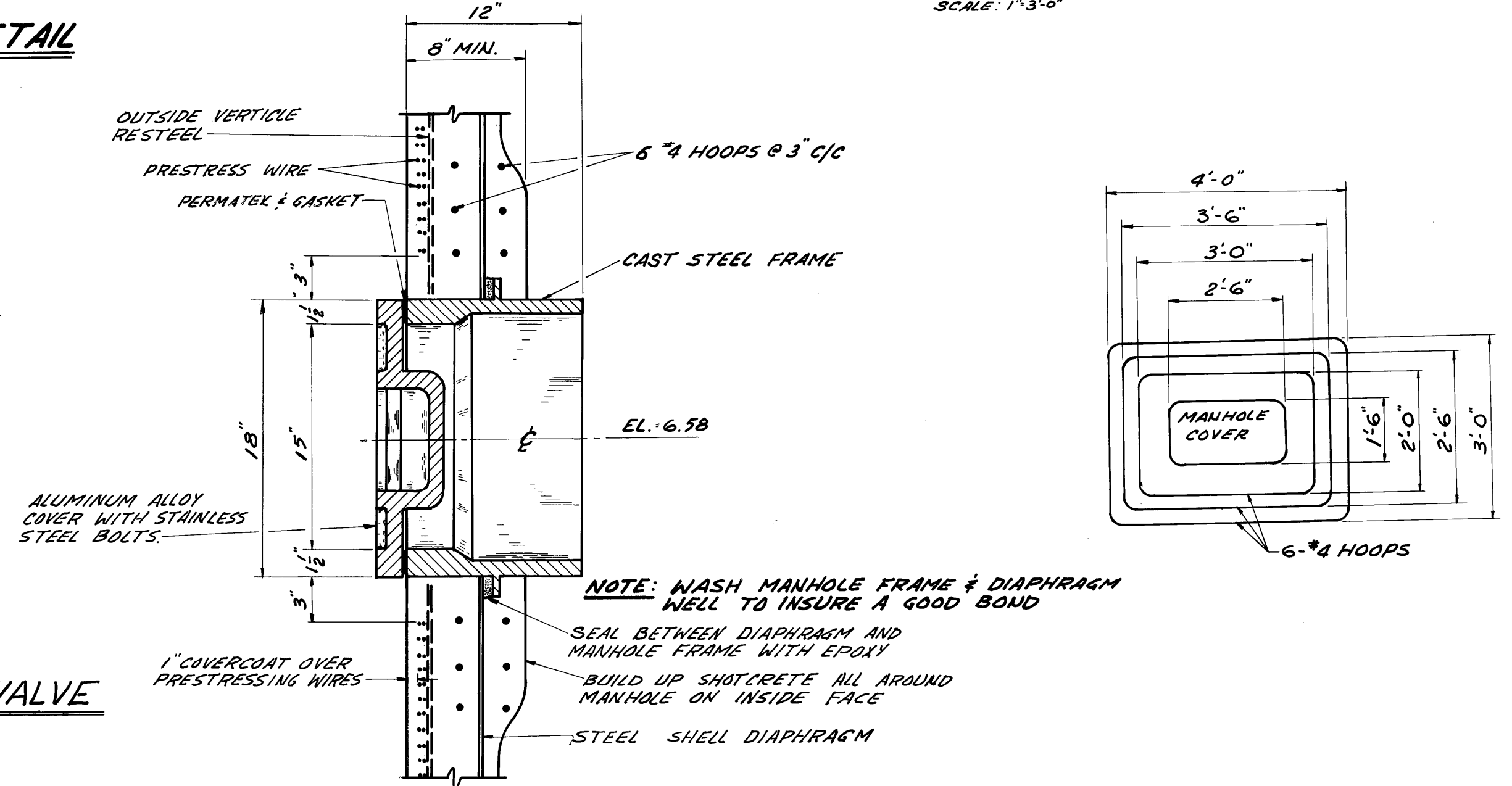
**WATER STORAGE TANK**  
SCALE: 3/32" = 1'-0"



**FLOOR WALL DETAIL**  
SCALE: 1" = 1'-0"



**TYPICAL OPEN'G FOR PILOT VALVE**  
SCALE: 1" = 1'-0"



**WALL MANHOLE DETAIL**  
1 REQ'D SCALE: 1/8" = 1'-0"

|         |    |    |        |
|---------|----|----|--------|
| 144,000 | 24 | 24 | 1'-11" |
| 24,000  | 8  |    |        |
| 24,000  | 8  |    |        |
| 24,000  | 8  |    |        |
| 24,000  | 8  |    |        |
| 24,000  | 8  |    |        |
| 27,000  | 9  |    |        |
| 30,000  | 10 |    |        |
| 33,000  | 11 |    |        |
| 36,000  | 12 |    |        |
| 39,000  | 13 |    |        |
| 42,000  | 14 |    |        |
| 45,000  | 15 |    |        |
| 48,000  | 16 |    |        |
| 51,000  | 17 |    |        |
| 54,000  | 18 |    |        |
| 57,000  | 19 |    |        |
| 60,000  | 20 |    |        |
| 66,000  | 2  | 20 |        |
| 105,000 | 15 | 20 |        |
| 111,000 | 17 | 20 |        |
| 123,000 | 20 | 21 |        |
| 120,000 | 20 | 20 |        |

DESIGNED BY PROJECT ENGINEER  
 DATE: NOV., 1978 R.F.W.  
 AS SHOWN NOV., 1978 R.F.W.  
 CHECKED BY PROJECT NO. 1658-2  
 DRAWN BY J.V.  
 M.P.W.  
 REVISION  
 L.T.R. DATE  
**TOWN OF LONGBOAT KEY, FLORIDA**  
**1 MILLION GALLON STORAGE TANK—CONST. DETAILS**  
 WATER PUMPING STATION AND STORAGE RESERVOIR  
**SMALLY, WELLFORD & NALVEN — CONSULTING ENGINEERS — SARASOTA, FLORIDA**  
 SHEET NUMBER **7**  
 REVISION  
 T.L.K. FILE NO. G-1658-2007