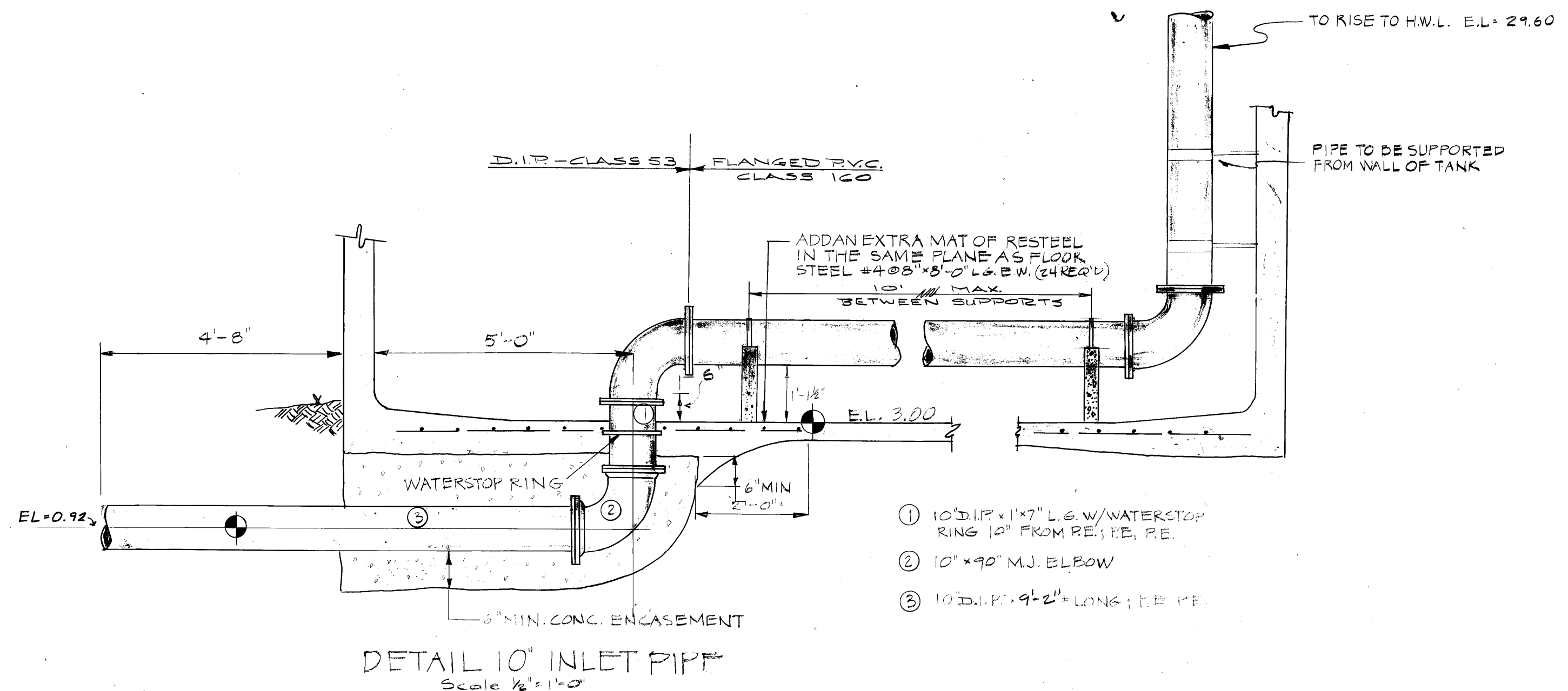
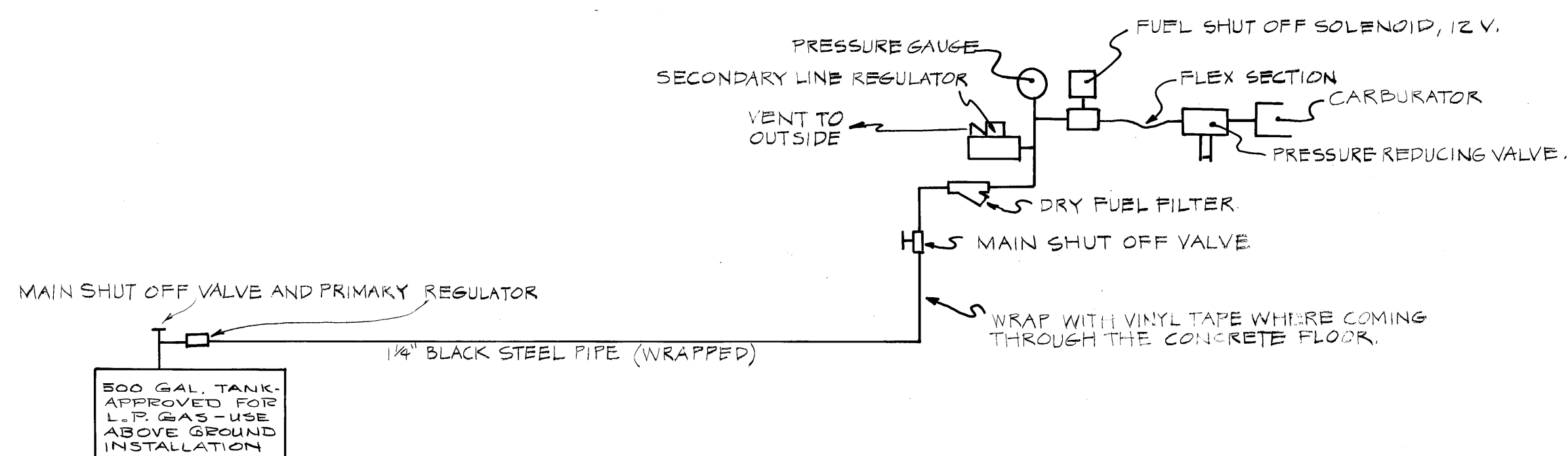


FIBERGLASS LIQUID LEVEL INDICATOR
SCALE: 3/4" = 1'-0"

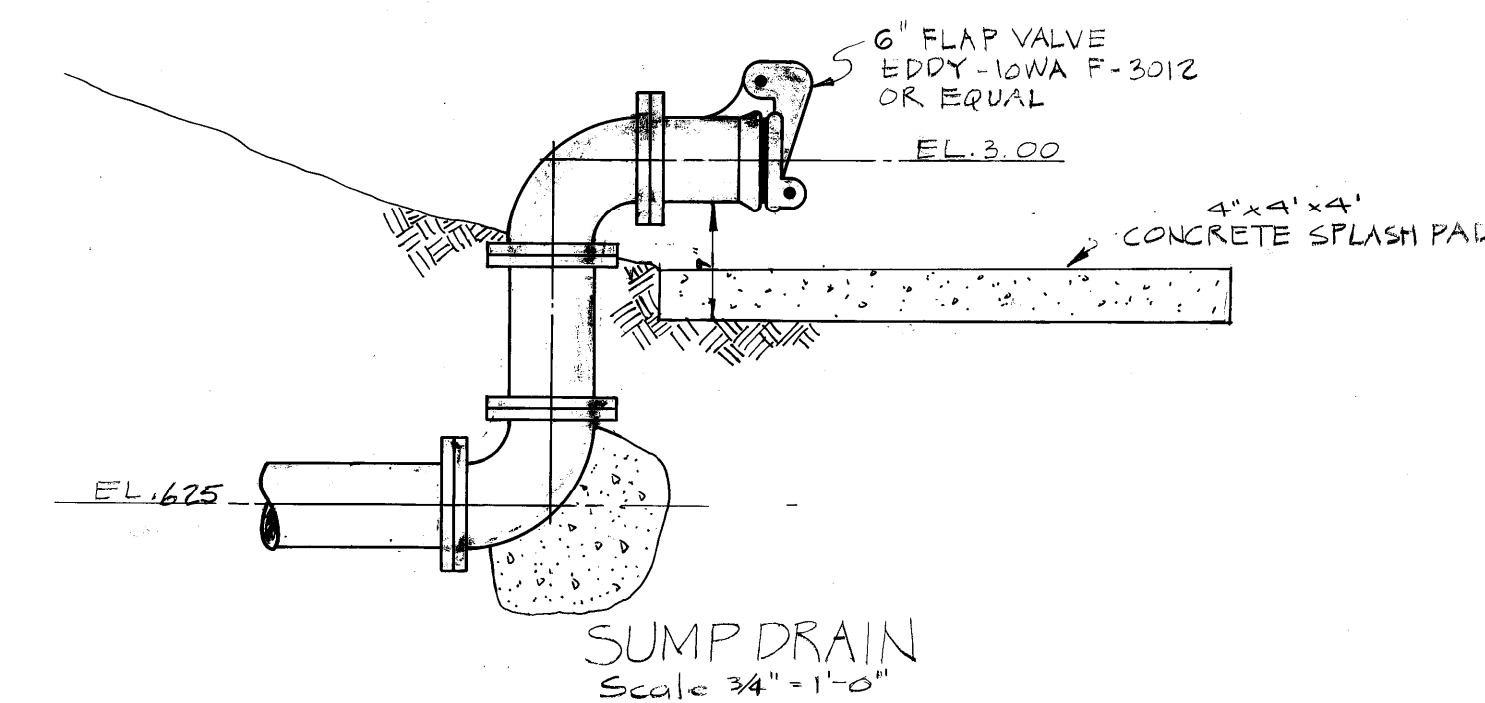


DETAIL 10" INLET PIPE
Scale 1/2" = 1'-0"

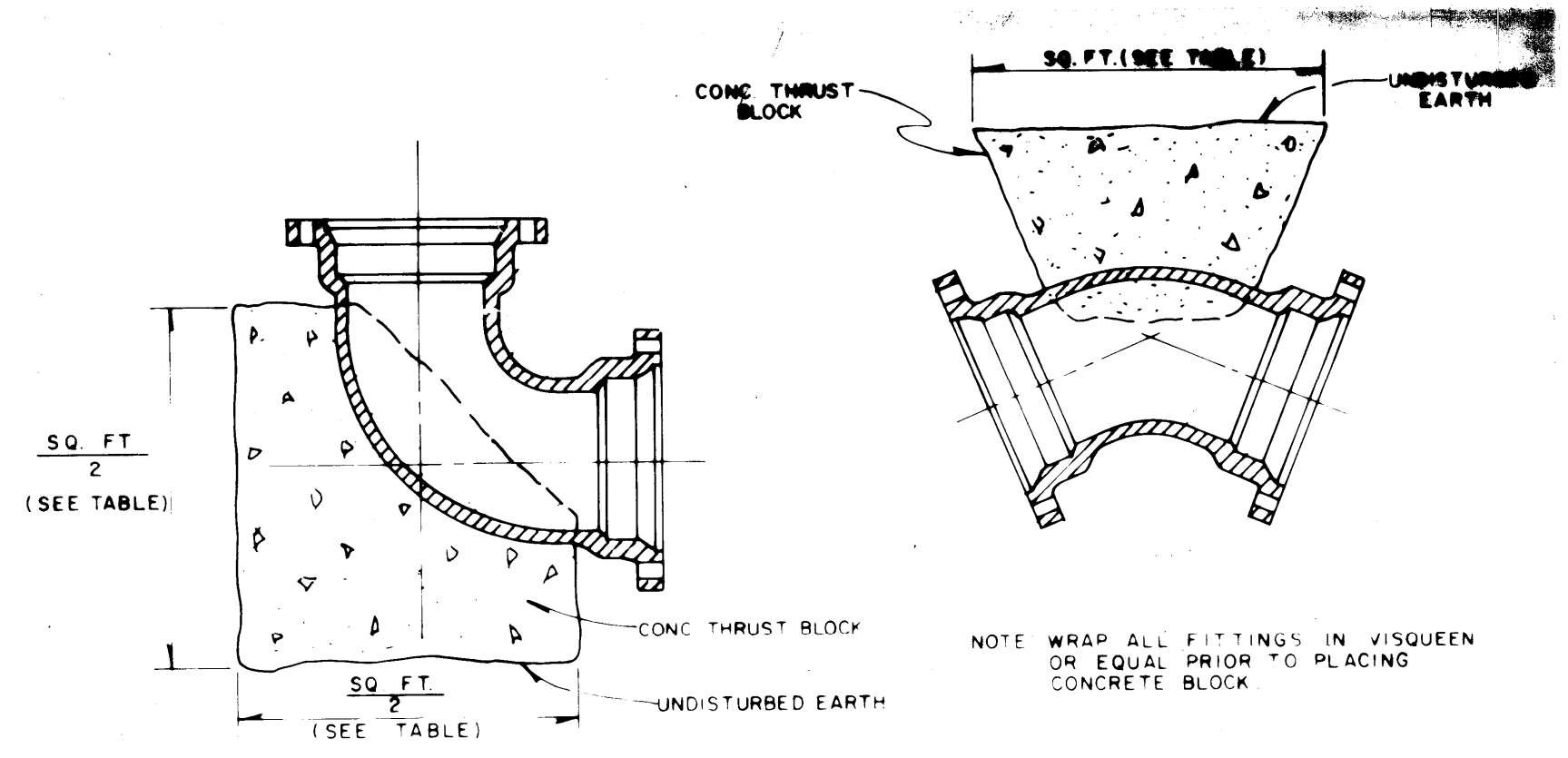


EMERGENCY GEN. FUEL PIPING SCHEMATIC
NO SCALE

ALL FITTINGS, PIPING DEVICES, ETC. TO BE MIN. 1/4" UP TO PRIMARY REGULATING VALVE FUEL PIPING SYSTEM TO BE INSTALLED IN ACCORDANCE WITH NFPA FUEL NO. 68, 30 AND 87 LATEST EDITION, AND FINAL LEAK TESTING REQ'D IN PRESENCE OF ENGINEER.

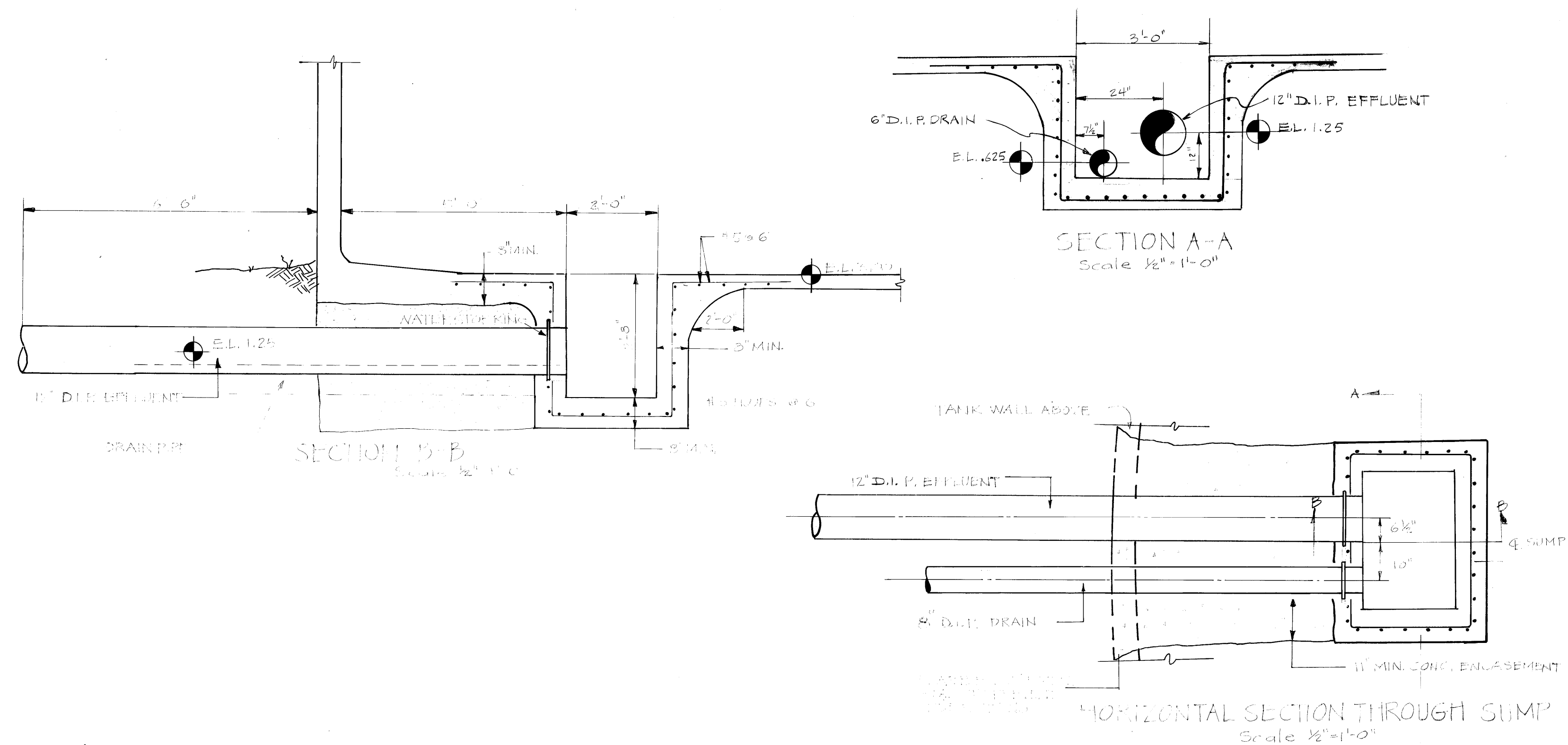


SUMP DRAIN
Scale 3/4" = 1'-0"



PIPE SIZE	THRUST BLOCK AREAS IN SQ. FEET				
	TEE	90°	45°	22-1/2°	11-1/4°
2"	2.0	1.2	0.8	0.4	0.2
3"	3.8	3.0	1.6	0.8	0.4
4"	5.6	5.4	3.0	1.6	0.8
6"	12.0	12.0	6.6	3.4	1.8
8"	19.6	22.0	11.6	6.0	3.0
10"	32.0	34.0	18.2	9.2	4.6
12"	46.0	48.0	22.6	12.2	6.6
14"	62.0	66.0	36.0	18.2	9.2
16"	80.0	85.0	46.0	24.4	12.0

100 P.S.I. TEST PRESSURE
ASSUMED SOIL BEARING CAPACITY OF 1000 LBS PER SQUARE FOOT
AREAS OF THRUST BLOCKS WILL BE ADJUSTED AS DIRECTED BY THE ENGINEER ACCORDING TO ACTUAL FIELD CONDITIONS
AREAS OF DEAD END BLOCKS SHALL BE THE SAME AS FOR TEES



SECTION A-A
Scale 1/2" = 1'-0"

SECTION B-B
Scale 1/2" = 1'-0"

HORIZONTAL SECTION THROUGH SUMP
Scale 1/2" = 1'-0"

PROJECT ENGINEER: R.F.W.
 DESIGNED BY: R.F.W.
 DATE: NOV, 1978
 CHECKED BY: J.V.
 SCALE: AS SHOWN
 DRAWN BY: G.L.P.K.
 PROJECT NO: 1658-2
 REVISION: _____
 LTR. DATE: _____
 TOWN OF LONGBOAT KEY, FLORIDA
 1 MILLION GALLON STORAGE TANK - CONST. DETAILS
 WATER PUMPING STATION AND STORAGE RESERVOIR
 SMALLY, WELLFORD & NALVEN - CONSULTING ENGINEERS - SARASOTA, FLORIDA
 SHEET NUMBER: 0
 REVISION: _____
 T.L.K. FILE NO. 07-1658-2028