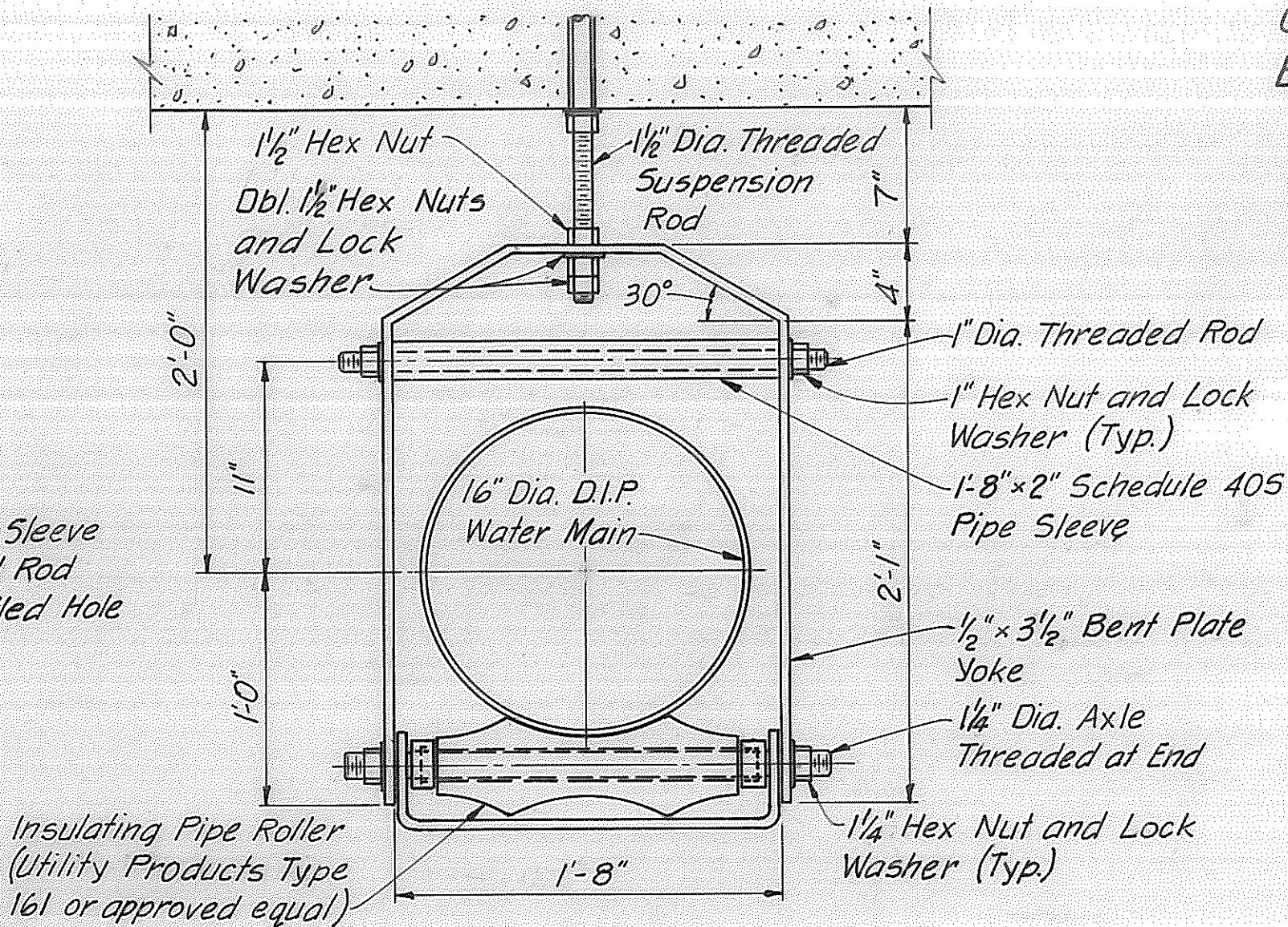


GENERAL NOTES FOR PIPE HANGERS AND PILE CAP EXTENSION PIPE SUPPORTS:

half)

0 PVC. Sleeve
Threaded Rod
Dia. Drilled Hole



ADJUSTABLE YOKE ROLLER PIPE HANGER

SCALE: 1/2" = 1'-0"

n from face of beam and edge of
e adjusted in field as directed by
void reinforcing steel in bridge

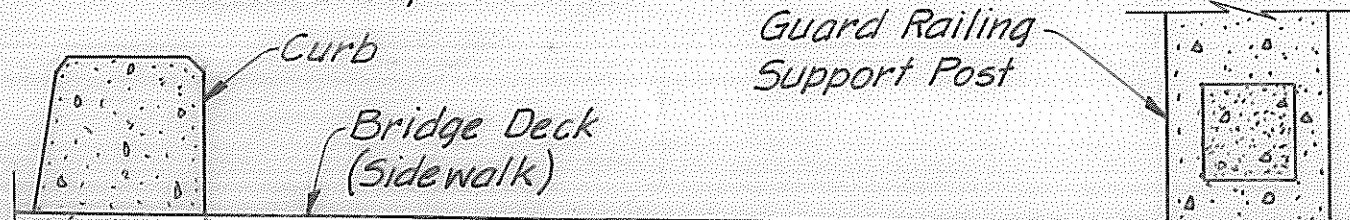
PIPER HANGER DETAILS

r to submitting

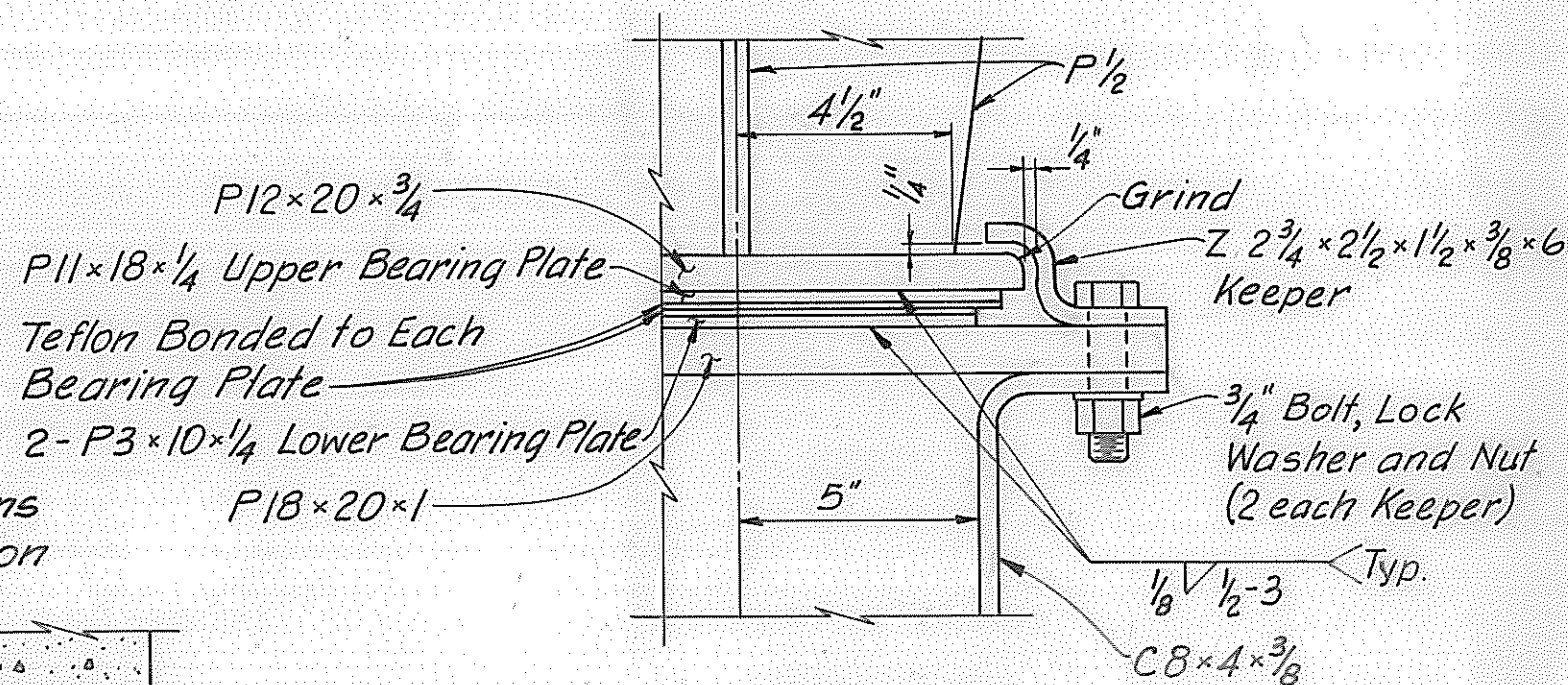
rs.

ll be 1/2"

- See Supplementary Drawing No. 1 for revisions to Pile Cap Extension Pipe Supports at Navigation Channel Departures.



- Contractor shall locate reinforcing steel in bridge deck and pile caps in accordance with the Specifications prior to fabrication or construction. Adjustments in location of hangers and capsule anchors to avoid reinforcing steel shall be as directed by the Engineer.
- The Contractor shall submit complete, detailed shop drawings for approval prior to fabrication.
- All plates, channels, anchors, angles, straps, rods, bolts, washers, nuts, pipe sleeves and other metal shall be Type 316 stainless steel conforming to the Specifications.
- All holes drilled in bridge deck shall be plumb. All holes drilled in pile caps shall be true and level. Prior to inserting "USE-Diamond" capsule anchors, all holes shall be thoroughly cleaned of all dust and loose particles with compressed air.



DETAIL "B"

SCALE: 1/4" = 1"