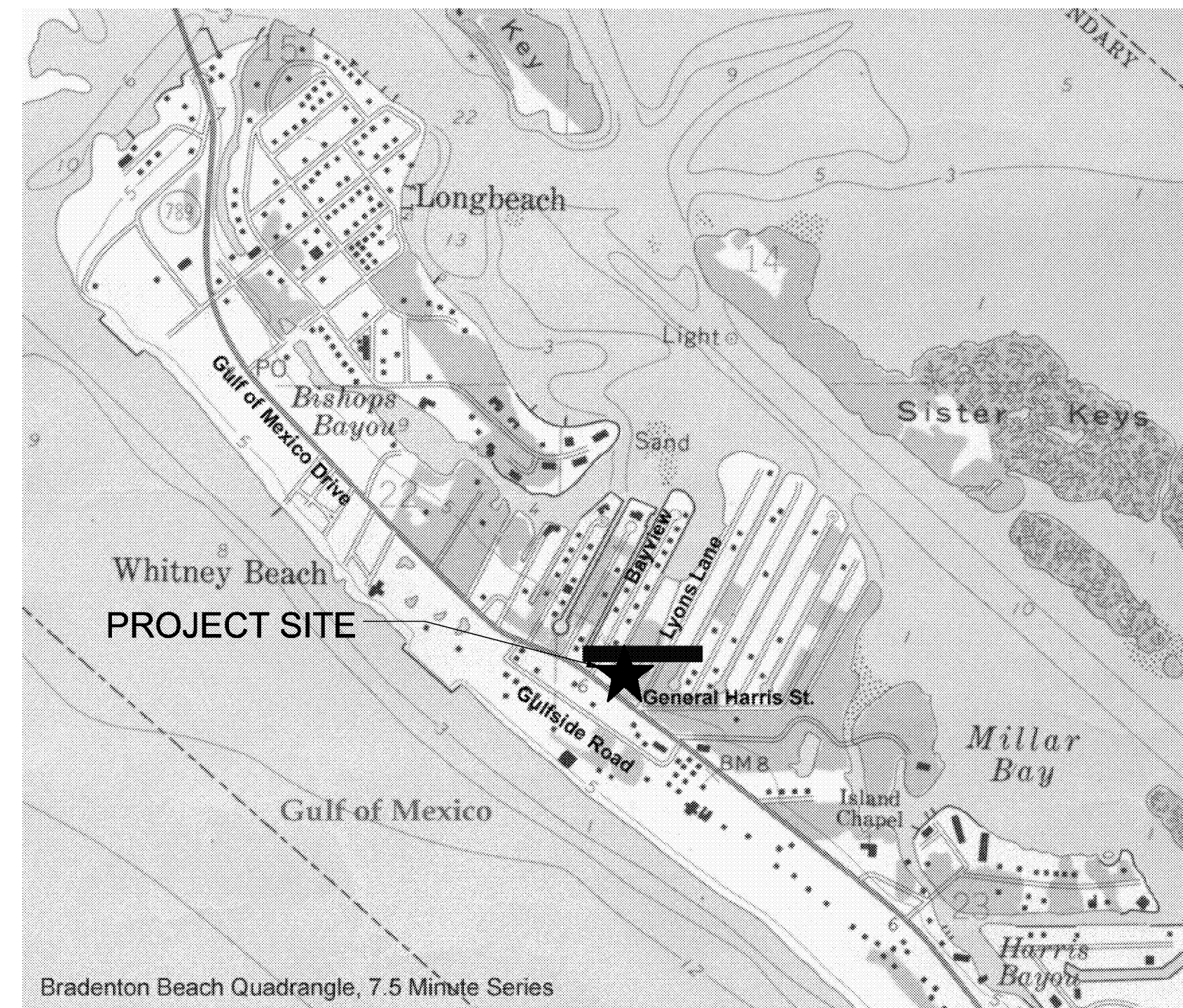


WATER SYSTEM IMPROVEMENTS FOR TOWN OF LONGBOAT KEY, FLORIDA



INDEX OF SHEETS

SHEET	TITLE
GENERAL	
	COVER
G-1	GENERAL NOTES, LEGEND AND ABBREVIATIONS
CIVIL	
C-1	EXISTING SITE SURVEY
C-2	SITE PLAN
STRUCTURAL	
S-1	IN-LINE WATER BOOSTER PLANS, SECTIONS AND DETAILS
MECHANICAL	
M-1	EXISTING INLINE WATER BOOSTER STATION NO. 3-DEMOLITION
M-2	INLINE WATER BOOSTER STATION NO. 3-MODIFICATIONS
MD-1	MISCELLANEOUS DETAILS
ELETRICAL	
E-1	SITE PLAN
E-2	POWER AND CONTROL DIAGRAMS
E-3	PUMP VAULT PLAN AND EQUIPMENT RACK DETAILS



SITE LOCATION MAP
NTS

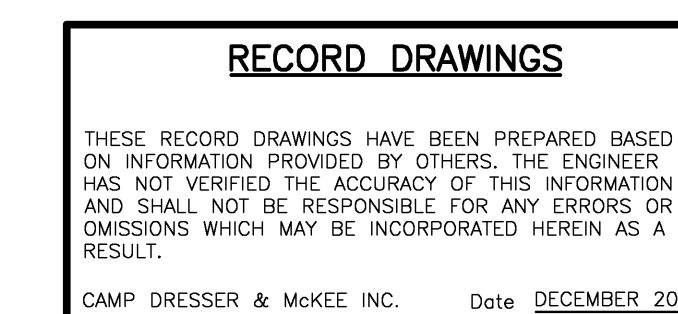
INLINE WATER BOOSTER STATION IMPROVEMENTS

JUNE 2005

CAMP DRESSER & McKEE INC.

12501 WORLD PLAZA LANE, BUILDING 51
FT. MYERS, FL 33097
TEL: 239-938-9600
FL. CERT. OF AUTHORIZATION NO. 20

PROJECT NUMBER: 2790-40654



RECORD DRAWING

consulting
engineering
construction

CDM

ABBREVIATIONS

GENERAL	SYMBOLS	GENERAL (CONT.)	SYMBOLS
ADJUSTABLE	ADJ	WATER	WTR.
ALUMINUM	AL., ALUM.	WATER LEVEL	WL
ANGLE	<	WATER MAIN	WM
BARE ROOT	BR	WEATHERPROOF	WPF.
BELOW	BEL	WEST	W.
BENCHMARK	BM	WITH	W/
BETWEEN	BTWN.		
CENTER LINE	C _C		
CENTER TO CENTER	C.C.		
CORRUGATED METAL PIPE	CMP		
CONCRETE	CONC		
CENTER (ED)	CTR		
DEMOLITION	DEMO		
DIAMETER	DIA., DIAM.		
DIAGONAL	DIAG.		
DIMENSION	DIM.		
DISCHARGE	DISCH		
DRAWING	DWG.		
EACH	EA.		
ELEVATION	EL., ELEV.		
EFFLUENT	EFF.		
EDGE OF PAVEMENT	EOP		
EXISTING	EXIST.		
FURNISHED BY OTHERS	FBO		
FINISH	FIN.		
FLOOR	FL.		
FEET/FOOT	FT		
HIGH	H.		
HIGH POINT	H.P.		
HEIGHT	HT		
INFLUENT	INFL.		
LONG	LG.		
LOW POINT	L.P.		
MATERIAL	MTL.		
MANUFACTURING	MFG.		
MANUFACTURER	MFR.		
MAXIMUM	MAX.		
MECHANICAL	MECH.		
METAL	MET.		
MINIMUM	MIN.		
MOUNTED	MTD.		
MUD VALVE	MV		
NATIONAL ELECTRIC CODE	NEC		
NOMINAL	NOM.		
NOT TO SCALE	N.T.S.		
NUMBER	NO.		
ON CENTER	O.C.		
OPTION	OPT.		
OPPOSITE	OPP.		
OPENING	OPNG		
OR EQUAL	O/E.		
OUTSIDE CLEARANCE	O.C.		
PERFORATED	PERF		
PIECE	PC.		
POINT	PT.		
POUND(S)	LB(S).		
PLATE	PL.		
PRECAST	PRCST		
PRIMARY EFFLUENT	PEFL		
RADIUS	RAD., R.		
REINFORCED CONCRETE PIPE	RCP		
REQUIRED	REQ'D		
RIGHT OF WAY	R/W		
ROOM	RM.		
SCHEDULE	SCH		
SQUARE	SQ.		
STAINLESS STEEL	S.S.		
SIDEWALK	SDWK.		
SHEET	SH., SHT.		
SYMMETRICAL	SYMM.		
SECTION	SEC.		
STANDARD	ST'D		
STEEL	STL.		
THICK	THK.		
TYPICAL	TYP.		
TEMPORARY	TEMP.		
THREADED	THD.		
UTILITY EASEMENT	U.E.		
UNDERGROUND ELECTRIC CONDUIT	U.E.C.		
VERTICAL	VERT.		

VALVES, FITTINGS, ETC.

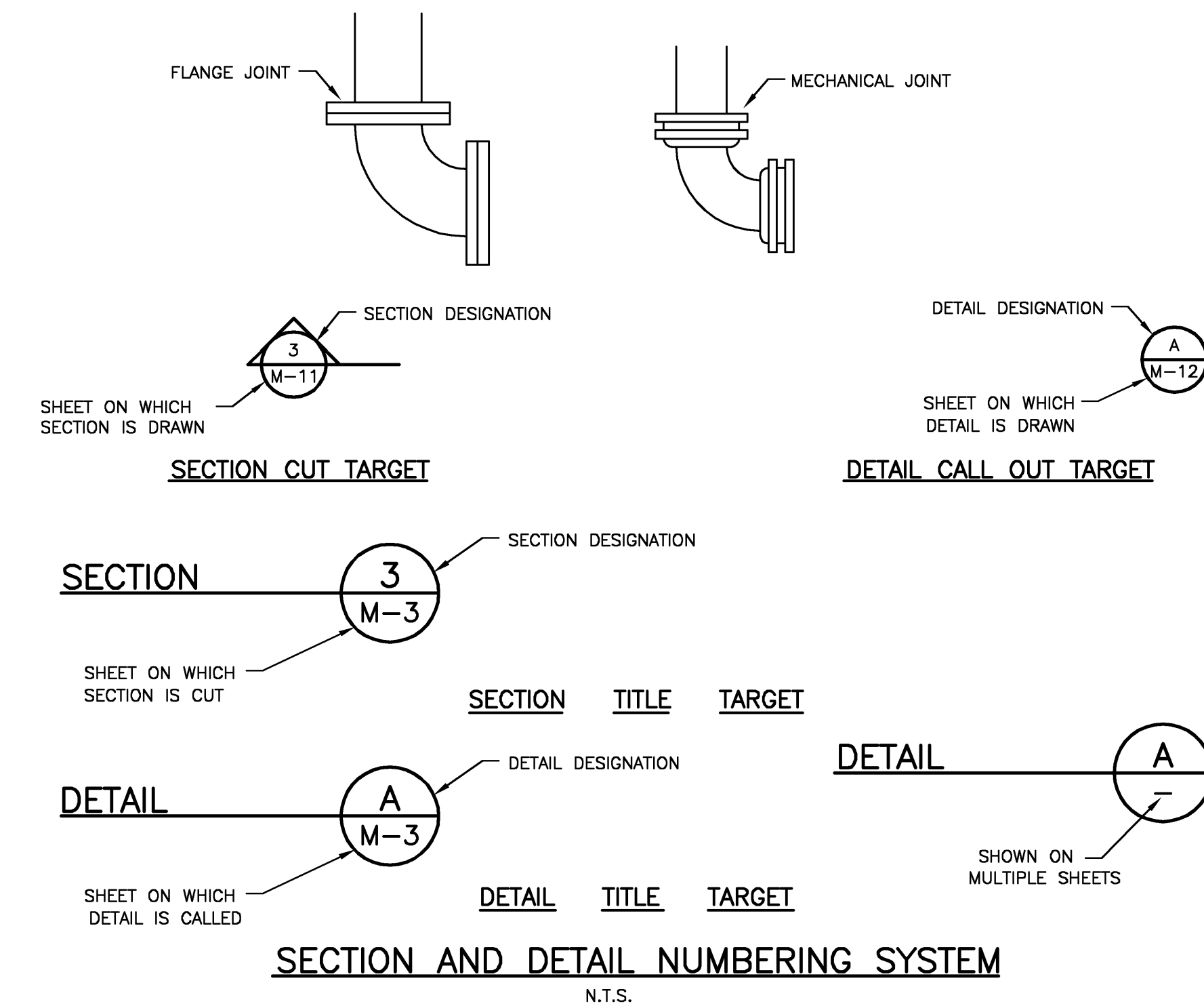
AIR CUSHION CHECK VALVE	ACCV
AIR RELIEF VALVE	ARV
BALL CHECK VALVE	BCV
BALL VALVE	BAV
BLIND FLANGE	B.F.
BURIED GEAR OPERATOR	BO
BUTTERFLY VALVE	BV
CHECK VALVE	CV
ELECTRIC VALVE ACTUATOR	EVA
ELEVATED GEAR OPERATOR	EO
EXPANSION JOINT	EXJ
FIRE HYDRANT	FH
FITTINGS	FTG
FLANGED ADAPTER	FA
FLEXIBLE COUPLING	FC
FLOOR BOX (BUSHING TYPE)	FB
FLOOR STAND	FS
GATE VALVE	GV
HARNESSED FLANGE ADAPTER COUPLING	HFAC
HOSE BIBB	HB
HYDRAULIC VALVE ACTUATOR	HVA
MECHANICAL JOINT PLUG	MJP
PLASTIC BALL VALVE	PBV
PLASTIC CHECK VALVE	PCV
PLUG VALVE	PV
PRESSURE CONTROL VALVE	PCV
SILENT CHECK VALVE	SCV
SLANTING DISC CHECK VALVE	SDCV
UNION	UN
VALVE BOX	VB
VICTAULIC COUPLING (GROOVED ENDS)	VC (G)
VICTAULIC COUPLING (SHOULDERED ENDS)	VC (S)
WALL SLEEVE	WS
WALL PIECE (WITH WATER STOP)	WAP

PIPE

ASBESTOS CEMENT PIPE	ACP
BLACK STEEL PIPE	BSP
CAST IRON	CI
CAST IRON PIPE	CIP
CAST IRON SOIL PIPE	CISP
CONCRETE PRESSURE PIPE	CPP
COPPER PIPE	CU
CORRUGATED METAL PIPE	CMP
DUCTILE IRON PIPE	DIP
DUCTILE IRON	DI
FIBERGLASS REINFORCED PIPE	FRP
FLANGE	FLG
GALVANIZED STEEL PIPE	GSP
MECHANICAL JOINT	MJ
METAL REINFORCED PLASTIC PIPE	MRPP
POLYETHYLENE PIPE	PP
POLYVINYLCHLORIDE	PVC
REINFORCED CONCRETE PIPE	RCP
RESTRAINED JOINT	RJ
SLIP-ON JOINT	SJ
STEEL PIPE	SP
TIED JOINT	TJ
VITRIFIED CLAY PIPE	VCP

LEGEND

	NEW MAIN THIS PROJECT		NEW MAIN TO BE CONST. UNDER EXISTING UTILITY
	EXISTING WATER MAIN		NEW MAIN TO BE CONST. OVER EXISTING UTILITY
	EXISTING RAW WATER MAIN		EXISTING POWER POLE
	EXISTING SANITARY SEWER W/ MANHOLE		EXISTING LIGHT POLE
	EXISTING FORCE MAIN		SOIL BORING
	EXISTING BURIED TELEPHONE		BENCH MARK
	EXISTING POWER DUCTS OR CABLES		EXISTING CHAIN LINK FENCE
	OVERHEAD POWER		NEW CHAIN LINK FENCE
	EXISTING CABLE TELEVISION		EXISTING CONTOUR
	EXISTING STORM SEWER W/CATCH BASIN		PROPOSED CONTOUR
	FIRE HYDRANT		EXISTING SPOT ELEVATION
	R/W - RIGHT OF WAY		PROPOSED SPOT ELEVATION
	ℙ - PROPERTY LINE		NEW STRUCTURES



SECTION AND DETAIL NUMBERING SYSTEM

N.T.S.

THE ELECTRONIC DATA FILE(S) ("DATA FILES") CONTAINED HEREIN IS/ARE PROVIDED BY CAMP DRESSER & MCKEE INC. ("CDM") EXPRESSLY SUBJECT TO THE FOLLOWING TERMS AND CONDITIONS:

1. THE INFORMATION CONTAINED ON THE ELECTRONIC MEDIA IS CONSIDERED A CHARACTERIZATION OF CDM'S ORIGINAL WORK AND ACCURATELY REFLECTS SUCH WORK AT THE TIME THIS ELECTRONIC MEDIA WAS DELIVERED BY CDM TO THE PERSON OR ENTITY ACQUIRING DATA FILES DIRECTLY FROM CDM ("RECEIVER"). RECEIVER AGREES THAT DATA FILES SHALL NOT BE USED ON OTHER PROJECTS NOR TRANSFERRED TO ANY OTHER PARTY EXCEPT BY WRITTEN AGREEMENT WITH CDM. USE OF SUCH DATA FILES IS AT THE USER'S SOLE RISK AND WITHOUT LIABILITY OR LEGAL EXPOSURE TO CDM.

2. CDM SHALL NOT BE LIABLE FOR CLAIMS, LIABILITIES OR LOSSES ARISING OUT OF OR CONNECTED WITH (1) MODIFICATION OR MISUSE BY RECEIVER OR ANYONE AUTHORIZED BY RECEIVER OF DATA FILES; OR (2) DECLINE IN ACCURACY OF INFORMATION OR SCALE OR READABILITY OF DATA FILES; OR (3) ANY USE BY RECEIVER, OR ANYONE AUTHORIZED BY RECEIVER, OF DATA FILES FOR ADDITIONS TO THIS PROJECT, EXCEPTING ONLY SUCH AS IS AUTHORIZED IN WRITING BY CDM. RECEIVER AGREES TO DEFEND, INDEMNIFY AND HOLD HARMLESS CDM FROM AND AGAINST ANY AND ALL CLAIMS, DEMANDS, CAUSES OF ACTION, DAMAGES AND LIABILITY RESULTING FROM MODIFICATION, USE OR MISUSES OF DATA FILES.

3. CDM TRANSFERS THESE DATA FILES AS IS. CDM MAKES NO EXPRESS OR IMPLIED WARRANTY, INCLUDING, BUT NOT LIMITED TO, MERCHANTABILITY, FITNESS OR SUITABILITY OF DATA FILES FOR ANY PARTICULAR PURPOSE WHATSOEVER. CDM MAKES NO EXPRESS OR IMPLIED WARRANTY AS TO THE ACCURACY OF DATA IN THE FILES FOR ANY PURPOSE WHATSOEVER.

4. IT SHALL BE RECEIVER'S RESPONSIBILITY TO DETERMINE THE COMPATIBILITY OF DATA FILES WITH THE RECEIVER'S COMPUTER SOFTWARE AND HARDWARE. USE OF DATA FILES CONSTITUTES THE AGREEMENT OF THE RECEIVER (OR ANY OTHER USER) TO THESE TERMS AND CONDITIONS.

5. CDM'S TOTAL LIABILITY TO RECEIVER OR ANYONE AUTHORIZED BY RECEIVER OR DATA FILES FOR ANY AND ALL INJURIES, CLAIMS, LOSSES, EXPENSES OR DAMAGES WHATSOEVER FROM ANY CAUSE OR CAUSES, INCLUDING, BUT NOT LIMITED TO, CDM'S NEGLIGENCE, STRICT LIABILITY OR BREACH OF CONTRACT OR BREACH OF WARRANTY.

GENERAL NOTES

- LOCATIONS, ELEVATIONS AND DIMENSION OF EXISTING UTILITIES STRUCTURES AND OTHER FEATURES ARE SHOWN ACCORDING TO THE BEST INFORMATION AVAILABLE AT THE TIME OF PREPARATION OF THESE PLANS. BUT DO NOT PURPORT TO BE ABSOLUTELY CORRECT. PRIOR TO CONSTRUCTION, THE CONTRACTOR SHALL VERIFY AND AGREE TO BE FULLY RESPONSIBLE FOR ANY AND ALL DAMAGES WHICH MIGHT BE OCCASIONED BY HIS FAILURE TO EXACTLY LOCATE AND PRESERVE ANY AND ALL EXISTING UTILITIES, STRUCTURES, AND OTHER FEATURES AFFECTING HIS WORK. ANYTHING NOT SHOWN ON THESE DRAWINGS SHOULD BE BROUGHT TO THE ATTENTION OF THE ENGINEER AND SHALL NOT CONSTITUTE AN EXTRA, UNLESS APPROVED BY THE ENGINEER.
 - THE CONTRACTOR SHALL CONTACT THE ENGINEER'S OFFICE IMMEDIATELY CONCERNING ANY CONFLICTS ARISING DURING CONSTRUCTION OF ANY IMPROVEMENTS SHOWN ON THESE DRAWINGS.
 - LOCATION OF EXISTING UTILITIES ARE APPROXIMATE, USING THE BEST AVAILABLE INFORMATION AT THE TIME OF PREPARATION OF THE CONTRACT DOCUMENTS. THE CONTRACTOR SHALL VERIFY ALL UTILITIES AND PROVIDED AT LEAST 48 HOURS NOTICE TO THE INDIVIDUAL UTILITY COMPANIES PRIOR TO CONSTRUCTION. CONTACT SUNSHINE CENTER AT 1-800-432-4770.
- FLORIDA POWER & LIGHT
5657 SOUTH MCINTOSH RD.
SARASOTA, FL 34233
(941) 927-4216
CONTACT: SHANNON WRITE
- TECO PEOPLES GAS
SARASOTA ENGINEERING
8261 VICO COURT
SARASOTA, FL 34240
(877) 832-6747
CONTACT: TED FELAGEE
- VERIZON
1701 BRINGLING BLVD.
SARASOTA, FL 34236
(941) 952-5332
CONTACT: BRYAN LANTZ
- COMCAST CABLE
5205 FRUITVILLE RD.
SARASOTA, FL 34232
(941) 342-3577
CONTACT: PHIL BELANGER
- TOWN OF LONGBOAT KEY
PUBLIC WORKS DEPARTMENT
600 GENERAL HARRIS STREET
LONGBOAT KEY, FL 34228
(941) 316-1958
CONTACT: KEVIN WEBB
- ALL JOINTS SHALL BE RESTRAINED IN ACCORDANCE WITH THE SPECIFICATIONS AND AS SHOWN ON THE DRAWINGS.
 - ALL UNDERGROUND FITTINGS FOR PVC/D.I. SHALL BE DUCTILE IRON, WITH MECHANICAL JOINTS WITH HIGH STRENGTH CORROSION RESISTANT ALLOY T-HEAD BOLTS, EQUAL TO "CORTEN". SUBJECT TO THE APPROVAL OF THE ENGINEER.
 - THE INFORMATION PROVIDED IN THESE PLANS IS SOLELY TO ASSIST THE CONTRACTOR IN ASSESSING THE NATURE AND EXTENT OF CONDITIONS WHICH MAY BE ENCOUNTERED DURING THE COURSE OF THE WORK. ALL CONTRACTORS ARE DIRECTED, PRIOR TO BIDDING, TO CONDUCT WHATEVER INVESTIGATIONS THEY MAY DEEM NECESSARY TO ARRIVE AT THEIR OWN CONCLUSION REGARDING THE ACTUAL CONDITIONS THAT WILL BE ENCOUNTERED, AND UPON WHICH THEIR BIDS WILL BE BASED.
 - ALL FIELD TOPOGRAPHIC SURVEYS SHOWN ON DRAWINGS WERE DERIVED FROM A SURVEY PERFORMED BY GEORGE F. YOUNG, 78 SARASOTA CENTER BLVD., SARASOTA, FL 34240. CONTACT: DENNIS HOOVER.
 - ALL SOILS EXPLORATION WORK WAS PERFORMED BY DRIGGERS ENGINEERING, SERVICES, INC., P.O. BOX 5166, CLEARWATER, FLORIDA 34618. THE SUBSURFACE INVESTIGATIONS AND ANALYSIS THAT HAVE BEEN ACCOMPLISHED ARE AVAILABLE FOR REVIEW AS PRESCRIBED FOR IN THE SPECIFICATIONS. THE GEOTECHNICAL REPORT IS PROVIDED FOR THE CONTRACTOR'S CONVENIENCE AND IS FOR GENERAL INFORMATION ONLY. THE CONTRACTOR IS SOLELY RESPONSIBLE FOR HIS OWN INTERPRETATIONS OF THE GEOTECHNICAL DATA. THE REPORT IS REPRESENTED TO ONLY PROVIDE A GENERAL INDICATION OF THE TYPES OF CONDITIONS LIKELY TO BE FOUND IN THE VICINITY. THE CONTRACTOR MAY AT HIS OWN EXPENSE OBTAIN ADDITIONAL GEOTECHNICAL INFORMATION.
 - ALL FIELD TESTING SHALL BE IN ACCORDANCE WITH SPECIFICATIONS AND SHALL BE PERFORMED BY THE CONTRACTOR AND APPROVED BY THE OWNER/ENGINEER PRIOR TO FINAL PAYMENT.
 - THE MINIMUM DEPTH OF COVER FOR ALL BURIED PIPES SHALL BE 36 INCHES UNLESS OTHERWISE SHOWN OR SPECIFIED. THE BEDDING BACKFILL SHALL CONFORM TO THE MINIMUM REQUIREMENTS OF THE SPECIFICATIONS.
 - CONTRACTOR SHALL CONFINE HIS WORK WITHIN THE LIMITS OF EXISTING RIGHT-OF-WAY AND LIMITS OF CONSTRUCTION AS SHOWN ON THE DRAWINGS.
 - THROUGHOUT THESE DRAWINGS, THE CONTRACTOR WILL BE REQUIRED TO TIE-IN TO EXISTING PIPING OR RESTRAIN EXISTING PIPING. CONTRACTORS SHALL VERIFY LOCATION, SIZE AND MATERIAL OF EXISTING MAIN PRIOR TO CONSTRUCTION. NEW PIPELINES SHALL BE TESTED AND ACCEPTED PRIOR TO CONNECTION.
 - THE CONTRACTOR SHALL PROVIDE ALL DEWATERING EQUIPMENT NECESSARY TO KEEP EXCAVATIONS DRY AND SHALL PROVIDE ALL SHEETING, SHORING AND BRACING NECESSARY TO PROTECT ADJACENT STRUCTURES, UTILITIES, EXISTING PAVEMENT, OR TO MINIMIZE TRENCH WIDTH, ALL IN ACCORDANCE WITH THE SPECIFICATIONS.
 - THE CONTRACTOR SHALL PROVIDE AND INSTALL HAY BALES AND/OR SILT SCREENS AROUND THE PROPOSED CONSTRUCTION ACTIVITY, AS NECESSARY, TO PREVENT THE TRANSPORT OF SEDIMENT DOWNSTREAM INTO STREETS, STORM SEWERS, OPEN DITCHES, ETC., AND SHALL PERFORM ALL NECESSARY INSPECTIONS ALL IN ACCORDANCE WITH THE STORMWATER POLLUTION PREVENTION PLAN AND THE SPECIFICATIONS.
 - A LATERAL SEPARATION OF TEN FEET OUT SHALL BE MAINTAINED BETWEEN THE WATER MAIN AND ANY SANITARY SEWER MAINS. IN CASE OF A CROSSING, A VERTICAL SEPARATION OF NOT LESS THAN 18 INCHES SHALL BE MAINTAINED.
 - VERTICAL ALIGNMENT OF THE PROPOSED MAINS AT ALL EXISTING UTILITY CROSSINGS SHALL BE FIELD DETERMINED BY THE CONTRACTOR AND APPROVED BY THE ENGINEER.
 - THE CONTRACTOR SHALL MAINTAIN TRAFFIC IN THE AREA OF THE WORK.
 - THE CONTRACTOR SHALL BE RESPONSIBLE FOR ANY DAMAGE CAUSED BY CONSTRUCTION OPERATIONS TO EXISTING UTILITIES WHICH HAVE BEEN FIELD LOCATED BY THEIR OWNERS.
 - THE CONTRACTOR SHALL ADHERE TO ALL CONDITIONS AND REQUIREMENTS OF ALL PERMITS, WHICH HAVE BEEN OBTAINED.
 - REFERENCE TO FDOT STANDARD SPECIFICATIONS SHALL MEAN THE CURRENT EDITION OF THE FLORIDA DEPARTMENT OF TRANSPORTATION "STANDARD SPECIFICATIONS FOR ROAD AND BRIDGE CONSTRUCTION."
 - SEE SECTION 01014 FOR MAINTENANCE OF FLOW REQUIREMENTS.

RECORD DRAWINGS

THESE RECORD DRAWINGS HAVE BEEN PREPARED BASED ON INFORMATION PROVIDED BY OTHERS. THE ENGINEER HAS NOT VERIFIED THE ACCURACY OF THIS INFORMATION AND SHALL NOT BE RESPONSIBLE FOR ANY ERRORS OR OMISSIONS WHICH MAY BE INCORPORATED HEREIN AS A RESULT.
CAMP DRESSER & MCKEE INC. Date: DECEMBER 2007

CRAIG C. MONTGOMERY
P.E. NO. 45953

RECORD DRAWING

PROJECT NO. 2790-40654
FILE NAME: GNXSHOG1.DWG

SHEET NO.

G-1

DESIGNED BY: W. SPRIGGS
DRAWN BY: D. AUST
SHEET CHK'D BY: C. MONTGOMERY
CROSS CHK'D BY: W. SPRIGGS
APPROVED BY: C. MONTGOMERY
DATE: DECEMBER 2007

CDM

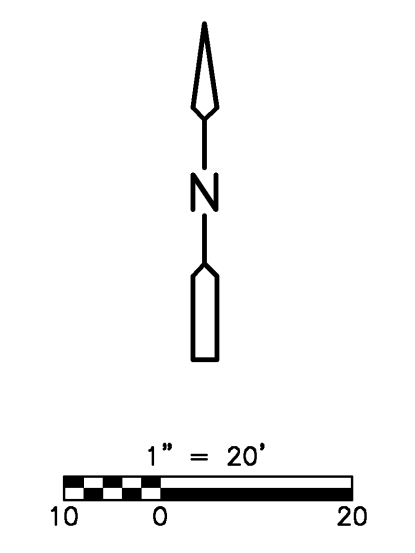
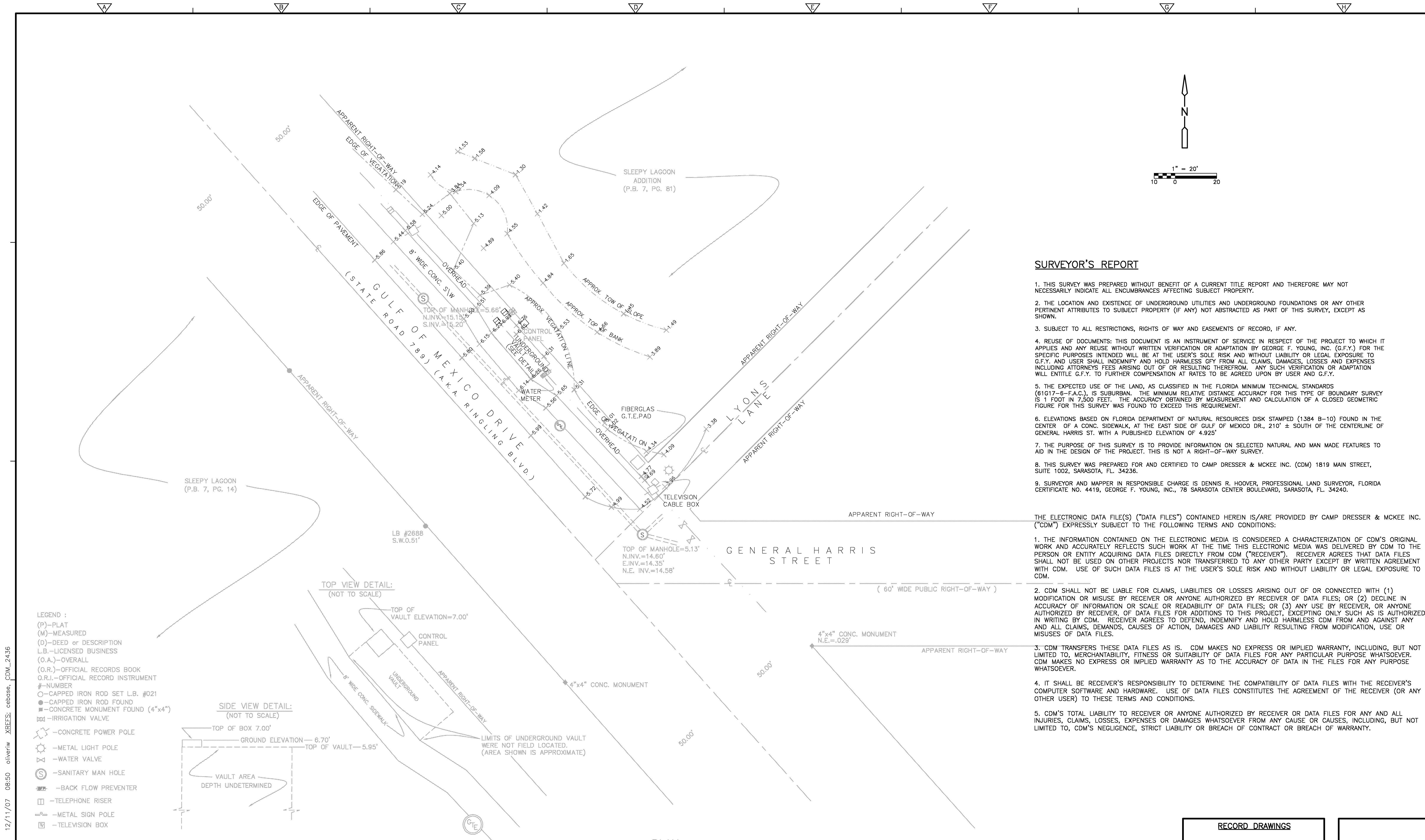
Camp Dresser & McKee
12501 World Plaza Lane, Building 51
Fort Myers, FL 33907
Tel: (239) 938-9600
FL COA No. EB-0000020

consulting • engineering • construction • operations

TOWN OF LONGBOAT KEY, FLORIDA

INLINE WATER BOOSTER STATION IMPROVEMENTS

GENERAL NOTES, LEGEND AND ABBREVIATIONS



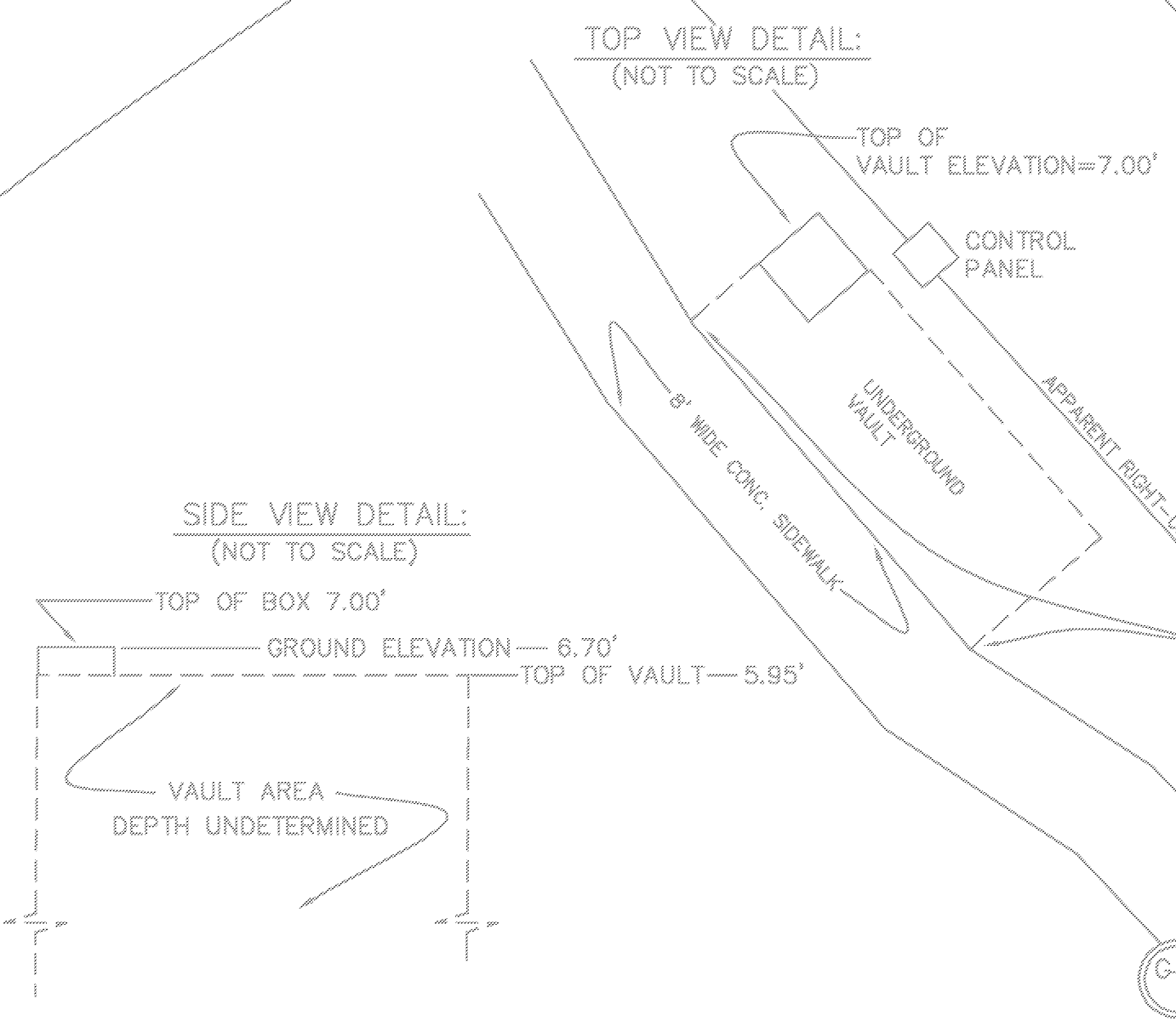
SURVEYOR'S REPORT

1. THIS SURVEY WAS PREPARED WITHOUT BENEFIT OF A CURRENT TITLE REPORT AND THEREFORE MAY NOT NECESSARILY INDICATE ALL ENCUMBRANCES AFFECTING SUBJECT PROPERTY.
2. THE LOCATION AND EXISTENCE OF UNDERGROUND UTILITIES AND UNDERGROUND FOUNDATIONS OR ANY OTHER PERTINENT ATTRIBUTES TO SUBJECT PROPERTY (IF ANY) NOT ABSTRACTED AS PART OF THIS SURVEY, EXCEPT AS SHOWN.
3. SUBJECT TO ALL RESTRICTIONS, RIGHTS OF WAY AND EASEMENTS OF RECORD, IF ANY.
4. REUSE OF DOCUMENTS: THIS DOCUMENT IS AN INSTRUMENT OF SERVICE IN RESPECT OF THE PROJECT TO WHICH IT APPLIES AND ANY REUSE WITHOUT WRITTEN VERIFICATION OR ADAPTATION BY GEORGE F. YOUNG, INC. (G.F.Y.) FOR THE SPECIFIC PURPOSES INTENDED WILL BE AT THE USER'S SOLE RISK AND WITHOUT LIABILITY OR LEGAL EXPOSURE TO G.F.Y. AND USER SHALL INDEMNIFY AND HOLD HARMLESS GFY FROM ALL CLAIMS, DAMAGES, LOSSES AND EXPENSES INCLUDING ATTORNEYS FEES ARISING OUT OF OR RESULTING THEREFROM. ANY SUCH VERIFICATION OR ADAPTATION WILL ENTITLE G.F.Y. TO FURTHER COMPENSATION AT RATES TO BE AGREED UPON BY USER AND G.F.Y.
5. THE EXPECTED USE OF THE LAND, AS CLASSIFIED IN THE FLORIDA MINIMUM TECHNICAL STANDARDS (61G17-6-F.A.C.), IS SUBURBAN. THE MINIMUM RELATIVE DISTANCE ACCURACY FOR THIS TYPE OF BOUNDARY SURVEY IS 1 FOOT IN 7,500 FEET. THE ACCURACY OBTAINED BY MEASUREMENT AND CALCULATION OF A CLOSED GEOMETRIC FIGURE FOR THIS SURVEY WAS FOUND TO EXCEED THIS REQUIREMENT.
6. ELEVATIONS BASED ON FLORIDA DEPARTMENT OF NATURAL RESOURCES DISK STAMPED (1384 B-10) FOUND IN THE CENTER OF A CONC. SIDEWALK, AT THE EAST SIDE OF GULF OF MEXICO DR., 210' ± SOUTH OF THE CENTERLINE OF GENERAL HARRIS ST. WITH A PUBLISHED ELEVATION OF 4.925'
7. THE PURPOSE OF THIS SURVEY IS TO PROVIDE INFORMATION ON SELECTED NATURAL AND MAN MADE FEATURES TO AID IN THE DESIGN OF THE PROJECT. THIS IS NOT A RIGHT-OF-WAY SURVEY.
8. THIS SURVEY WAS PREPARED FOR AND CERTIFIED TO CAMP DRESSER & MCKEE INC. (CDM) 1819 MAIN STREET, SUITE 1002, SARASOTA, FL. 34236.
9. SURVEYOR AND MAPPER IN RESPONSIBLE CHARGE IS DENNIS R. HOOVER, PROFESSIONAL LAND SURVEYOR, FLORIDA CERTIFICATE NO. 4419, GEORGE F. YOUNG, INC., 78 SARASOTA CENTER BOULEVARD, SARASOTA, FL. 34240.

THE ELECTRONIC DATA FILE(S) ("DATA FILES") CONTAINED HEREIN IS/ARE PROVIDED BY CAMP DRESSER & MCKEE INC. ("CDM") EXPRESSLY SUBJECT TO THE FOLLOWING TERMS AND CONDITIONS:

1. THE INFORMATION CONTAINED ON THE ELECTRONIC MEDIA IS CONSIDERED A CHARACTERIZATION OF CDM'S ORIGINAL WORK AND ACCURATELY REFLECTS SUCH WORK AT THE TIME THIS ELECTRONIC MEDIA WAS DELIVERED BY CDM TO THE PERSON OR ENTITY ACQUIRING DATA FILES DIRECTLY FROM CDM ("RECEIVER"). RECEIVER AGREES THAT DATA FILES SHALL NOT BE USED ON OTHER PROJECTS NOR TRANSFERRED TO ANY OTHER PARTY EXCEPT BY WRITTEN AGREEMENT WITH CDM. USE OF SUCH DATA FILES IS AT THE USER'S SOLE RISK AND WITHOUT LIABILITY OR LEGAL EXPOSURE TO CDM.
2. CDM SHALL NOT BE LIABLE FOR CLAIMS, LIABILITIES OR LOSSES ARISING OUT OF OR CONNECTED WITH (1) MODIFICATION OR MISUSE BY RECEIVER OR ANYONE AUTHORIZED BY RECEIVER OF DATA FILES; OR (2) DECLINE IN ACCURACY OF INFORMATION OR SCALE OR READABILITY OF DATA FILES; OR (3) ANY USE BY RECEIVER, OR ANYONE AUTHORIZED BY RECEIVER, OF DATA FILES FOR ADDITIONS TO THIS PROJECT, EXCEPTING ONLY SUCH AS IS AUTHORIZED IN WRITING BY CDM. RECEIVER AGREES TO DEFEND, INDEMNIFY AND HOLD HARMLESS CDM FROM AND AGAINST ANY AND ALL CLAIMS, DEMANDS, CAUSES OF ACTION, DAMAGES AND LIABILITY RESULTING FROM MODIFICATION, USE OR MISUSES OF DATA FILES.
3. CDM TRANSFERS THESE DATA FILES AS IS. CDM MAKES NO EXPRESS OR IMPLIED WARRANTY, INCLUDING, BUT NOT LIMITED TO, MERCHANTABILITY, FITNESS OR SUITABILITY OF DATA FILES FOR ANY PARTICULAR PURPOSE WHATSOEVER. CDM MAKES NO EXPRESS OR IMPLIED WARRANTY AS TO THE ACCURACY OF DATA IN THE FILES FOR ANY PURPOSE WHATSOEVER.
4. IT SHALL BE RECEIVER'S RESPONSIBILITY TO DETERMINE THE COMPATIBILITY OF DATA FILES WITH THE RECEIVER'S COMPUTER SOFTWARE AND HARDWARE. USE OF DATA FILES CONSTITUTES THE AGREEMENT OF THE RECEIVER (OR ANY OTHER USER) TO THESE TERMS AND CONDITIONS.
5. CDM'S TOTAL LIABILITY TO RECEIVER OR ANYONE AUTHORIZED BY RECEIVER OR DATA FILES FOR ANY AND ALL INJURIES, CLAIMS, LOSSES, EXPENSES OR DAMAGES WHATSOEVER FROM ANY CAUSE OR CAUSES, INCLUDING, BUT NOT LIMITED TO, CDM'S NEGLIGENCE, STRICT LIABILITY OR BREACH OF CONTRACT OR BREACH OF WARRANTY.

- LEGEND :**
- (P)—PLAT
 - (M)—MEASURED
 - (D)—DEED or DESCRIPTION
 - L.B.—LICENSED BUSINESS
 - (O.A.)—OVERALL
 - (O.R.)—OFFICIAL RECORDS BOOK
 - O.R.I.—OFFICIAL RECORD INSTRUMENT
 - #—NUMBER
 - CAPPED IRON ROD SET L.B. #021
 - CAPPED IRON ROD FOUND
 - CONCRETE MONUMENT FOUND (4"x4")
 - ⊞—IRRIGATION VALVE
 - ⊞—CONCRETE POWER POLE
 - ⊞—METAL LIGHT POLE
 - ⊞—WATER VALVE
 - ⊞—SANITARY MAN HOLE
 - ⊞—BACK FLOW PREVENTER
 - ⊞—TELEPHONE RISER
 - ⊞—METAL SIGN POLE
 - ⊞—TELEVISION BOX



PLAN
1" = 20'

RECORD DRAWINGS

THESE RECORD DRAWINGS HAVE BEEN PREPARED BASED ON INFORMATION PROVIDED BY OTHERS. THE ENGINEER HAS NOT VERIFIED THE ACCURACY OF THIS INFORMATION AND SHALL NOT BE RESPONSIBLE FOR ANY ERRORS OR OMISSIONS WHICH MAY BE INCORPORATED HEREIN AS A RESULT.

CAMP DRESSER & MCKEE INC. Date DECEMBER 2007

CRAIG C. MONTGOMERY
P.E. NO. 45953

RECORD DRAWING

REV. NO.	DATE	DRWN	CHKD	REMARKS

DESIGNED BY: W. SPRIGGS
 DRAWN BY: D. AUST
 SHEET CHK'D BY: C. MONTGOMERY
 CROSS CHK'D BY: W. SPRIGGS
 APPROVED BY: C. MONTGOMERY
 DATE: DECEMBER 2007

CDM
 Camp Dresser & McKee
 12501 World Plaza Lane, Building 51
 Fort Myers, FL 33907
 Tel: (239) 938-8600
 FL COA No. EB-0000020
 consulting • engineering • construction • operations

TOWN OF LONGBOAT KEY, FLORIDA

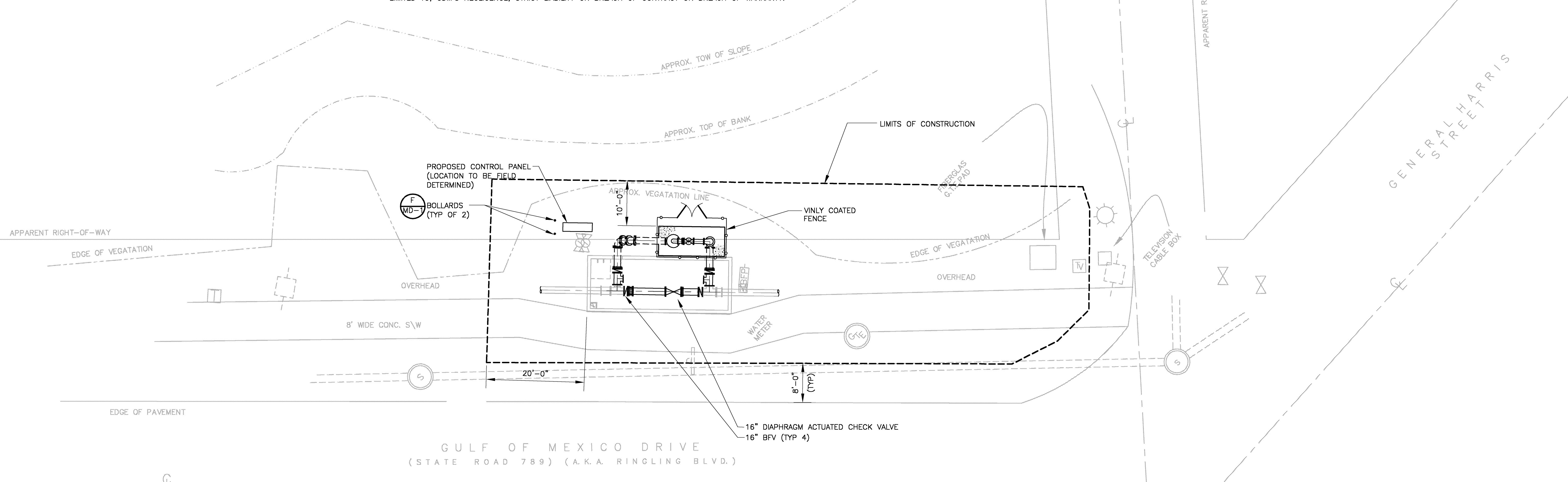
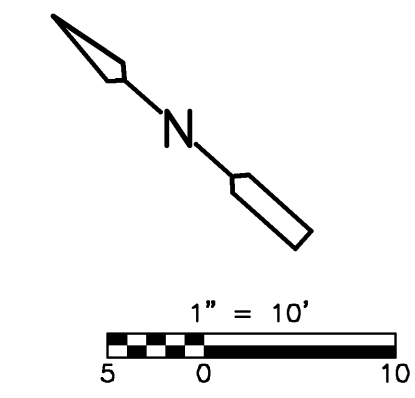
INLINE WATER BOOSTER STATION IMPROVEMENTS

EXISTING SITE SURVEY

PROJECT NO. 2790-40654
 FILE NAME: CESTSV01.dwg
 SHEET NO. C-1

THE ELECTRONIC DATA FILE(S) ("DATA FILES") CONTAINED HEREIN IS/ARE PROVIDED BY CAMP DRESSER & MCKEE INC. ("CDM") EXPRESSLY SUBJECT TO THE FOLLOWING TERMS AND CONDITIONS:

1. THE INFORMATION CONTAINED ON THE ELECTRONIC MEDIA IS CONSIDERED A CHARACTERIZATION OF CDM'S ORIGINAL WORK AND ACCURATELY REFLECTS SUCH WORK AT THE TIME THIS ELECTRONIC MEDIA WAS DELIVERED BY CDM TO THE PERSON OR ENTITY ACQUIRING DATA FILES DIRECTLY FROM CDM ("RECEIVER"). RECEIVER AGREES THAT DATA FILES SHALL NOT BE USED ON OTHER PROJECTS NOR TRANSFERRED TO ANY OTHER PARTY EXCEPT BY WRITTEN AGREEMENT WITH CDM. USE OF SUCH DATA FILES IS AT THE USER'S SOLE RISK AND WITHOUT LIABILITY OR LEGAL EXPOSURE TO CDM.
2. CDM SHALL NOT BE LIABLE FOR CLAIMS, LIABILITIES OR LOSSES ARISING OUT OF OR CONNECTED WITH (1) MODIFICATION OR MISUSE BY RECEIVER OR ANYONE AUTHORIZED BY RECEIVER OF DATA FILES; OR (2) DECLINE IN ACCURACY OF INFORMATION OR SCALE OR READABILITY OF DATA FILES; OR (3) ANY USE BY RECEIVER, OR ANYONE AUTHORIZED BY RECEIVER, OF DATA FILES FOR ADDITIONS TO THIS PROJECT, EXCEPTING ONLY SUCH AS IS AUTHORIZED IN WRITING BY CDM. RECEIVER AGREES TO DEFEND, INDEMNIFY AND HOLD HARMLESS CDM FROM AND AGAINST ANY AND ALL CLAIMS, DEMANDS, CAUSES OF ACTION, DAMAGES AND LIABILITY RESULTING FROM MODIFICATION, USE OR MISUSES OF DATA FILES.
3. CDM TRANSFERS THESE DATA FILES AS IS. CDM MAKES NO EXPRESS OR IMPLIED WARRANTY, INCLUDING, BUT NOT LIMITED TO, MERCHANTABILITY, FITNESS OR SUITABILITY OF DATA FILES FOR ANY PARTICULAR PURPOSE WHATSOEVER. CDM MAKES NO EXPRESS OR IMPLIED WARRANTY AS TO THE ACCURACY OF DATA IN THE FILES FOR ANY PURPOSE WHATSOEVER.
4. IT SHALL BE RECEIVER'S RESPONSIBILITY TO DETERMINE THE COMPATIBILITY OF DATA FILES WITH THE RECEIVER'S COMPUTER SOFTWARE AND HARDWARE. USE OF DATA FILES CONSTITUTES THE AGREEMENT OF THE RECEIVER (OR ANY OTHER USER) TO THESE TERMS AND CONDITIONS.
5. CDM'S TOTAL LIABILITY TO RECEIVER OR ANYONE AUTHORIZED BY RECEIVER OR DATA FILES FOR ANY AND ALL INJURIES, CLAIMS, LOSSES, EXPENSES OR DAMAGES WHATSOEVER FROM ANY CAUSE OR CAUSES, INCLUDING, BUT NOT LIMITED TO, CDM'S NEGLIGENCE, STRICT LIABILITY OR BREACH OF CONTRACT OR BREACH OF WARRANTY.



SITE PLAN
1" = 10'

NOTES:

- MAINTENANCE OF TRAFFIC, SIGNS, AND BARRICADES TO BE ACCORDING TO FDOT MANUAL OF SAFE PRACTICES, REFERENCE FDOT STANDARD INDEX NO. 611. CONTRACTOR MUST SUBMIT MOT, WITH ANY MODIFICATIONS TO THE OWNER AND FDOT FOR APPROVAL.
- CONSTRUCTION STAGING AND PARKING AREA PROVIDED WITHIN THE GENERAL HARRIS STREET RIGHT-OF-WAY, BEACH ACCESS PARKING DESIGNATED AREAS. CONTRACTOR TO COORDINATE WITH TOWN PRIOR TO UTILIZING.
- NO STOCK PILING OF MATERIAL IN ROADWAYS OF FDOT RIGHT-OF-WAY. ALL DIRT AND DEBRIS SHALL BE REMOVED FROM JOB SITE DAILY. ROADS AND SIDEWALKS TO BE SWEEPED DAILY AS PART OF DAILY CLEANUP.
- CONTRACTOR SHALL FIELD STAKE CONSTRUCTION LIMIT BOUNDARIES PRIOR TO CONSTRUCTION AND LIMIT ACTIVITIES TO THOSE BOUNDARIES.
- CONTRACTOR TO PROTECT CREATED WETLAND TO THE EAST OF THE BOOSTER STATION WITH EROSION CONTROL METHODS PER SPECIFICATIONS.
- VEGETATION DISTURBED WITHIN THE CONSTRUCTION AREA SHALL BE RESTORED TO PRECONSTRUCTION CONDITION.
- VERIZON TELEPHONE UTILITY IN CONFLICT WITH THE PROPOSED WORK WILL BE RELOCATED BY VERIZON UNDER A SEPARATE FDOT UTILITY PERMIT. CONTRACTOR TO COORDINATE WITH THE TOWN AND VERIZON PRIOR TO EXCAVATION.

RECORD DRAWINGS
THESE RECORD DRAWINGS HAVE BEEN PREPARED BASED ON INFORMATION PROVIDED BY OTHERS. THE ENGINEER HAS NOT VERIFIED THE ACCURACY OF THIS INFORMATION AND SHALL NOT BE RESPONSIBLE FOR ANY ERRORS OR OMISSIONS WHICH MAY BE INCORPORATED HEREIN AS A RESULT.
CAMP DRESSER & MCKEE INC. Date: DECEMBER 2007

CRAIG C. MONTGOMERY
P.E. NO. 45953

RECORD DRAWING

P:\2790\40654\Record\Civil\CSTPL002 12/11/07 08:53 oliveriw_xrees; mbase; cebase; mbase; CDM_2436

REV. NO.	DATE	DRWN	CHKD	REMARKS
	12/07	IWO	WMS	RECORD DRAWINGS

DESIGNED BY: W. SPRIGGS
 DRAWN BY: D. AUST
 SHEET CHK'D BY: C. MONTGOMERY
 CROSS CHK'D BY: W. SPRIGGS
 APPROVED BY: C. MONTGOMERY
 DATE: DECEMBER 2007

CDM
 Camp Dresser & McKee
 12501 World Plaza Lane, Building 51
 Fort Myers, FL 33907
 Tel: (239) 938-9600
 FL COA No. EB-0000020
 consulting • engineering • construction • operations

TOWN OF LONGBOAT KEY, FLORIDA
INLINE WATER BOOSTER STATION IMPROVEMENTS

SITE PLAN

PROJECT NO. 2790-40654
 FILE NAME: CSTPL002.dwg
 SHEET NO.
C-2

GENERAL NOTES

DESIGN CRITERIA CODES:

- 2001 FLORIDA BUILDING CODE
- SANITARY STRUCTURES: ACI 350R "CONCRETE SANITARY ENGINEERING STRUCTURES"
- OTHER STRUCTURES: ACI 318 "BUILDING CODE REQUIREMENTS FOR REINFORCED CONCRETE"
- AISC MANUAL OF STEEL CONSTRUCTION, NINTH EDITION

DESIGN LIVE LOADS:

- PROCESS RELATED STRUCTURES: 200 PSF
- PROCESS SLABS

WINDLOADS

- BASIC WIND SPEED: 130 MPH
- DESIGN PRESSURES: PER AISC-7-98
- WIND IMPORTANCE FACTOR: I = 1.15
- INTERNAL PRESSURE COEFFICIENTS $C_{pi} = \pm 0.18$
- $qz = 36 \text{ psf}$ (0-15 ABOVE GROUND)

CONCRETE 28-DAY STRENGTH

- PAVING, SIDEWALKS AND BULK CONCRETE: 3000 PSI
- COLUMNS, BEAMS, SLABS, WALLS, FOOTINGS: 4000 PSI
- PRESTRESSED ELEMENTS: 5000 PSI

REINFORCING STEEL

- ALL BARS ASTM A615, GRADE 60
- WELDED WIRE FABRIC ASTM A185

STRUCTURAL STEEL

- ALL STRUCTURAL AND MISC. STEEL UNLESS NOTED: A572 GRADE 50
- SHOP AND FIELD WELD: E70XX ELECTRODES

FOUNDATIONS

- ALLOWABLE BEARING PRESSURE FOR SPREAD FOOTINGS OVER SUBSURFACE PREPARED AS PER SPECIFICATIONS. 2000 PSF

GENERAL CONDITIONS

ALL STRUCTURAL DRAWINGS SHALL BE USED IN CONJUNCTION WITH THE ARCHITECTURAL, MECHANICAL, CIVIL, ELECTRICAL, AND SHOP DRAWINGS AND SPECIFICATIONS.

THE CONTRACTOR SHALL REVIEW AND VERIFY DIMENSIONS SHOWN IN ALL PLANS AND REVIEW ALL FIELD CONDITIONS THAT MAY AFFECT THE INSTALLATION OF THE FACILITY. SHOULD DISCREPANCIES APPEAR, THE CONTRACTOR SHALL NOTIFY THE ENGINEER IN WRITING TO OBTAIN ENGINEER'S CLARIFICATION BEFORE COMMENCING WITH THE WORK.

FOR ALL ITEMS EMBEDDED IN OR PASSED THROUGH CONCRETE, THE CONTRACTOR SHALL INITIALLY REFER TO MECHANICAL DRAWINGS FOR TYPE, SIZE, LOCATION, AND SPECIAL INSTALLATION REQUIREMENTS FOR THESE ITEMS.

THE CONTRACTOR SHALL TAKE ANY AND ALL NECESSARY MEASURES TO PROTECT EXISTING STRUCTURES FROM DAMAGE WHEN WORKING IN AND AROUND EXISTING STRUCTURES PERFORMING WORK SUCH AS DEMOLITION, FOUNDATION EXCAVATION, AND OTHERS.

SIZE AND LOCATION OF EQUIPMENT PADS AND ANCHOR BOLTS SHALL BE PER EQUIPMENT MANUFACTURERS REQUIREMENTS.

ANY EQUIPMENT THAT MAY INDUCE VIBRATION TO THE STRUCTURE SHALL BE ADEQUATELY ISOLATED FROM THE STRUCTURES.

ALL DETAILS AND SECTIONS SHOWN ON THE DRAWINGS ARE INTENDED TO BE TYPICAL AND SHALL BE CONSTRUED TO APPLY TO ANY SIMILAR SITUATION ELSEWHERE ON THE PROJECT, EXCEPT WHERE A DIFFERENT DETAIL IS SHOWN.

STANDARD DETAILS (SHOWN ON SD-1, SD-2 AND SD-3) APPLY TO ALL SIMILAR SITUATIONS ON THE PROJECT, EXCEPT WHERE A DIFFERENT DETAIL IS SHOWN.

CONCRETE

ALL MATERIALS AND METHODS OF CONSTRUCTION SHALL BE IN ACCORDANCE WITH ACI 318 REQUIREMENTS.

STRUCTURAL CONCRETE SHALL BE AIR-ENTRAINED WITH 4000 PSI COMPRESSIVE STRENGTH AT 28 DAYS.

WATER REDUCING AGENT SHALL BE IN ACCORDANCE WITH ASTM C494.

ALL CONCRETE SURFACES EXPOSED TO AIR, UNLESS OTHERWISE NOTED IN SPECIFICATIONS, SHALL BE TREATED WITH AN APPROPRIATE CURING COMPOUND AS SOON AS CEMENT FINISHING IS COMPLETED OR FORMS ARE REMOVED.

ALL EXPOSED CORNERS OF CONCRETE SHALL HAVE A MINIMUM CHAMFER OF 3/4" UNLESS OTHERWISE NOTED.

THE CONTRACTOR SHALL OBTAIN ENGINEER'S APPROVAL FOR THE LOCATION OF CONSTRUCTION JOINTS THAT ARE NOT SHOWN ON THE DRAWINGS.

REINFORCING STEEL

REINFORCEMENT SHALL CONFORM TO ASTM A615, GRADE 60 REQUIREMENTS.

ALL ACCESSORIES SHALL BE IN CONFORMANCE WITH ACI 315 REQUIREMENTS. REINFORCING STEEL SHALL HAVE THE FOLLOWING CLEAR COVER UNLESS OTHERWISE NOTED:

- CONCRETE CAST AGAINST EARTH: 3"
- FORMED SURFACES IN CONTACT WITH SOIL, SEWAGE, WATER OR EXPOSED TO WEATHER: 2"
- FORMED SURFACES NOT EXPOSED TO WEATHER OR IN CONTACT WITH SOIL:
 - SLABS, WALLS, AND JOISTS: 1 1/2"
 - BEAMS AND COLUMNS: 1 1/2"

LAP SPLICES SHALL BE AS SHOWN ON THE DRAWINGS. FOR LAP SPLICES NOT SHOWN ON THE DRAWINGS, THE CONTRACTOR SHALL OBTAIN ENGINEERS APPROVAL.

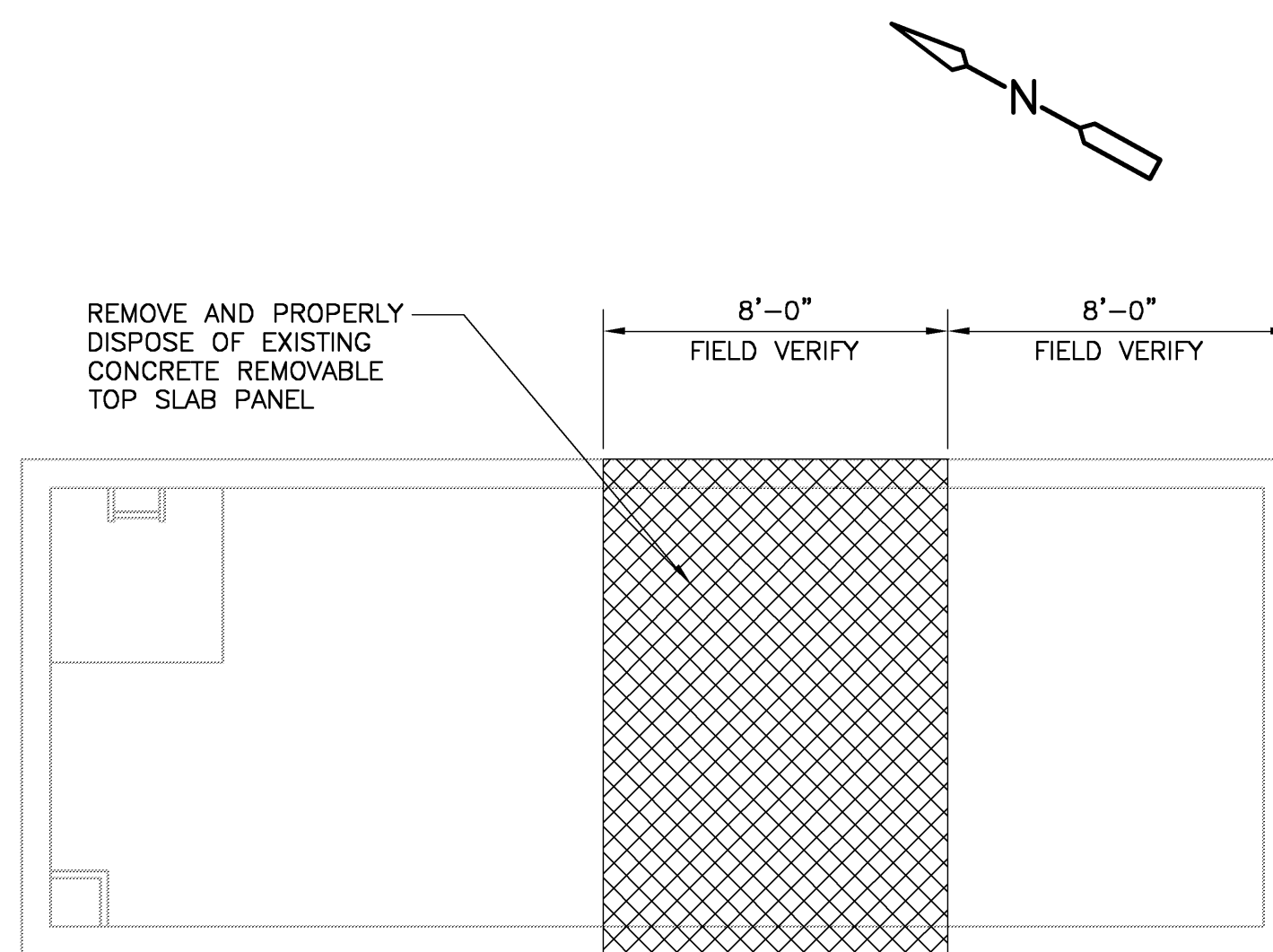
THE CONTRACTOR SHALL PREPARE PLACING DRAWINGS AND SCHEDULES IN CONFORMANCE WITH ACI 315 REQUIREMENTS.

GEOTECHNICAL REPORT:

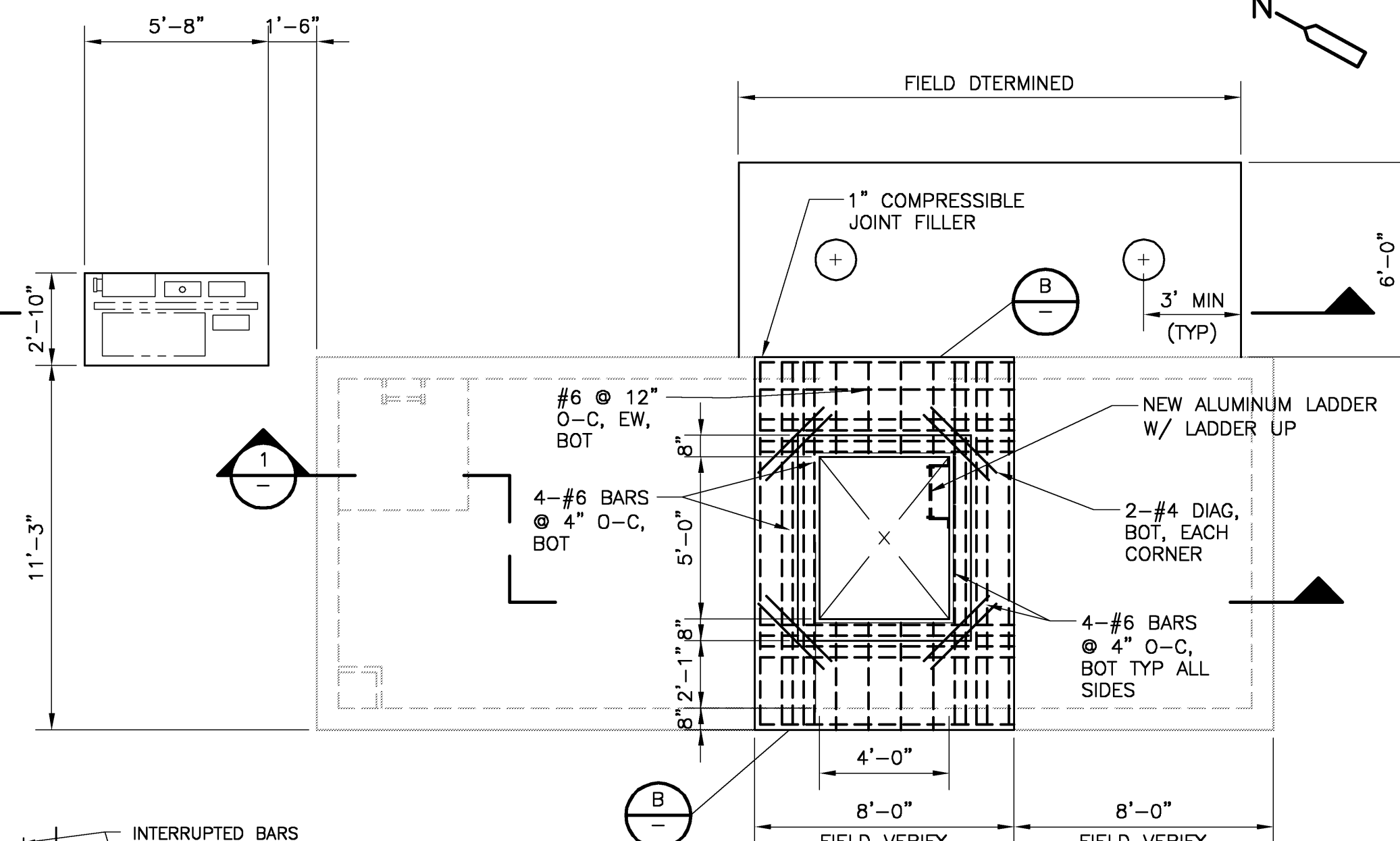
- GEOTECHNICAL REPORT BY DESI DATED May 13, 2004.
- SOIL BEARING CAPACITY FOR ALL STRUCTURES SHALL BE VERIFIED AT THE TIME OF FOUNDATION EXCAVATION.

FLOTATION CONSIDERATION

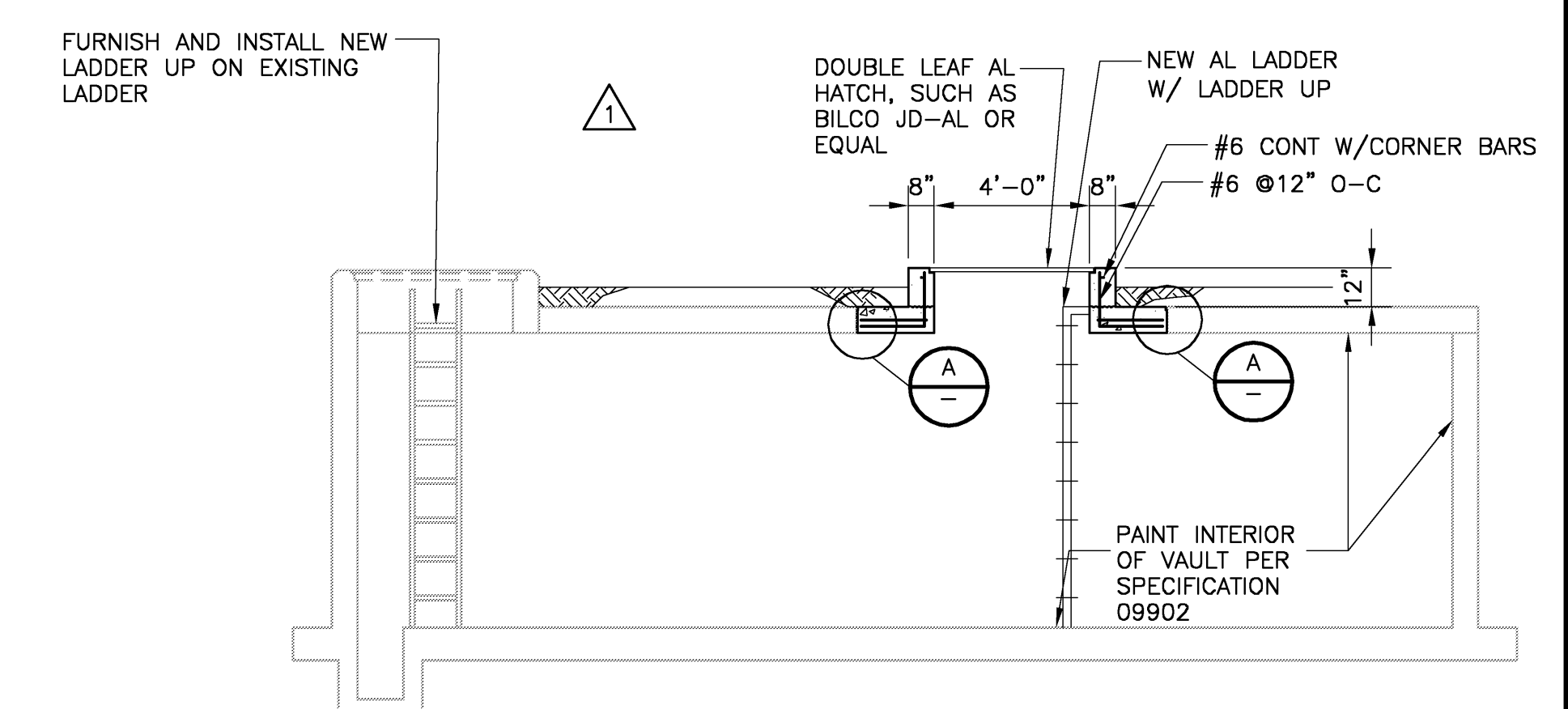
STRUCTURES WERE DESIGNED TO BE NON-BUOYANT AFTER THE STRUCTURE IS PLACED INTO SERVICE. THEREFORE, THE STRUCTURE MAY BE BUOYANT DURING CONSTRUCTION. GENERAL CONTRACTOR SHALL PROTECT ALL STRUCTURES (NEW AND EXISTING) FROM FLOTATION DURING CONSTRUCTION, REGARDLESS OF GROUND WATER LEVELS, UNTIL STRUCTURES ARE PLACED IN OPERATION.



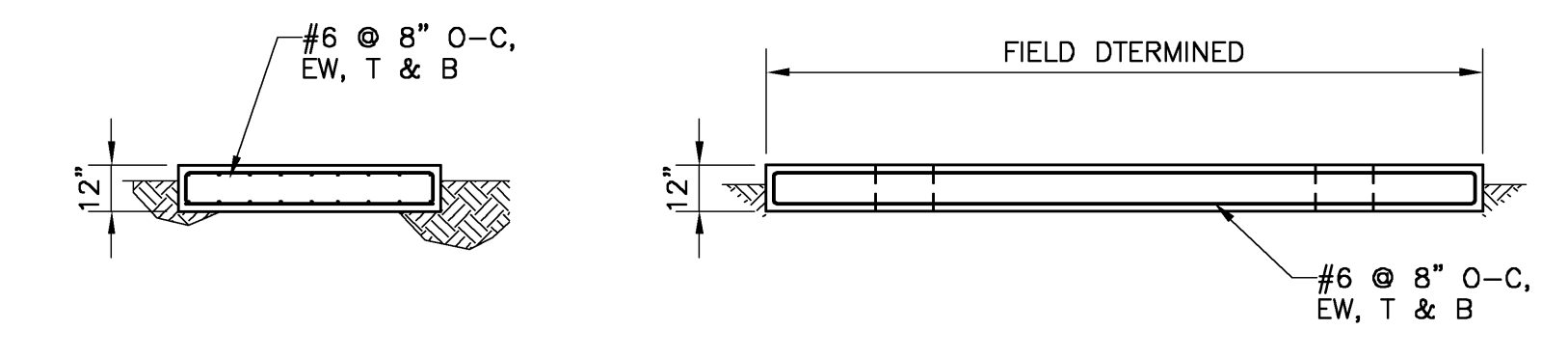
DEMOLITION PLAN
1/4" = 1'-0"



CONSTRUCTION PLAN
1/4" = 1'-0"



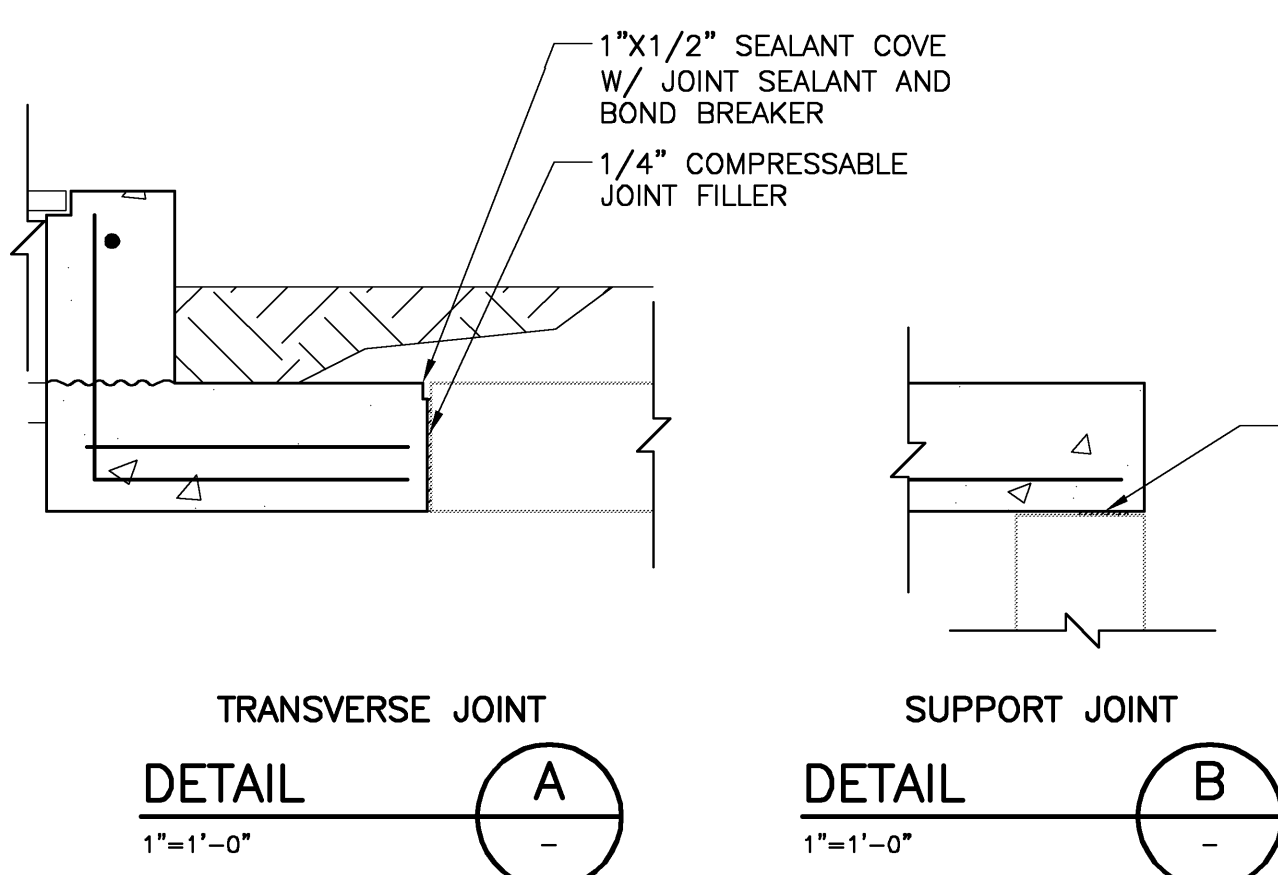
SECTION 1
1/4" = 1'-0"



SECTION 2
1/4" = 1'-0"

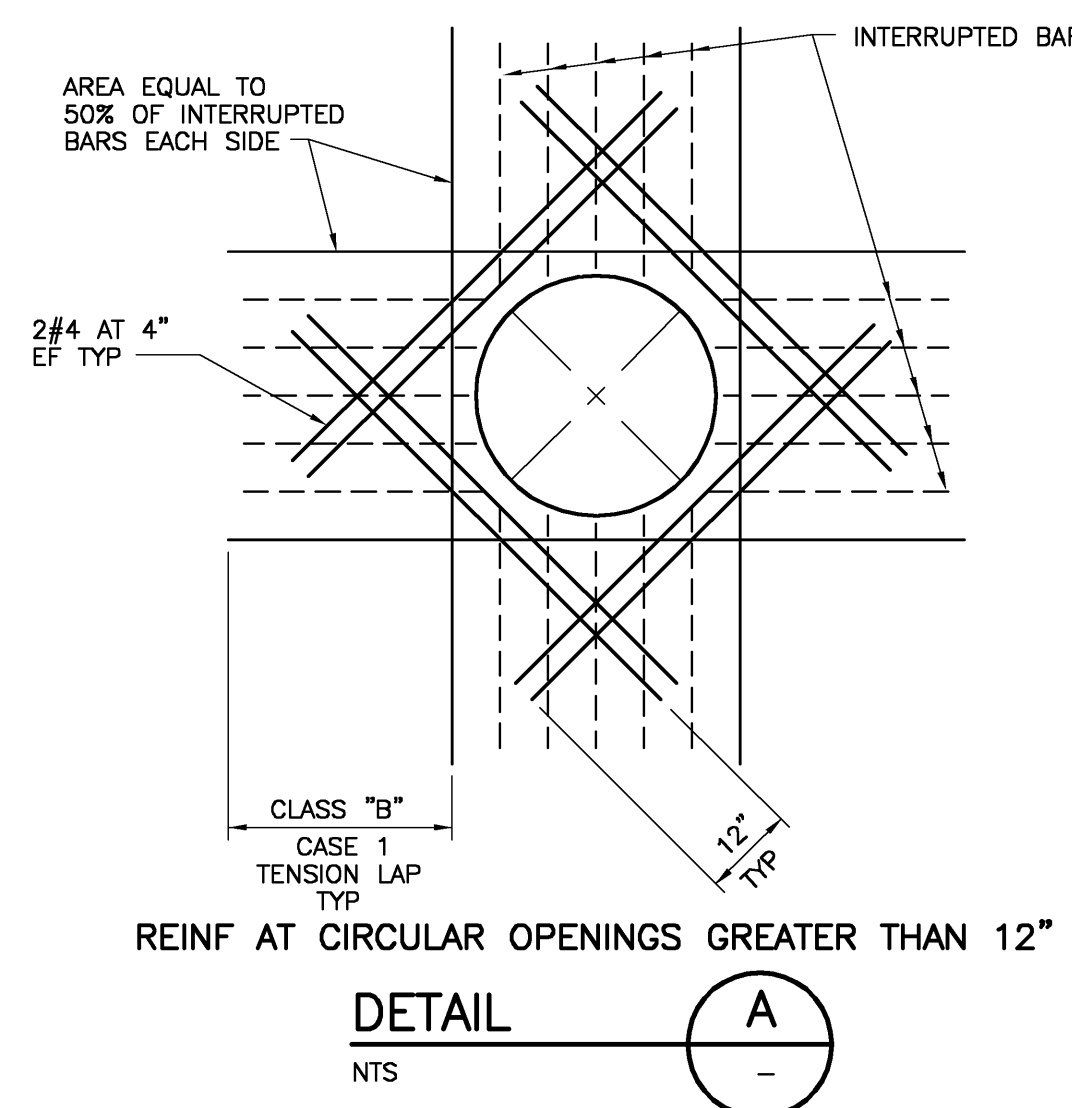
THE ELECTRONIC DATA FILE(S) ("DATA FILES") CONTAINED HEREIN IS/ARE PROVIDED BY CAMP DRESSER & MCKEE INC. ("CDM") EXPRESSLY SUBJECT TO THE FOLLOWING TERMS AND CONDITIONS:

1. THE INFORMATION CONTAINED ON THE ELECTRONIC MEDIA IS CONSIDERED A CHARACTERIZATION OF CDM'S ORIGINAL WORK AND ACCURATELY REFLECTS SUCH WORK AT THE TIME THIS ELECTRONIC MEDIA WAS DELIVERED BY CDM TO THE PERSON OR ENTITY ACQUIRING DATA FILES DIRECTLY FROM CDM ("RECEIVER"). RECEIVER AGREES THAT DATA FILES SHALL NOT BE USED ON OTHER PROJECTS NOR TRANSFERRED TO ANY OTHER PARTY EXCEPT BY WRITTEN AGREEMENT WITH CDM. USE OF SUCH DATA FILES IS AT THE USER'S SOLE RISK AND WITHOUT LIABILITY OR LEGAL EXPOSURE TO CDM.
2. CDM SHALL NOT BE LIABLE FOR CLAIMS, LIABILITIES OR LOSSES ARISING OUT OF OR CONNECTED WITH (1) MODIFICATION OR MISUSE BY RECEIVER OR ANYONE AUTHORIZED BY RECEIVER OF DATA FILES; OR (2) DECLINE IN ACCURACY OF INFORMATION OR SCALE OR READABILITY OF DATA FILES; OR (3) ANY USE BY RECEIVER, OR ANYONE AUTHORIZED BY RECEIVER, OF DATA FILES FOR ADDITIONS TO THIS PROJECT, EXCEPTING ONLY SUCH AS IS AUTHORIZED IN WRITING BY CDM. RECEIVER AGREES TO DEFEND, INDEMNIFY AND HOLD HARMLESS CDM FROM AND AGAINST ANY AND ALL CLAIMS, DEMANDS, CAUSES OF ACTION, DAMAGES AND LIABILITY RESULTING FROM MODIFICATION, USE OR MISUSES OF DATA FILES.
3. CDM TRANSFERS THESE DATA FILES AS IS. CDM MAKES NO EXPRESS OR IMPLIED WARRANTY, INCLUDING, BUT NOT LIMITED TO, MERCHANTABILITY, FITNESS OR SUITABILITY OF DATA FILES FOR ANY PARTICULAR PURPOSE WHATSOEVER. CDM MAKES NO EXPRESS OR IMPLIED WARRANTY AS TO THE ACCURACY OF DATA IN THE FILES FOR ANY PURPOSE WHATSOEVER.
4. IT SHALL BE RECEIVER'S RESPONSIBILITY TO DETERMINE THE COMPATIBILITY OF DATA FILES WITH THE RECEIVER'S COMPUTER SOFTWARE AND HARDWARE. USE OF DATA FILES CONSTITUTES THE AGREEMENT OF THE RECEIVER (OR ANY OTHER USER) TO THESE TERMS AND CONDITIONS.
5. CDM'S TOTAL LIABILITY TO RECEIVER OR ANYONE AUTHORIZED BY RECEIVER OR DATA FILES FOR ANY AND ALL INJURIES, CLAIMS, LOSSES, EXPENSES OR DAMAGES WHATSOEVER FROM ANY CAUSE OR CAUSES, INCLUDING, BUT NOT LIMITED TO, CDM'S NEGLIGENCE, STRICT LIABILITY OR BREACH OF CONTRACT OR BREACH OF WARRANTY.



TRANSVERSE JOINT DETAIL A
1" = 1'-0"

SUPPORT JOINT DETAIL B
1" = 1'-0"



REINFORCING STEEL DETAIL A
NTS

RECORD DRAWINGS

THESE RECORD DRAWINGS HAVE BEEN PREPARED BASED ON INFORMATION PROVIDED BY OTHERS. THE ENGINEER HAS NOT VERIFIED THE ACCURACY OF THIS INFORMATION AND SHALL NOT BE RESPONSIBLE FOR ANY ERRORS OR OMISSIONS WHICH MAY BE INCORPORATED HEREIN AS A RESULT.

CAMP DRESSER & MCKEE INC. Date: DECEMBER 2007

WILLIAM R. MAPLES
P.E. NO. 49311

RECORD DRAWING

P:\2790\40654\Record\Stru\st1-R1-contractor 12/11/07 13:26 oliveriw XREES_CDM_2436

DESIGNED BY:	W. MAPLES
DRAWN BY:	B. CURTIS
SHEET CHK'D BY:	W. MAPLES
CROSS CHK'D BY:	T. VERWEY
APPROVED BY:	W. MAPLES
DATE:	DECEMBER 2007

CDM
Camp Dresser & McKee
12501 World Plaza Lane, Building 51
Fort Myers, FL 33907
Tel: (239) 938-9600
FL COA No. EB-0000020
consulting • engineering • construction • operations

TOWN OF LONGBOAT KEY, FLORIDA

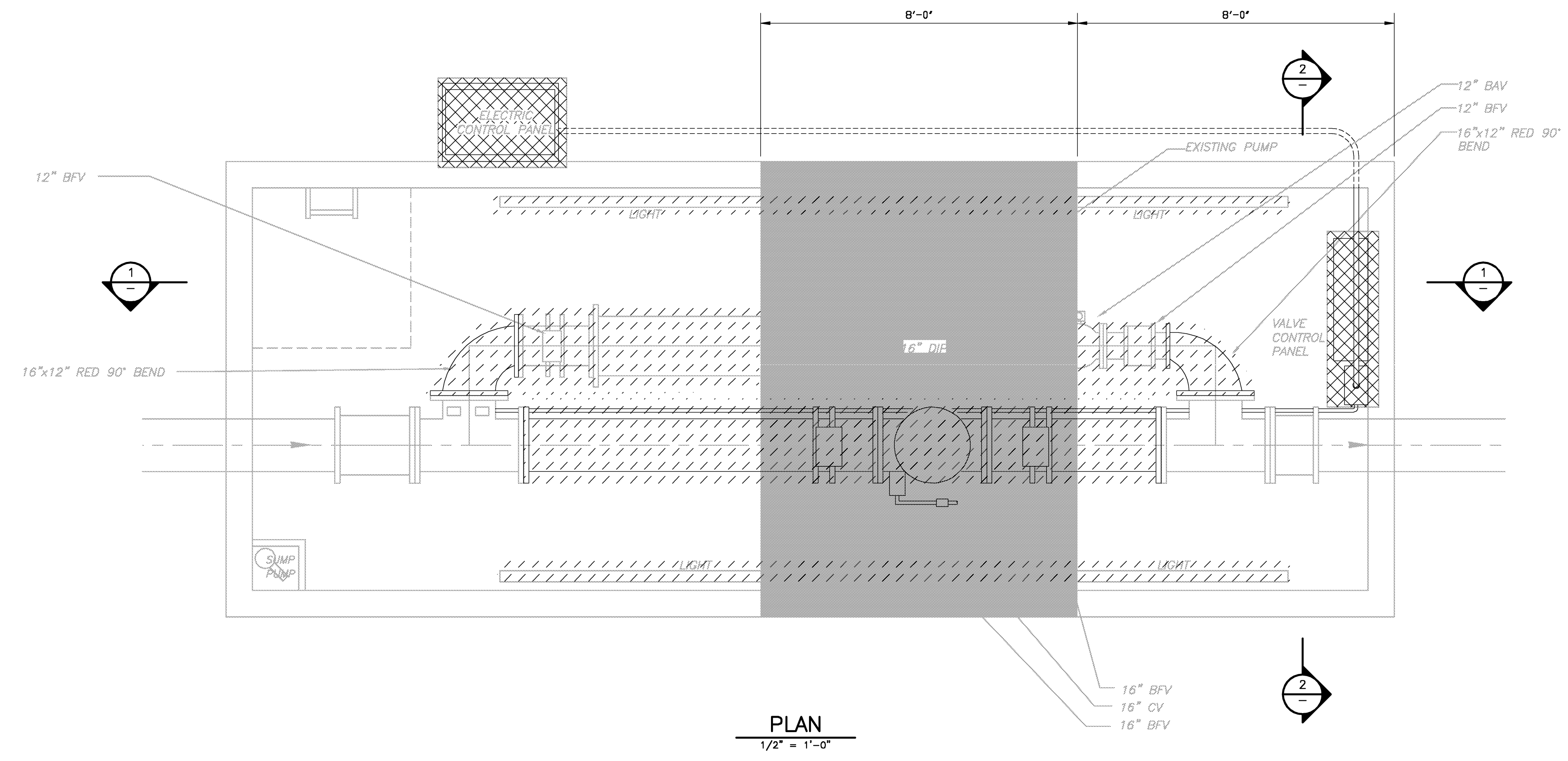
INLINE WATER BOOSTER STATION IMPROVEMENTS

INLINE WATER BOOSTER PLANS, SECTIONS AND DETAILS

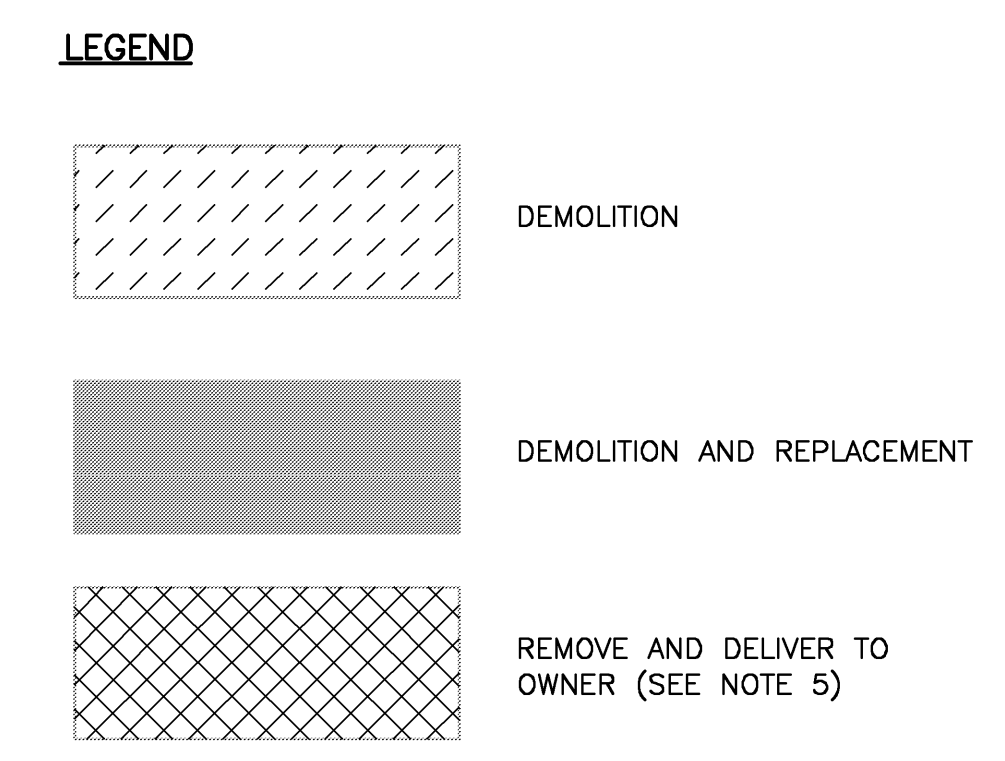
PROJECT NO. 2790-40654
FILE NAME: SPSPL101r1.dwg
SHEET NO. S-1

THE ELECTRONIC DATA FILE(S) ("DATA FILES") CONTAINED HEREIN IS/ARE PROVIDED BY CAMP DRESSER & MCKEE INC. ("CDM") EXPRESSLY SUBJECT TO THE FOLLOWING TERMS AND CONDITIONS:

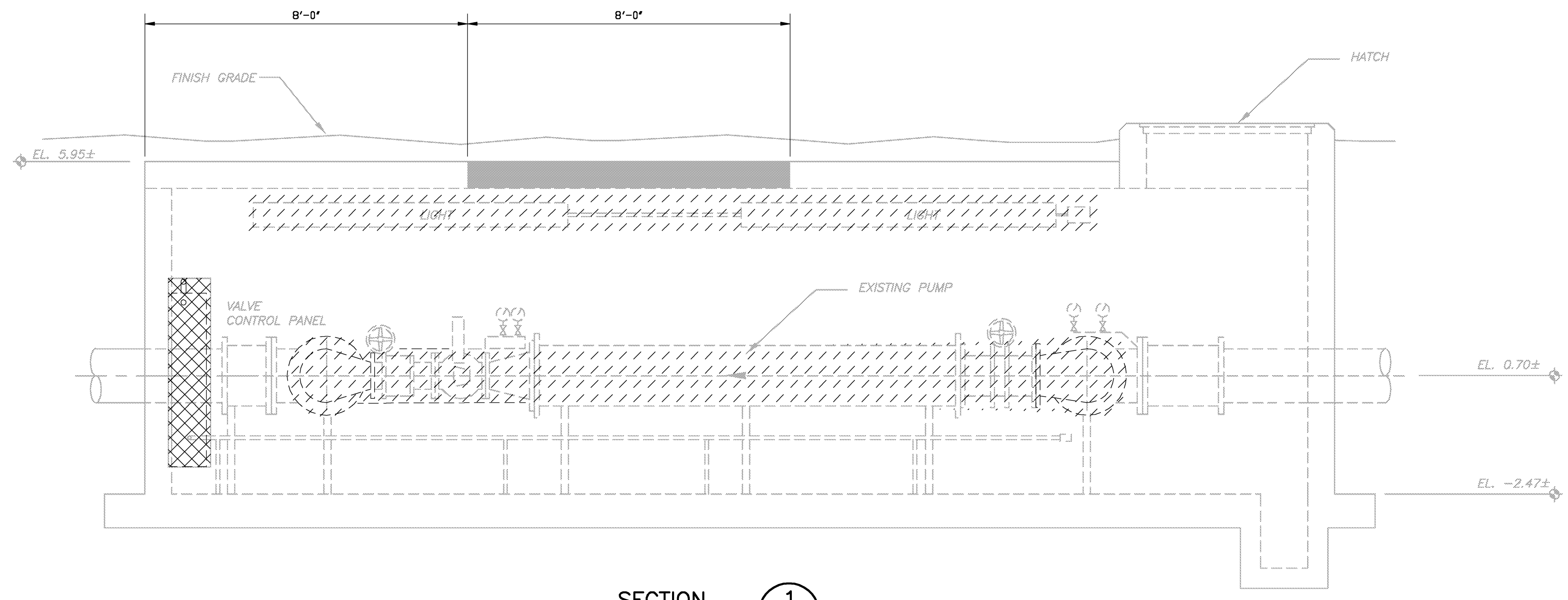
1. THE INFORMATION CONTAINED ON THE ELECTRONIC MEDIA IS CONSIDERED A CHARACTERIZATION OF CDM'S ORIGINAL WORK AND ACCURATELY REFLECTS SUCH WORK AT THE TIME THIS ELECTRONIC MEDIA WAS DELIVERED BY CDM TO THE PERSON OR ENTITY ACQUIRING DATA FILES DIRECTLY FROM CDM ("RECEIVER"). RECEIVER AGREES THAT DATA FILES SHALL NOT BE USED ON OTHER PROJECTS NOR TRANSFERRED TO ANY OTHER PARTY EXCEPT BY WRITTEN AGREEMENT WITH CDM. USE OF SUCH DATA FILES IS AT THE USER'S SOLE RISK AND WITHOUT LIABILITY OR LEGAL EXPOSURE TO CDM.
2. CDM SHALL NOT BE LIABLE FOR CLAIMS, LIABILITIES OR LOSSES ARISING OUT OF OR CONNECTED WITH (1) MODIFICATION OR MISUSE BY RECEIVER OR ANYONE AUTHORIZED BY RECEIVER OF DATA FILES; OR (2) DECLINE IN ACCURACY OF INFORMATION OR SCALE OR READABILITY OF DATA FILES; OR (3) ANY USE BY RECEIVER, OR ANYONE AUTHORIZED BY RECEIVER, OF DATA FILES FOR ADDITIONS TO THIS PROJECT, EXCEPTING ONLY SUCH AS IS AUTHORIZED IN WRITING BY CDM. RECEIVER AGREES TO DEFEND, INDEMNIFY AND HOLD HARMLESS CDM FROM AND AGAINST ANY AND ALL CLAIMS, DEMANDS, CAUSES OF ACTION, DAMAGES AND LIABILITY RESULTING FROM MODIFICATION, USE OR MISUSES OF DATA FILES.
3. CDM TRANSFERS THESE DATA FILES AS IS. CDM MAKES NO EXPRESS OR IMPLIED WARRANTY, INCLUDING, BUT NOT LIMITED TO, MERCHANTABILITY, FITNESS OR SUITABILITY OF DATA FILES FOR ANY PARTICULAR PURPOSE WHATSOEVER. CDM MAKES NO EXPRESS OR IMPLIED WARRANTY AS TO THE ACCURACY OF DATA IN THE FILES FOR ANY PURPOSE WHATSOEVER.
4. IT SHALL BE RECEIVER'S RESPONSIBILITY TO DETERMINE THE COMPATIBILITY OF DATA FILES WITH THE RECEIVER'S COMPUTER SOFTWARE AND HARDWARE. USE OF DATA FILES CONSTITUTES THE AGREEMENT OF THE RECEIVER (OR ANY OTHER USER) TO THESE TERMS AND CONDITIONS.
5. CDM'S TOTAL LIABILITY TO RECEIVER OR ANYONE AUTHORIZED BY RECEIVER OR DATA FILES FOR ANY AND ALL INJURIES, CLAIMS, LOSSES, EXPENSES OR DAMAGES WHATSOEVER FROM ANY CAUSE OR CAUSES, INCLUDING, BUT NOT LIMITED TO, CDM'S NEGLIGENCE, STRICT LIABILITY OR BREACH OF CONTRACT OR BREACH OF WARRANTY.



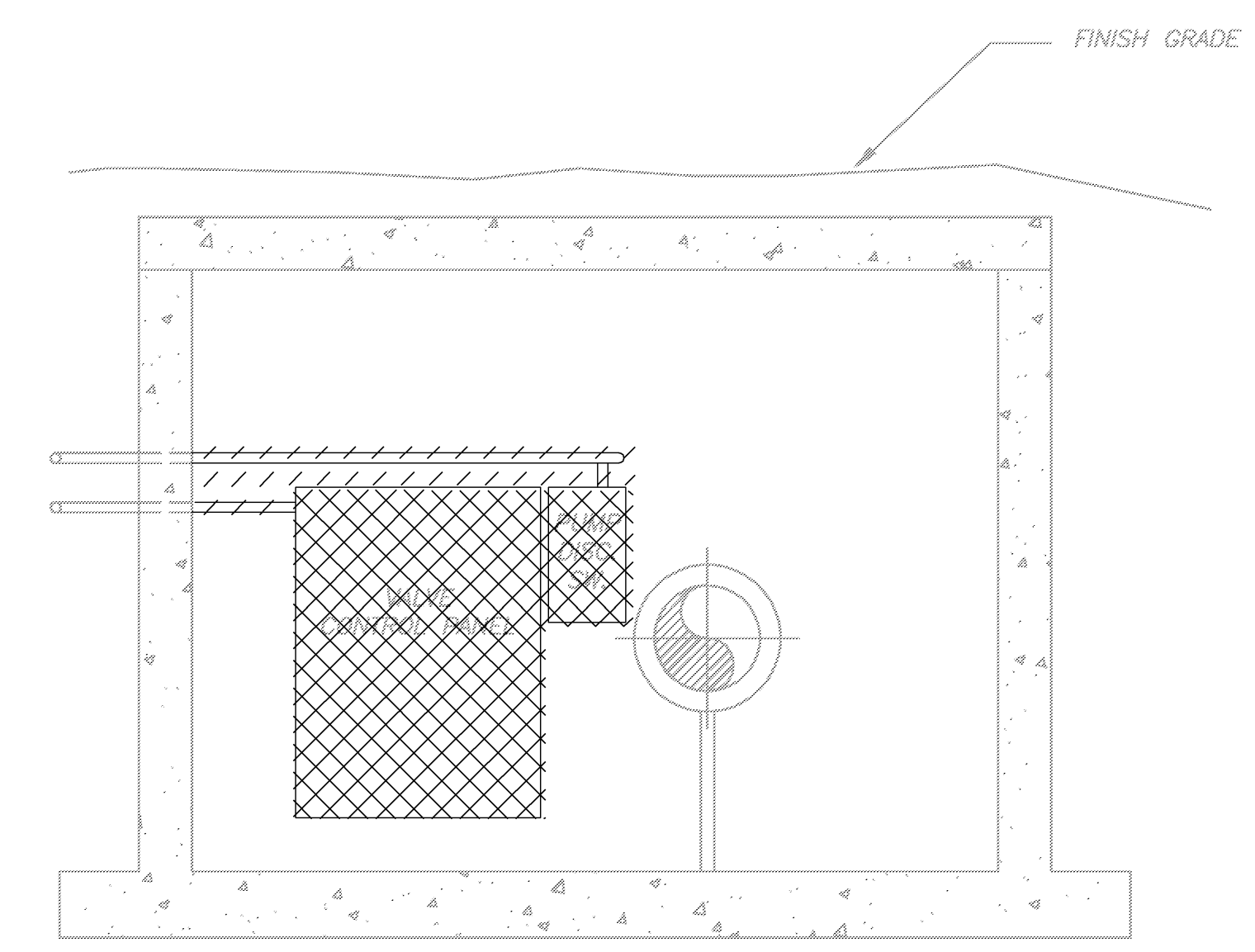
PLAN
1/2" = 1'-0"



- NOTES:**
1. DIMENSIONS, LOCATIONS AND ELEVATIONS OF THE BOOSTER STATION ARE PRESENTED AS ON TOWN OF LONGBOAT KEY PRESSURE BOOSTING STATION DRAWING SHEET 5, 1978. CONTRACTOR TO FIELD VERIFY ALL DIMENSIONS AND ELEVATIONS.
 2. EXISTING PUMP, PIPING, APPURTENANCES AND CONTROL PANEL TO BE DISPOSED OF OFF SITE.
 3. CONTRACTOR TO RELOCATE SUITABLE SURPLUS SOIL MATERIAL TO OWNER PROPERTY AT 280 GULF OF MEXICO DRIVE.
 4. SEE SECTION 01014 FOR MAINTENANCE OF FLOW REQUIREMENTS.
 5. CONTRACTOR SHALL TEMPORARILY RELOCATE EXISTING PUMP STATION CONTROL PANEL AS NECESSARY TO MAINTAIN OPERATION OF THE EXISTING SYSTEM DURING CONSTRUCTION. REMOVE CONTROL PANEL AND DELIVER TO OWNER ONCE NEW SYSTEM IS IN SERVICE.



SECTION 1
1/2" = 1'-0"
M-1



SECTION 2
1/2" = 1'-0"
M-1

RECORD DRAWINGS
THESE RECORD DRAWINGS HAVE BEEN PREPARED BASED ON INFORMATION PROVIDED BY OTHERS. THE ENGINEER HAS NOT VERIFIED THE ACCURACY OF THIS INFORMATION AND SHALL NOT BE RESPONSIBLE FOR ANY ERRORS OR OMISSIONS WHICH MAY BE INCORPORATED HEREIN AS A RESULT.
CAMP DRESSER & MCKEE INC. Date: DECEMBER 2007

CRAIG C. MONTGOMERY
P.E. NO. 45953

RECORD DRAWING

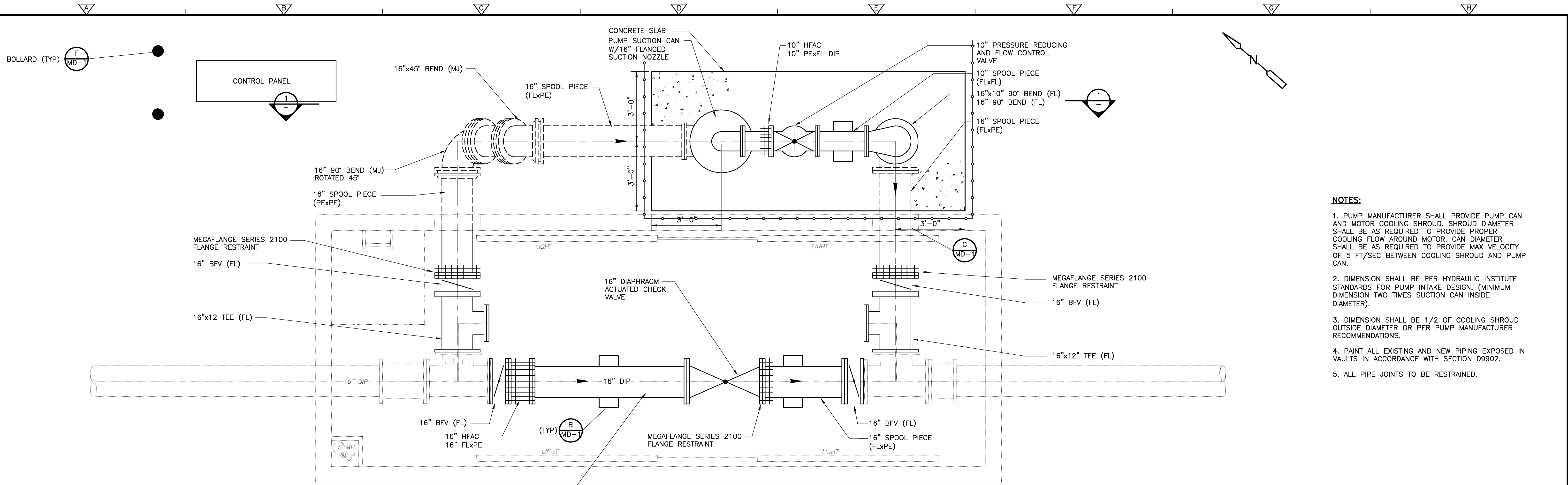
P:\2790\40654\Records\Mech\MBPLM01 12/11/07 13:37 oliveriw XREFS: mebase, CDM_2436

DESIGNED BY: W. SPRIGGS	<p>Camp Dresser & McKee 12501 World Plaza Lane, Building 51 Fort Myers, FL 33907 Tel: (239) 938-8600 FL COA No. EB-0000020 consulting • engineering • construction • operations</p>			
DRAWN BY: D. AUST				
SHEET CHK'D BY: C. MONTGOMERY				
CROSS CHK'D BY: W. SPRIGGS				
APPROVED BY: C. MONTGOMERY				
DATE: DECEMBER 2007	DATE: DECEMBER 2007			
REV. NO.	DATE	DRWN	CHKD	REMARKS

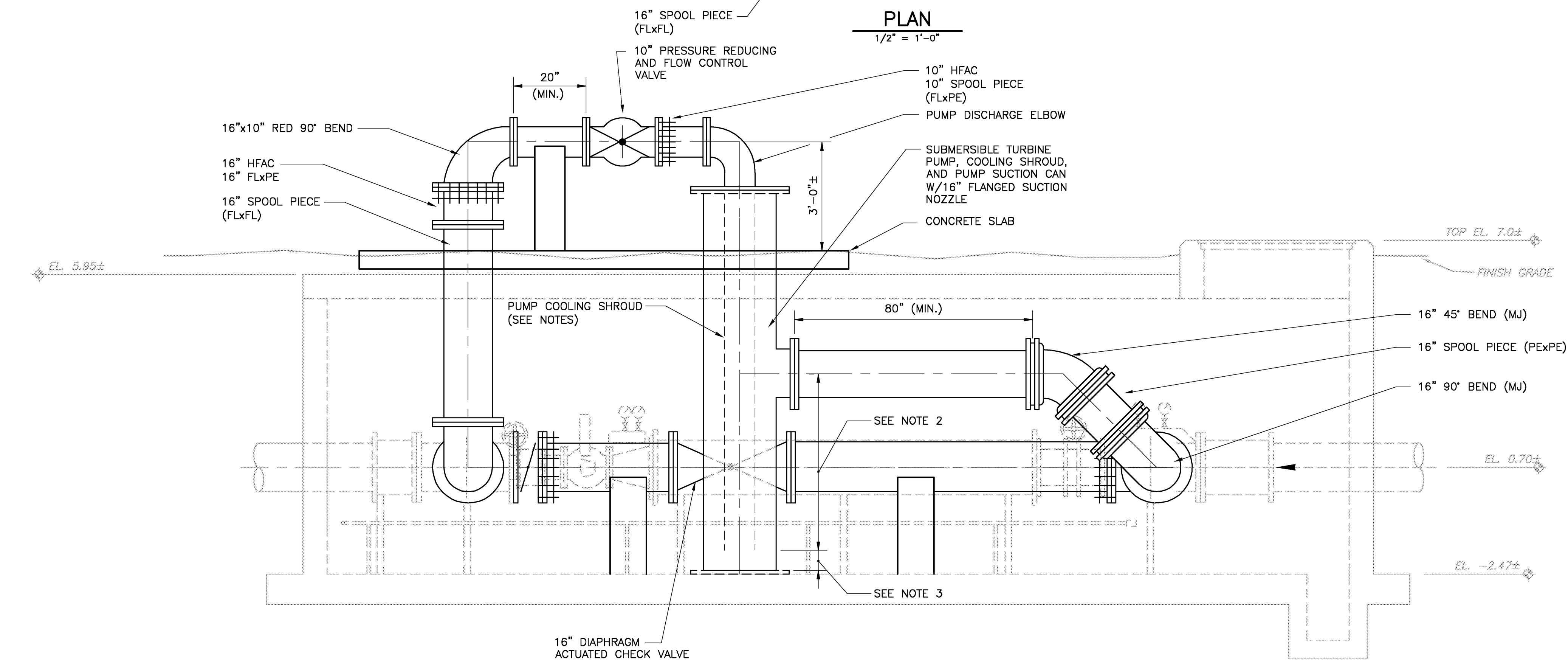
TOWN OF LONGBOAT KEY, FLORIDA
INLINE WATER BOOSTER STATION IMPROVEMENTS

EXISTING INLINE WATER BOOSTER STATION -DEMOLITION

PROJECT NO.	2790-40654
FILE NAME:	MLSDPM01.dwg
SHEET NO.	M-1



PLAN
1/2" = 1'-0"



SECTION 1
1/2" = 1'-0"
M-1

- NOTES:**
1. PUMP MANUFACTURER SHALL PROVIDE PUMP CAN AND MOTOR COOLING SHROUD. SHROUD DIAMETER SHALL BE AS REQUIRED TO PROVIDE PROPER COOLING FLOW AROUND MOTOR. CAN DIAMETER SHALL BE AS REQUIRED TO PROVIDE MAX VELOCITY OF 5 FT/SEC BETWEEN COOLING SHROUD AND PUMP CAN.
 2. DIMENSION SHALL BE PER HYDRAULIC INSTITUTE STANDARDS FOR PUMP INTAKE DESIGN. (MINIMUM DIMENSION TWO TIMES SUCTION CAN INSIDE DIAMETER).
 3. DIMENSION SHALL BE 1/2 OF COOLING SHROUD OUTSIDE DIAMETER OR PER PUMP MANUFACTURER RECOMMENDATIONS.
 4. PAINT ALL EXISTING AND NEW PIPING EXPOSED IN VAULTS IN ACCORDANCE WITH SECTION 09902.
 5. ALL PIPE JOINTS TO BE RESTRAINED.

THE ELECTRONIC DATA FILE(S) ("DATA FILES") CONTAINED HEREIN IS/ARE PROVIDED BY CAMP DRESSER & MCKEE INC. ("CDM") EXPRESSLY SUBJECT TO THE FOLLOWING TERMS AND CONDITIONS:

1. THE INFORMATION CONTAINED ON THE ELECTRONIC MEDIA IS CONSIDERED A CHARACTERIZATION OF CDM'S ORIGINAL WORK AND ACCURATELY REFLECTS SUCH WORK AT THE TIME THIS ELECTRONIC MEDIA WAS DELIVERED BY CDM TO THE PERSON OR ENTITY ACQUIRING DATA FILES DIRECTLY FROM CDM ("RECEIVER"). RECEIVER AGREES THAT DATA FILES SHALL NOT BE USED ON OTHER PROJECTS NOR TRANSFERRED TO ANY OTHER PARTY EXCEPT BY WRITTEN AGREEMENT WITH CDM. USE OF SUCH DATA FILES IS AT THE USER'S SOLE RISK AND WITHOUT LIABILITY OR LEGAL EXPOSURE TO CDM.
2. CDM SHALL NOT BE LIABLE FOR CLAIMS, LIABILITIES OR LOSSES ARISING OUT OF OR CONNECTED WITH (1) MODIFICATION OR MISUSE BY RECEIVER OR ANYONE AUTHORIZED BY RECEIVER OF DATA FILES; OR (2) DECLINE IN ACCURACY OF INFORMATION OR SCALE OR READABILITY OF DATA FILES; OR (3) ANY USE BY RECEIVER, OR ANYONE AUTHORIZED BY RECEIVER, OF DATA FILES FOR ADDITIONS TO THIS PROJECT, EXCEPTING ONLY SUCH AS IS AUTHORIZED IN WRITING BY CDM. RECEIVER AGREES TO DEFEND, INDEMNIFY AND HOLD HARMLESS CDM FROM AND AGAINST ANY AND ALL CLAIMS, DEMANDS, CAUSES OF ACTION, DAMAGES AND LIABILITY RESULTING FROM MODIFICATION, USE OR MISUSES OF DATA FILES.
3. CDM TRANSFERS THESE DATA FILES AS IS. CDM MAKES NO EXPRESS OR IMPLIED WARRANTY, INCLUDING, BUT NOT LIMITED TO, MERCHANTABILITY, FITNESS OR SUITABILITY OF DATA FILES FOR ANY PARTICULAR PURPOSE WHATSOEVER. CDM MAKES NO EXPRESS OR IMPLIED WARRANTY AS TO THE ACCURACY OF DATA IN THE FILES FOR ANY PURPOSE WHATSOEVER.
4. IT SHALL BE RECEIVER'S RESPONSIBILITY TO DETERMINE THE COMPATIBILITY OF DATA FILES WITH THE RECEIVER'S COMPUTER SOFTWARE AND HARDWARE. USE OF DATA FILES CONSTITUTES THE AGREEMENT OF THE RECEIVER (OR ANY OTHER USER) TO THESE TERMS AND CONDITIONS.
5. CDM'S TOTAL LIABILITY TO RECEIVER OR ANYONE AUTHORIZED BY RECEIVER OR DATA FILES FOR ANY AND ALL INJURIES, CLAIMS, LOSSES, EXPENSES OR DAMAGES WHATSOEVER FROM ANY CAUSE OR CAUSES, INCLUDING, BUT NOT LIMITED TO, CDM'S NEGLIGENCE, STRICT LIABILITY OR BREACH OF CONTRACT OR BREACH OF WARRANTY.

RECORD DRAWINGS

THESE RECORD DRAWINGS HAVE BEEN PREPARED BASED ON INFORMATION PROVIDED BY OTHERS. THE ENGINEER HAS NOT VERIFIED THE ACCURACY OF THIS INFORMATION AND SHALL NOT BE RESPONSIBLE FOR ANY ERRORS OR OMISSIONS WHICH MAY BE INCORPORATED HEREIN AS A RESULT.

CAMP DRESSER & MCKEE INC. Date: DECEMBER 2007

CRAIG C. MONTGOMERY
P.E. NO. 45953

RECORD DRAWING

P:\2790\40654\Record\Mech\WBPLM02 12/12/07 09:25 oliverw XREES: mebase, mbase, CDM_2436

REV. NO.	DATE	DRWN	CHKD	REMARKS
12/07	IWO	WMS		RECORD DRAWINGS

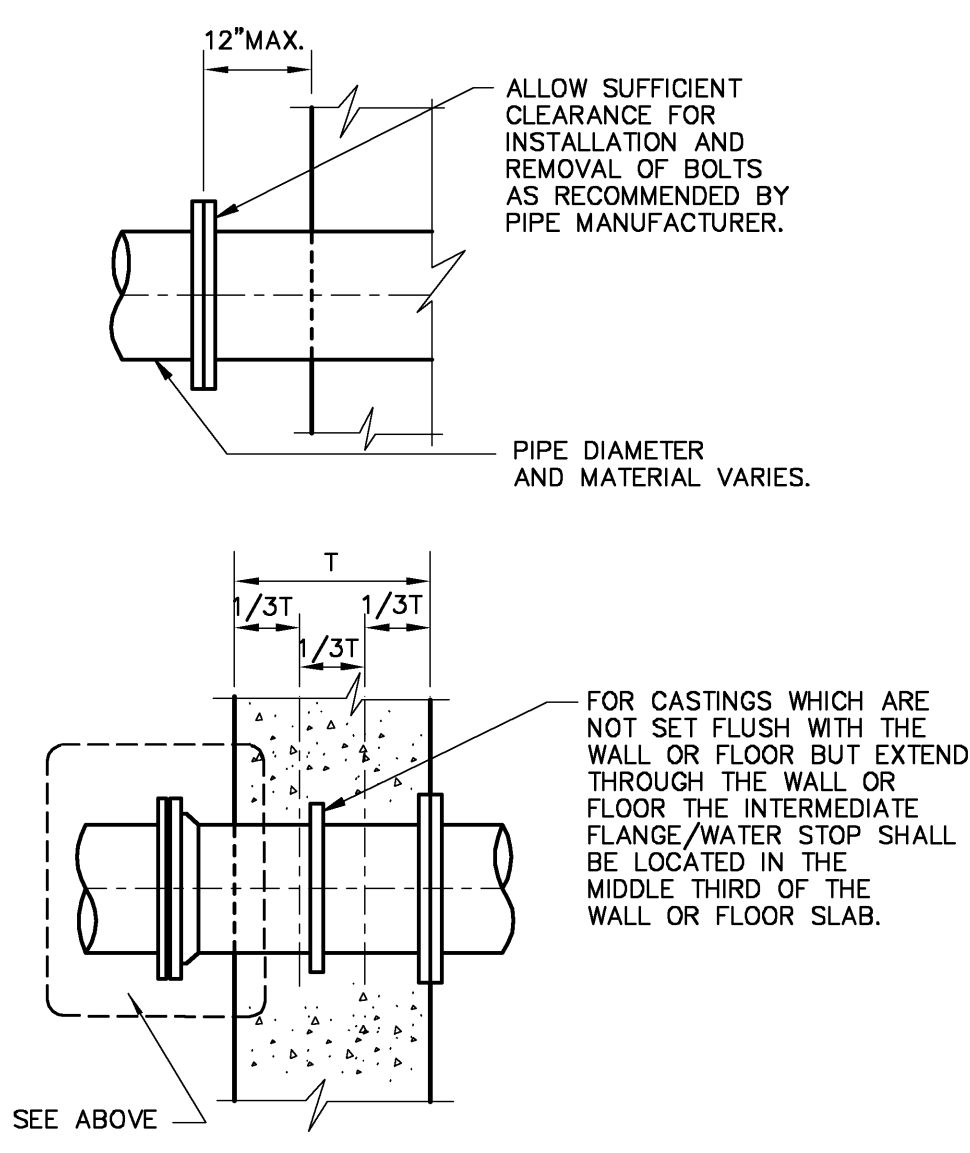
DESIGNED BY: W. SPRIGGS
DRAWN BY: D. AUST
SHEET CHK'D BY: C. MONTGOMERY
CROSS CHK'D BY: W. SPRIGGS
APPROVED BY: C. MONTGOMERY
DATE: DECEMBER 2007

CDM
Camp Dresser & McKee
12501 World Plaza Lane, Building 51
Fort Myers, FL 33907
Tel: (239) 938-8600
FL COA No. EB-0000020
consulting • engineering • construction • operations

TOWN OF LONGBOAT KEY, FLORIDA
INLINE WATER BOOSTER STATION IMPROVEMENTS

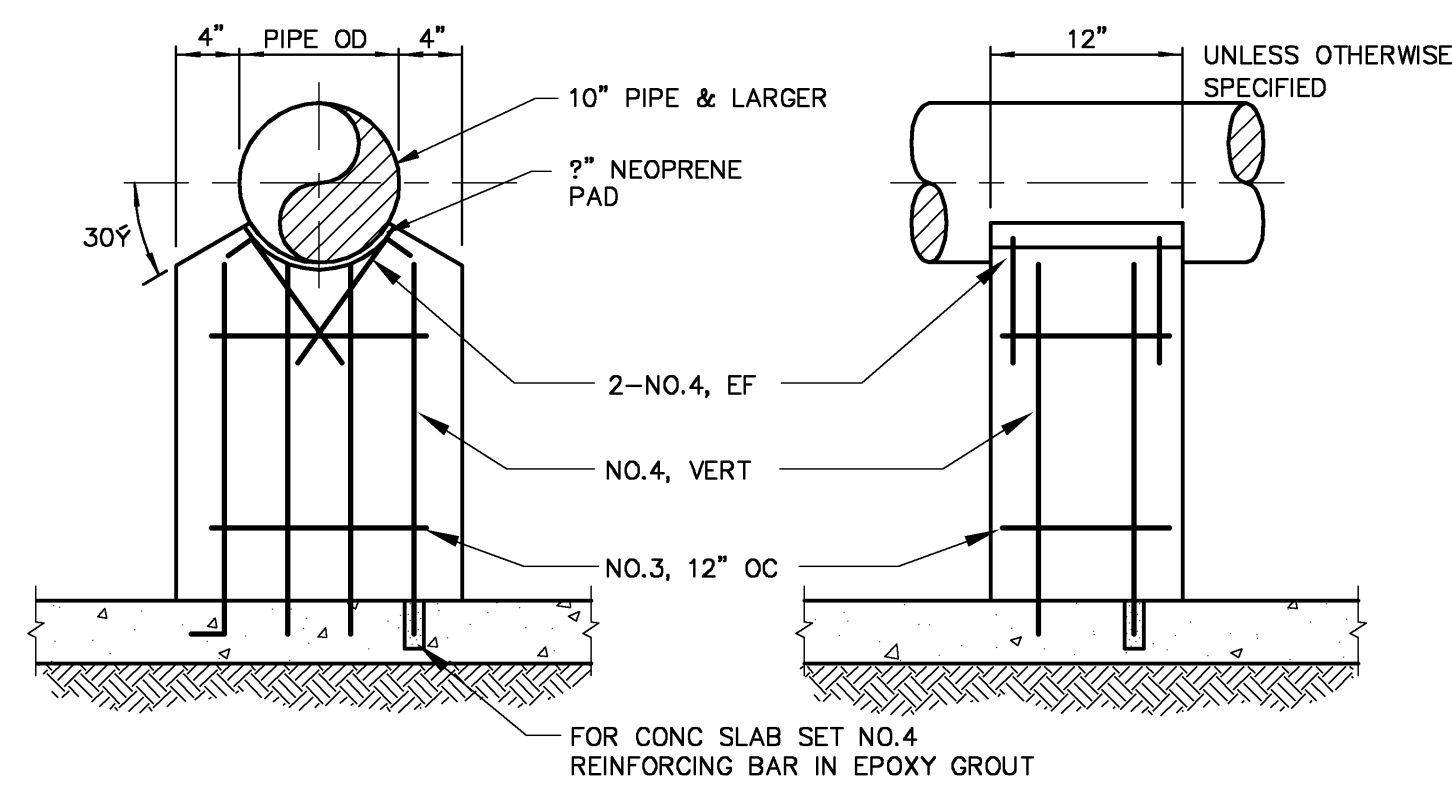
**INLINE WATER BOOSTER STATION
-MODIFICATIONS**

PROJECT NO. 2790-40654
FILE NAME: MLSDPM02.dwg
SHEET NO. M-2



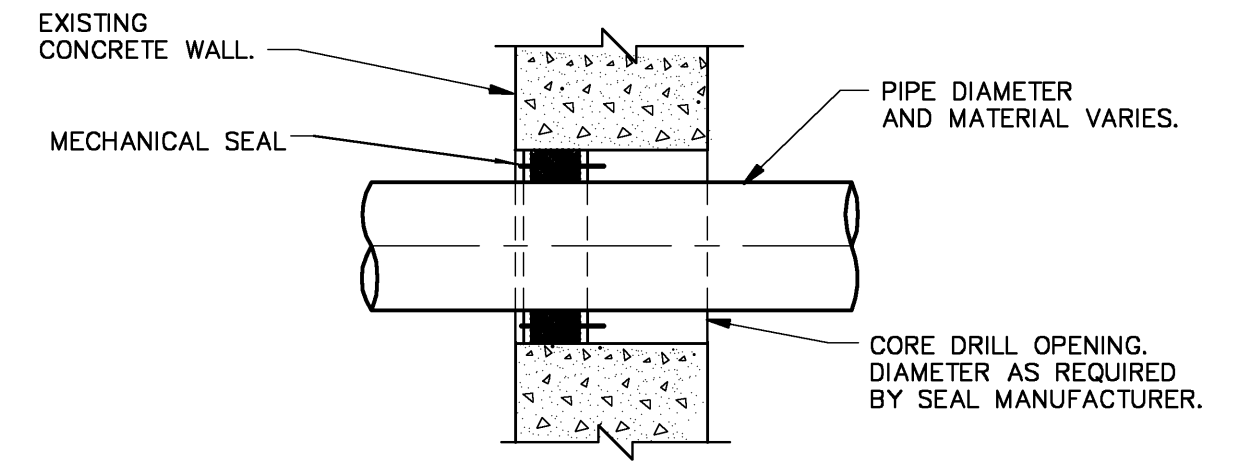
CASTING WITH NON-FLUSH JOINTS

DETAIL A NTS



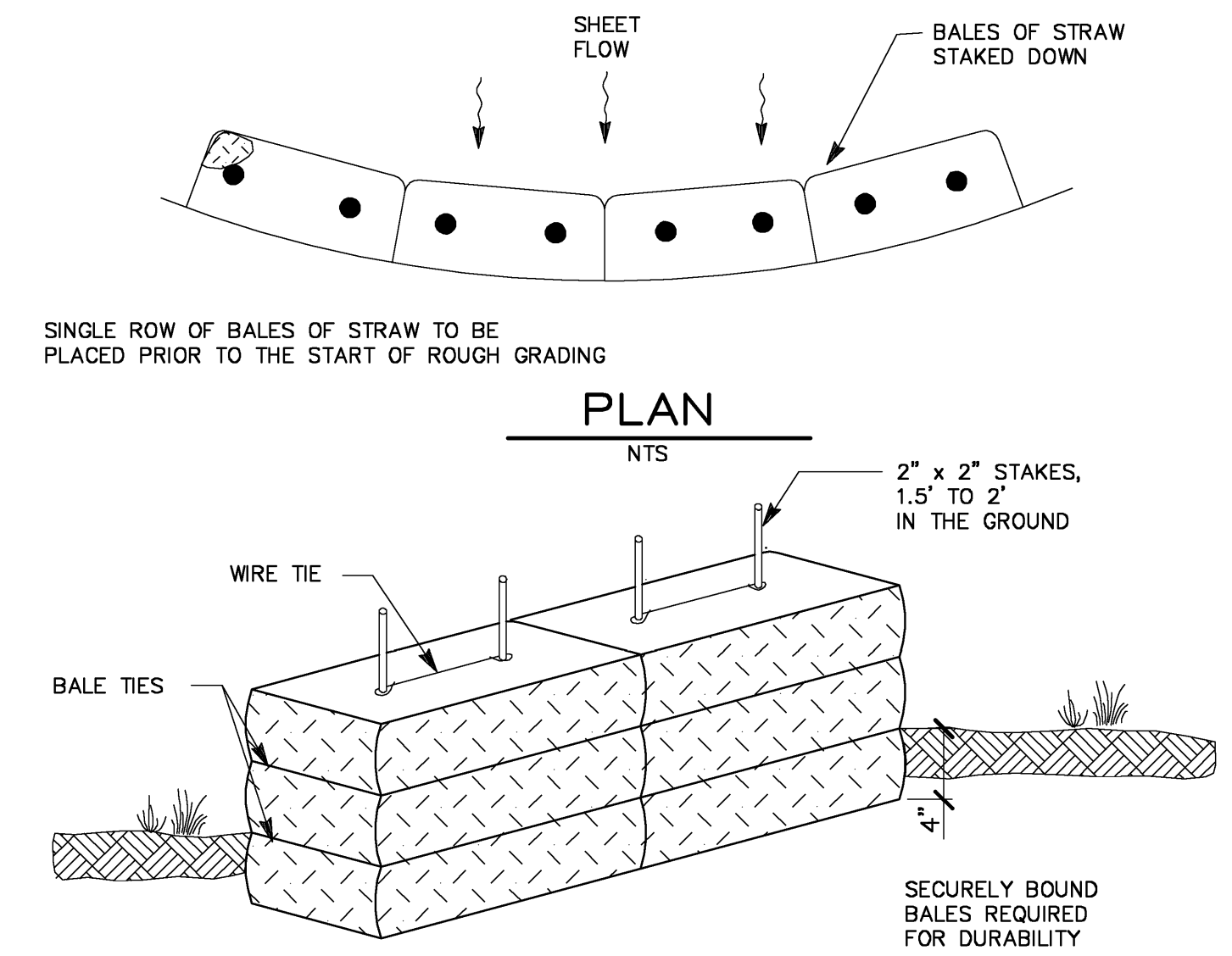
10" PIPE AND LARGER

DETAIL B NTS



CORE DRILLED OPENING AND MECHANICAL SEAL PENETRATION THROUGH EXISTING CONCRETE

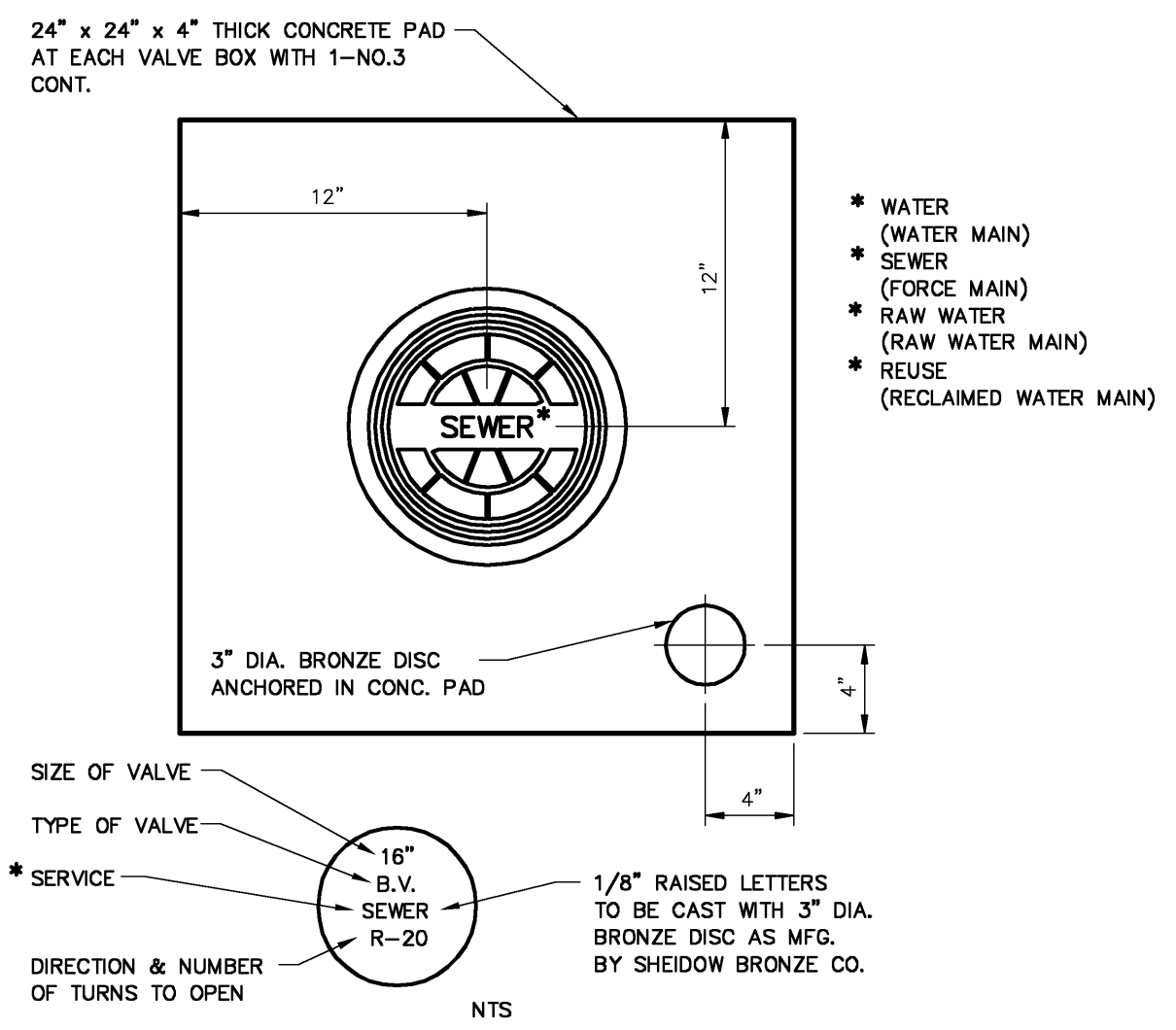
DETAIL C NTS



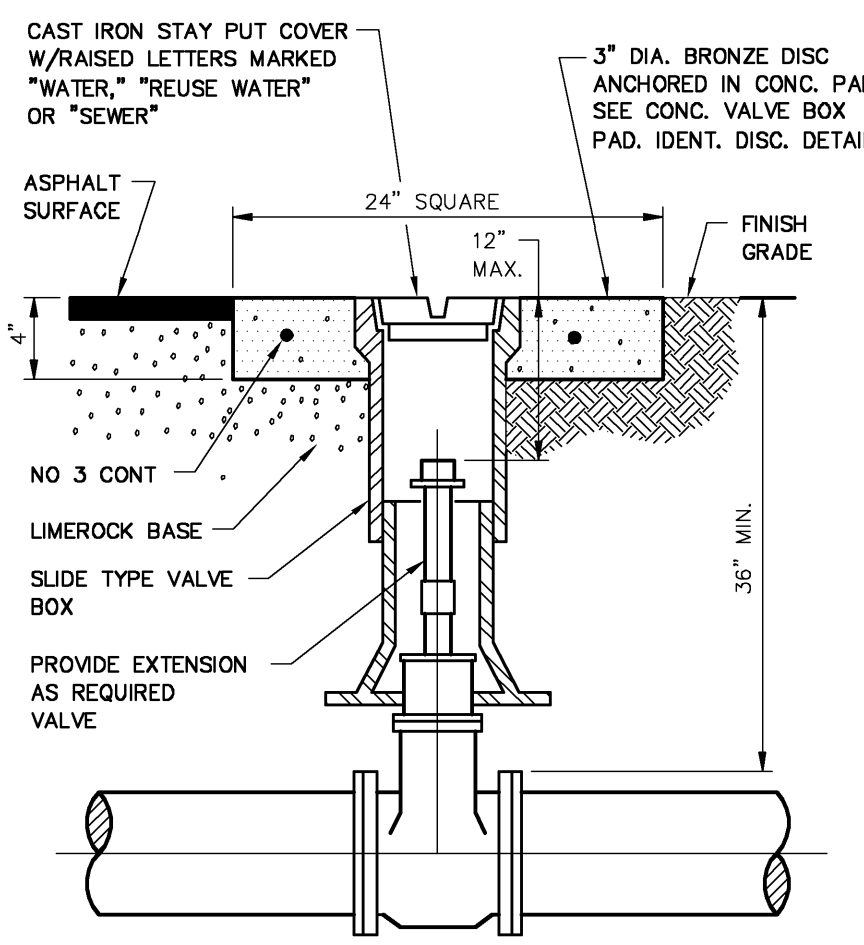
STRAW BALE SEDIMENT BARRIER DOT INDEX NO. 102

DETAIL D NTS

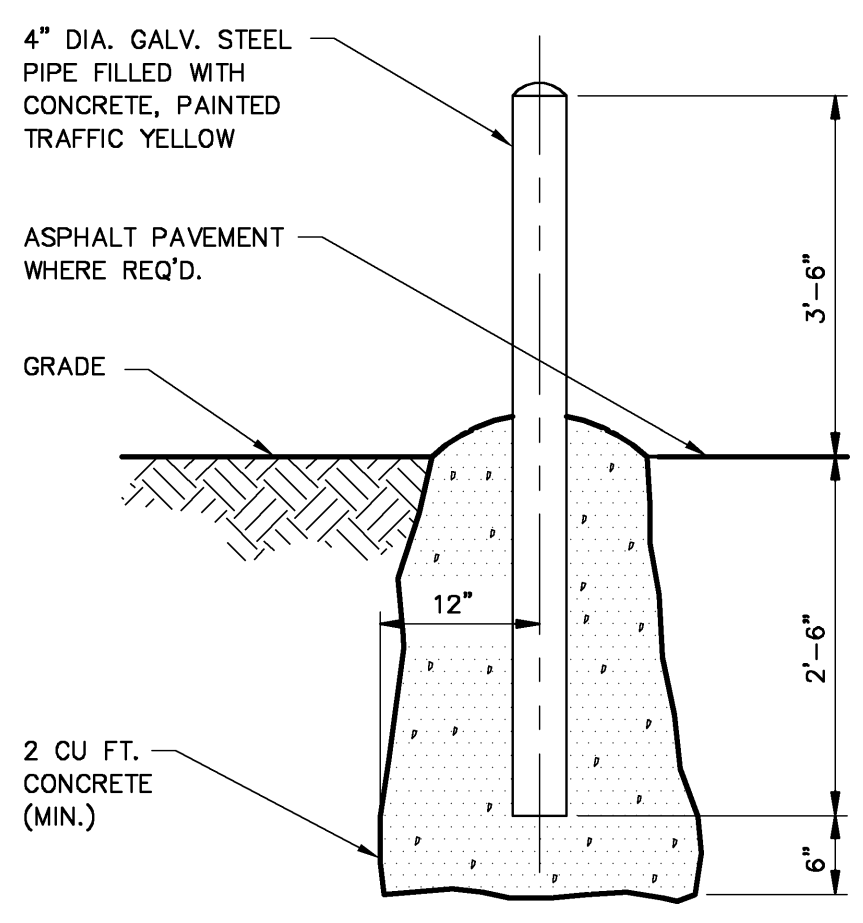
NOTE TO CONTRACTOR: EROSION CONTROL MEASURES
 REQUIRED EROSION CONTROL MEASURES MUST REMAIN INTACT THROUGHOUT CONSTRUCTION. FAILURE TO INSTALL OR PROPERLY MAINTAIN THESE BARRICADES WILL RESULT IN ENFORCEMENT ACTION WHICH MAY INCLUDE CITATIONS, AS PROVIDED BY ORDINANCE 90-17, AND CHAPTER 400-4 AND 400-40, F.A.C. INITIATION OF CIVIL PENALTY PROCEDURES PURSUANT TO SECTION 373.129 F.A.C., CAN RESULT IN A PENALTY NOT TO EXCEED \$10,000 PER OFFENSE WITH EACH DATE DURING WHICH SUCH VIOLATION OCCURS CONSTITUTING A SEPARATE OFFENSE.



CONCRETE VALVE PAD/IDENT. DISC.

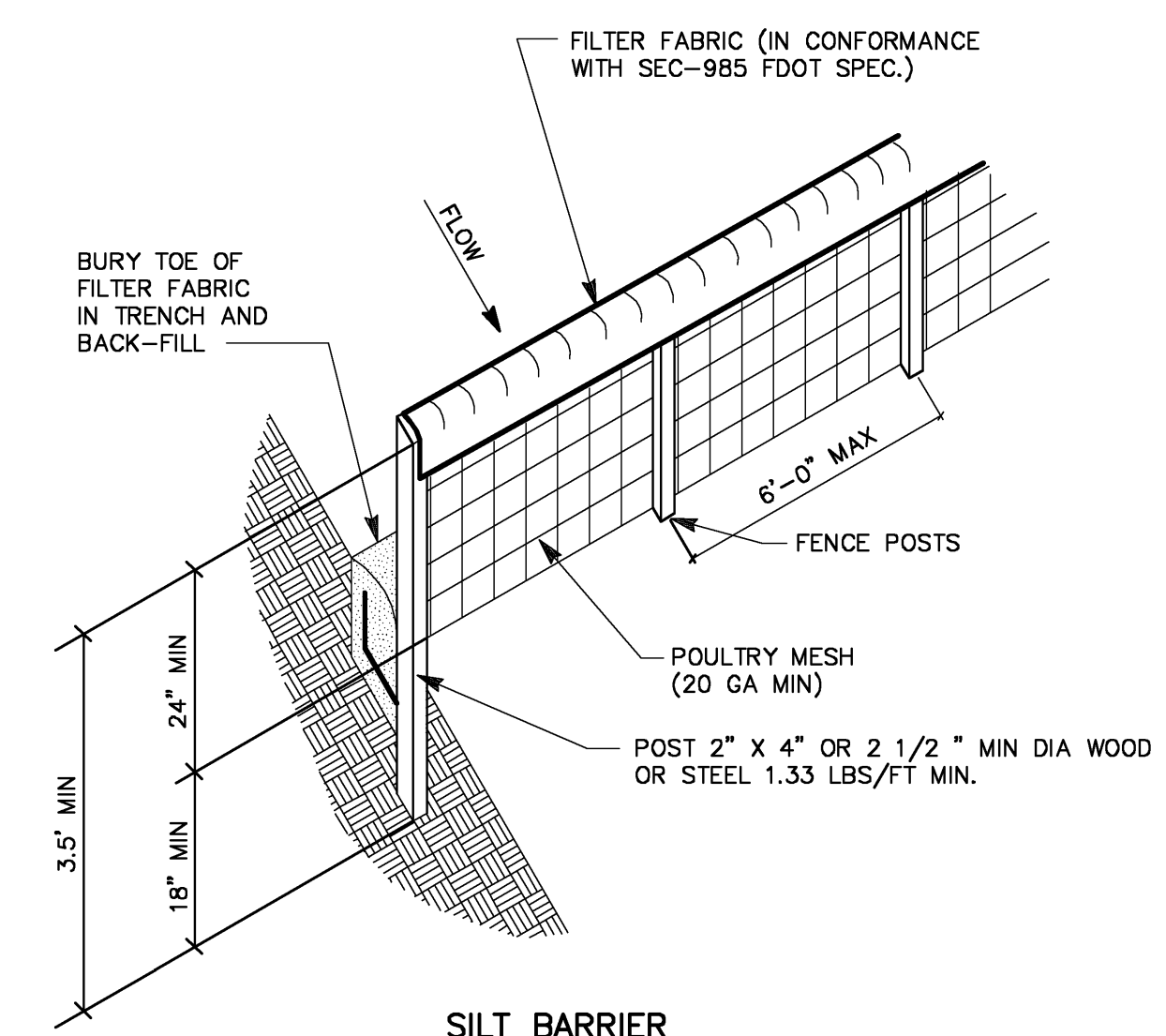


VALVE AND BOX NTS



GUARD POST

DETAIL F NTS

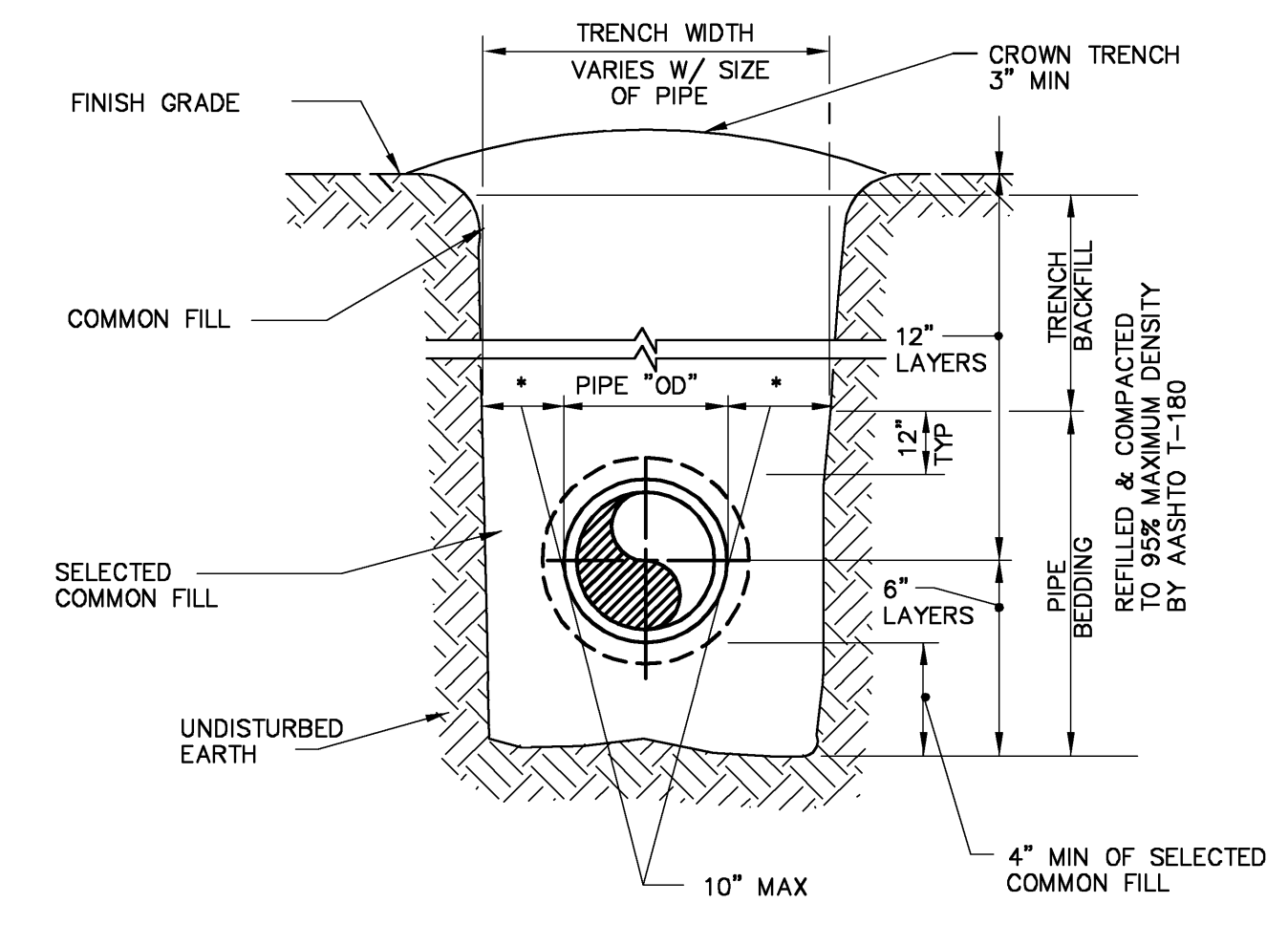


SILT BARRIER DOT INDEX NO. 102

DETAIL E NTS

THE ELECTRONIC DATA FILE(S) ("DATA FILES") CONTAINED HEREIN IS/ARE PROVIDED BY CAMP DRESSER & MCKEE INC. ("CDM") EXPRESSLY SUBJECT TO THE FOLLOWING TERMS AND CONDITIONS:

1. THE INFORMATION CONTAINED ON THE ELECTRONIC MEDIA IS CONSIDERED A CHARACTERIZATION OF CDM'S ORIGINAL WORK AND ACCURATELY REFLECTS SUCH WORK AT THE TIME THIS ELECTRONIC MEDIA WAS DELIVERED BY CDM TO THE PERSON OR ENTITY ACQUIRING DATA FILES DIRECTLY FROM CDM ("RECEIVER"). RECEIVER AGREES THAT DATA FILES SHALL NOT BE USED ON OTHER PROJECTS NOR TRANSFERRED TO ANY OTHER PARTY EXCEPT BY WRITTEN AGREEMENT WITH CDM. USE OF SUCH DATA FILES IS AT THE USER'S SOLE RISK AND WITHOUT LIABILITY OR LEGAL EXPOSURE TO CDM.
2. CDM SHALL NOT BE LIABLE FOR CLAIMS, LIABILITIES OR LOSSES ARISING OUT OF OR CONNECTED WITH (1) MODIFICATION OR MISUSE BY RECEIVER OR ANYONE AUTHORIZED BY RECEIVER OF DATA FILES; OR (2) DECLINE IN ACCURACY OF INFORMATION OR SCALE OR READABILITY OF DATA FILES; OR (3) ANY USE BY RECEIVER, OR ANYONE AUTHORIZED BY RECEIVER, OF DATA FILES FOR ADDITIONS TO THIS PROJECT, EXCEPTING ONLY SUCH AS IS AUTHORIZED IN WRITING BY CDM. RECEIVER AGREES TO DEFEND, INDEMNIFY AND HOLD HARMLESS CDM FROM AND AGAINST ANY AND ALL CLAIMS, DEMANDS, CAUSES OF ACTION, DAMAGES AND LIABILITY RESULTING FROM MODIFICATION, USE OR MISUSES OF DATA FILES.
3. CDM TRANSFERS THESE DATA FILES AS IS. CDM MAKES NO EXPRESS OR IMPLIED WARRANTY, INCLUDING, BUT NOT LIMITED TO, MERCHANTABILITY, FITNESS OR SUITABILITY OF DATA FILES FOR ANY PARTICULAR PURPOSE WHATSOEVER. CDM MAKES NO EXPRESS OR IMPLIED WARRANTY AS TO THE ACCURACY OF DATA IN THE FILES FOR ANY PURPOSE WHATSOEVER.
4. IT SHALL BE RECEIVER'S RESPONSIBILITY TO DETERMINE THE COMPATIBILITY OF DATA FILES WITH THE RECEIVER'S COMPUTER SOFTWARE AND HARDWARE. USE OF DATA FILES CONSTITUTES THE AGREEMENT OF THE RECEIVER (OR ANY OTHER USER) TO THESE TERMS AND CONDITIONS.
5. CDM'S TOTAL LIABILITY TO RECEIVER OR ANYONE AUTHORIZED BY RECEIVER OR DATA FILES FOR ANY AND ALL INJURIES, CLAIMS, LOSSES, EXPENSES OR DAMAGES WHATSOEVER FROM ANY CAUSE OR CAUSES, INCLUDING, BUT NOT LIMITED TO, CDM'S NEGLIGENCE, STRICT LIABILITY OR BREACH OF CONTRACT OR BREACH OF WARRANTY.



UNIMPROVED SURFACE TYPE A-1 PIPE BEDDING

RECORD DRAWINGS
 THESE RECORD DRAWINGS HAVE BEEN PREPARED BASED ON INFORMATION PROVIDED BY OTHERS. THE ENGINEER HAS NOT VERIFIED THE ACCURACY OF THIS INFORMATION AND SHALL NOT BE RESPONSIBLE FOR ANY ERRORS OR OMISSIONS WHICH MAY BE INCORPORATED HEREIN AS A RESULT.
 CAMP DRESSER & MCKEE INC. Date: DECEMBER 2007

CRAIG C. MONTGOMERY
 P.E. NO. 45953

RECORD DRAWING

P:\2790\40654\Record\Mech\Details\MSDDTMD1 12/12/07 09:32 oliverw XREFS; CDM_2436

DESIGNED BY:	W. SPRIGGS
DRAWN BY:	D. AUST
SHEET CHK'D BY:	C. MONTGOMERY
CROSS CHK'D BY:	W. SPRIGGS
APPROVED BY:	C. MONTGOMERY
DATE:	DECEMBER 2007

CDM
 Camp Dresser & McKee
 12501 World Plaza Lane, Building 51
 Fort Myers, FL 33907
 Tel: (239) 938-9600
 FL COA No. EB-0000020
 consulting • engineering • construction • operations

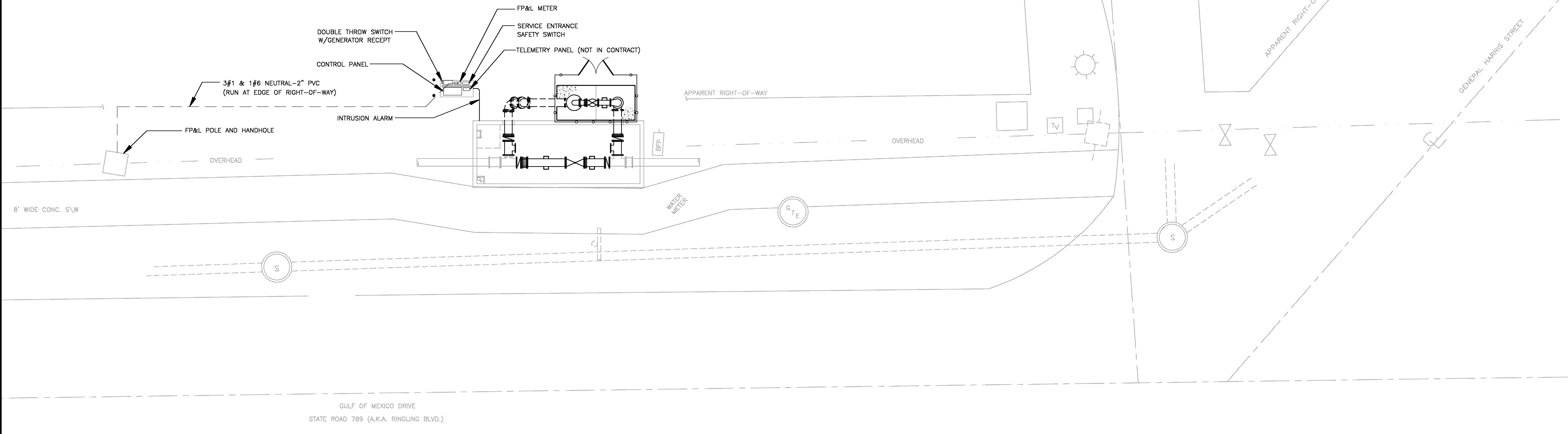
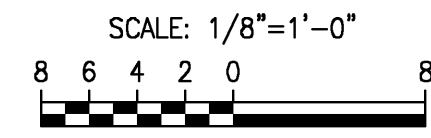
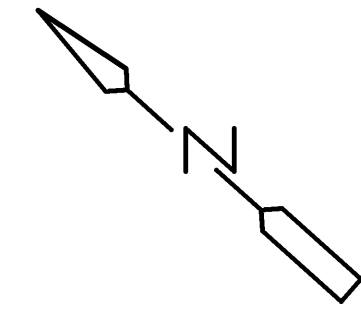
TOWN OF LONGBOAT KEY, FLORIDA
INLINE WATER BOOSTER STATION IMPROVEMENTS

MISCELLANEOUS DETAILS
 SHEET NO. MD-1

PROJECT NO.	2790-40654
FILE NAME:	MSDDTMD1.dwg
SHEET NO.	MD-1

NOTE:

1. CONTRACTOR SHALL RELOCATE THE EXISTING CONTROL PANEL AND ASSOCIATED WIRING AS REQUIRED TO ALLOW THE STATION TO CONTINUE TO OPERATE WITH MINIMUM INTERRUPTION DURING CONSTRUCTION. FOLLOWING COMPLETION OF THE NEW WORK, CONTRACTOR SHALL DEMOLISH THE EXISTING CONTROL PANEL.
2. CONTRACTOR SHALL DEMOLISH EXISTING LUMINAIRES AND SURFACE MOUNTED DEVICES. REMOVE EXPOSED CONDUITS BACK TO POINT OF CONCEALMENT, WHERE THEY SHALL BE CUT AND CAPPED. REMOVE UNUSED WIRING IN CONCEALED CONDUITS BACK TO SOURCE (OR NEAREST POINT OF USAGE). REMOVE WIREWAYS, OUTLET BOXES, PULLBOXES AND HANGERS MADE OBSOLETE BY THE ALTERATIONS.
3. REFER TO MECHANICAL DRAWING M-1 FOR ELECTRICAL COMPONENTS TO BE DEMOLISHED.
4. CONTRACTOR TO COORDINATE WITH JOEL WHIDDEN AT FP&L, (941) 927-4261.



CHARLES S. STEIN, P.E.
 Florida P.E. #39324
 14721 Bonaire Blvd, #202
 Delray Beach, Florida 33446
 e-mail: SteinCS@aol.com

RECORD DRAWINGS
 THESE RECORD DRAWINGS HAVE BEEN PREPARED BASED ON INFORMATION PROVIDED BY OTHERS. THE ENGINEER HAS NOT VERIFIED THE ACCURACY OF THIS INFORMATION AND SHALL NOT BE RESPONSIBLE FOR ANY ERRORS OR OMISSIONS WHICH MAY BE INCORPORATED HEREIN AS A RESULT.
 CAMP DRESSER & McKEE INC. Date DECEMBER 2007

CHARLES S. STEIN
 P.E. NO. 39324

RECORD DRAWING

REV. NO.	DATE	DRWN	CHKD	REMARKS
	12/07	IWO	WMS	RECORD DRAWINGS

DESIGNED BY: C. STEIN
 DRAWN BY: C. STEIN
 SHEET CHK'D BY: C. MONTGOMERY
 CROSS CHK'D BY: A. ROSS
 APPROVED BY: C. STEIN
 DATE: DECEMBER 2007

CDM
 Camp Dresser & McKee
 12501 World Plaza Lane, Building 51
 Fort Myers, FL 33907
 Tel: (239) 938-8600
 FL COA No. EB-0000020
 consulting • engineering • construction • operations

TOWN OF LONGBOAT KEY, FLORIDA
INLINE WATER BOOSTER STATION IMPROVEMENTS

SITE PLAN

PROJECT NO. 2790-40654
 FILE NAME: E01.dwg
 SHEET NO.
E-1

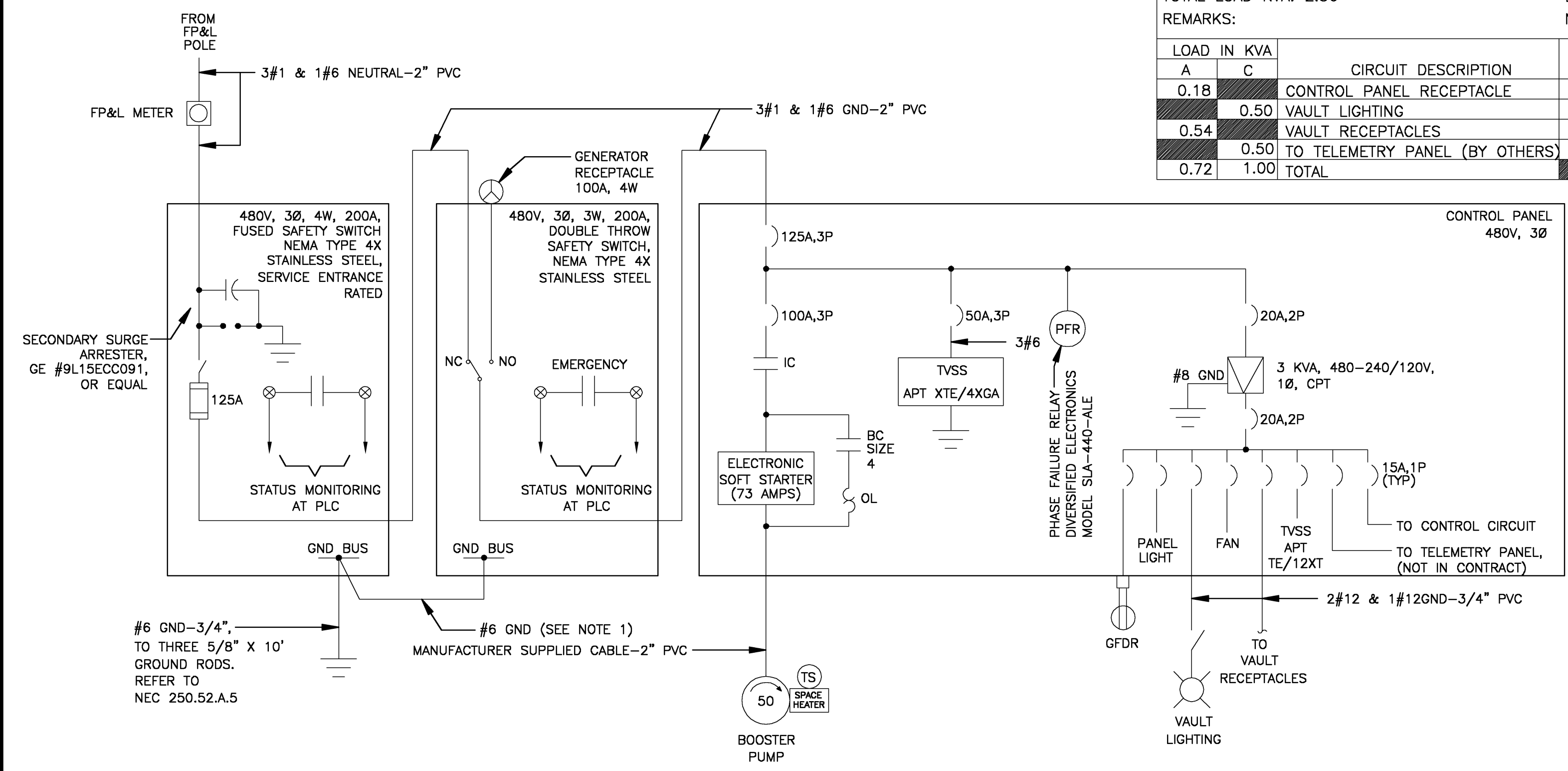
P:\2790\40654\Record\Elec\E01_12/12/07_09:51_oliveriw_XREFS: CDM_2436

PANEL: LP		LOCATION: INSIDE CONTROL PANEL 'CP'	
SERVICE VOLTAGE: 240/120		PHASE: 1	
TOTAL LOAD KVA: 2.36		WIRE: 3	
REMARKS:		BUS SIZE: 100	
		NEUTRAL: FULL	
		MAIN SIZE: 40A,2P	
		MOUNTING: INTERNAL	
		TYPE: BKR	

LOAD IN KVA		CIRCUIT DESCRIPTION		BKR A/P	CKT NO.	CKT NO.	BKR A/P	CIRCUIT DESCRIPTION		LOAD IN KVA	
A	C							A	C		
0.18			CONTROL PANEL RECEPTACLE	15/1	1	2	15/1	CONTROL PANEL LIGHTING	0.06		
0.50			VAULT LIGHTING	15/1	3	4	15/1	CONTROL PANEL FAN		0.08	
0.54			VAULT RECEPTACLES	15/1	5	6	15/1	TVSS	N/A		
	0.50		TO TELEMETRY PANEL (BY OTHERS)	15/1	7	8	15/1	TO CONTROL CIRCUIT		0.50	
0.72	1.00		TOTAL					TOTAL	0.06	0.58	

LOAD TABULATION:

DESCRIPTION	LOAD	AMPACITY
PUMP	50 HP	= 73.0 A
MISC LOADS, SEE SCHEDULE "LP"	3.66 KVA	= 7.6 A
	CONNECTED LOAD =	80.6 A
SERVICE ENTRANCE = 80.6 AMPS + (0.25)(73.0 AMPS) = 98.9 AMPS		



SINGLE LINE DIAGRAM

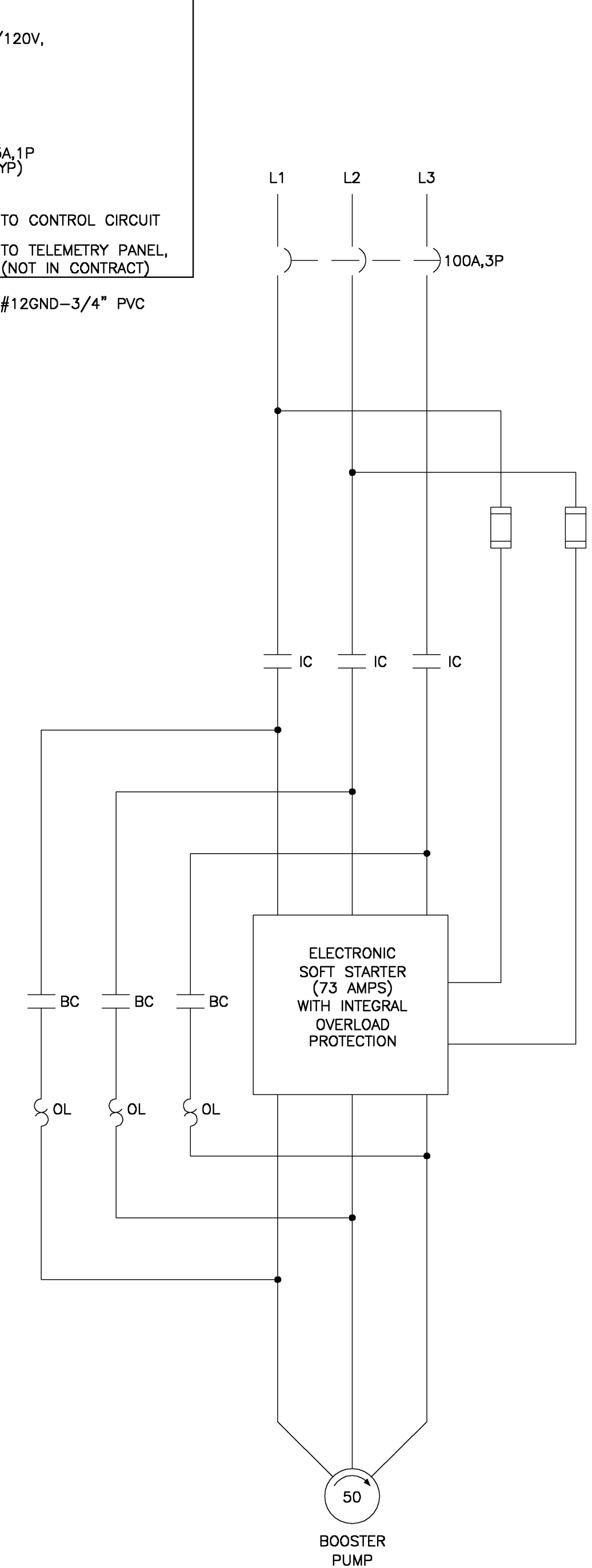
- ABBREVIATIONS**
- BC - BYPASS CONTACTOR
 - CPT - CONTROL POWER TRANSFORMER (480V-120V)
 - ETM - ELAPSED TIME METER
 - GFDR - GROUND FAULT DUPLEX RECEPTACLE
 - GND - GROUND
 - GR - GENERATOR RECEPTACLE
 - HOA - HAND-OFF-AUTO SWITCH
 - IC - ISOLATION CONTACTOR
 - NC - NORMALLY CLOSED
 - NO - NORMALLY OPEN
 - OL - OVERLOAD RELAYS
 - PFR - PHASE FAULT RELAY
 - PVC - POLYVINYL CHLORIDE CONDUIT
 - TVSS - TRANSIENT VOLTAGE SURGE SUPPRESSOR

- SYMBOLS, SINGLE LINE DIAGRAM**
- 30A,2P - CIRCUIT BREAKER, TRIP RATING AND NUMBER OF POLES AS INDICATED
 - IC - CONTACTOR
 - OL - OVERLOAD RELAYS
 - TRANSFORMER
 - DUPLEX RECEPTACLE
 - MOTOR THERMOSTAT
 - LIMIT SWITCH

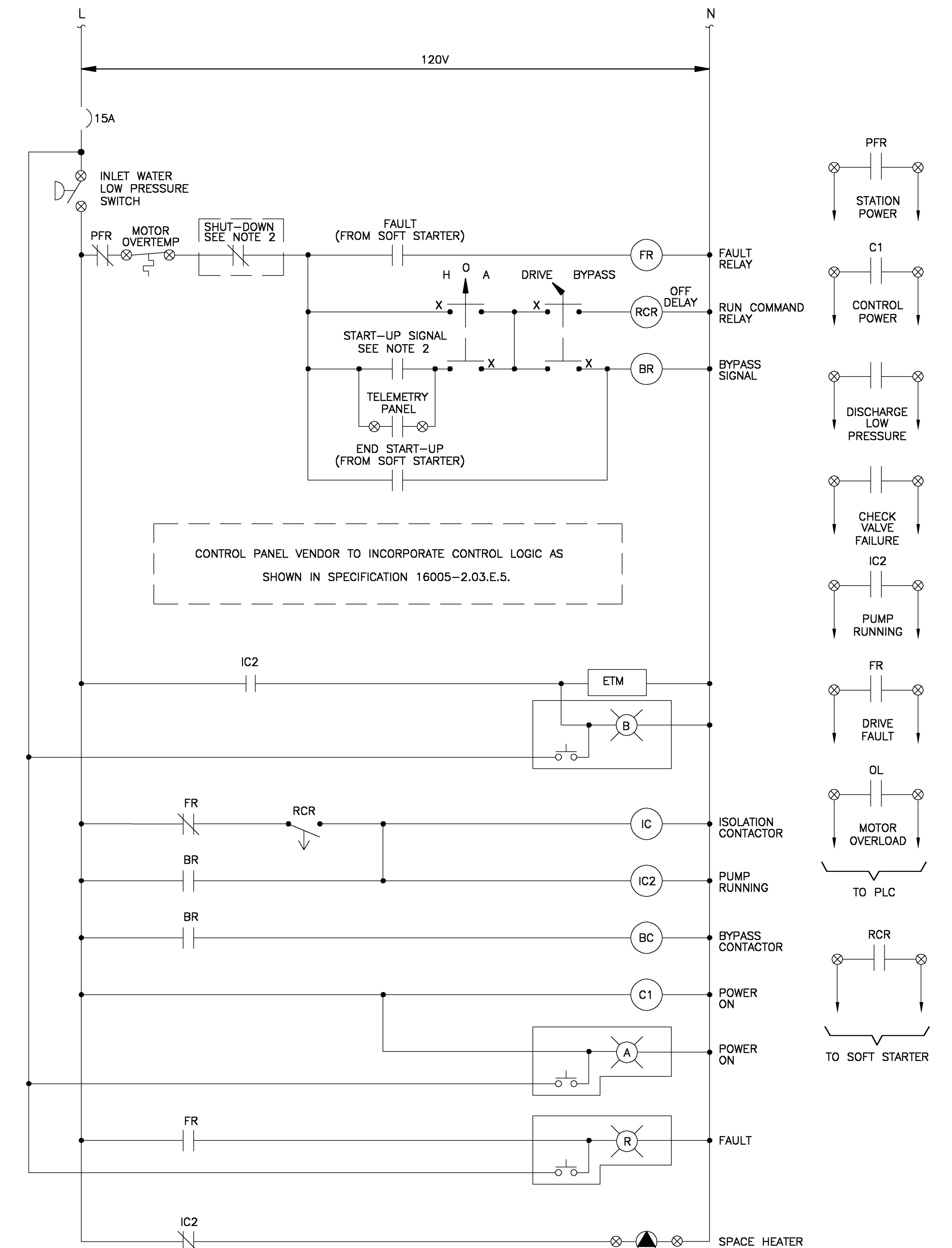
- SYMBOLS, CONTROL DIAGRAM**
- FR - RELAY COIL
 - NORMALLY OPEN CONTACT
 - NORMALLY CLOSED CONTACT
 - TIME DELAY RELAY CONTACT, TIME TO OPEN, NORMALLY OPEN
 - LIMIT SWITCH
 - INDICATING LIGHT. COLOR CODES ARE: A - AMBER, B - BLUE, R - RED
 - MAINTAINED CONTACT SWITCH, SPST
 - MAINTAINED CONTACT SWITCH, SPDT, ESCUTCHEON: HAND-OFF-AUTO
 - MAINTAINED CONTACT SWITCH, SPDT, ESCUTCHEON: DRIVE/BYPASS
 - FUSE

- NOTES**
- DO NOT BOND GENERATOR RECEPTACLE NEUTRAL TO GROUND IN DOUBLE-THROW SAFETY SWITCH. INSTEAD, RUN IT TO THE NEUTRAL LUG AT THE SERVICE ENTRANCE SAFETY SWITCH, WHERE IT WILL BE BONDED TO GROUND.
 - CONTROL PANEL VENDOR TO INCORPORATE CONTROL SCHEME AS SHOWN IN SPECIFICATION 16005-2.03.E.5.

CHARLES S. STEIN, P.E.
 Florida P.E. #39324
 14721 Bonaire Blvd, #202
 Delray Beach, Florida 33446
 e-mail: SteinCS@aol.com



POWER CIRCUIT



CONTROL CIRCUIT

RECORD DRAWINGS

THESE RECORD DRAWINGS HAVE BEEN PREPARED BASED ON INFORMATION PROVIDED BY OTHERS. THE ENGINEER HAS NOT VERIFIED THE ACCURACY OF THIS INFORMATION AND SHALL NOT BE RESPONSIBLE FOR ANY ERRORS OR OMISSIONS WHICH MAY BE INCORPORATED HEREIN AS A RESULT.

CAMP DRESSER & MCKEE INC. Date: DECEMBER 2007

CHARLES S. STEIN
 P.E. NO. 39324

REV. NO.	DATE	DRWN	CHKD	REMARKS
	12/07	IWO	WMS	RECORD DRAWINGS

DESIGNED BY: C. STEIN	<p>Camp Dresser & McKee 12501 World Plaza Lane, Building 51 Fort Myers, FL 33907 Tel: (239) 938-8600 FL COA No. EB-0000020</p>
DRAWN BY: C. STEIN	
SHEET CHK'D BY: C. MONTGOMERY	
CROSS CHK'D BY: A. ROSS	
APPROVED BY: C. STEIN	
DATE: DECEMBER 2007	consulting • engineering • construction • operations

TOWN OF LONGBOAT KEY, FLORIDA

INLINE WATER BOOSTER STATION IMPROVEMENTS

POWER AND CONTROL DIAGRAMS

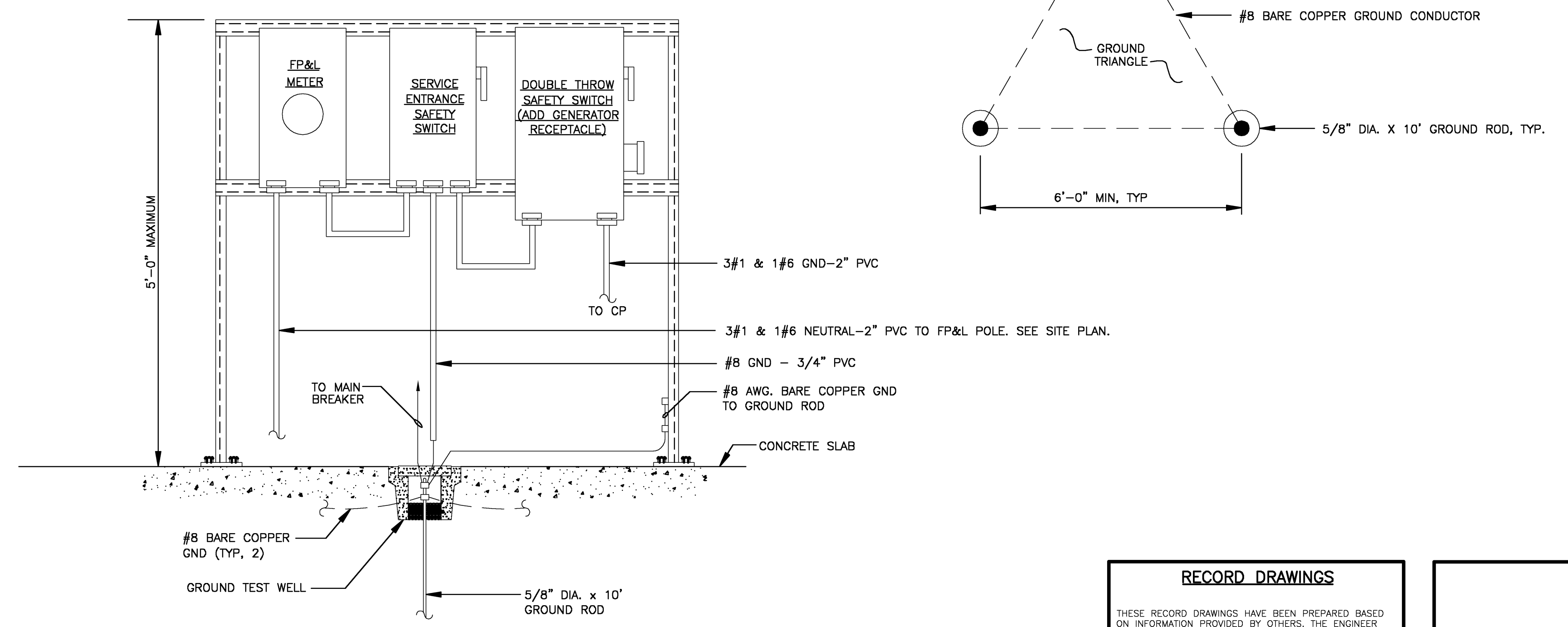
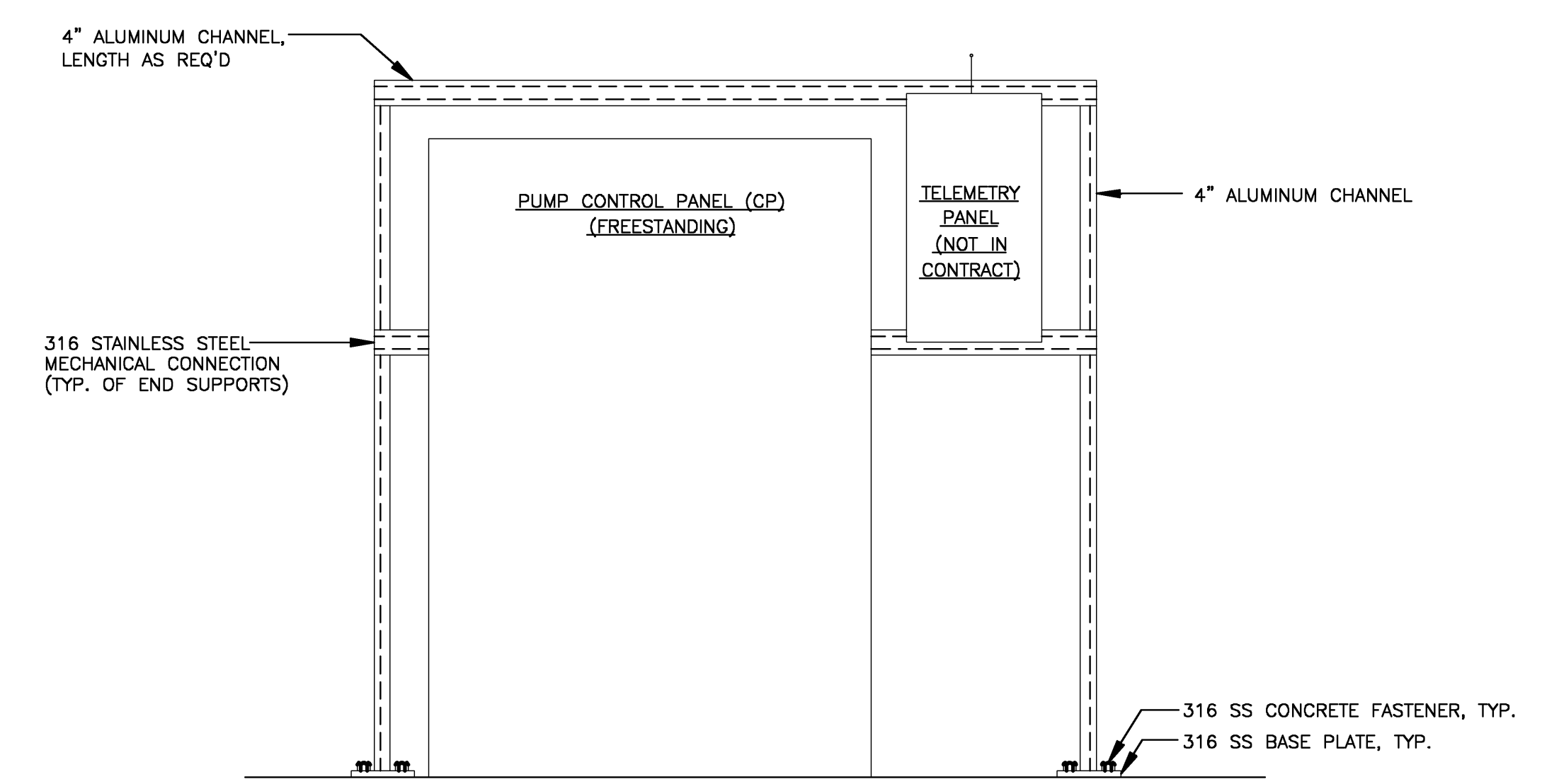
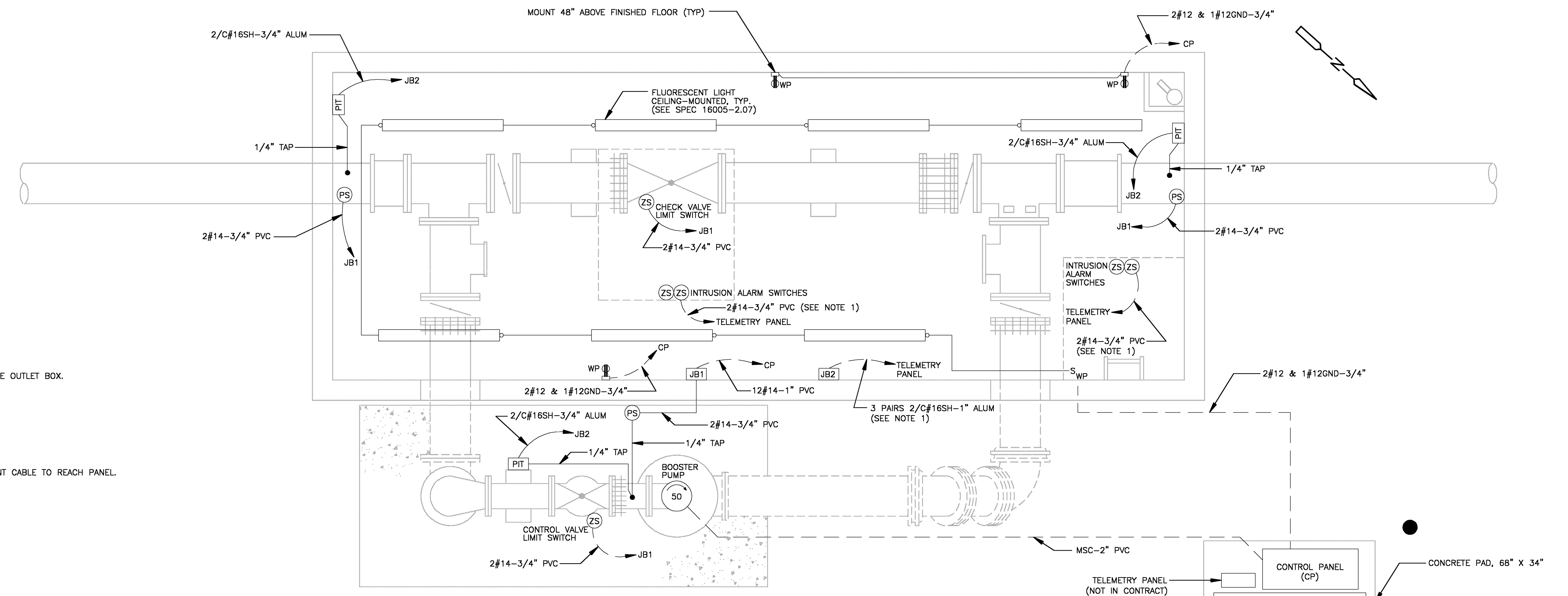
PROJECT NO. 2790-40654
 FILE NAME: E02.dwg
 SHEET NO. E-2

ABBREVIATIONS
 ALUM - ALUMINUM CONDUIT
 MSC - MANUFACTURER SUPPLIED CABLE
 PVC - POLYVINYL CHLORIDE CONDUIT
 SS - STAINLESS STEEL

SYMBOLS, SINGLE LINE DIAGRAM

- BURIED CONDUIT
- EXPOSED CONDUIT
- BURIED CONDUIT HOMERUN, DESTINATION SHOWN
- EXPOSED CONDUIT HOMERUN, DESTINATION SHOWN
- LIMIT SWITCH
- PRESSURE SWITCH
- PRESSURE INDICATING TRANSMITTER
- ELECTRICAL JUNCTION BOX
- 20A, 125V, 3W GFI DUPLEX RECEPTACLE IN NEMA 4X SERVICE OUTLET BOX.
- LIGHT SWITCH, SURFACE MOUNTED IN NEMA 4X BOX.

NOTES
 1. STUB-UP CONDUIT AT LOCATION OF TELEMETRY PANEL. COIL SUFFICIENT CABLE TO REACH PANEL.



CHARLES S. STEIN, P.E.
 Florida P.E. #39324
 14721 Bonaire Blvd, #202
 Delray Beach, Florida 33446
 e-mail: SteinCS@aol.com

EQUIPMENT RACK & CONDUIT DETAIL (FRONT)

EQUIPMENT RACK & CONDUIT DETAIL (REAR)

RECORD DRAWINGS
 THESE RECORD DRAWINGS HAVE BEEN PREPARED BASED ON INFORMATION PROVIDED BY OTHERS. THE ENGINEER HAS NOT VERIFIED THE ACCURACY OF THIS INFORMATION AND SHALL NOT BE RESPONSIBLE FOR ANY ERRORS OR OMISSIONS WHICH MAY BE INCORPORATED HEREIN AS A RESULT.
 CAMP DRESSER & McKEE INC. Date: DECEMBER 2007

CHARLES S. STEIN
 P.E. NO. 39324

RECORD DRAWING

REV. NO.	DATE	DRWN	CHKD	REMARKS
12/07	IWO	WMS		RECORD DRAWINGS

DESIGNED BY: C. STEIN
 DRAWN BY: C. STEIN
 SHEET CHK'D BY: C. MONTGOMERY
 CROSS CHK'D BY: A. ROSS
 APPROVED BY: C. STEIN
 DATE: DECEMBER 2007

CDM
 Camp Dresser & McKee
 12501 World Plaza Lane, Building 51
 Fort Myers, FL 33907
 Tel: (239) 938-8600
 FL COA No. EB-0000020
 consulting • engineering • construction • operations

TOWN OF LONGBOAT KEY, FLORIDA
INLINE WATER BOOSTER STATION IMPROVEMENTS

PUMP VAULT PLAN AND EQUIPMENT RACK DETAILS

PROJECT NO. 2790-40654
 FILE NAME: E03.dwg
 SHEET NO. **E-3**