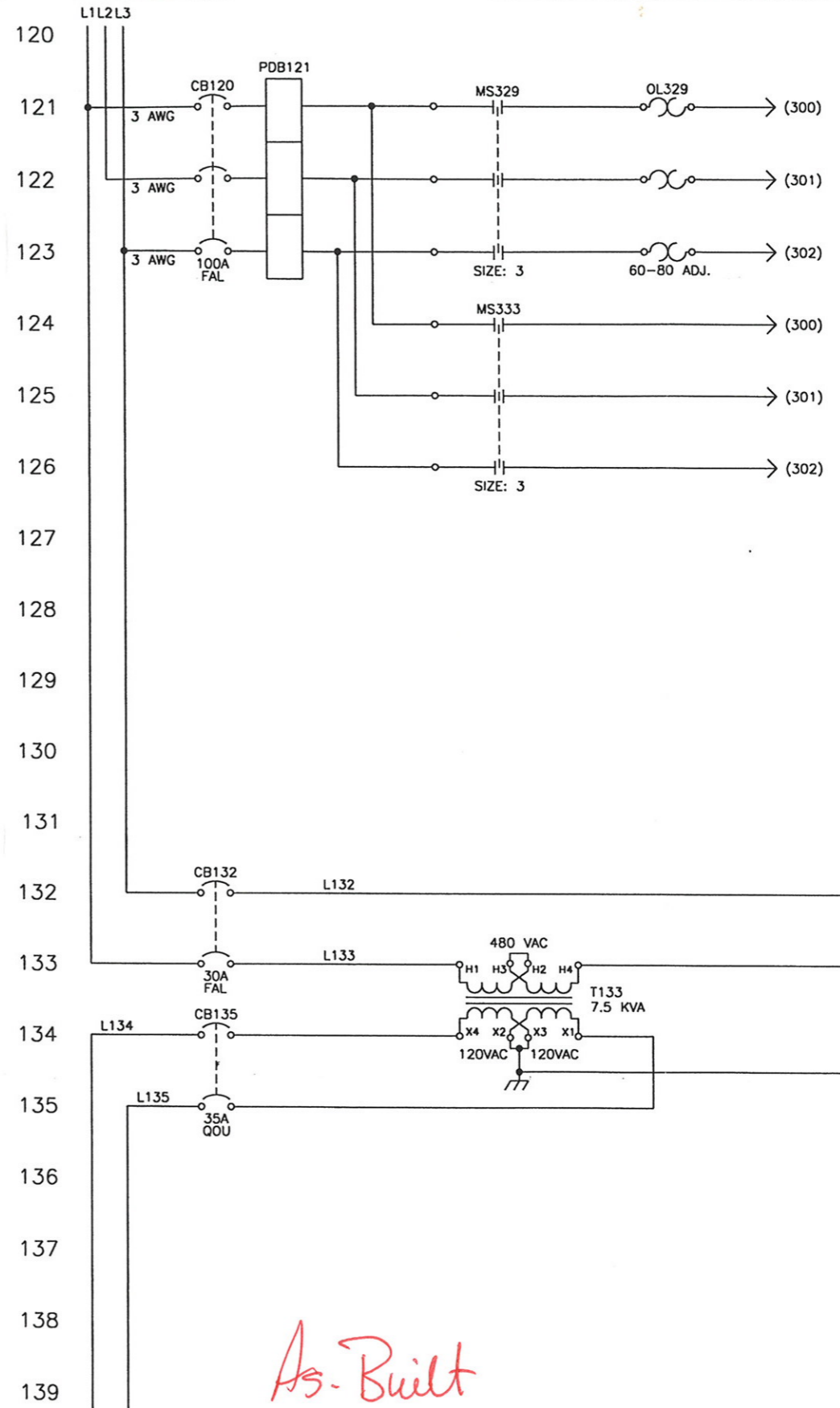


MAIN CIRCUIT BREAKER

SURGE ARRESTOR

PHASE FAIL



BOOSTER PUMP

As-Built

- NOTES:
- 1) FOR A COMPLETE LIST OF DRAWINGS AND PARTS REFER TO THE TABLE OF CONTENTS AND THE BILL OF MATERIALS.
 - 2) GROUNDING LUG TO BE GROUNDED BY CUSTOMER PER NEC.
 - 3) PULL ANALOG SIGNAL WIRES AND LOW VOLTAGE DC WIRES IN METALLIC CONDUIT SEPARATE FROM POWER/LOAD WIRING.
 - 4) SEE ELECTRICAL DEVICE FOR ELECTRICAL RATINGS.
 - 5) REMOVE JUMPER FOR NON-SERVICE ENTRANCE RATED ENCLOSURE. ALL WIRES ARE 16 AWG UNLESS SPECIFIED.

STD: 3-0200-24X3601

INTL REF: 7060

BAR = 1" AT PLOT SCALE

REV	DESCRIPTION	DATE	DWN	CHD	APVD	ECH
2	MISCELLANEOUS UPDATE	02/06	JVE	JMC	JT	
1	AS SHIPPED	12/05	JVE	JMC	JT	
0	ISSUED FOR CONSTRUCTION	11/05	JVE	JMC	JT	
A	AS SUBMITTED	08/05	DEA	JMC	JT	

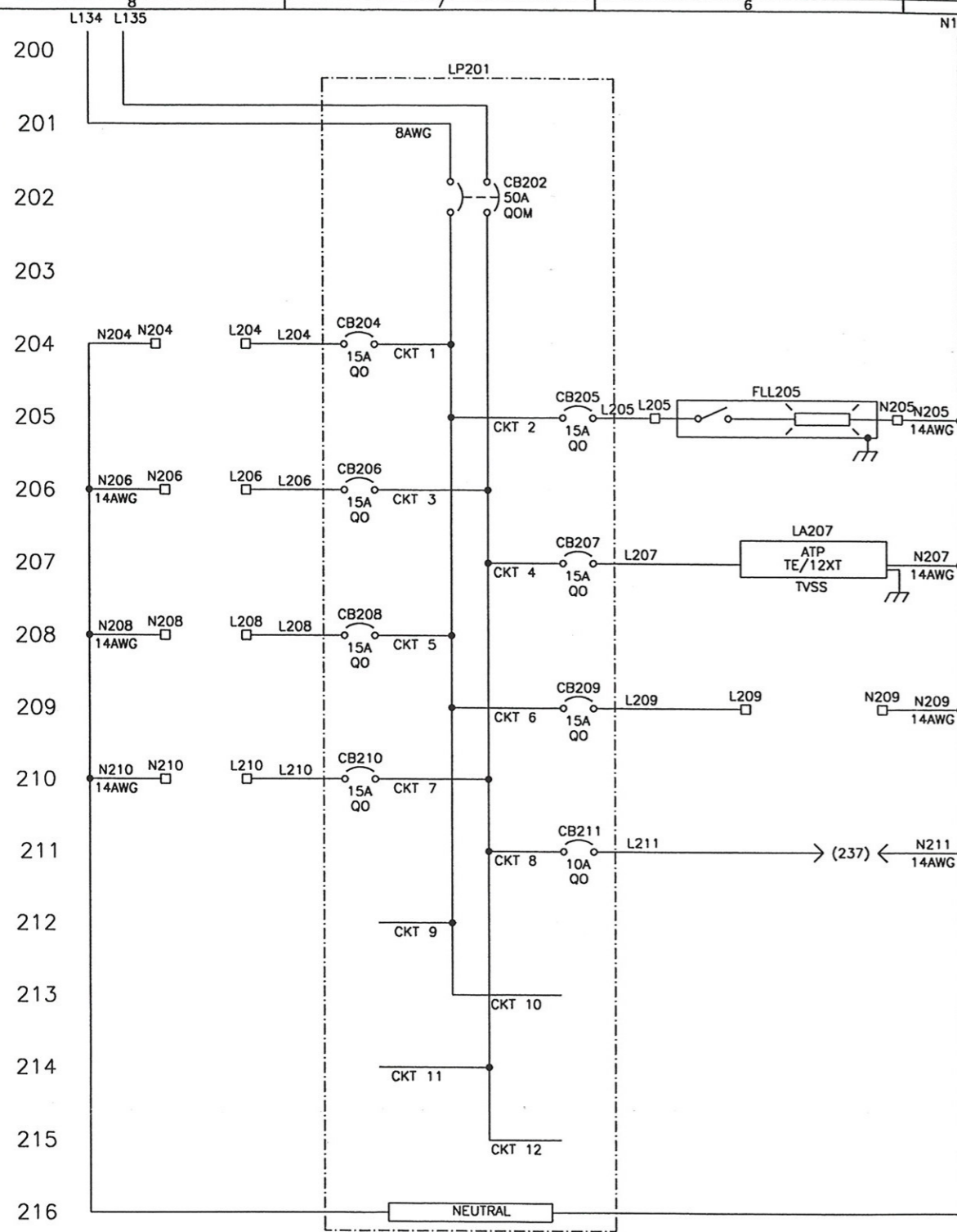
COMPANY CONFIDENTIAL
 ALL INFORMATION CONTAINED ON THIS DOCUMENT IS THE PROPERTY OF USFILTER AND/OR ITS AFFILIATES ("USF"). THE DESIGN CONCEPTS AND INFORMATION CONTAINED HEREIN ARE PROPRIETARY TO USF AND ARE SUBMITTED IN CONFIDENCE. THEY ARE NOT TRANSFERABLE AND MUST BE USED ONLY FOR THE PROJECT FOR WHICH THE DOCUMENT IS EXPRESSLY SUBMITTED. THEY MUST NOT BE DISCLOSED, REPRODUCED, LOANED OR USED IN ANY OTHER MANNER WITHOUT THE EXPRESS WRITTEN CONSENT OF USF. USF ASSUMES NO RESPONSIBILITY OR LIABILITY FOR THE USE OF THIS DOCUMENT OR THE DESIGN CONCEPTS AND INFORMATION CONTAINED HEREIN FOR ANOTHER PROJECT, OR IN A MANNER THAT DOES NOT RELATE TO THE FITNESS OR PURPOSE OF THIS DOCUMENT. IN NO EVENT SHALL THIS DOCUMENT OR THE DESIGN CONCEPTS AND INFORMATION CONTAINED HEREIN BE USED IN ANY MANNER DETRIMENTAL TO THE INTEREST OF USF. ALL PRIOR RIGHTS ARE RESERVED. ACCEPTANCE OF THE DELIVERY OF THIS DOCUMENT CONSTITUTES AGREEMENT TO THESE TERMS AND CONDITIONS.

DESIGNER	DATE
JT	11/05
CHECKER	DATE
JMC	11/05
ENGINEER	DATE
JT	11/05
MANAGER	DATE
EC	11/05

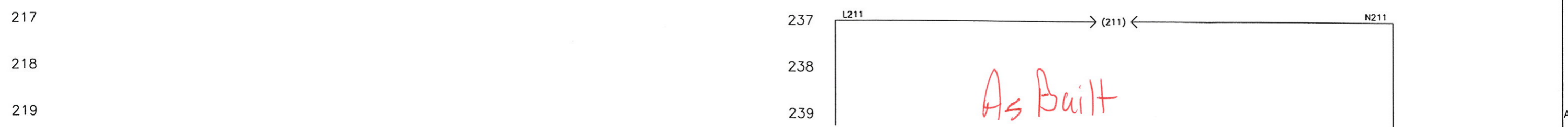
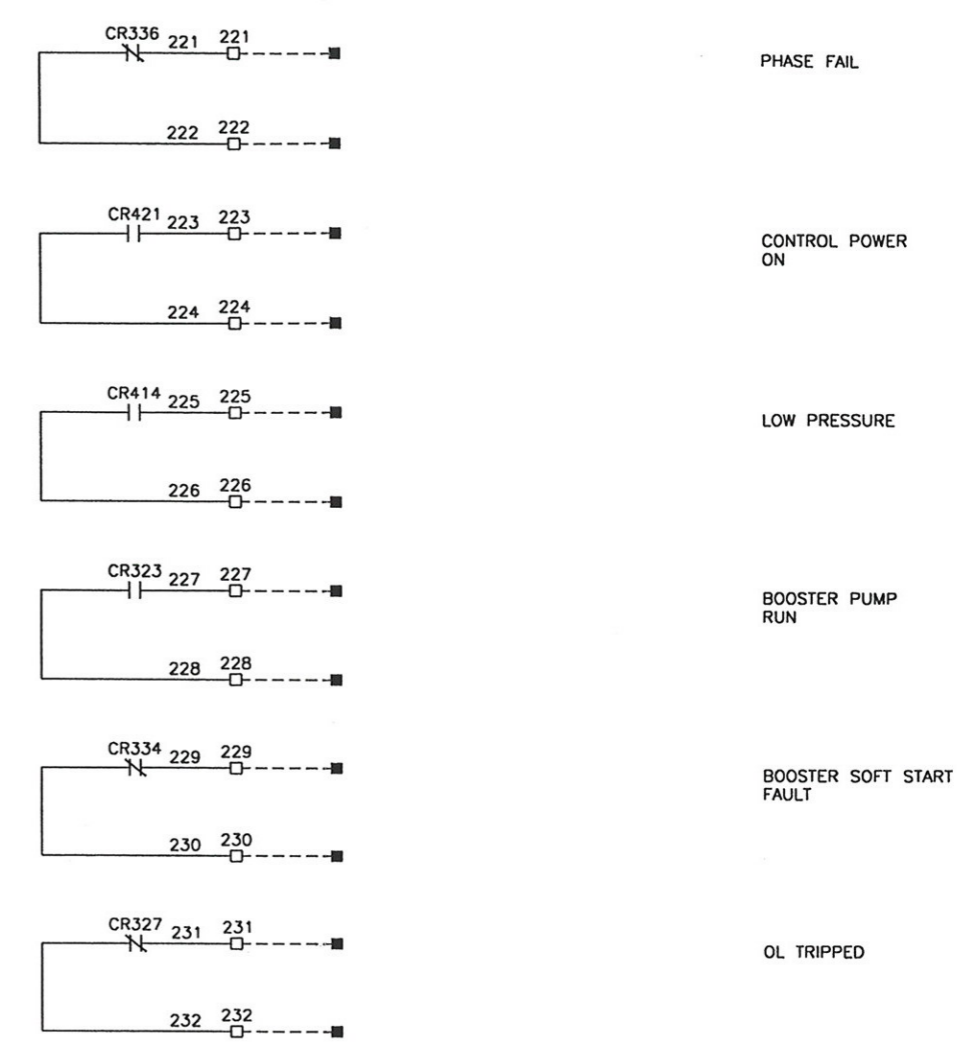
TITLE INCOMING POWER PUMP CONTROL PANEL PANEL 001
 CLIENT LONGBOAT KEY, FL

USFilter USFILTER CONTROL SYSTEMS
 WADNAIS HEIGHTS, MN
 PH. 651-766-2700

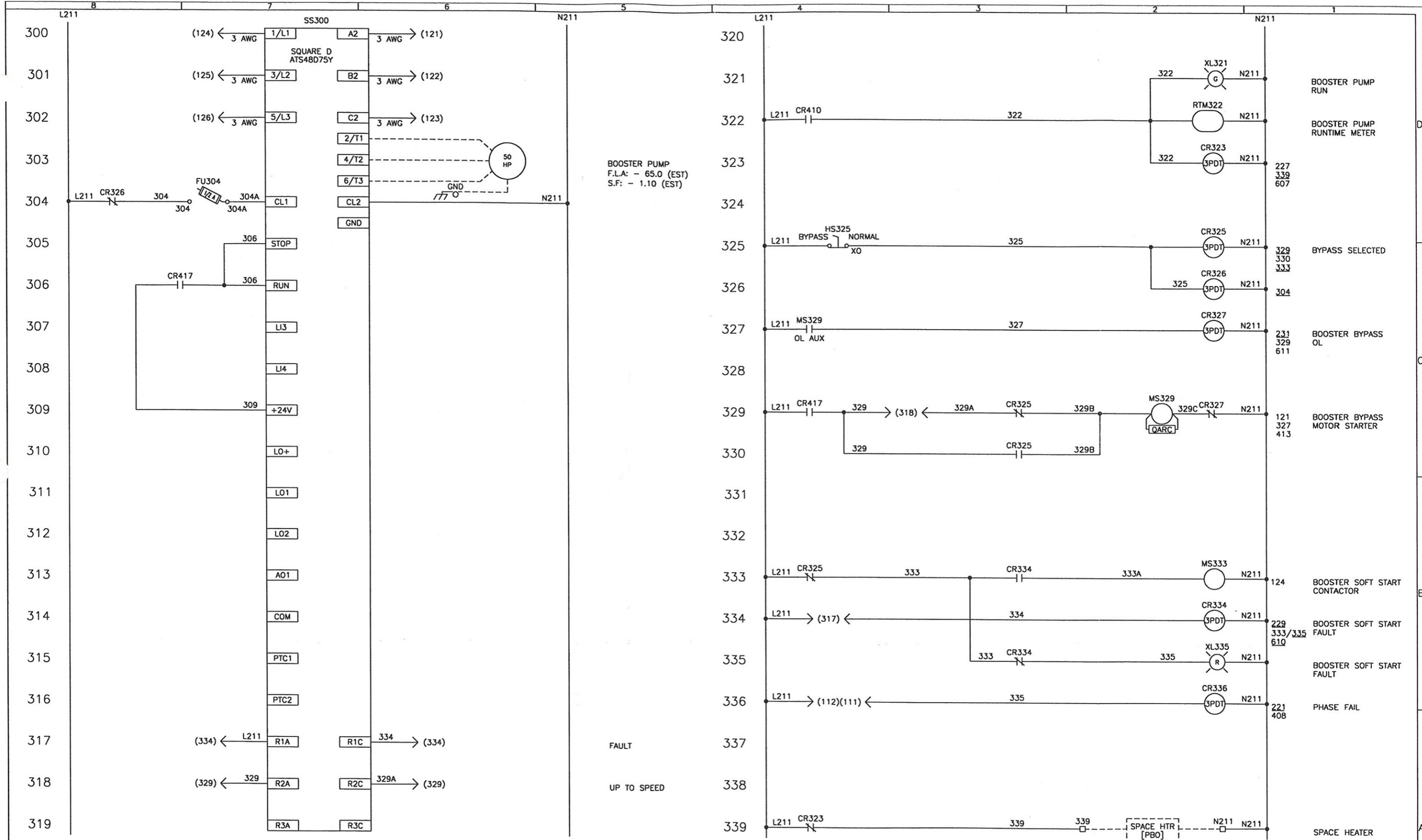
PROJECT	CODE	DRAWING	SHEET	REV
504170	001	E04	1 OF 9	2



- 220
- 221
- 222
- 223
- 224 CONTROL PANEL RECEPTACLE
- 225 ENCLOSURE LIGHT
- 226 VAULT LIGHTING
- 227 TVSS
- 228 VAULT RECEPTACLES
- 229 SPARE
- 230 TELEMETRY PANEL
- 231 CONTROL POWER
- 232 SPARE
- 233 SPARE
- 234 SPARE
- 235 SPARE
- 236



STD: 3-0200-24X36D1		INTL REF: 7060		BAR = 1" AT PLOT SCALE		<small>COMPANY CONFIDENTIAL</small> <small>ALL INFORMATION CONTAINED ON THIS DOCUMENT IS THE PROPERTY OF USFILTER AND/OR ITS AFFILIATES (USF). THE DESIGN CONCEPTS AND INFORMATION CONTAINED HEREIN ARE PROPRIETARY TO USF AND ARE SUBMITTED IN CONFIDENCE. THEY ARE NOT TRANSFERABLE AND MUST BE USED ONLY FOR THE PURPOSE FOR WHICH THE DOCUMENT IS EXPRESSLY SUBMITTED. THEY MUST NOT BE DISCLOSED, REPRODUCED, LOANED OR USED IN ANY OTHER MANNER WITHOUT THE EXPRESS WRITTEN CONSENT OF USF. USF ASSUMES NO RESPONSIBILITY OR LIABILITY FOR THE USE OF THIS DOCUMENT OR THE DESIGN CONCEPTS AND INFORMATION CONTAINED HEREIN IN ANY MANNER WHATSOEVER, TO THE EXTENT OF THE DOCUMENT OF THIS DOCUMENT CONSTITUTES AGREEMENT TO THESE TERMS AND CONDITIONS.</small>		DESIGNER: JT CHECKER: JMC ENGINEER: JT MANAGER: EC FILE: 504170-001-E04-002-2 SCALE: NONE	DATE: 11/05 DATE: 11/05 DATE: 11/05 DATE: 11/05	TITLE: LIGHTING PANEL PUMP CONTROL PANEL PANEL 001 CLIENT: LONGBOAT KEY, FL	PROJECT: 504170 CODE: 001 DRAWING: E04 SHEET: 2 OF 9 REV: 2
REV	DESCRIPTION	DATE	DWN	CHKD	APVD	ECN					
2	MISCELLANEOUS UPDATE	02/06	JVE	JMC	JT						
1	AS SHIPPED	12/05	JVE	JMC	JT						
0	ISSUED FOR CONSTRUCTION	11/05	JVE	JMC	JT						
A	AS SUBMITTED	08/05	DEA	JMC	JT						

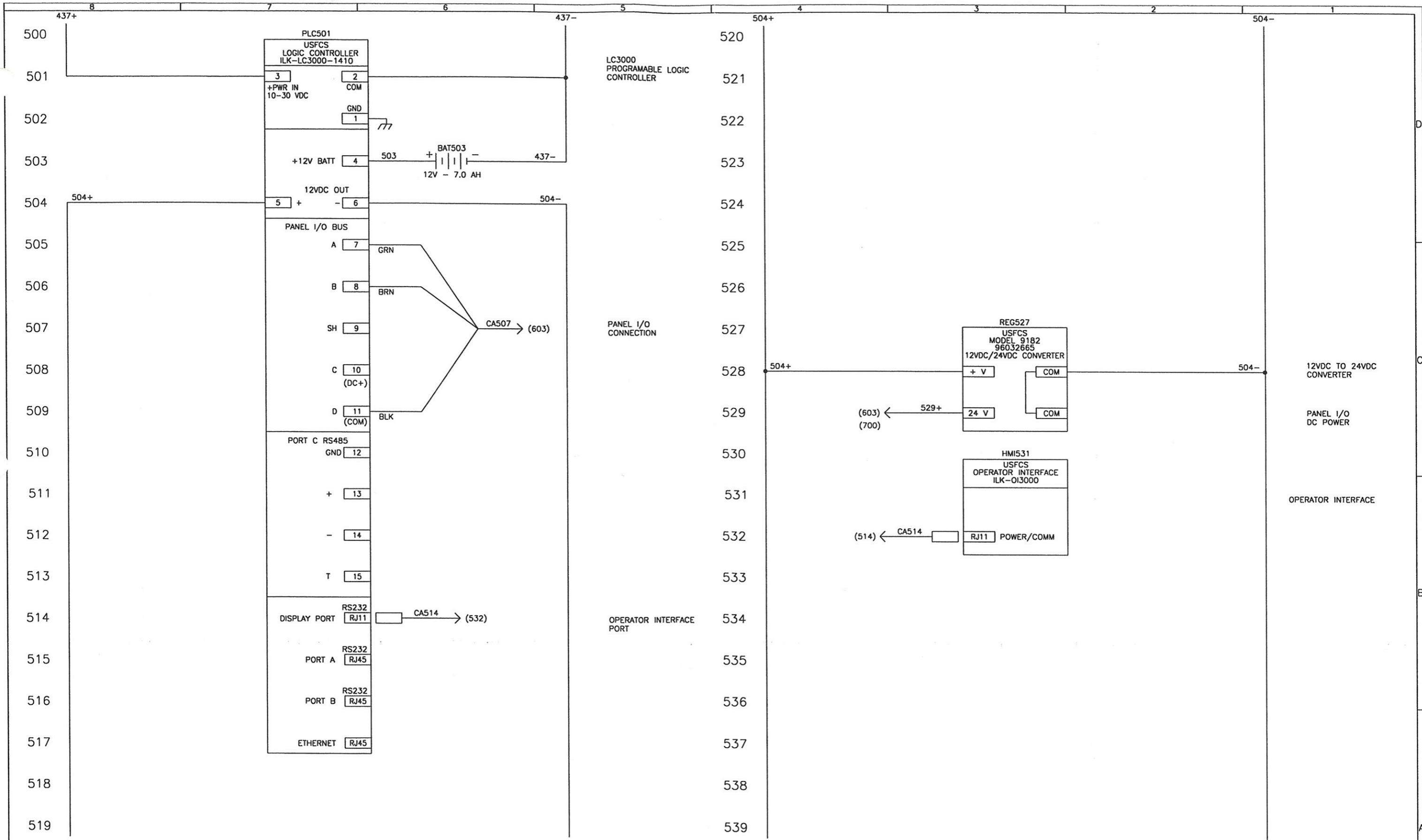


BOOSTER PUMP
 F.L.A: - 65.0 (EST)
 S.F: - 1.10 (EST)

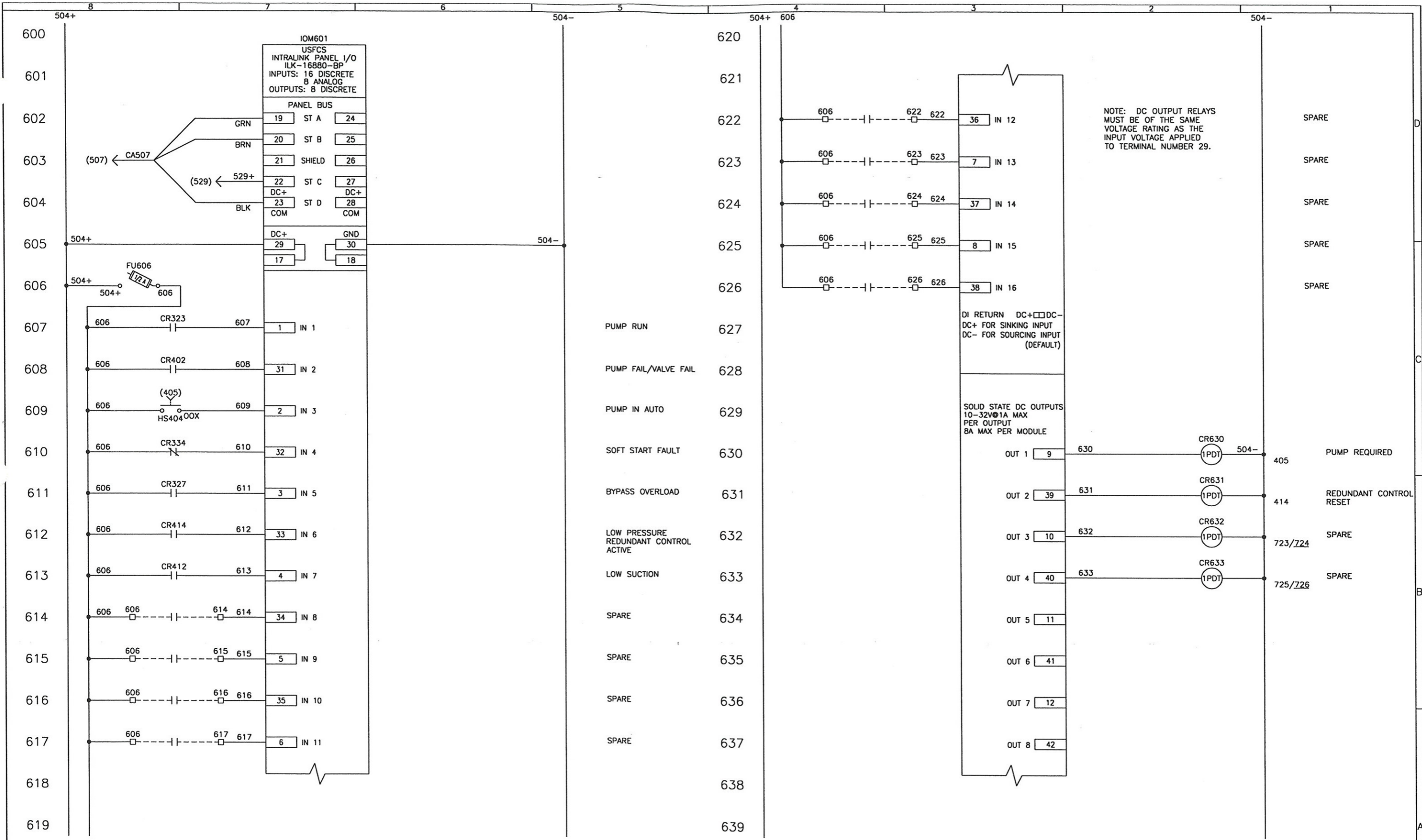
FAULT
 UP TO SPEED

As-Built

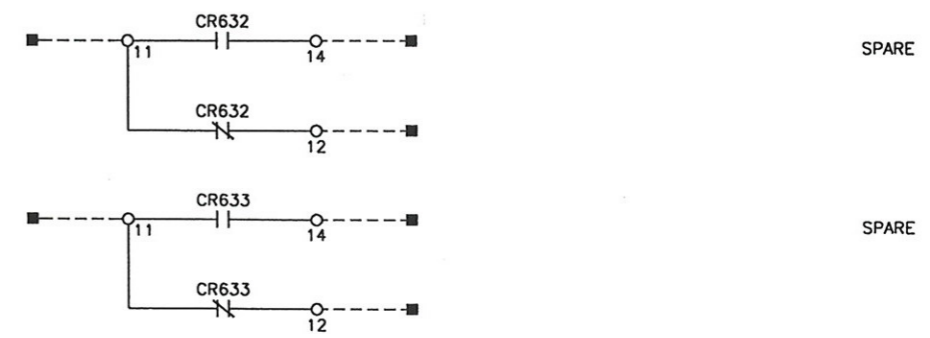
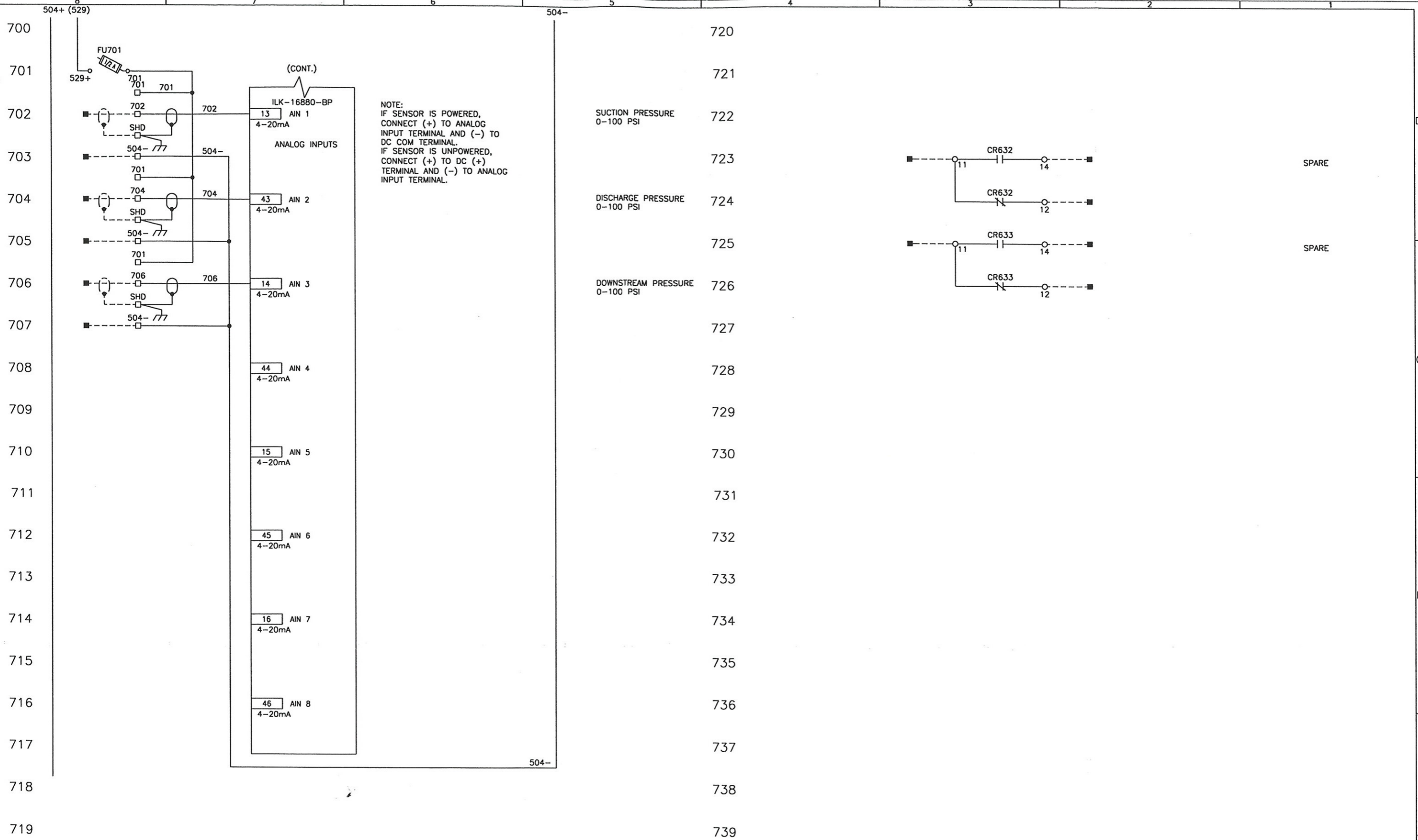
STD: 3-0200-24X36D1	INTL REF: 7060	BAR = 1" AT PLOT SCALE	<table border="1"> <tr> <th>REV</th> <th>DESCRIPTION</th> <th>DATE</th> <th>OWN</th> <th>CHKD</th> <th>APVD</th> <th>ECH</th> </tr> <tr> <td>2</td> <td>MISCELLANEOUS UPDATE</td> <td>02/06</td> <td>JVE</td> <td>JMC</td> <td>JT</td> <td></td> </tr> <tr> <td>1</td> <td>AS SHIPPED</td> <td>12/05</td> <td>JVE</td> <td>JMC</td> <td>JT</td> <td></td> </tr> <tr> <td>0</td> <td>ISSUED FOR CONSTRUCTION</td> <td>11/05</td> <td>JVE</td> <td>JMC</td> <td>JT</td> <td></td> </tr> <tr> <td>A</td> <td>AS SUBMITTED</td> <td>08/05</td> <td>DEA</td> <td>JMC</td> <td>JT</td> <td></td> </tr> </table>	REV	DESCRIPTION	DATE	OWN	CHKD	APVD	ECH	2	MISCELLANEOUS UPDATE	02/06	JVE	JMC	JT		1	AS SHIPPED	12/05	JVE	JMC	JT		0	ISSUED FOR CONSTRUCTION	11/05	JVE	JMC	JT		A	AS SUBMITTED	08/05	DEA	JMC	JT		<p>DESIGNER: JT DATE: 11/05 CHECKER: JMC DATE: 11/05 ENGINEER: JT DATE: 11/05 MANAGER: EC DATE: 11/05 FILE: 504170-001-ED-003-2 SCALE: NONE</p>	<p>TITLE: BOOSTER PUMP CONTROL PUMP CONTROL PANEL 001 CLIENT: LONGBOAT KEY, FL</p>	<p>USFilter USFILTER CONTROL SYSTEMS WADSWORTH HEIGHTS, MN PH. 651-766-2700</p>	<p>PROJECT: 504170 CODE: 001 DRAWING: E04 SHEET: 3 OF 9 REV: 2</p>
REV	DESCRIPTION	DATE	OWN	CHKD	APVD	ECH																																				
2	MISCELLANEOUS UPDATE	02/06	JVE	JMC	JT																																					
1	AS SHIPPED	12/05	JVE	JMC	JT																																					
0	ISSUED FOR CONSTRUCTION	11/05	JVE	JMC	JT																																					
A	AS SUBMITTED	08/05	DEA	JMC	JT																																					



STD: 3-0200-24X36D1		INTL REF: 7061		<i>As Built</i>		<small>COURTESY CONFIDENTIAL</small> <small>ALL INFORMATION CONTAINED ON THIS DOCUMENT IS THE PROPERTY OF USFILTER AND/OR ITS AFFILIATES ("USF"). THE DESIGN CONCEPTS AND INFORMATION CONTAINED HEREIN ARE PROPRIETARY TO USF AND ARE SUBMITTED IN CONFIDENCE. THEY ARE NOT TRANSFERABLE AND MUST BE USED ONLY FOR THE PURPOSE FOR WHICH THE DOCUMENT IS EXPRESSLY SUBMITTED. THEY MUST NOT BE DISCLOSED, REPRODUCED, LOANED OR USED IN ANY OTHER MANNER WITHOUT THE EXPRESS WRITTEN CONSENT OF USF. USF ASSUMES NO RESPONSIBILITY OR LIABILITY FOR THE USE OF THIS DOCUMENT OR THE DESIGN CONCEPTS AND INFORMATION CONTAINED HEREIN FOR ANOTHER PROJECT, OR IN A MANNER THAT DOES NOT RELATE TO THE FITNESS OR PURPOSE OF THE DOCUMENT, IN NO EVENT SHALL THIS DOCUMENT OR THE DESIGN CONCEPTS AND INFORMATION CONTAINED HEREIN BE USED IN ANY MANNER DETERMINED TO BE IN THE INTEREST OF USF. ALL PARTY RIGHTS ARE RESERVED. ACCEPTANCE OF THE DELIVERY OF THIS DOCUMENT CONSTITUTES AGREEMENT TO THESE TERMS AND CONDITIONS.</small>		DESIGNER JT DATE 11/05	CHECKER JMC DATE 11/05	ENGINEER JT DATE 11/05	MANAGER EC DATE 11/05	TITLE LC3000 CONTROLLER AND OPERATOR INTERFACE PUMP CONTROL PANEL PANEL 001	CLIENT LONGBOAT KEY, FL			
						<small>FILE: 504170-001-E04-005-2</small>		<small>SCALE: NONE</small>				PROJECT 504170	CODE 001	DRAWING E04	SHEET 5 OF 9	REV 2



STO: 3-0200-24X36D1		INTL REF: 7061		As-Built		BAR = 1" AT PLOT SCALE		COMPANY CONFIDENTIAL ALL INFORMATION CONTAINED ON THIS DOCUMENT IS THE PROPERTY OF USFILTER AND/OR ITS AFFILIATES ("USF"). THE DESIGN CONCEPTS AND INFORMATION CONTAINED HEREIN ARE PROPRIETARY TO USF AND ARE SUBMITTED IN CONFIDENCE. THEY ARE NOT TRANSFERABLE AND MUST BE USED ONLY FOR THE PURPOSE FOR WHICH THE DOCUMENT IS EXPRESSLY SUBMITTED. THEY MUST NOT BE DISCLOSED, REPRODUCED, LOANED OR USED IN ANY OTHER MANNER WITHOUT THE EXPRESS WRITTEN CONSENT OF USF. USF ASSUMES NO RESPONSIBILITY OR LIABILITY FOR THE USE OF THIS DOCUMENT OR THE DESIGN CONCEPTS AND INFORMATION CONTAINED HEREIN FOR ANOTHER PROJECT, OR IN A MANNER THAT DOES NOT RELATE TO THE FITNESS OR PURPOSE OF THIS DOCUMENT. IN NO EVENT SHALL THIS DOCUMENT OR THE DESIGN CONCEPTS AND INFORMATION CONTAINED HEREIN BE USED IN ANY MANNER DETERMINED TO BE IN THE INTEREST OF USF. ALL RIGHTS ARE RESERVED. ACCEPTANCE OF THE DELIVERY OF THIS DOCUMENT CONSTITUTES AGREEMENT TO THESE TERMS AND CONDITIONS.		DESIGNER: JT CHECKER: JMC ENGINEER: JT MANAGER: EC	DATE: 11/05 DATE: 11/05 DATE: 11/05 DATE: 11/05	TITLE: PANEL I/O 16 DI, 8 DO, 8 AI COMBO MODULE PUMP CONTROL PANEL PANEL 001 CLIENT: LONGBOAT KEY, FL	USFILTER CONTROL SYSTEMS WADNAIS HEIGHTS, MN PH. 651-766-2700	PROJECT: 504170 CODE: 001 DRAWING: E04 SHEET: 6 OF 9 REV: 2
REV	DESCRIPTION	DATE	DWN	CHD	APVD	ECN								
2	MISCELLANEOUS UPDATE	02/08	JVE	JMC	JT									
1	AS SHIPPED	12/05	JVE	JMC	JT									
0	ISSUED FOR CONSTRUCTION	11/05	JVE	JMC	JT									
A	AS SUBMITTED	11/05												



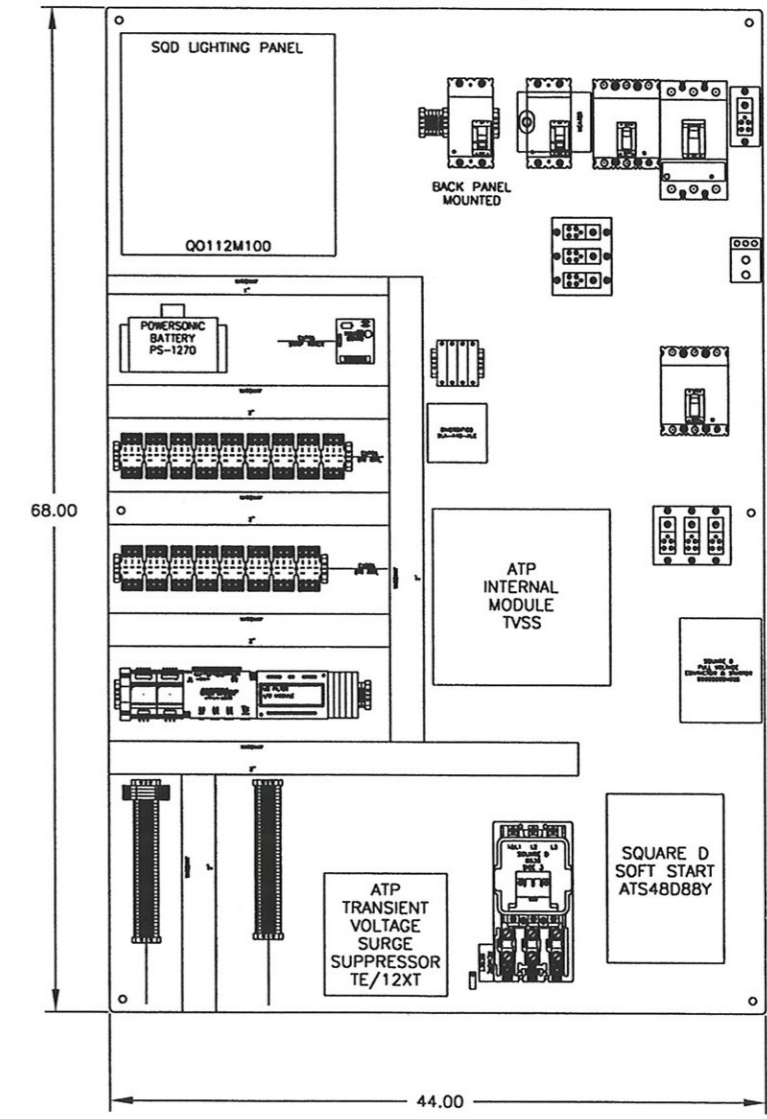
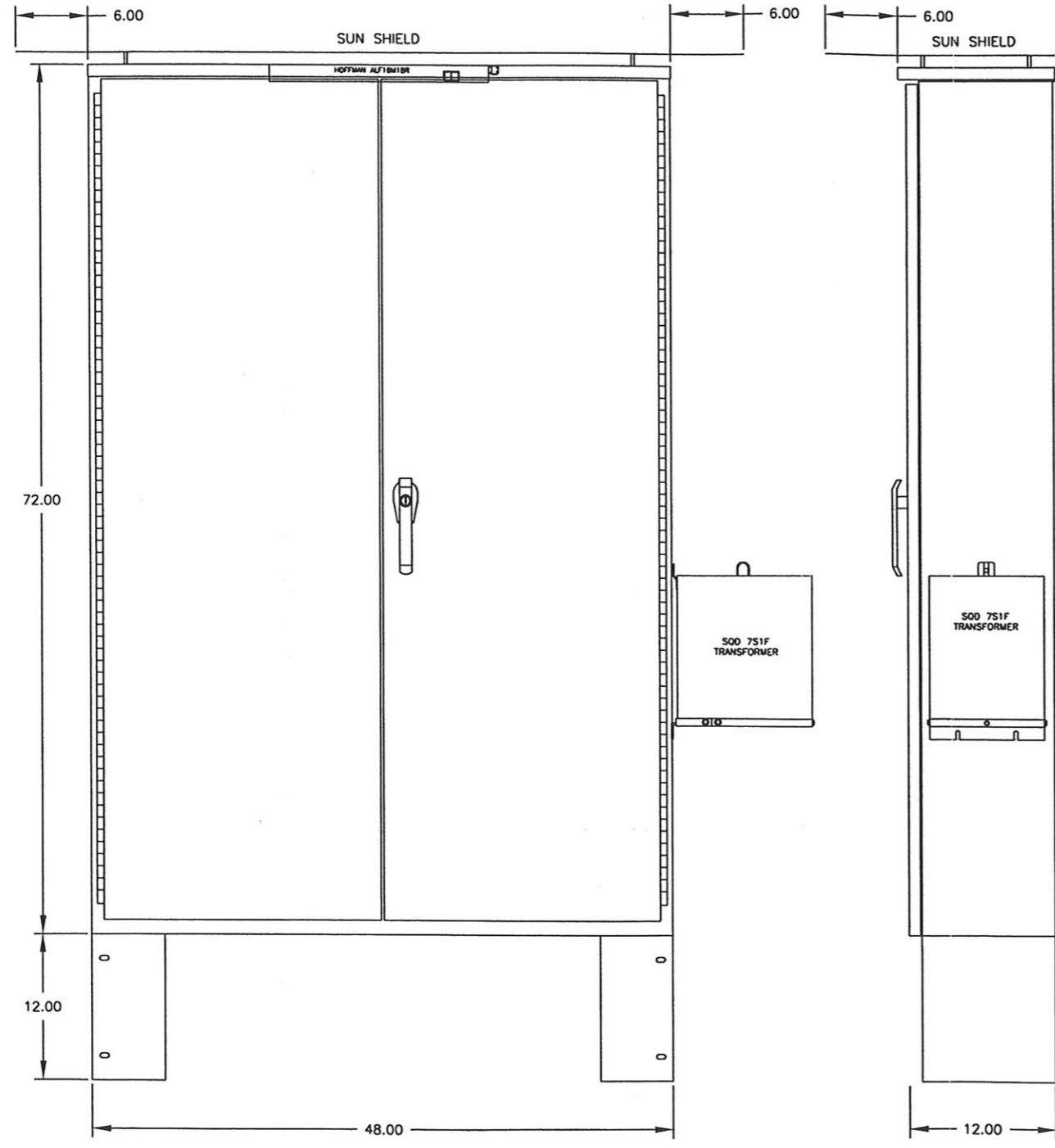
As Built

REV	DESCRIPTION	DATE	DWN	CHKD	APVD	ECN
2	MISCELLANEOUS UPDATE	02/06	JVE	JMC	JT	
1	AS SHIPPED	12/05	JVE	JMC	JT	
0	ISSUED FOR CONSTRUCTION	11/05	JVE	JMC	JT	
A	AS SUBMITTED	11/05				

DESIGNER	DATE	TITLE
JT	11/05	PANEL I/O 16 DI, 8 DO, 8 AI COMBO MODULE
CHECKER	DATE	PUMP CONTROL PANEL
JMC	11/05	PANEL 001
ENGINEER	DATE	CLIENT
JT	11/05	LONGBOAT KEY, FL
MANAGER	DATE	
EC	11/05	
FILE:		
SCALE: NONE		
PROJECT	CODE	DRAWING
504170	001	E04
		SHEET
		7 OF 9
		REV
		2

USFilter USFILTER CONTROL SYSTEMS
 WADNAIS HEIGHTS, MN
 PH. 651-766-2700

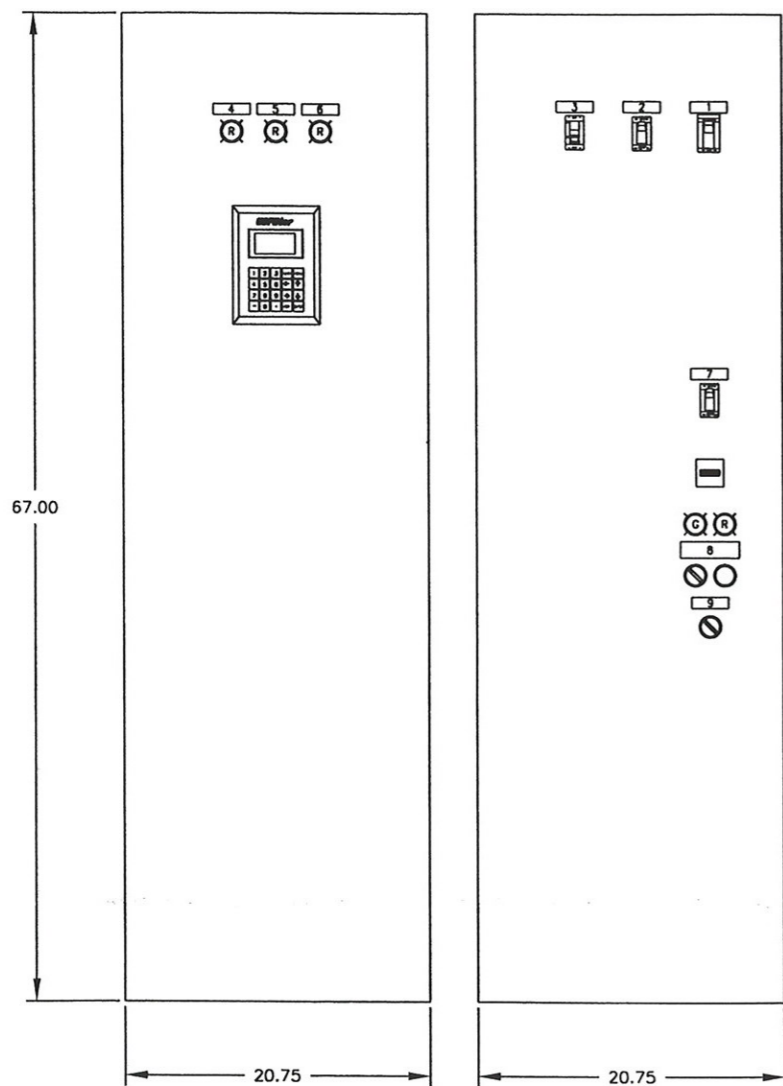
BACK PANEL SPECIFICATIONS		ENCLOSURE SPECIFICATIONS	
MANUFACTURER	LEHMAN	MANUFACTURER	LEHMAN
SIZE	44.00 X 68.00	PART NUMBER	3R2L304X724812XU
FINISH	WHITE	SIZE	72.00 X 48.00 X 12.00
		CONSTRUCTION	STAINLESS STEEL
		TYPE	NEMA 3R
		HINGED	LEFT
		FINISH	#3 BRUSHED



STD: 3-0200-24X36D1		INTL REF: 7060		<i>As Built</i>		BAR = 1" AT PLOT SCALE		COMPANY CONFIDENTIAL ALL INFORMATION CONTAINED ON THIS DOCUMENT IS THE PROPERTY OF USFILTER AND FOR ITS AFFILIATES ("USF"). THE DESIGN CONCEPTS AND INFORMATION CONTAINED HEREIN ARE PROPRIETARY TO USF AND ARE SUBMITTED IN CONFIDENCE. THEY ARE NOT TRANSFERABLE AND MUST BE USED ONLY FOR THE PURPOSES FOR WHICH THE DOCUMENT IS EXPRESSLY SUBMITTED. THEY MUST NOT BE DISCLOSED, REPRODUCED, LOANED OR USED IN ANY OTHER MANNER WITHOUT THE EXPRESS WRITTEN CONSENT OF USF. USF ASSUMES NO RESPONSIBILITY OR LIABILITY FOR THE USE OF THIS DOCUMENT OR THE DESIGN CONCEPTS AND INFORMATION CONTAINED HEREIN FOR ANOTHER PROJECT, OR IN A MANNER THAT DOES NOT RELATE TO THE FITNESS OR PURPOSE OF THIS DOCUMENT. IN NO EVENT SHALL THIS DOCUMENT OR THE DESIGN CONCEPTS AND INFORMATION CONTAINED HEREIN BE USED IN ANY MANNER DETERMINED TO BE IN THE INTEREST OF USF. ALL PARTY RIGHTS ARE HEREBY ACCEPTED OF THE DELIVERY OF THIS DOCUMENT CONSTITUTE AGREEMENT TO THESE TERMS AND CONDITIONS.		DESIGNER JT DATE 11/05	CHECKER JMC DATE 11/05	ENGINEER JT DATE 11/05	MANAGER EC DATE 11/05	FILE: 504170-001-E02-008-2 SCALE:	TITLE ENCLOSURE & BACKPANEL LAYOUT PUMP CONTROL PANEL PANEL 001	CLIENT LONGBOAT KEY, FL	US FILTER CONTROL SYSTEMS WADNAIS HEIGHTS, MN PH. 651-766-2700	PROJECT 504170	CODE 001	DRAWING E02	SHEET 8 OF 9	REV 2
REV	DESCRIPTION	DATE	OWN			CHKD	APVD	ECH														
2	MISCELLANEOUS UPDATE	02/06	JVE	JMC	JT																	
1	AS SHIPPED	12/05	JVE	JMC	JT																	
0	ISSUED FOR CONSTRUCTION	11/05	JVE	JMC	JT																	
A	AS SUBMITTED	08/05	DEA	JMC	JT																	

BOOSTER PANEL
 SERIAL NO.: 504170 PROD. CODE: POWERPACK
 JOB NAME: LONGBOAT KEY, FL
 VOLTS: 480 HERTZ: 60 PHASE: 3 WIRE: 4
 MAX. F.L.C.: 125 LARG. MTR.: 50 H.P. 65.0 F.L.C.
 DRAWING NO.: 504170-001 PRESSURE: -

INNERDOOR SPECIFICATIONS	
MANUFACTURER	USFCS
SIZE	67.00 X 20.75
CONSTRUCTION	ALUMINUM
HINGED	DOUBLE DOOR



- | | | | |
|---|--|---|---|
| 1 | MAIN
A1 CB103 | 7 | BOOSTER PUMP
A1 CB120 |
| 2 | TRANSIENT VOLTAGE
SURGE SUPPRESSOR
A1 CB105 | 8 | RUN FAIL
BOOSTER PUMP
HAND OFF AUTO RESET
C1 XL321,XL403,HS404 ,HS407 |
| 3 | CONTROL POWER
TRANSFORMER
A1 CB132 | 9 | BOOSTER PUMP
BYPASS NORMAL
A1 HS325 |
| 4 | BOOSTER SOFT START
FAULT
A1 XL335 | | |
| 5 | REDUNDANT CONTROL
LOW DISC. PRESSURE
A1 XL415 | | |
| 6 | CONTROL POWER ON
A1 XL422 | | |

As Built

REV	DESCRIPTION	DATE	DWN	CHKD	APVD	ECN
2	MISCELLANEOUS UPDATE	02/06	JVE	JMC	JT	
1	AS SHIPPED	12/05	JVE	JMC	JT	
0	ISSUED FOR CONSTRUCTION	11/05	JVE	JMC	JT	
A	AS SUBMITTED	08/05	DEA	JMC	JT	

COMPANY CONFIDENTIAL
 ALL INFORMATION CONTAINED ON THIS DOCUMENT IS THE PROPERTY OF USFILTER AND/OR ITS AFFILIATES (USFTA). THE DESIGN CONCEPTS AND INFORMATION CONTAINED HEREIN ARE PROPRIETARY TO USF AND ARE SUBMITTED IN CONFIDENCE. THEY ARE NOT TO BE REPRODUCED OR USED IN ANY MANNER WITHOUT THE EXPRESS WRITTEN CONSENT OF USF. USF ASSUMES NO RESPONSIBILITY OR LIABILITY FOR THE USE OF THIS DOCUMENT OR THE DESIGN CONCEPTS AND INFORMATION CONTAINED HEREIN FOR ANOTHER PROJECT, OR IN A MANNER THAT DOES NOT RELATE TO THE PURPOSE OR INTENT OF THIS DOCUMENT. IN NO EVENT SHALL THIS DOCUMENT OR THE DESIGN CONCEPTS AND INFORMATION CONTAINED HEREIN BE USED IN ANY MANNER RETRIBUTIVE TO THE INTEREST OF USF. ALL PARTS SHOWN ARE REQUIRED ACCEPTANCE OF THE DELIVERY OF THIS DOCUMENT CONSTITUTES AGREEMENT TO THESE TERMS AND CONDITIONS.

DESIGNER	DATE
JT	11/05
CHECKER	DATE
JMC	11/05
ENGINEER	DATE
JT	11/05
MANAGER	DATE
EC	11/05
FILE:	
504170-001-003-009-2	
SCALE:	

TITLE	INNERDOOR LAYOUT & NAMEPLATE SCHEDULE PUMP CONTROL PANEL PANEL 001
CLIENT	LONGBOAT KEY, FL
PROJECT	504170
CODE	001
DRAWING	E03
SHEET	9 OF 9
REV	2

USFilter US FILTER CONTROL SYSTEMS
 VADNAIS HEIGHTS, MN
 PH. 651-766-2700