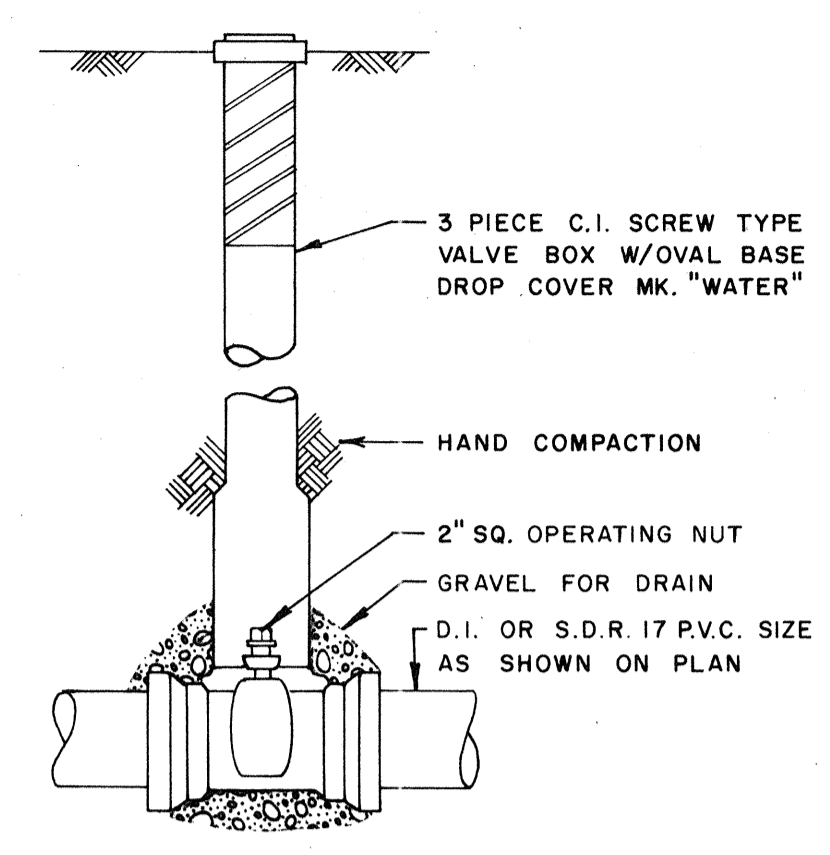
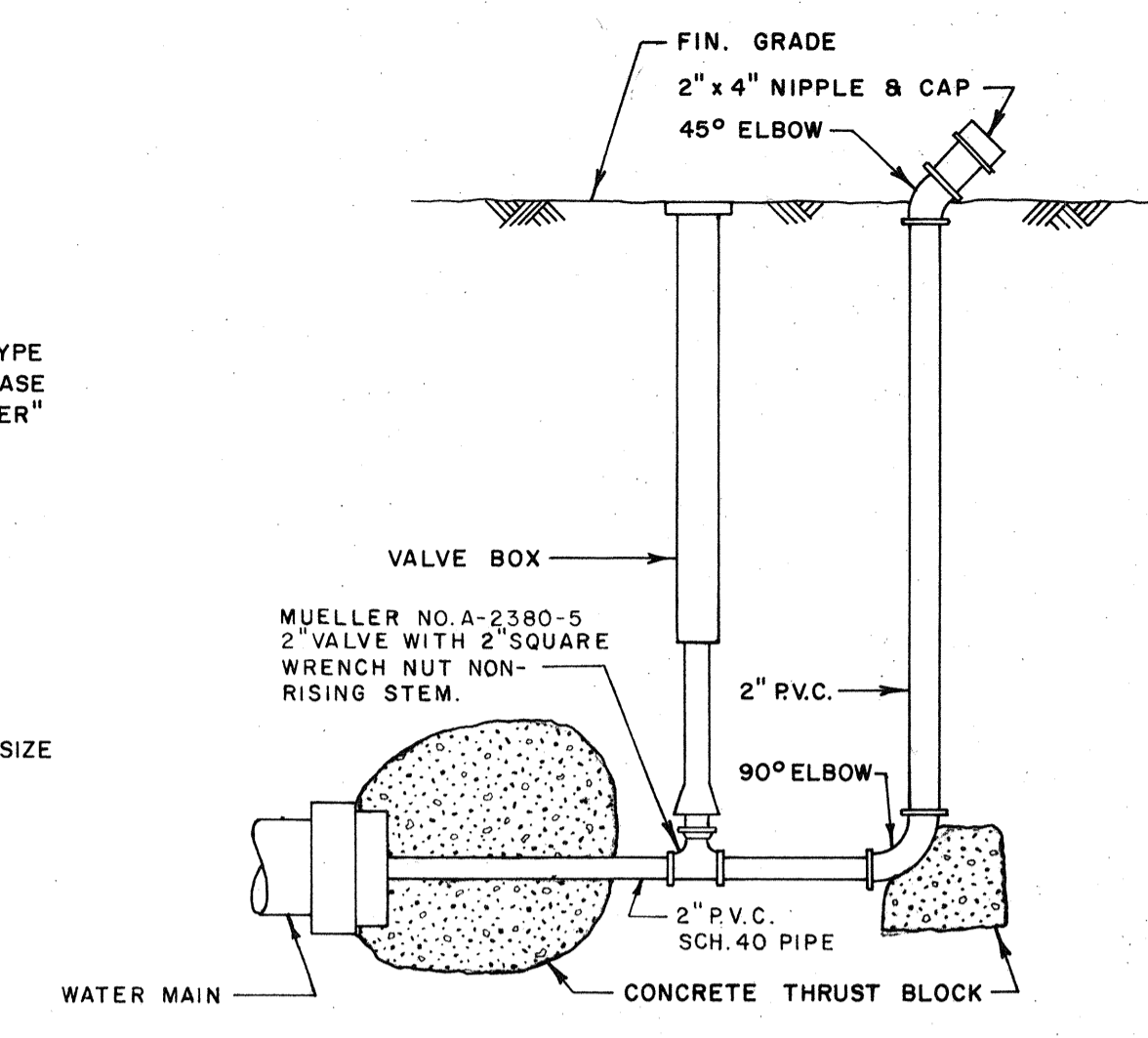


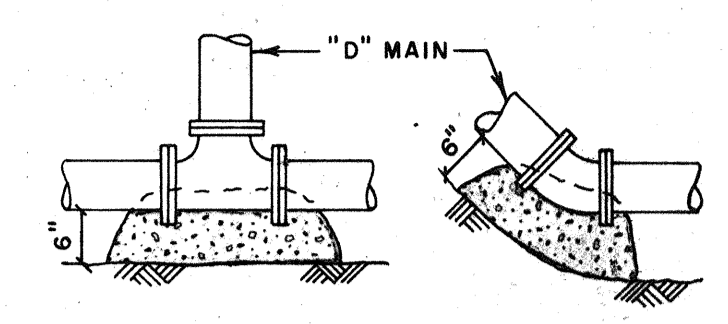
TYPICAL METERED SERVICE DETAILS
NO SCALE



VALVE DETAIL
NO SCALE



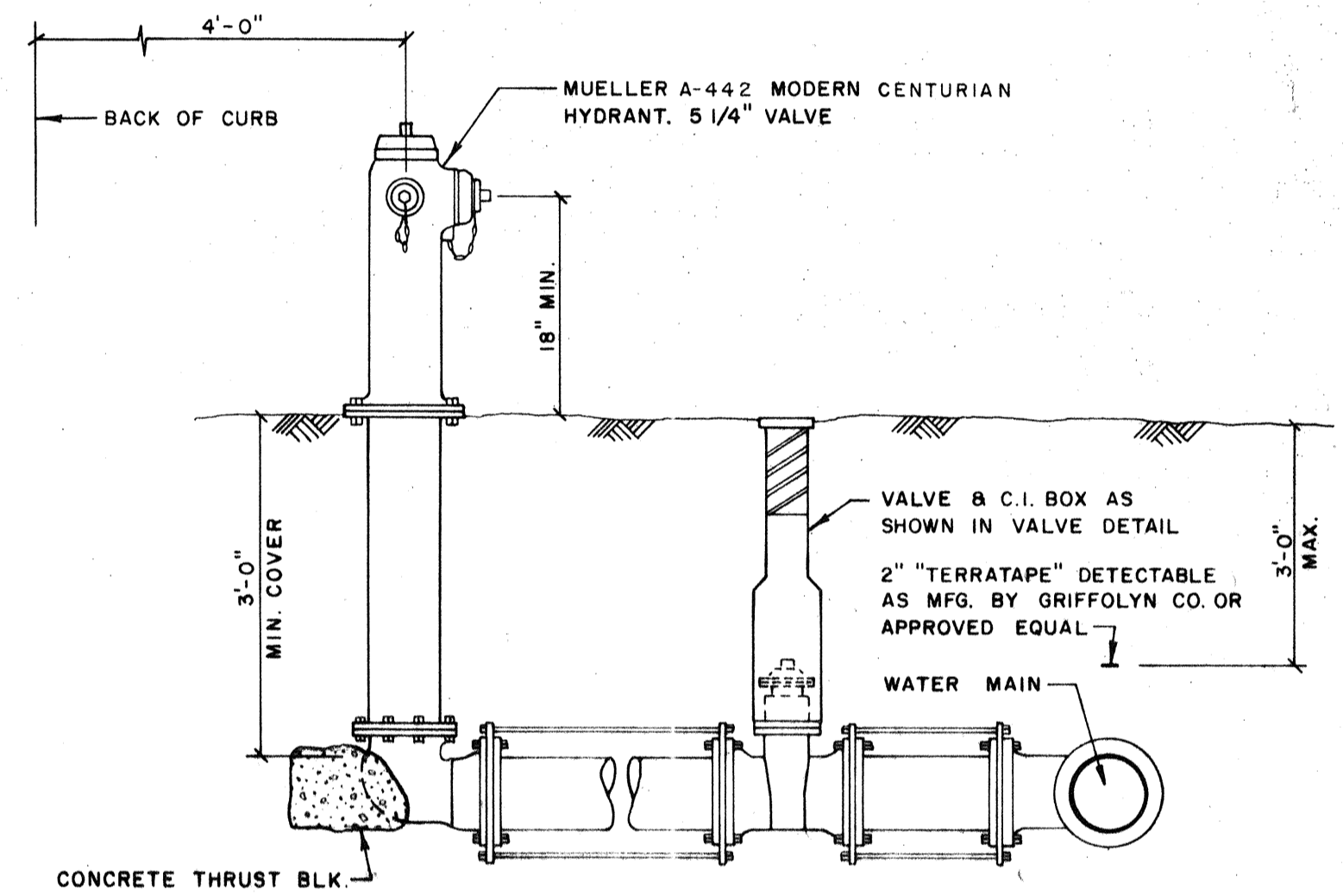
TYPICAL BLOWOFF DETAIL
NO SCALE



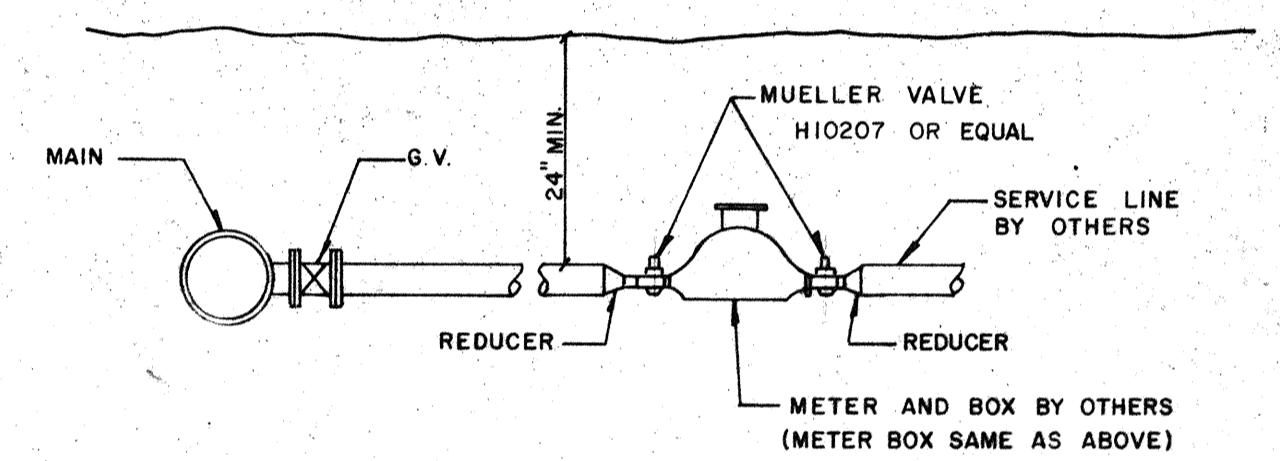
AREAS DETERMINED BY CONC. CONTACT WITH UNDISTURBED MATERIAL

THRUST BLOCK AREAS IN SQ. FT.				
SIZE	TEE	90° BEND	45° BEND	22 1/2° BEND
4"	1.5	2.0	1.0	1.0
6"	4.0	5.5	3.0	1.5
8"	7.0	10.0	5.0	3.0
10"	10.0	14.0	7.0	5.0

WATER MAIN THRUST BLOCKS



TYPICAL FIRE HYDRANT DETAIL
NO SCALE



TYPICAL SERVICE DETAIL
NO SCALE

NOTE:
1. ALL P.V.C. WATER MAIN SHALL BE COLOR CODED BLUE WITH CLASSIFICATION SDR-17, WITH 36" COVER AND DETECTABLE TAPE.

BENNETT & BISHOP
CONSULTING ENGINEERS & SURVEYORS
SARASOTA FLORIDA

APPROVED BY: *William J. Bishop* 10/28/89

DATE	SCALE	AS SHOWN	DESIGN	DRAWN	R.A.B.	CHECK	APPROVED	DATE	DESCRIPTION

ARVIDA CORPORATION
HARBORSIDE TENNIS CLUB - PHASE II-IV
SARASOTA, FLORIDA

WATER SUPPLY DETAILS

DRWG. NO.
191-25
12