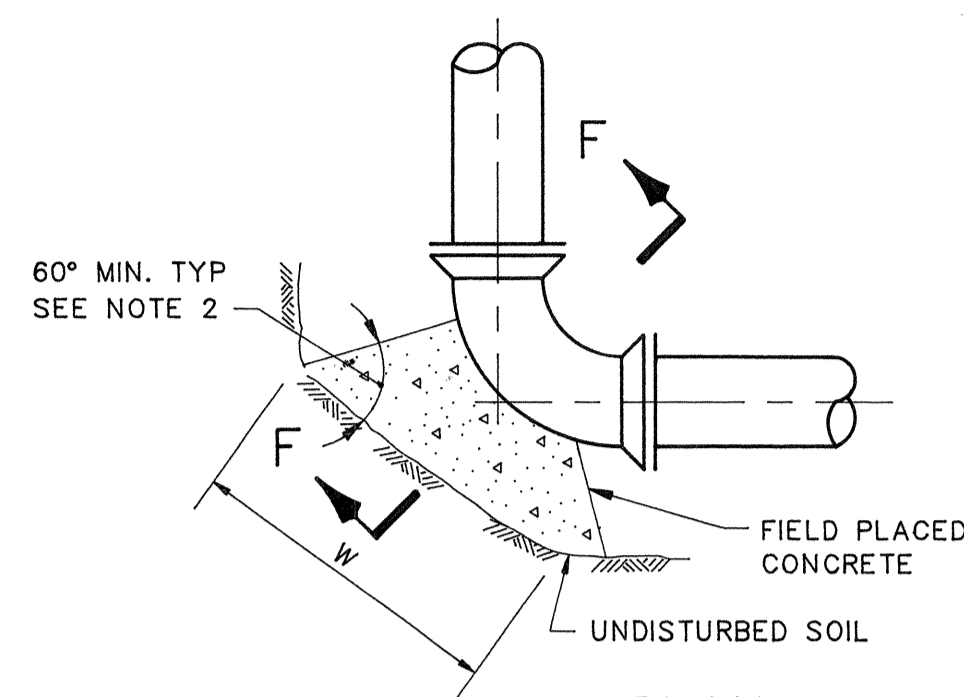


SECTION F

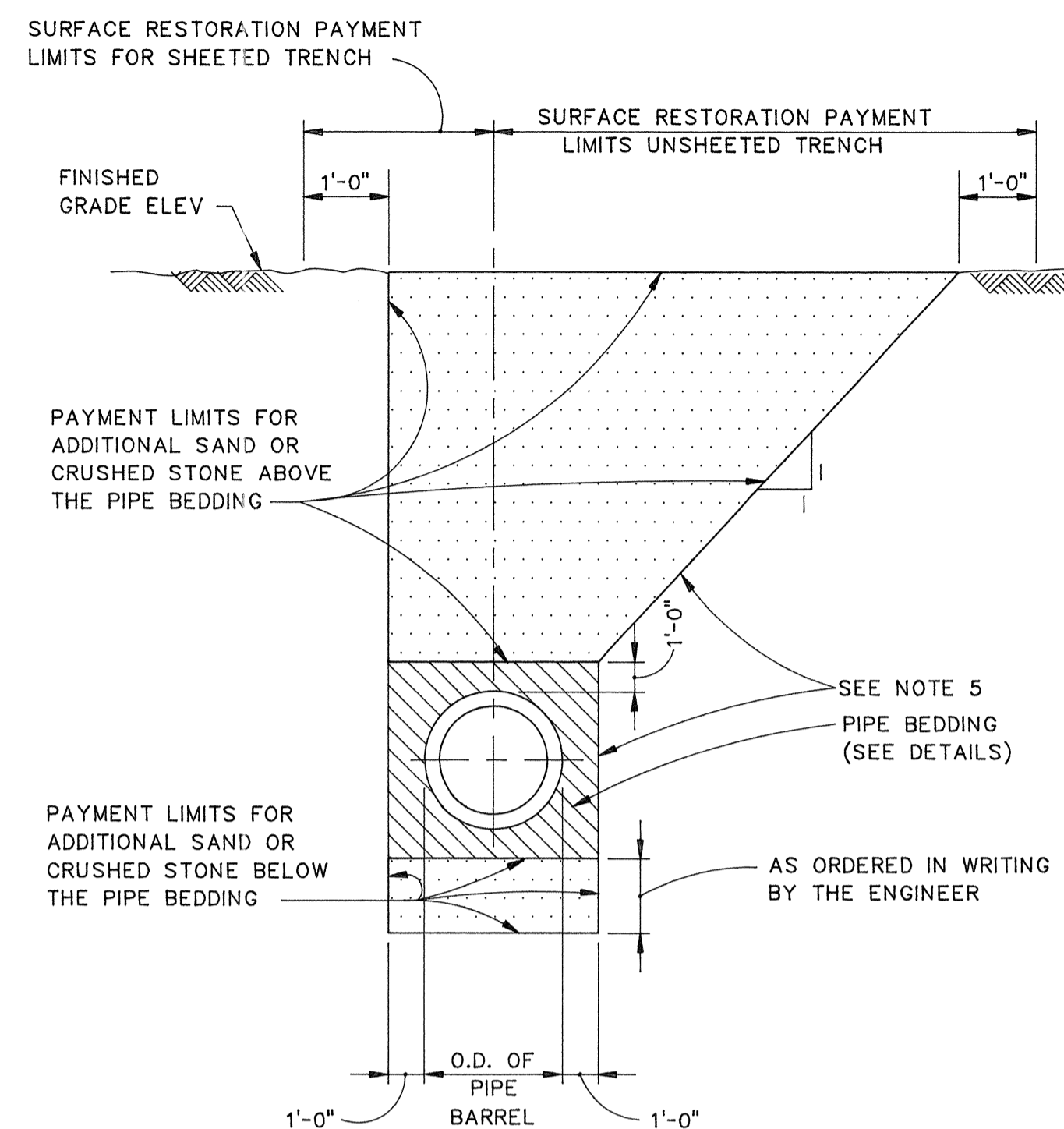
THRUST BLOCK DIMENSIONS		
PIPE SIZE	8"	
DEFLECTION OF BENDS	W	H
90°	3.5'	2.5'
45°	3.0'	2.0'
22 1/2°	2.0'	1.5'
11-1/4°	1.5'	1.5'
TEE OR PLUG	3.5'	2.5'



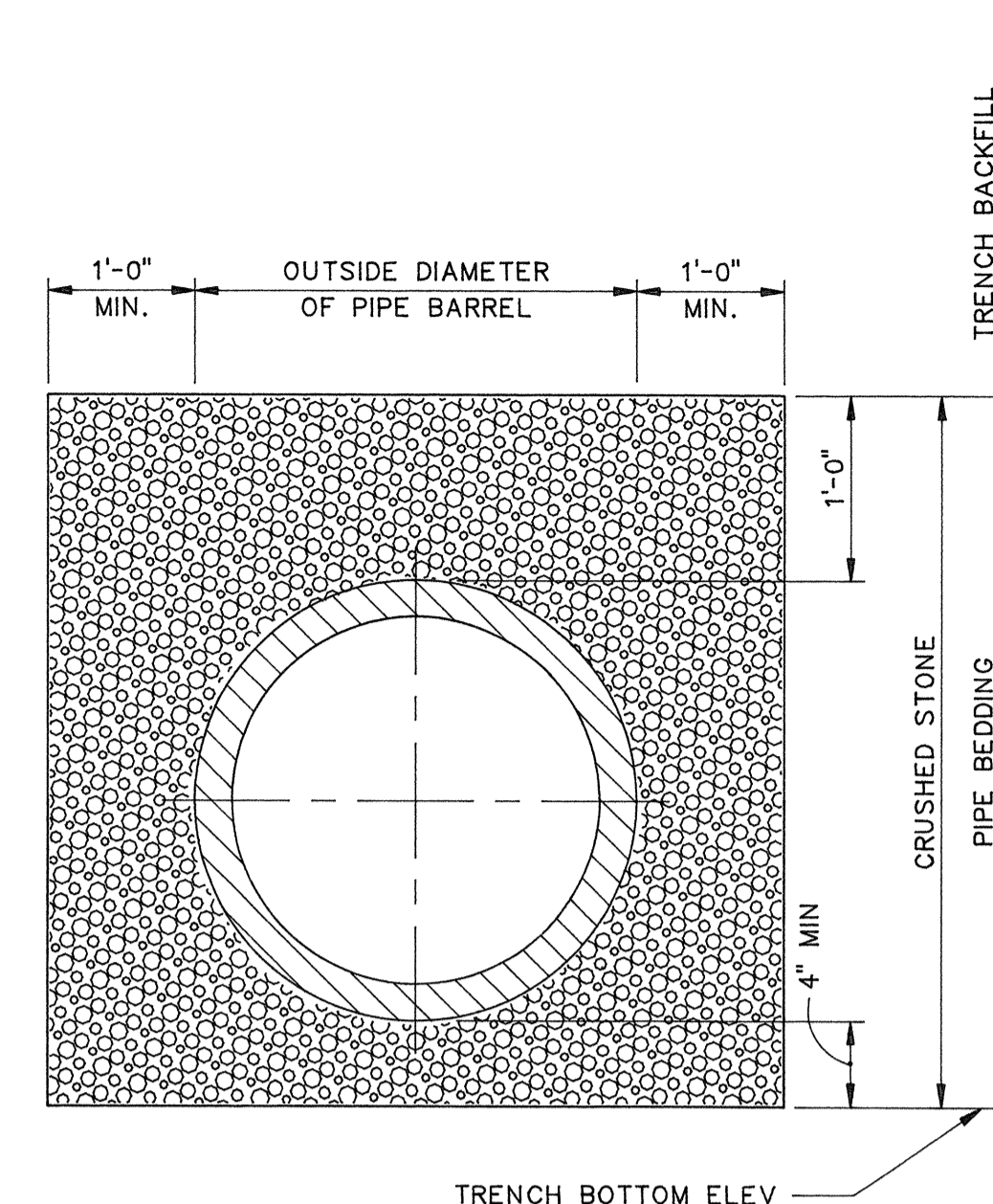
PLAN

- NOTES:
- THRUST BLOCK FOR 90° BEND SHOWN. FOR PLUG, TEE, 45° BENDS, 22 1/2° BENDS, AND 11 1/4° BENDS THRUST BLOCKS ARE SIMILAR.
 - TRENCH MAY NEED FURTHER EXCAVATION AROUND FITTINGS IN ORDER TO ACHIEVE REQUIRED BEARING AREA GIVEN 60° MIN ANGLE REQUIRED.

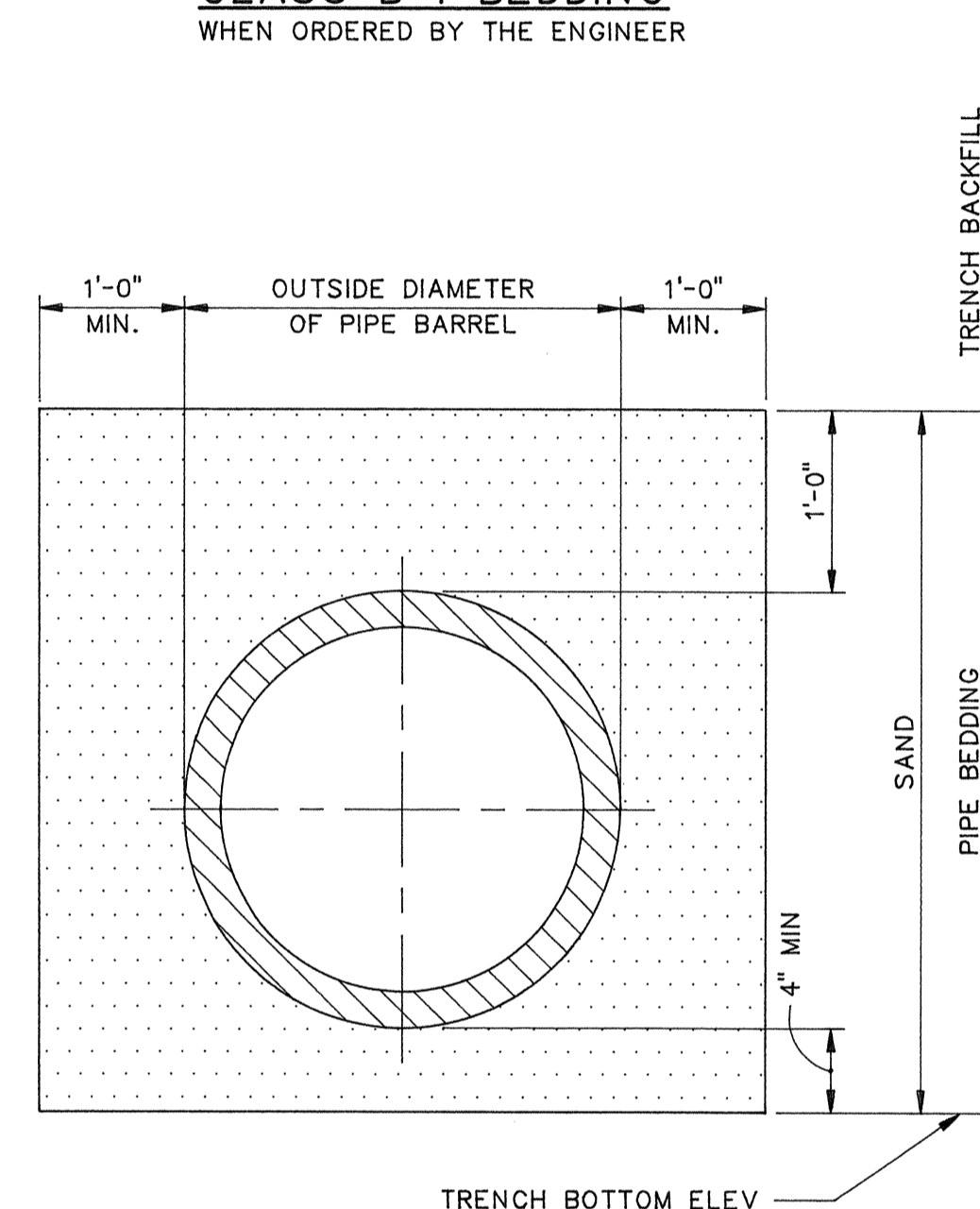
DETAIL - FIELD CAST THRUST BLOCK
NOT TO SCALE



PAYMENT LIMITS FOR SURFACE RESTORATION AND ADDITIONAL SAND OR CRUSHED STONE FOR TRENCH STABILIZATION
NOT TO SCALE



CLASS B-1 BEDDING
WHEN ORDERED BY THE ENGINEER



CLASS C BEDDING

PIPE BEDDING DETAILS
NOT TO SCALE

NOTES:

- ALL TYPES OF PIPE BEDDING SHALL EXTEND TO UNDISTURBED EARTH AT THE SIDES AND BOTTOM OF THE TRENCH.
- SAND AND CRUSHED STONE PIPE BEDDING SHALL BE PLACED AND COMPACTED IN ACCORDANCE WITH SPECIFICATIONS.
- CRUSHED STONE FOR CLASS B-1 BEDDING SHALL BE COMPLETELY ENVELOPED IN NONWOVEN FILTER FABRIC CONFORMING TO FDOT SSRBC, SECTION 985, GEOTEXTILE FABRICS (PLASTIC FILTER FABRIC), FOR STABILIZATION AND REINFORCEMENT.
- CONTRACTOR SHALL USE ALL SURPLUS SAND, APPROVED AS SUITABLE, FROM EXCAVATIONS IN THIS CONTRACT PRIOR TO SUPPLYING SAND FROM OTHER SOURCES. PAYMENT FOR ADDITIONAL SAND WILL BE MADE ONLY FOR SAND SUPPLIED FROM SOURCES OTHER THAN EXCAVATIONS IN THIS CONTRACT. NO SEPARATE PAYMENT WILL BE MADE FOR SAND FOR PIPE BEDDING WHICH IS INCLUDED UNDER THE ITEM FOR PAYMENT FOR PIPELINES.
- DETAILS ARE NOT TO BE INTERPRETED AS DELINEATING, OR INFLUENCING IN ANY MANNER, THE TRENCH CONFIGURATION, WHICH IS SUBJECT TO OSHA REGULATIONS.

GREELEY AND HANSEN
ENGINEERS
1715 NORTH WESTSHORE BOULEVARD
TAMPA, FLORIDA 33607

DESIGNED TYW
DRAWN GR
CHECKED NJH

APPROVED

NO.	DATE	APPD	REVISION

SCALE

NO SCALE

TOWN OF LONGBOAT KEY, FLORIDA
HARBORSIDE DRIVE
SANITARY FORCE MAIN REPLACEMENT

MISCELLANEOUS DETAILS

PROJ. NO. 5231

DWG SHEET 4 OF 4
DATE MAY 1995 REV 0