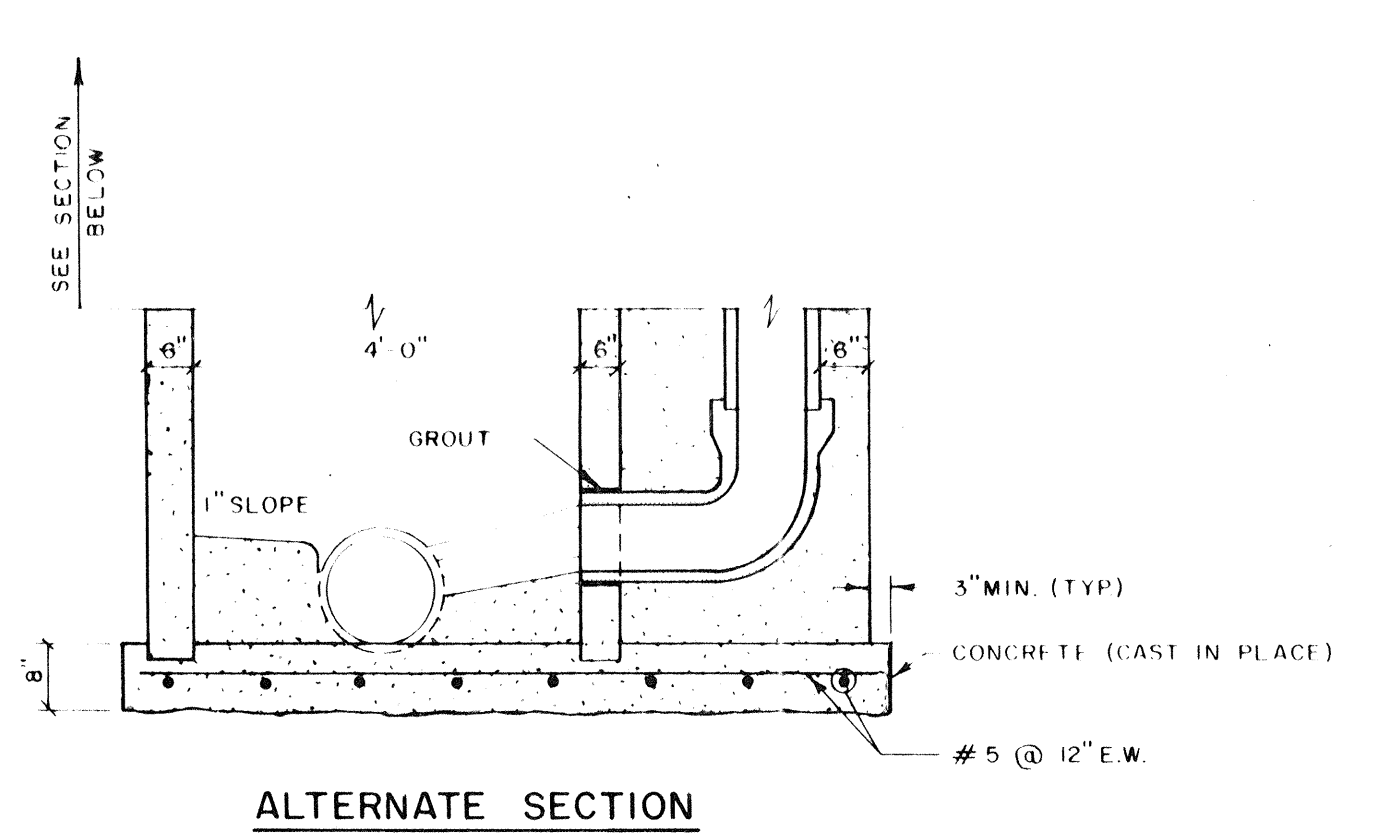
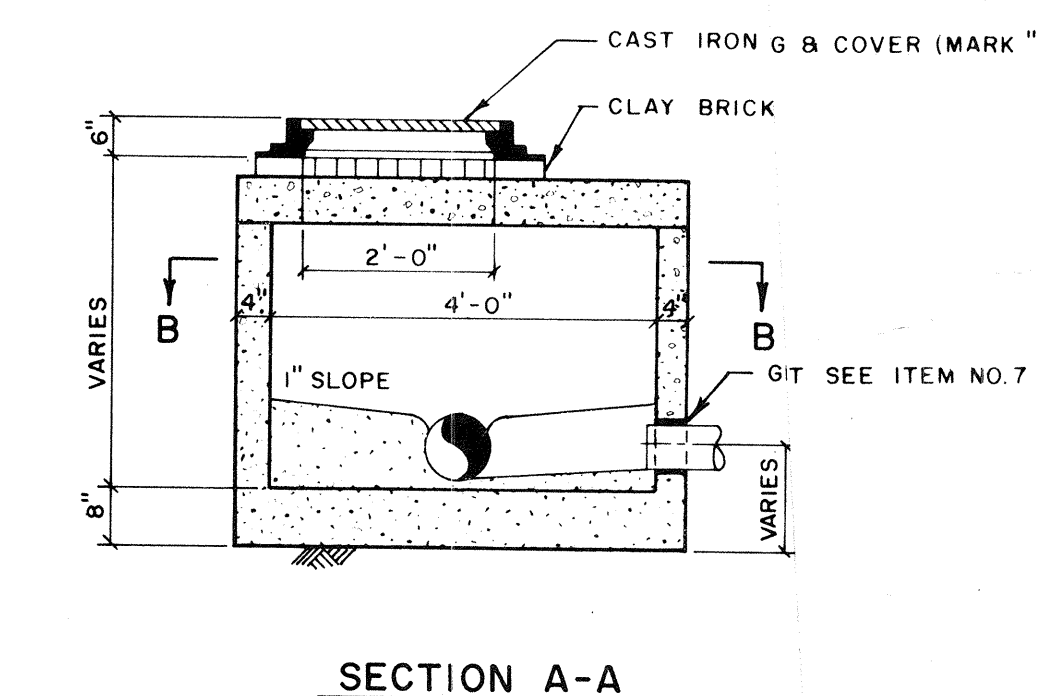


PLAN

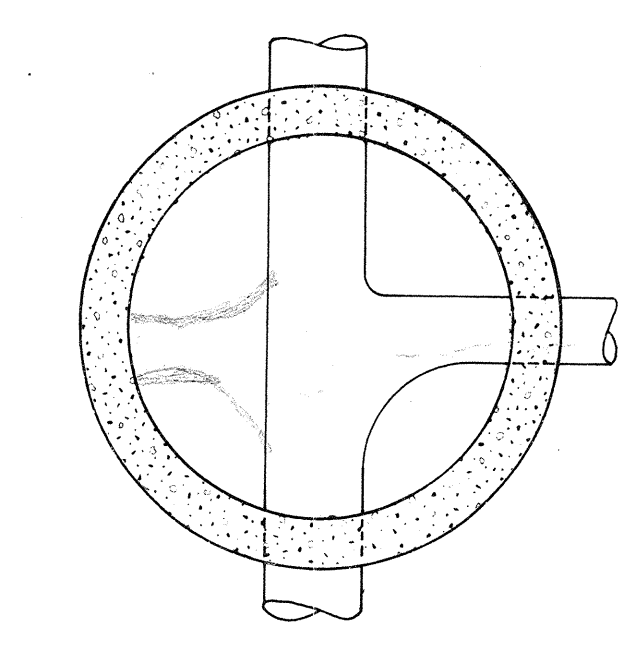
PLAN



ALTERNATE SECTION

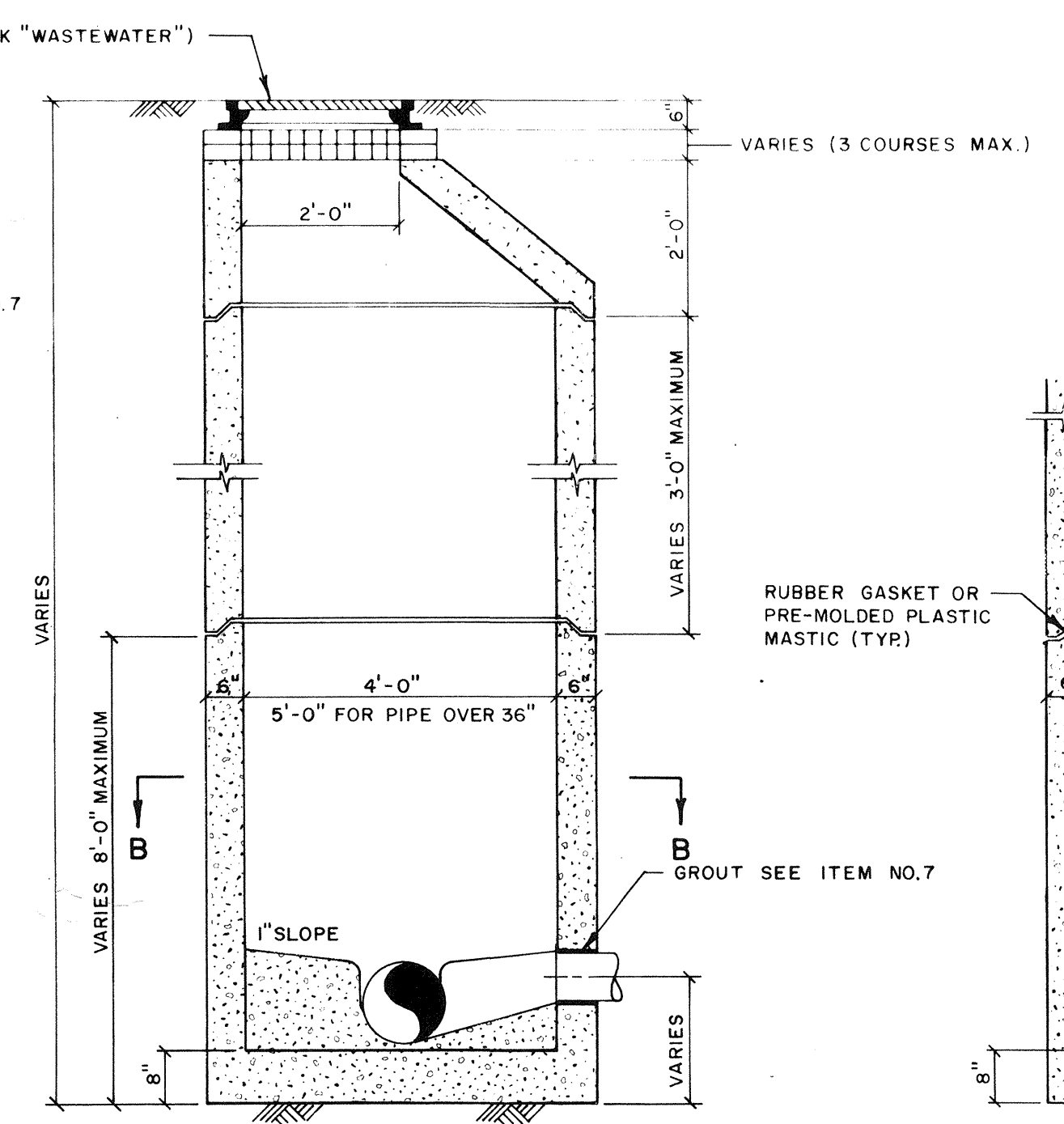


SECTION A-A



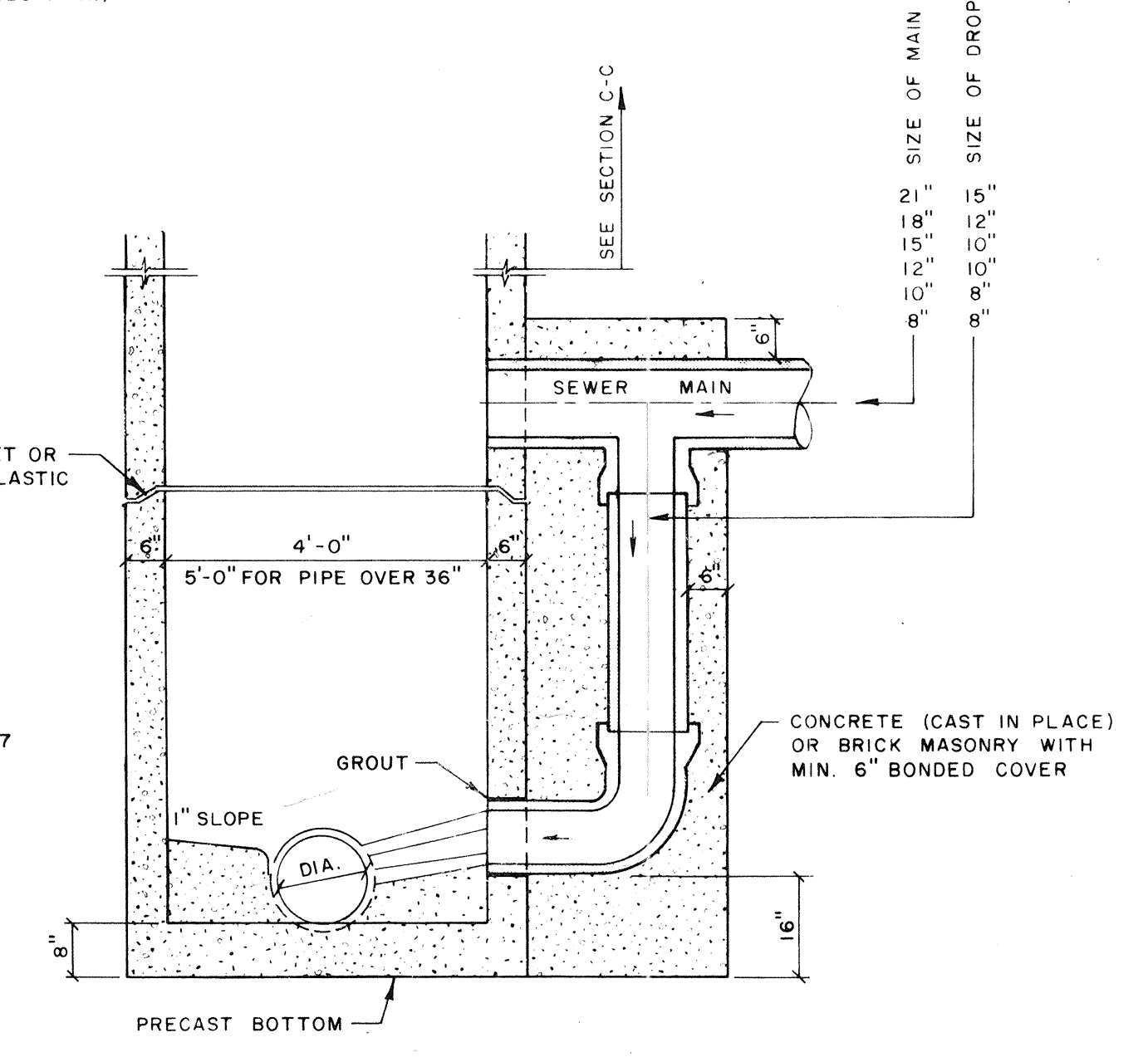
SECTION B-B

FOR DEPTHS 5'-0" & LESS
SCALE: 1/2"=1'-0"



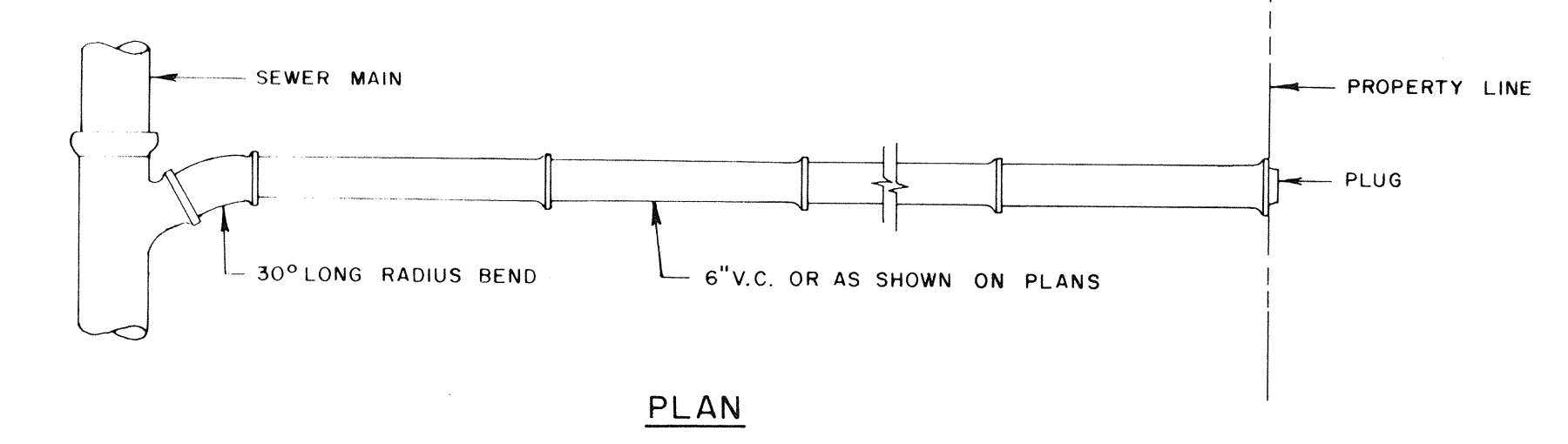
SECTION C-C

FOR DEPTHS OVER 5'-0"
SCALE: 1/2"=1'-0"

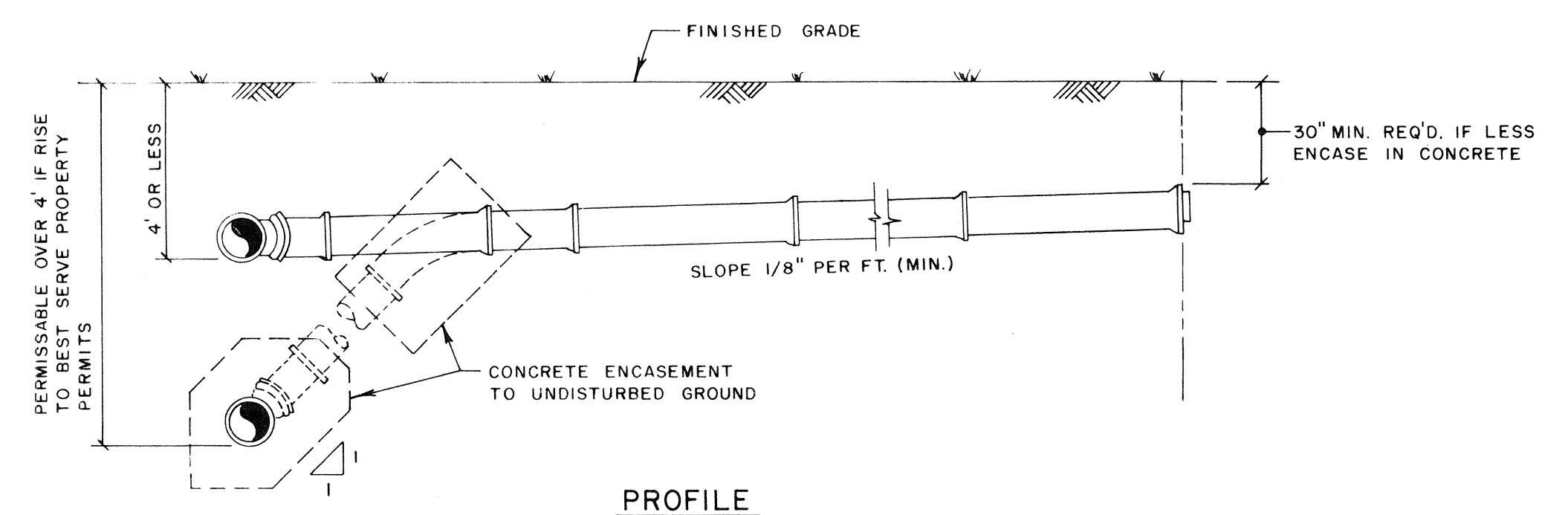


SECTION

DROP MANHOLE
SCALE: 1/2"=1'-0"

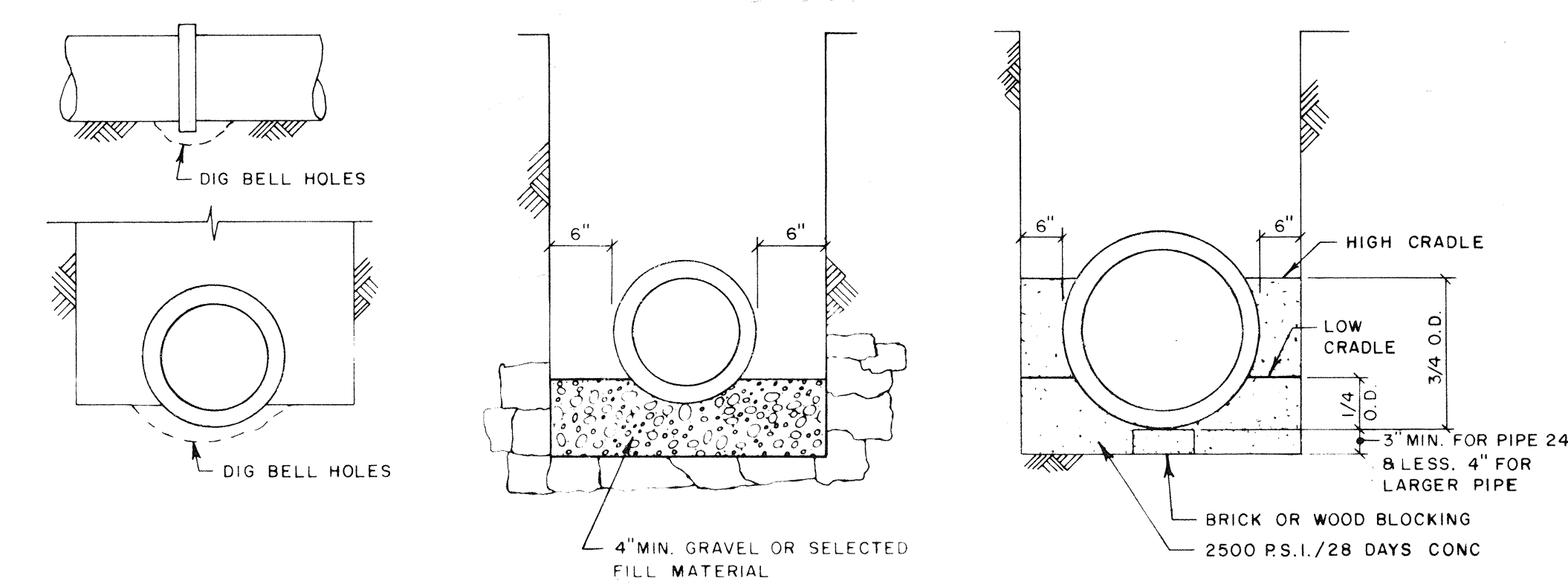


PLAN



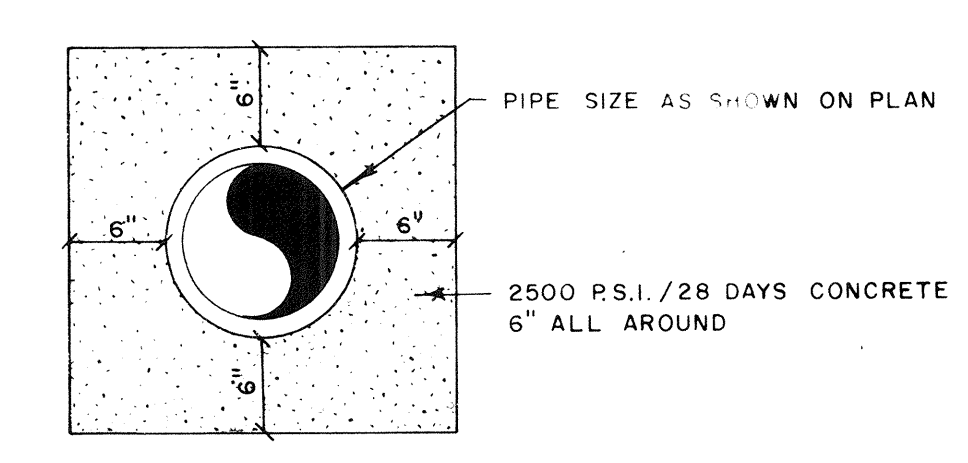
PROFILE

TYPICAL SERVICE CONNECTION
NO SCALE



TRENCH IN EARTH TRENCH IN ROCK CONCRETE CRADLES

TYPICAL EXCAVATION & PIPE SETTINGS
NO SCALE



CONCRETE ENCASEMENT
NO SCALE

MANHOLE SPECIFICATIONS:

1. MANHOLES SHALL COMPLY WITH SPECIFICATION C-478, LATEST REVISION, "PRECAST REINFORCED CONCRETE MANHOLE SECTIONS."
2. CONCRETE SHALL BE 4,000 P.S.I./28 DAY MINIMUM STRENGTH, WITH TYPE I CEMENT.
3. HEAVY DUTY MANHOLE RING (6" HIGH) AND COVER SHALL BE COVER TYPE B, No. 240 (old no. 24), 333 lbs. wgt., WITH PICKHOLE, AS MANUFACTURED BY U.S. FOUNDRY & MANUFACTURING CORP., MEDLEY, FLORIDA, OR APPROVED EQUAL THE WORDS "WASTE WATER" SHALL BE IN CAST LETTERS ON THE COVER.
4. REINFORCING PER A.S.T.M. SPEC. C-478, LATEST REV.
5. LEVELING BRICKS TO BE CLAY; MORTAR TO BE 2 PARTS CLEAN SAND AND 1 PART CEMENT WITH NO MORE THAN 1/4 PART HYDRATED LIME, WITH JOINTS FULL & STRUCK FLUSH.
6. NO STEPS SHALL BE USED.
7. COMPLETELY FILL SPACE BETWEEN PIPE AND MANHOLE WALL WITH CEMENT MORTAR AFTER PIPE IS SET WITH 15 LB. EMBECO PER 100 LB. CEMENT.

GENERAL NOTES:

1. WHERE WATER & WASTEWATER MAINS CROSS WITH LESS THAN 18" VERTICAL CLEARANCE, THE WASTEWATER PIPE SHALL BE OF EITHER CAST IRON OR CONCRETE ENCASED VITRIFIED CLAY, (20' MIN.) CENTERED ON THE POINT OF CROSSING.
2. PARALLEL WATER & WASTEWATER MAINS SHALL MAINTAIN A HORIZONTAL SEPARATION OF AT LEAST 10' WHERE PRACTICAL.

BENNETT & BISHOP
CONSULTING ENGINEERS & SURVEYORS
SARASOTA FLORIDA

APPROVED BY: *William S. Bennett*

DATE	SCALE	DESIGN	DRAWN	CHECK	APPROVED	DESCRIPTION
2/29/59	AS SHOWN					

ARVIDA CORPORATION
HARBOURSIDE DRIVE and FAIR OAKS LANE
SARASOTA, FLORIDA

SANITARY SEWER DETAILS

DRWG. NO. 191-667