

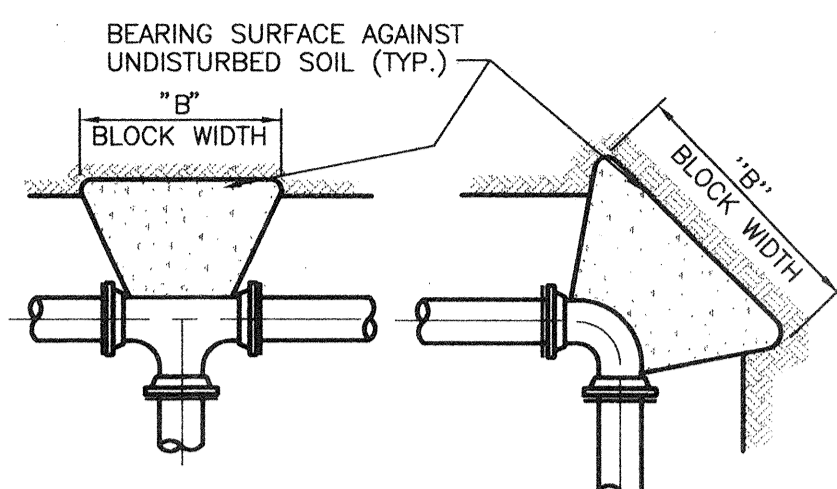
BURIED VALVE AND BOX DETAIL
N.T.S.

NOTES:

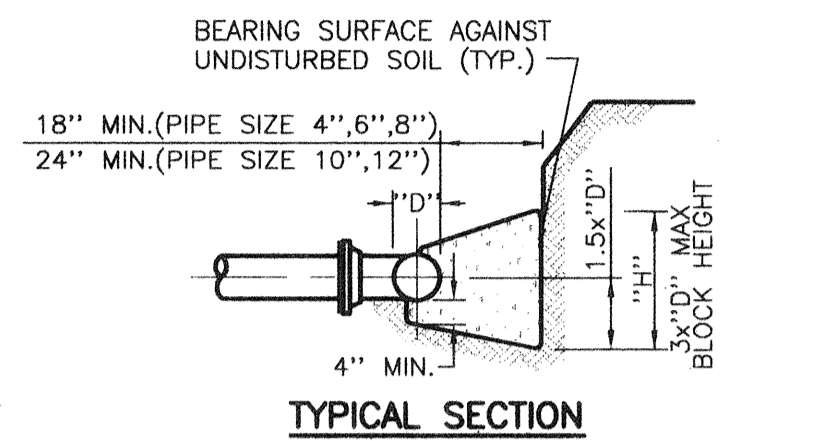
1. THRUST BLOCK BEARING AREA BASED ON 2000 PSF SAFE SOIL BEARING. IF ACTUAL SOIL BEARING IS LESS THAN 2000 PSF, CONTRACTOR SHALL BE REQUIRED TO PLACE ADDITIONAL THRUST BEARING AS DETERMINED BY THE ENGINEER. NO ADDITIONAL COST.
2. THRUST BLOCKS SHALL BE POURED AGAINST UNDISTURBED SOIL.
3. CONCRETE SHALL BE KEPT CLEAR OF "T" BOLT AND PLACED BENEATH FITTINGS AS SHOWN OR SUPPORT. WRAP ALL FITTINGS WITH PLASTIC BEFORE POURING THRUST BLOCK CONCRETE.
4. BEFORE POURING CONCRETE, PLUGS SHALL BE WRAP WITH PLASTIC AND A PRESSURE TREATED BROAD PLACED BETWEEN IT AND THE CONCRETE.
5. "B" SHALL NOT EXCEED 2 x "H".

PIPE SIZE	90° ELB	45° ELB	22 1/2° ELB	11 1/4° ELB	TEE OR PLUG
4"	2.0	1.1	1.0	1.4	1.4
6"	4.5	2.4	1.2	3.2	3.2
8"	8.0	4.3	2.2	5.7	5.7
10"	12.5	6.8	3.5	8.8	8.8
12"	18.0	9.7	5.0	12.7	12.7

DESIGN PRESSURE = 150 PSI

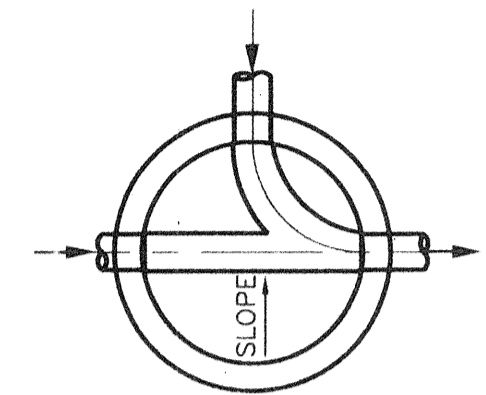


TYPICAL JOINT DETAIL
N.T.S.

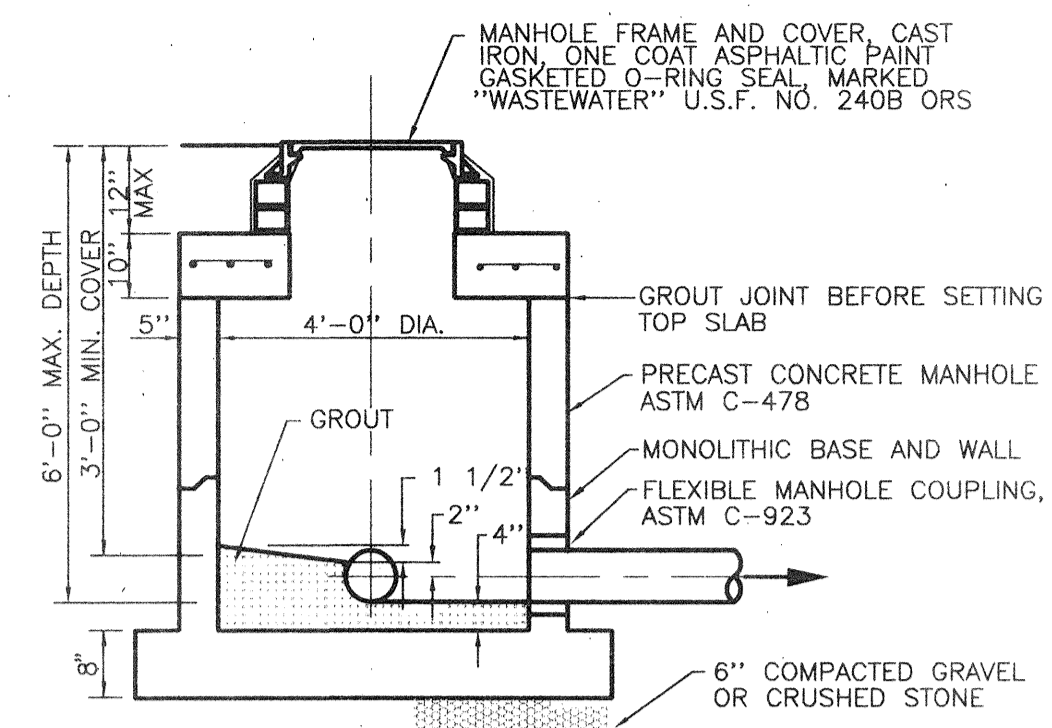


TYPICAL SECTION

WATERMAIN THRUST BLOCK DETAIL
N.T.S.

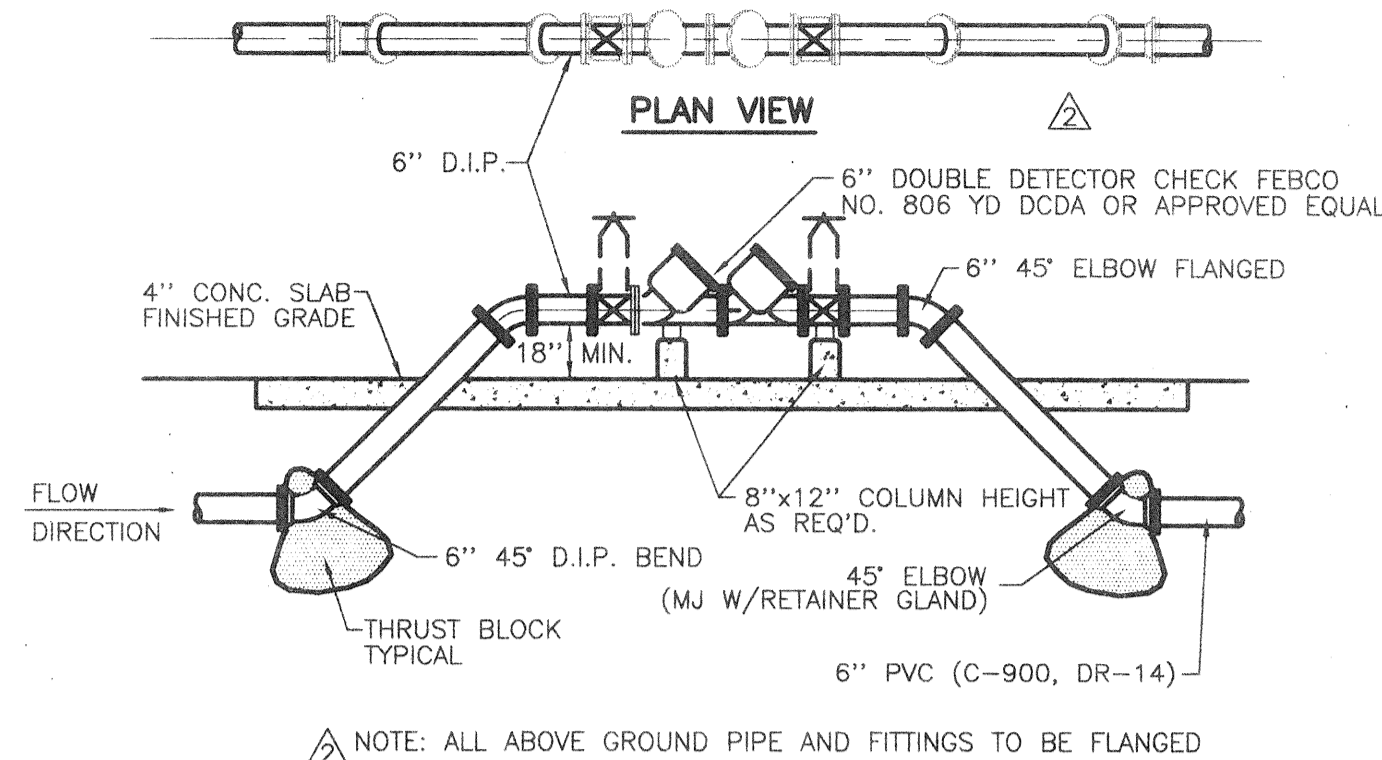


FLOW CHANNEL PLAN
N.T.S.

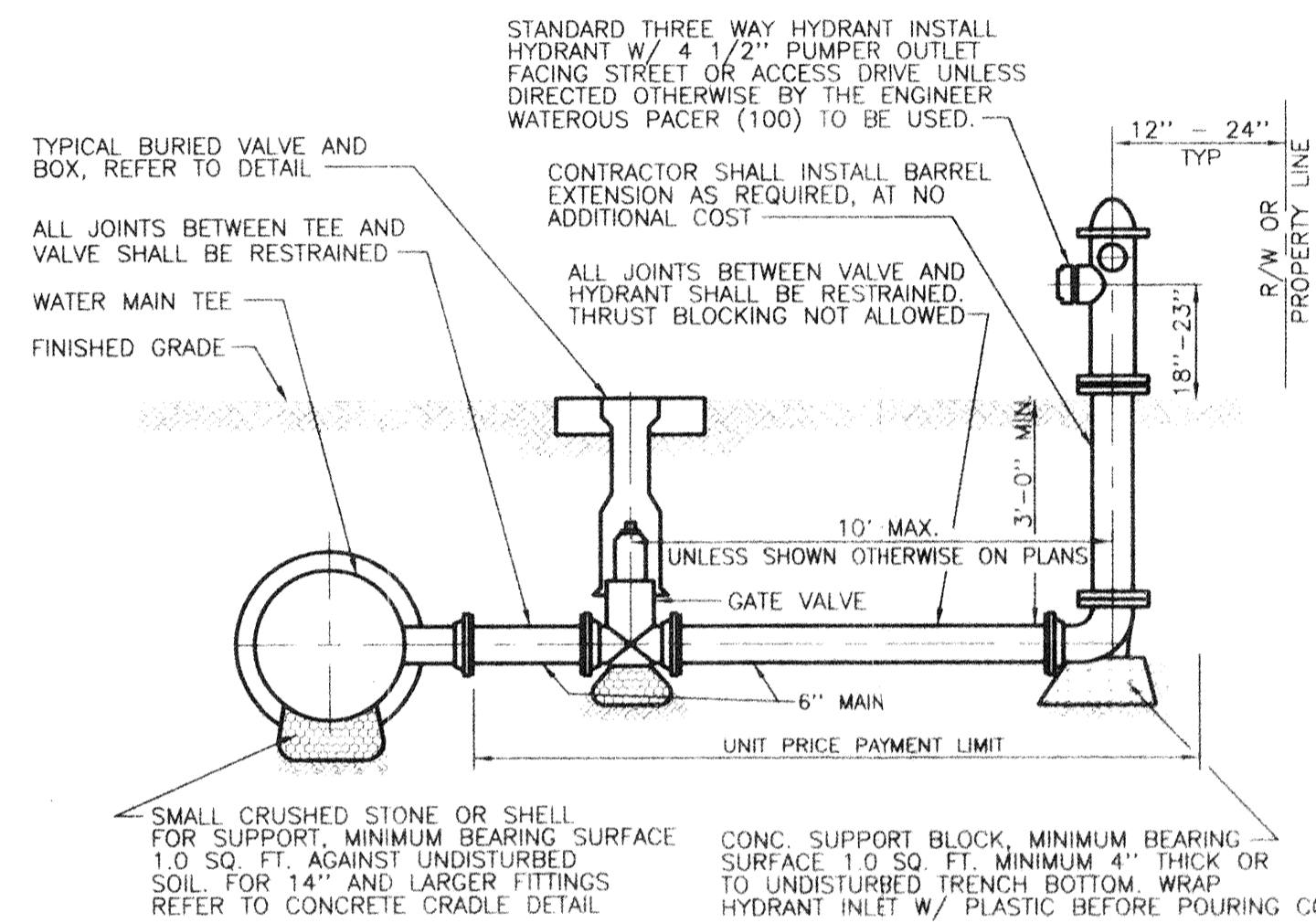


- NOTE:**
COATINGS:
EXTERIOR, 2 COATS 16-18 MILS DFT BITUMASTIC (KOPPERS 300M)
INTERIOR, 2 COATS (ONE RED, ONE BLACK) 16-18 MILS DFT BITUMASTIC (KOPPERS 300M)

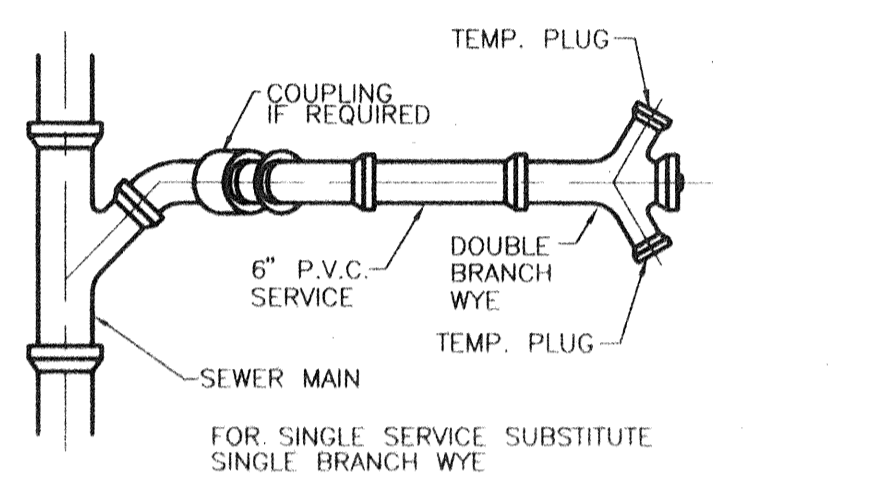
SHALLOW MANHOLE DETAIL
N.T.S.



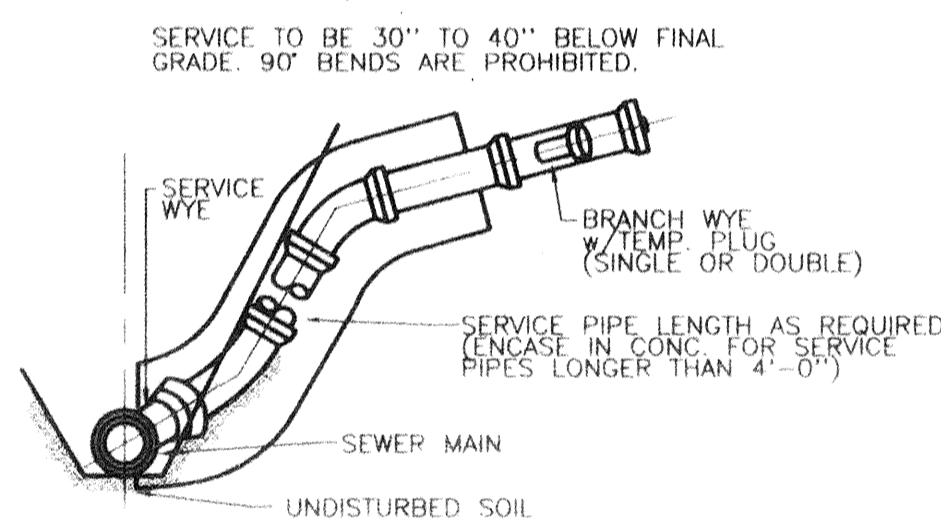
BACK FLOW PREVENTER DETAIL
N.T.S. (FOR FIRELINE)



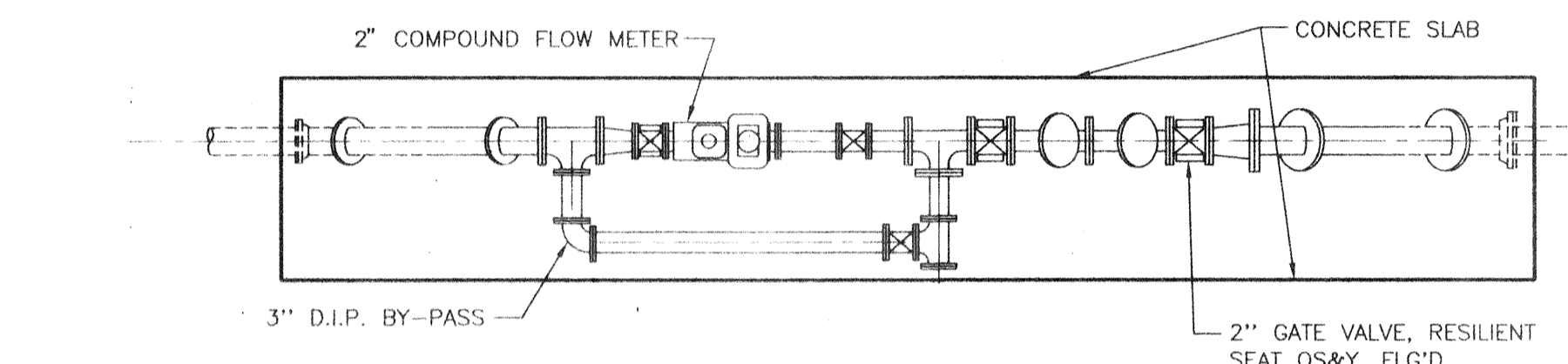
FIRE HYDRANT ASSEMBLY
N.T.S.



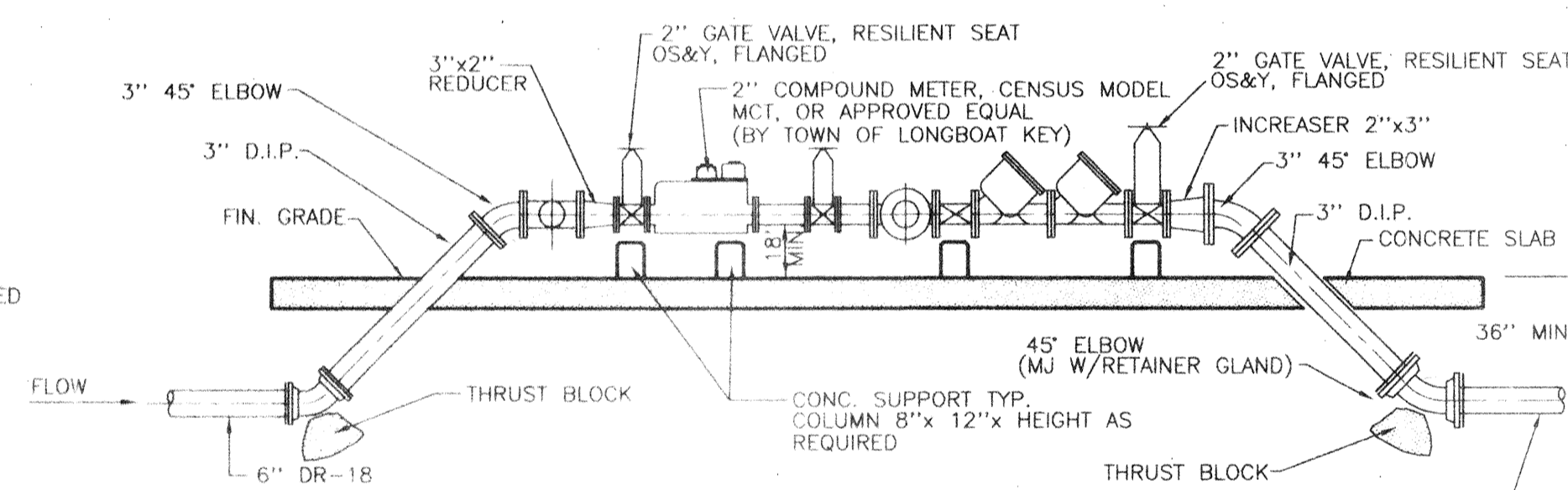
- NOTES:**
1. WHERE SERVICE CONNECTIONS EXCEED 8' IN DEPTH THE SERVICE WYE SHALL BE ENCASED IN CONCRETE.
2. SEWER SERVICE TO BE STAKED IN THE FIELD BY OR UNDER THE DIRECTION OF A REGISTERED ENGINEER AND/OR LAND SURVEYOR.
SERVICE TO BE 30" TO 40" BELOW FINAL GRADE. 90° BENDS ARE PROHIBITED.



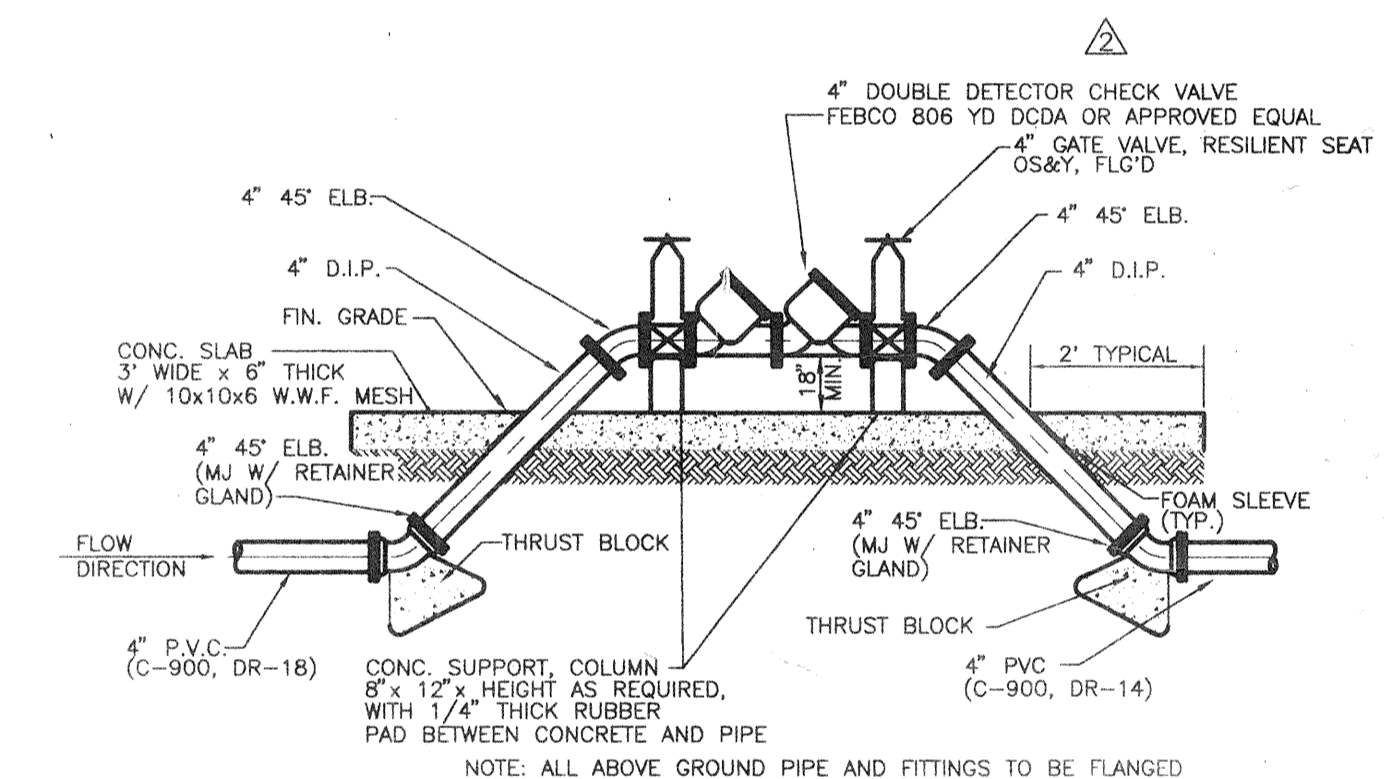
SANITARY SEWER SERVICE DETAIL
N.T.S.



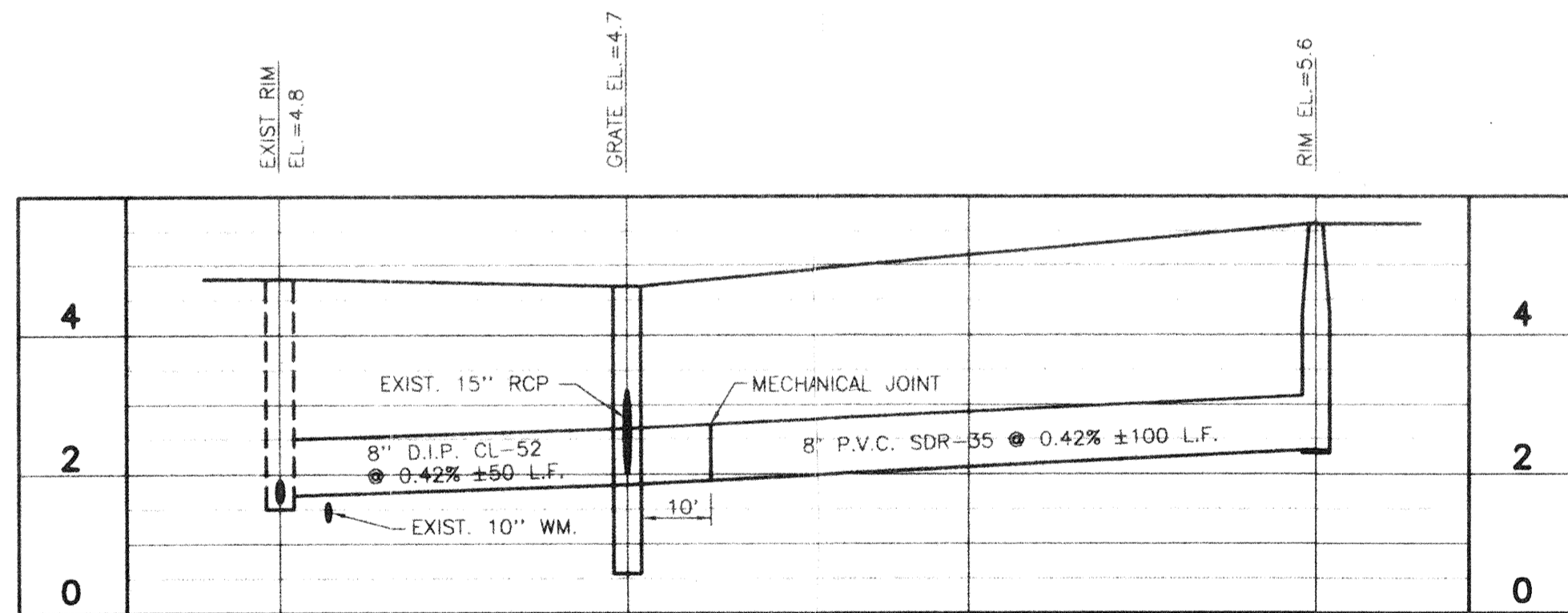
PLAN



WATER METER/BACK FLOW PREVENTER DETAIL
N.T.S.



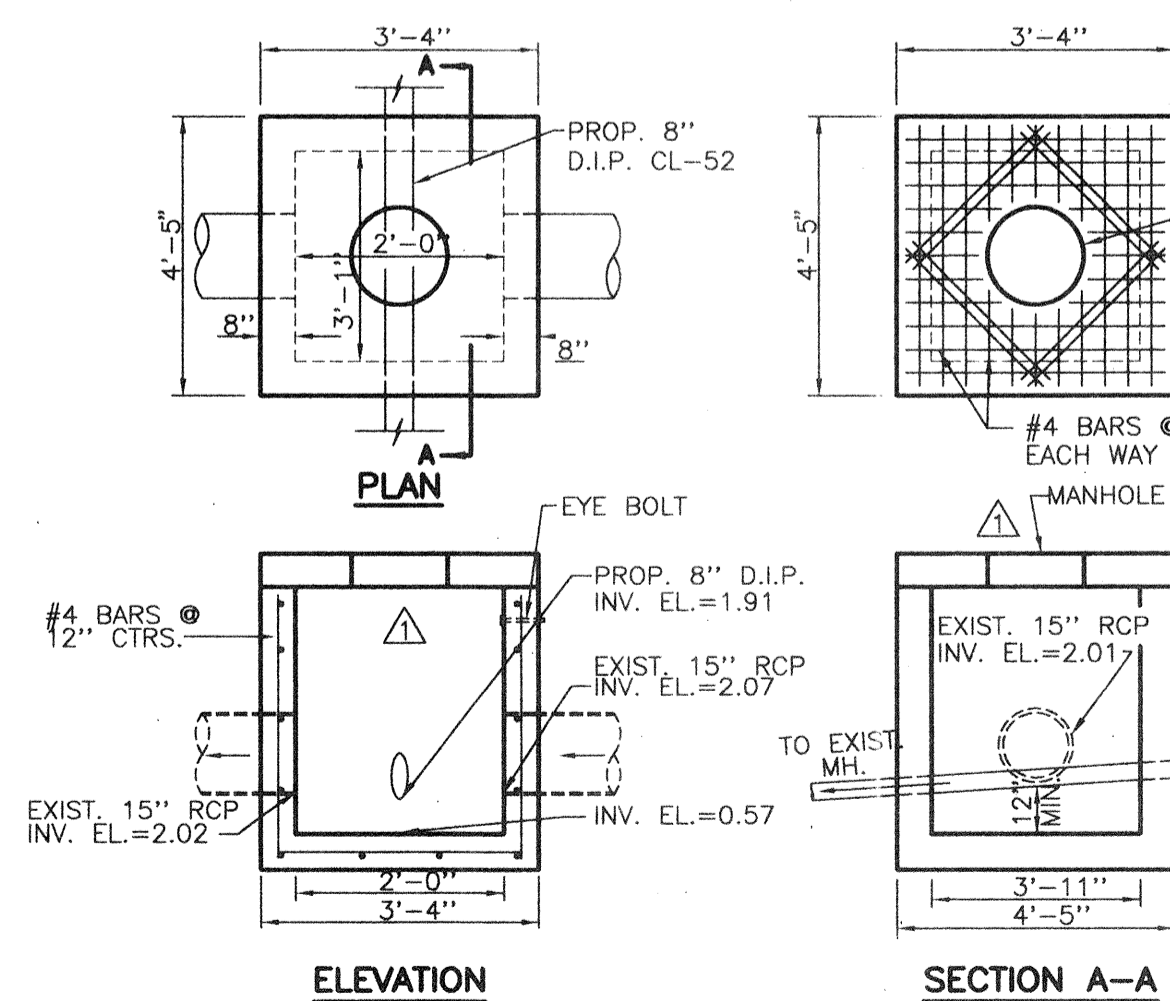
BACKFLOW PREVENTER DETAIL - FIRE
N.T.S.



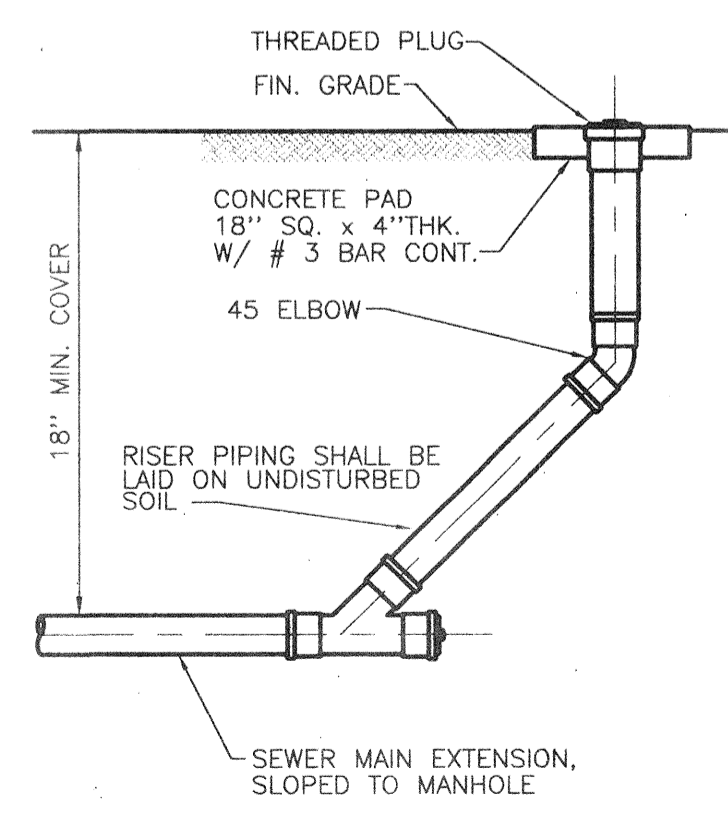
SANITARY SEWER PROFILE
SCALE: 1" = 20' HORIZ.
1" = 2' VERT.

GENERAL NOTES:

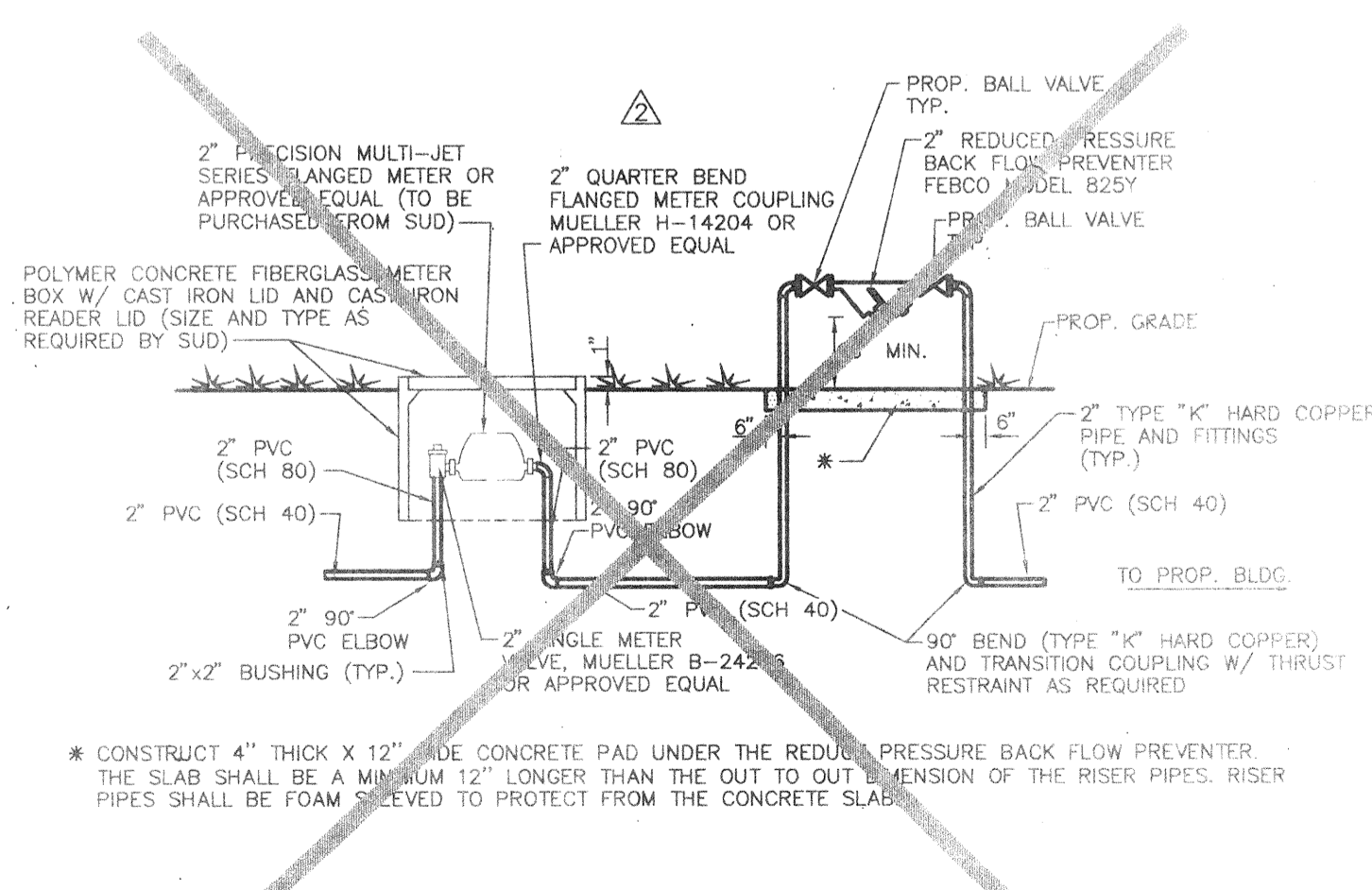
1. ALL P.V.C. WATERMAIN SHALL BE COLOR CODED BLUE WITH CLASS DR-18, (AWWA C-900) WITH 36" COVER AND DETECTABLE TAPE.
2. CONTRACTOR TO CONTACT TOWN OF LONGBOAT KEY UTILITIES DIRECTOR FOR CHANGE OF MATERIALS.
3. CONTRACTOR SHALL USE 3" P.V.C. CL-200, DR-21 FOR WTR SERVICE METER AND RESPECTIVE FITTINGS TO BUILDING IN ACCORDANCE WITH CONTRACT DOCUMENTS AND TOWN OF LONGBOAT KEY REGULATIONS.
4. WHERE WATER AND WASTEWATER MAINS CROSS WITH LESS THAN 18" VERTICAL CLEARANCE, THE WASTEWATER PIPE SHALL BE OF EITHER DUCTILE IRON OR CONCRETE ENCASED P.V.C. 10" MIN. EITHER SIDE OF CROSSING.
5. PARALLEL WATER AND WASTEWATER MAINS SHALL MAINTAIN / HORIZONTAL SEPARATION OF AT LEAST 10'.
6. WHERE STORMWATER SEWERS CROSS OVER WASTEWATER SEWERS WITH LESS THAN 12" VERTICAL CLEARANCE, THE WASTE-WATER PIPE SHALL BE EITHER DUCTILE IRON OR CONCRETE ENCASED P.V.C. 10" MIN. EITHER SIDE OF CROSSING.
7. ALL IRON PIPE AND FITTINGS (WATER AND WASTEWATER) SHALL BE COMPLETELY WRAPPED IN 8 MIL. THICK BLACK PLASTIC FOR CORROSION PROTECTION.



CONFLICT STRUCTURE DETAIL
N.T.S.



CLEAN OUT DETAIL
N.T.S.



BACKFLOW PREVENTER DETAIL DOMESTIC AND IRRIGATION
N.T.S.

RECORD DRAWING

REVISION	DATE	Q.C.	DATE	DESCRIPTION
D.N.S.	2/14/96	M.J.H.	2/14/96	REVISED BACKFLOW PREVENTER DETAIL
D.N.S.	12/18/95	M.J.H.	2/5/96	REVISED CONFLICT STRUCTURE DETAIL
D.B.	12/18/95			ADD 2" BFP, 4" FIRE BFP

TASK	INITIALS	DATE
DESIGN	D.M.W.	5/17/95
DRAWN	D.N.S.	5/17/95
CHECKED	D.M.W.	5/17/95
QUALITY CHK.		
HORIZ. SCALE		N.T.S.
VERT. SCALE		