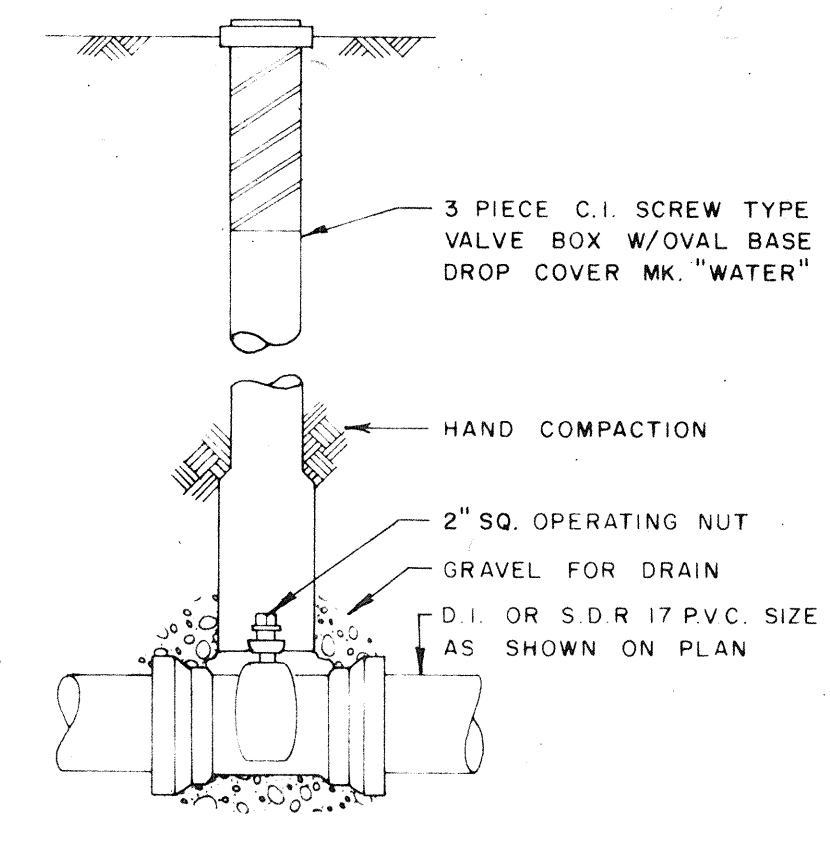
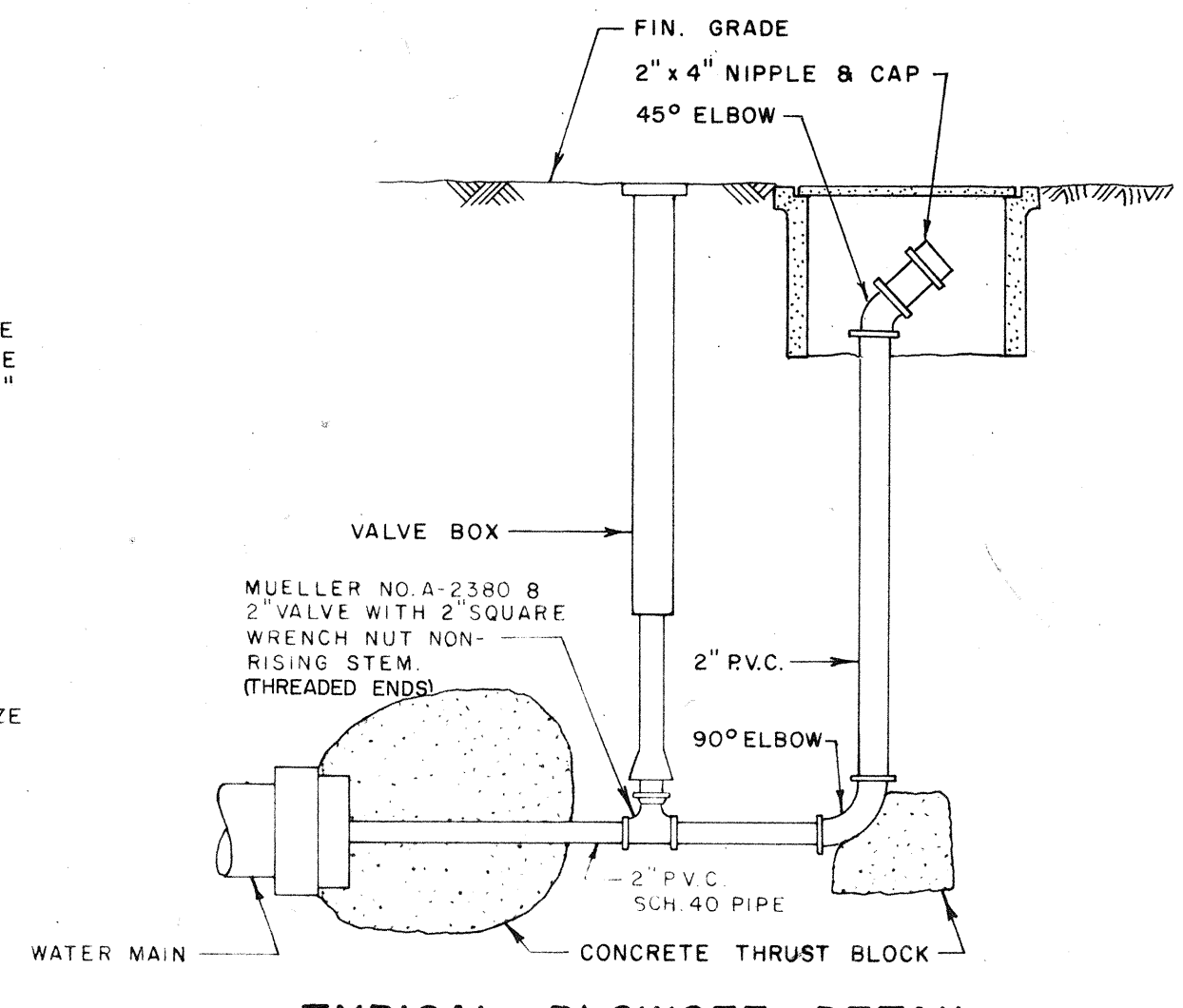


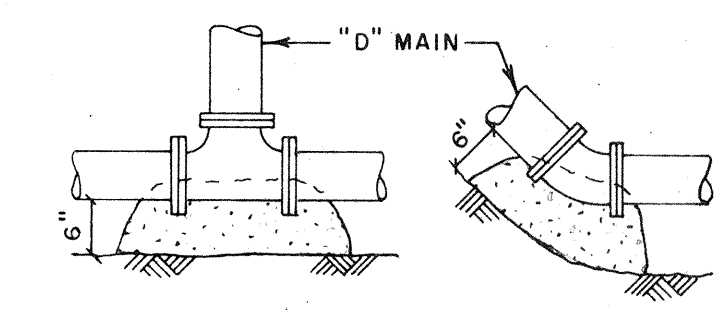
TYPICAL METERED SERVICE DETAILS
NO SCALE



VALVE DETAIL
NO SCALE



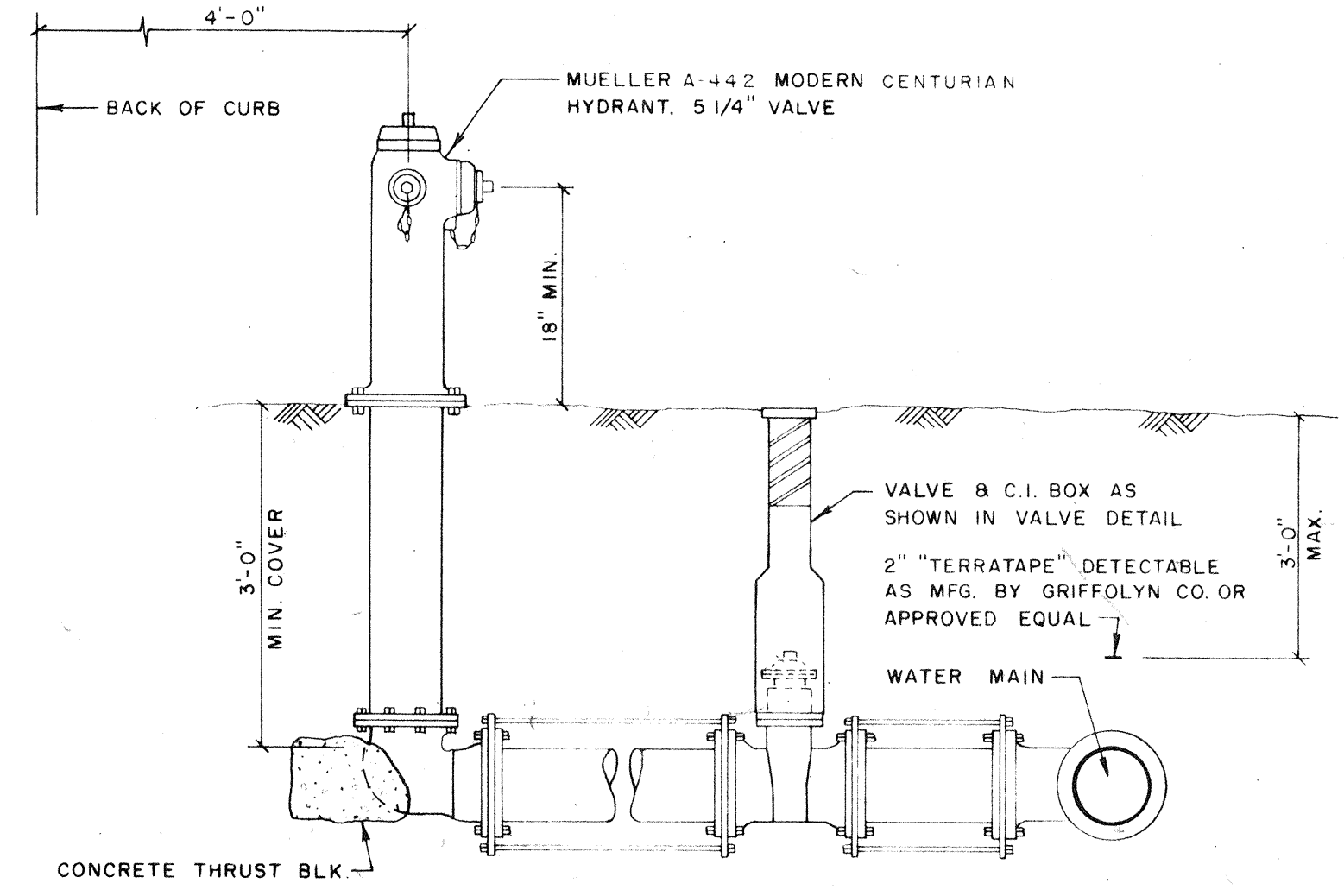
TYPICAL BLOWOFF DETAIL
NO SCALE



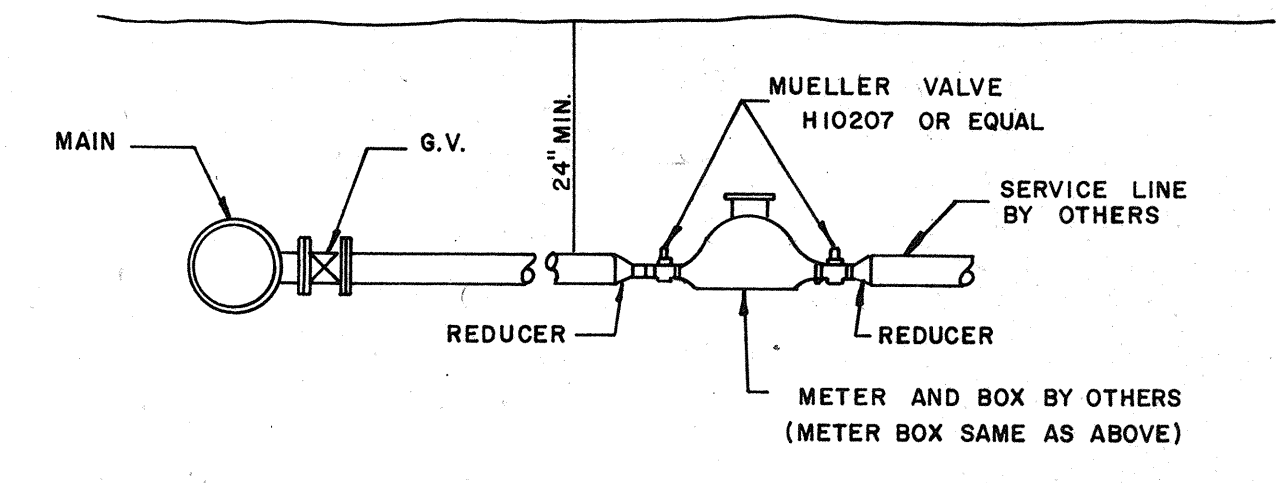
AREAS DETERMINED BY CONC. CONTACT WITH UNDISTURBED MATERIAL

| SIZE | THRUST BLOCK AREAS IN SQ. FT. | | | |
|------|-------------------------------|----------|----------|--------------|
| | TEE | 90° BEND | 45° BEND | 22 1/2° BEND |
| 4" | 1.5 | 2.0 | 1.0 | 1.0 |
| 6" | 4.0 | 5.5 | 3.0 | 1.5 |
| 8" | 7.0 | 10.0 | 5.0 | 3.0 |
| 10" | 10.0 | 14.0 | 7.0 | 5.0 |

WATER MAIN THRUST BLOCKS



TYPICAL FIRE HYDRANT DETAIL
NO SCALE



TYPICAL SERVICE DETAIL
NO SCALE

NOTE
1. ALL P.V.C. WATER MAIN SHALL BE COLOR CODED BLUE WITH CLASSIFICATION SDR-17, WITH 36" COVER AND DETECTABLE TAPE

FLORIDA

SARASOTA

BENNETT & BISHOP

CONSULTING ENGINEERS & SURVEYORS

APPROVED BY

[Signature]

| | | | | | |
|---------------|----------|--------|--------|-------|---------|
| DATE | SCALE | DESIGN | DRAWN | CHECK | APPROVE |
| APR. 17, 1988 | AS SHOWN | M.K. | R.A.B. | | |

SARASOTA CO., FLORIDA

ARVIDA CORPORATION
HARBOURSIDE CLUBHOUSE

WATER SUPPLY DETAILS

LONGBAT KEY

DRAWG. 19