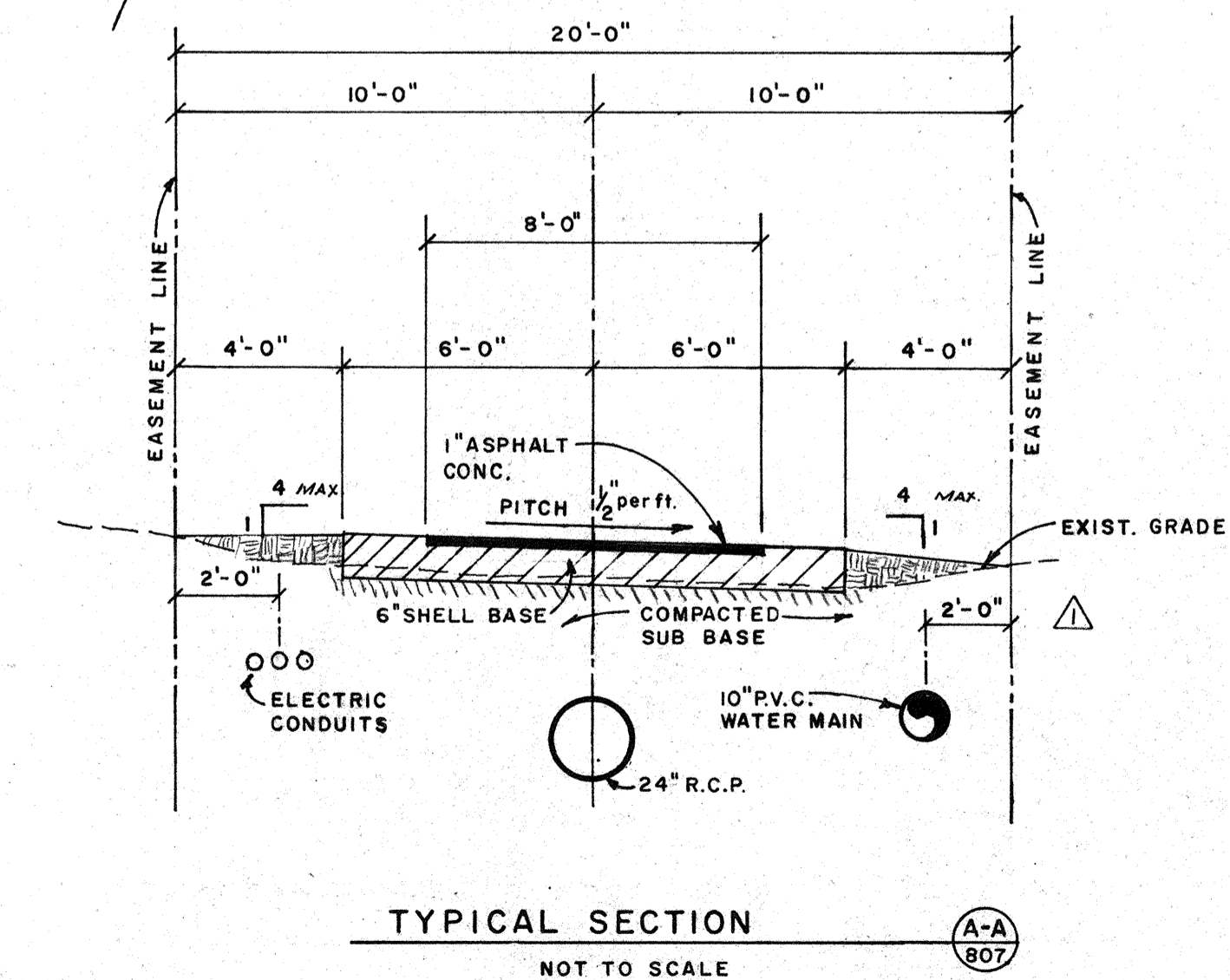
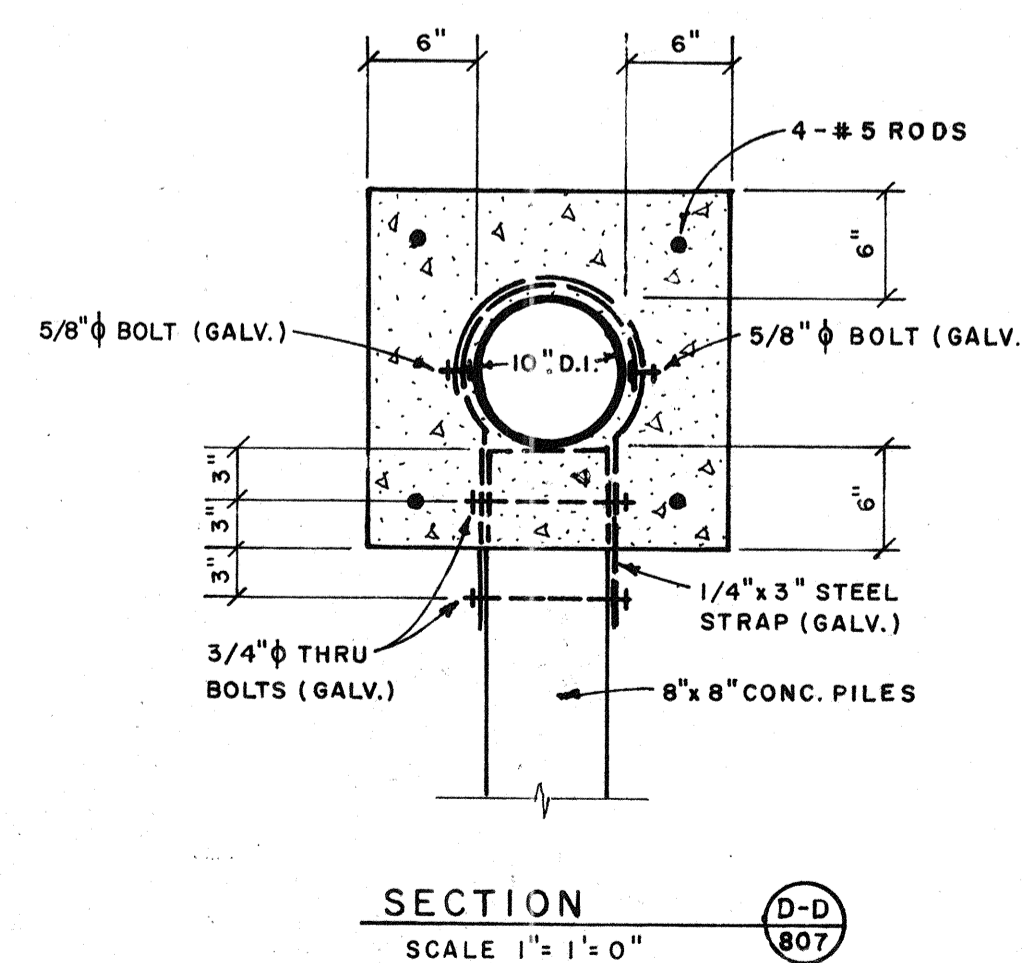
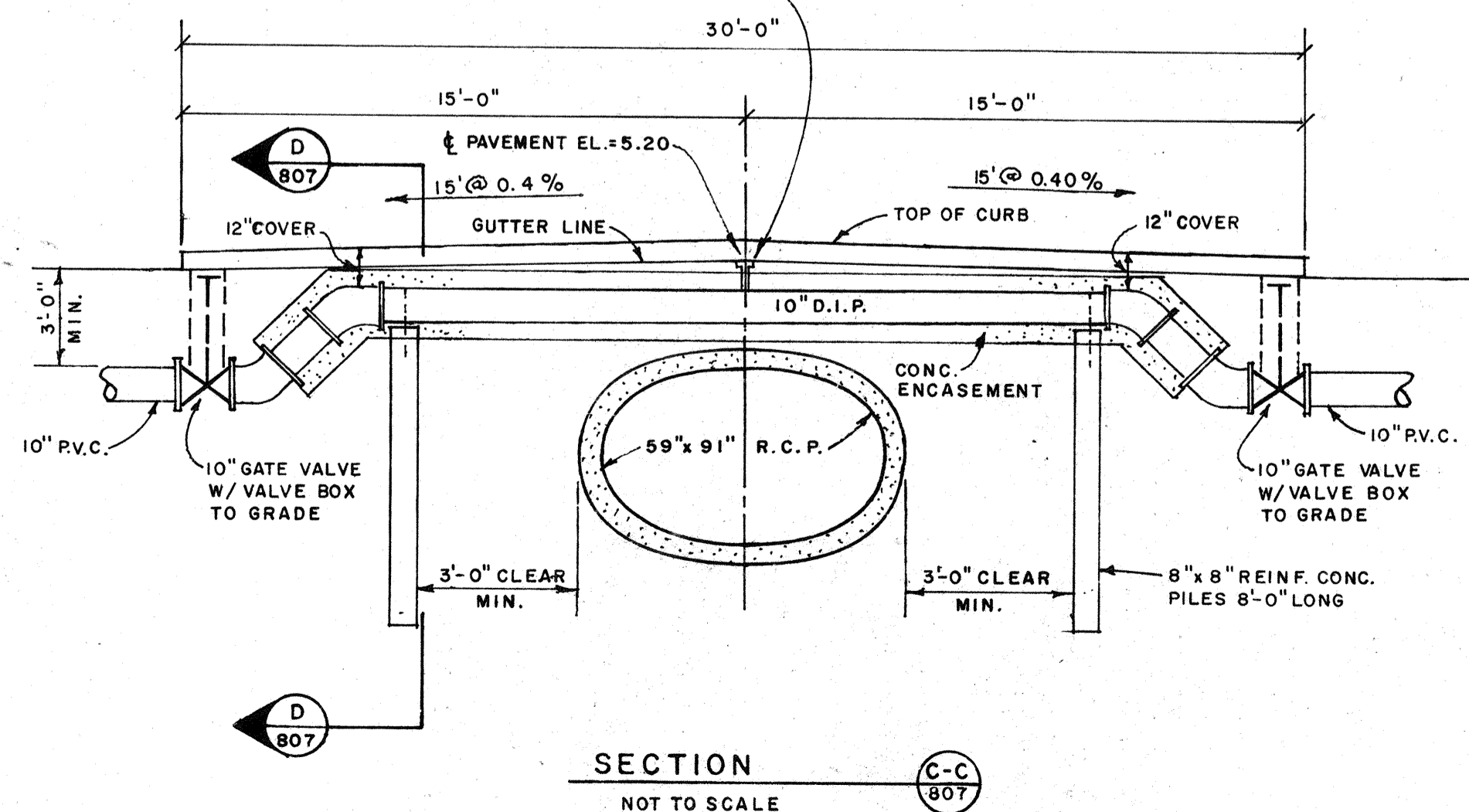


**NOTE:**  
 THE CONTRACTOR SHALL REMOVE ALL ORGANIC MATERIAL ENCOUNTERED WITHIN EASEMENT LIMITS OR AS DIRECTED BY THE ENGINEER, REPLACE WITH SUITABLE MATERIAL AND COMPACT TO 100% DENSITY PER AASHTO SPEC. T 180-57.

AIR RELEASE VALVE FOR WATER MAIN SHALL BE CRISPIN AIR VALVE, AS MANUFACTURED BY MULTIPLEX MANUFACTURING CO., BERWICK, PA. OR APPROVED EQUAL WITH "SCREWED INLET AND 3/16\"/>



**WATER MAIN RESTRAINT DETAIL**

**BENNETT & BISHOP**  
 CONSULTING ENGINEERS & SURVEYORS  
 SARASOTA, FLORIDA

DATE	SCALE	DESIGN	DRAWN	CHECK	APPROVED
3/8/85	1" = 40'	F.V.	N.A.L.		
4-3-85					

**ARVIDA CORPORATION**  
 FAIR OAKS LANE EXTENSION  
 UTILITY & EMERGENCY VEHICLE - BIKE PATH EASEMENT