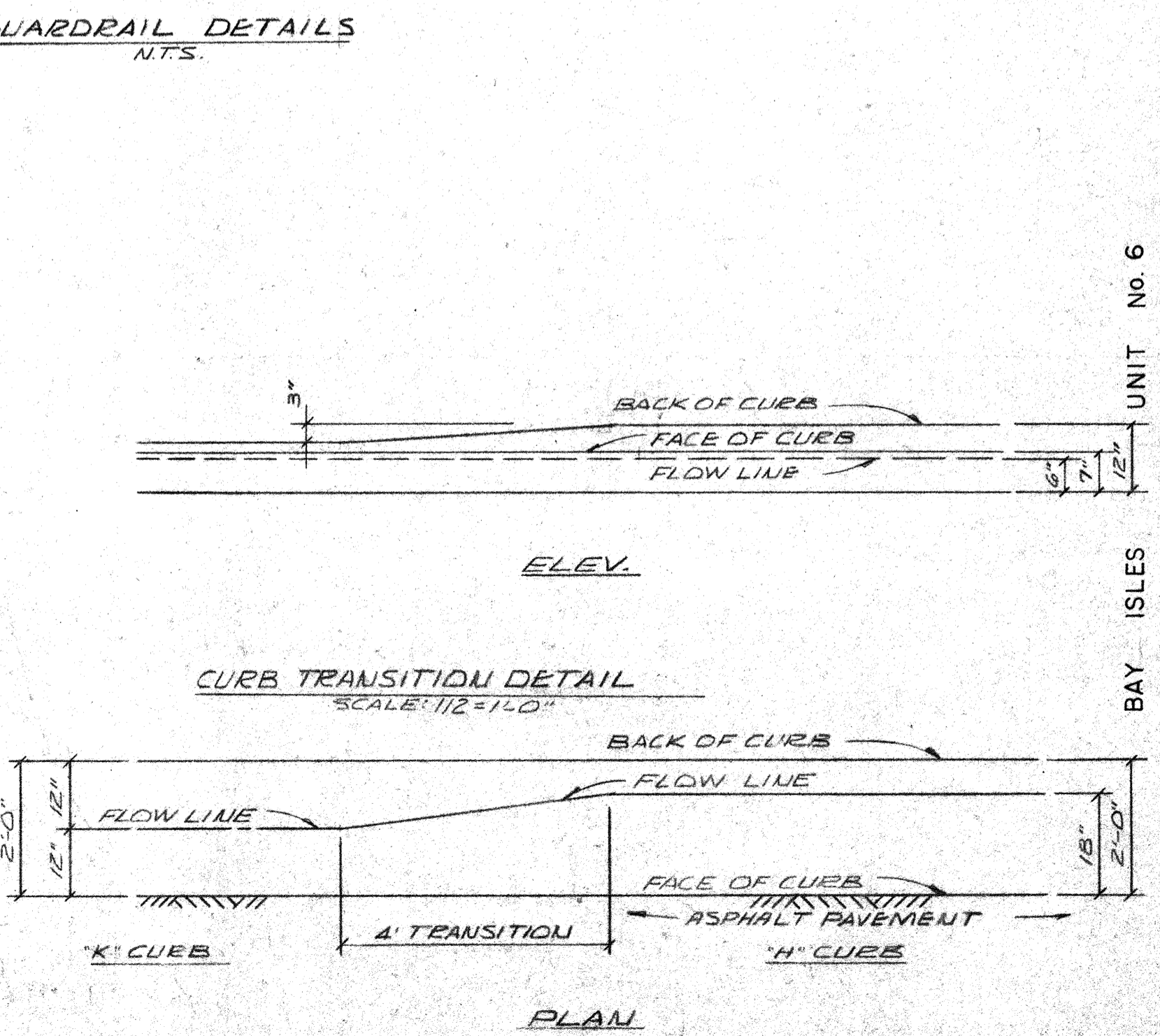
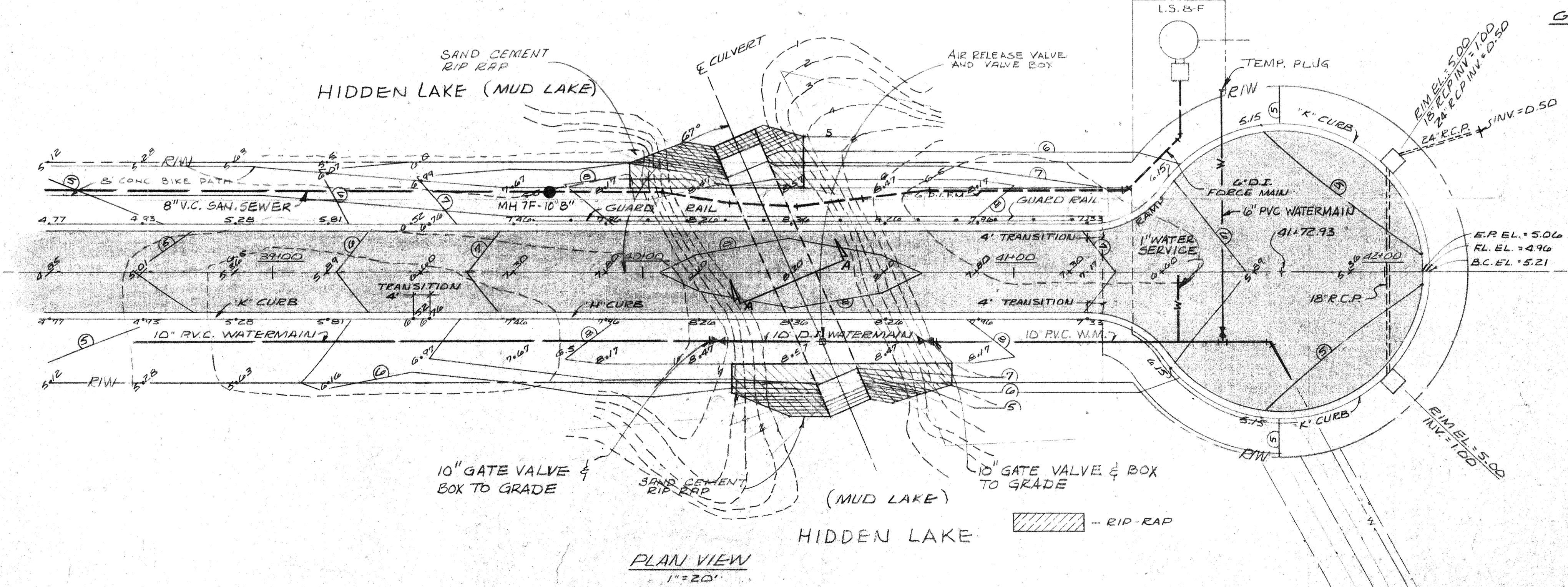
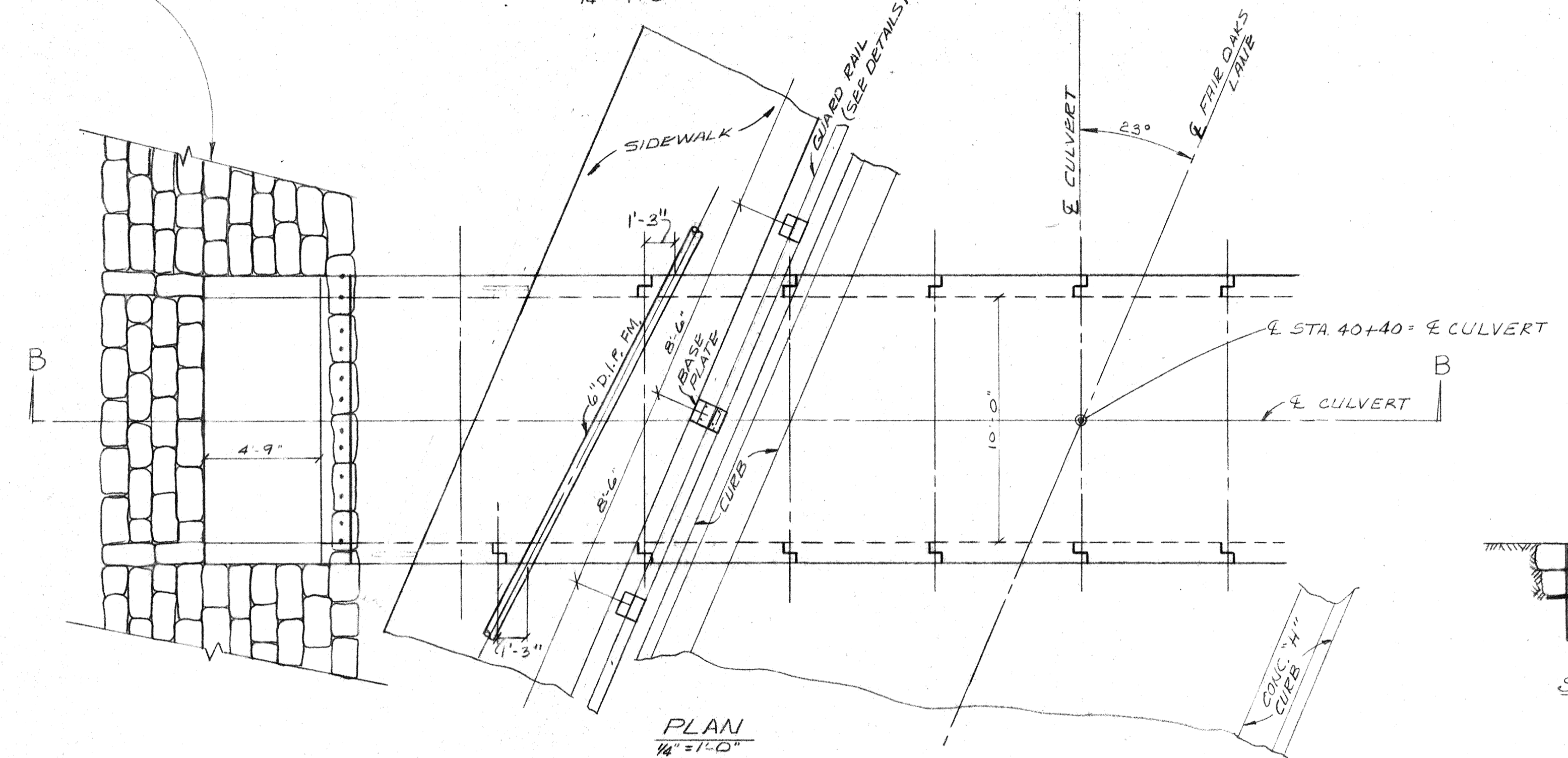
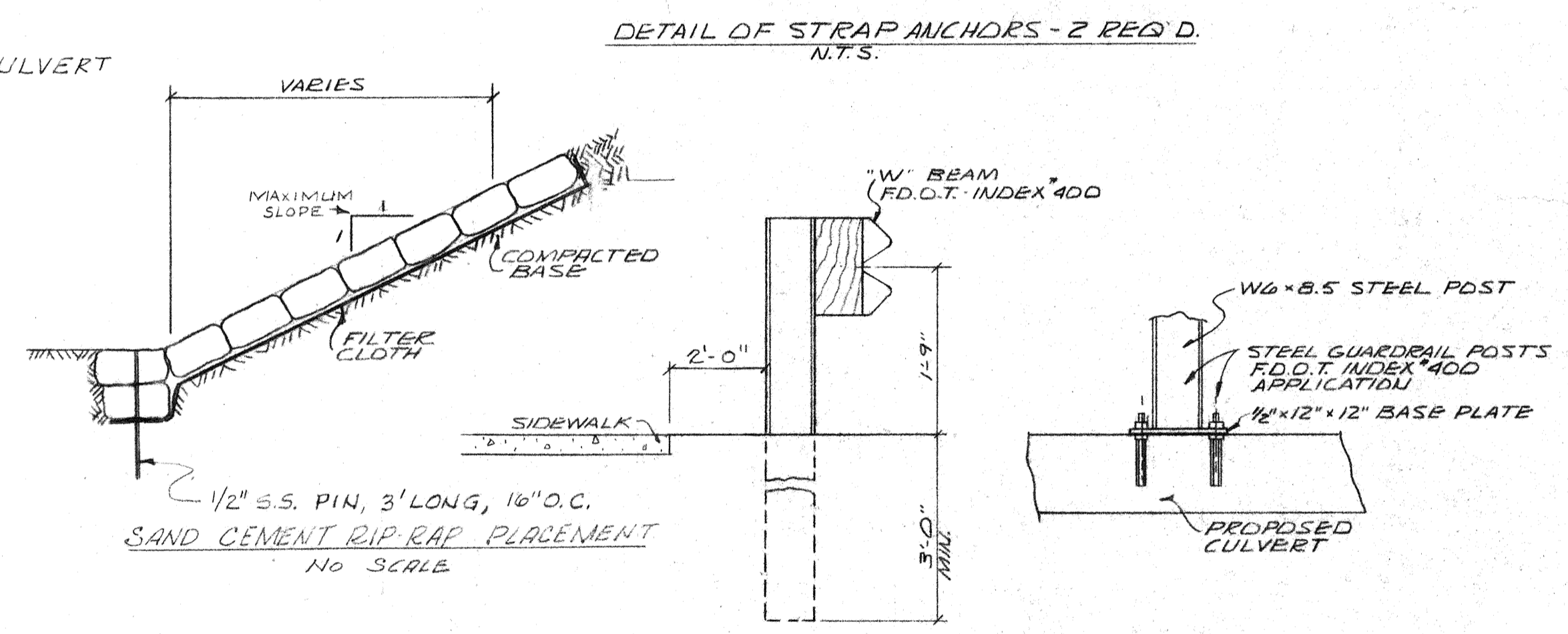
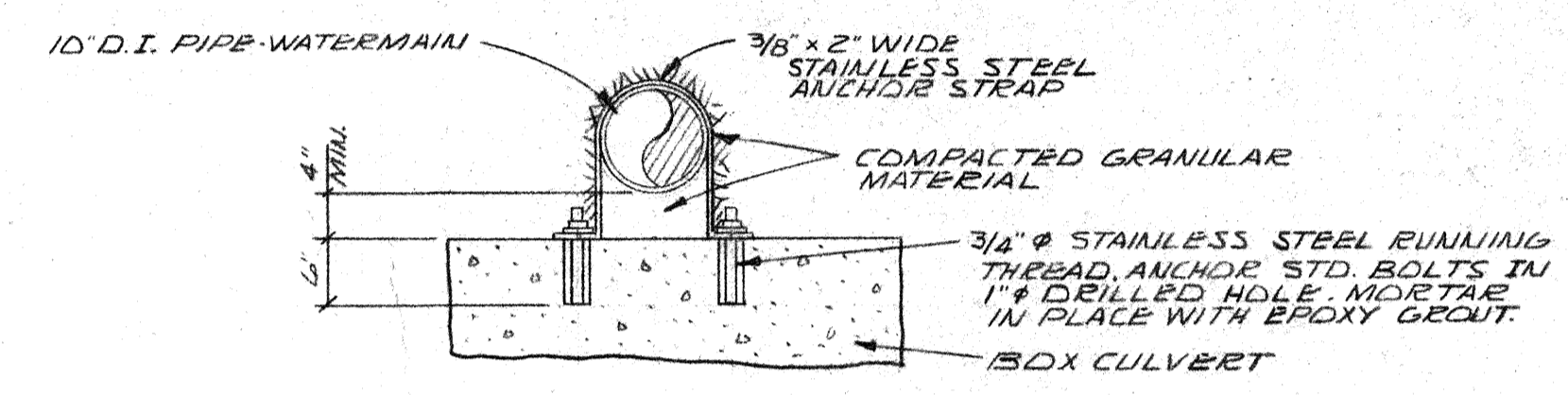
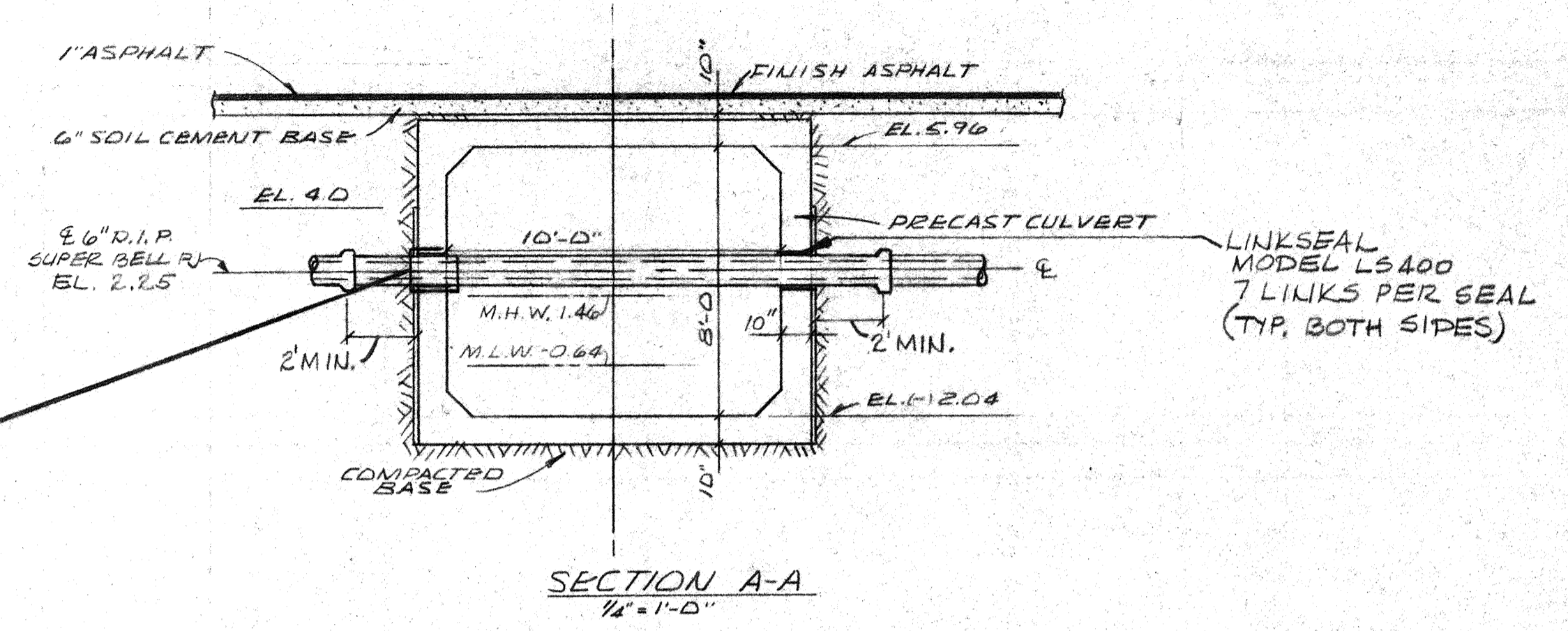
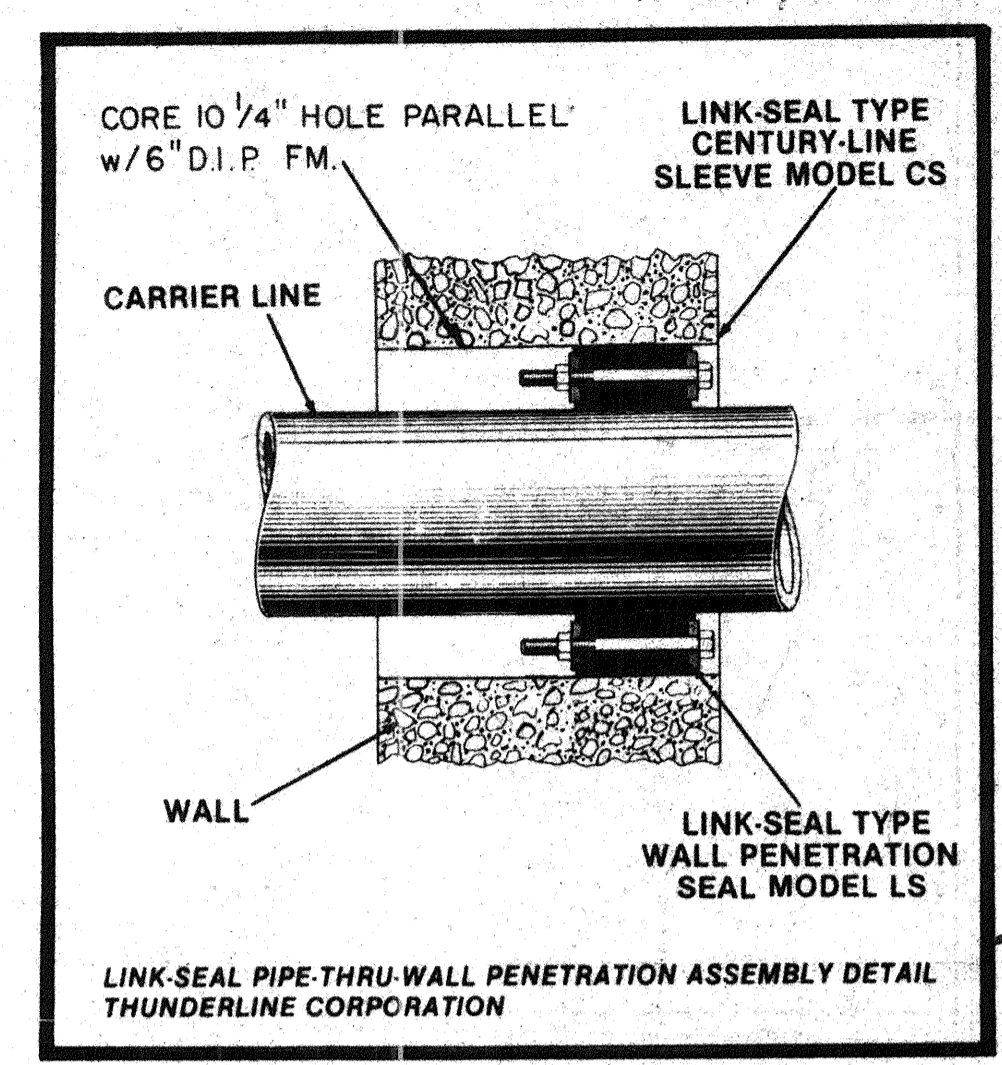
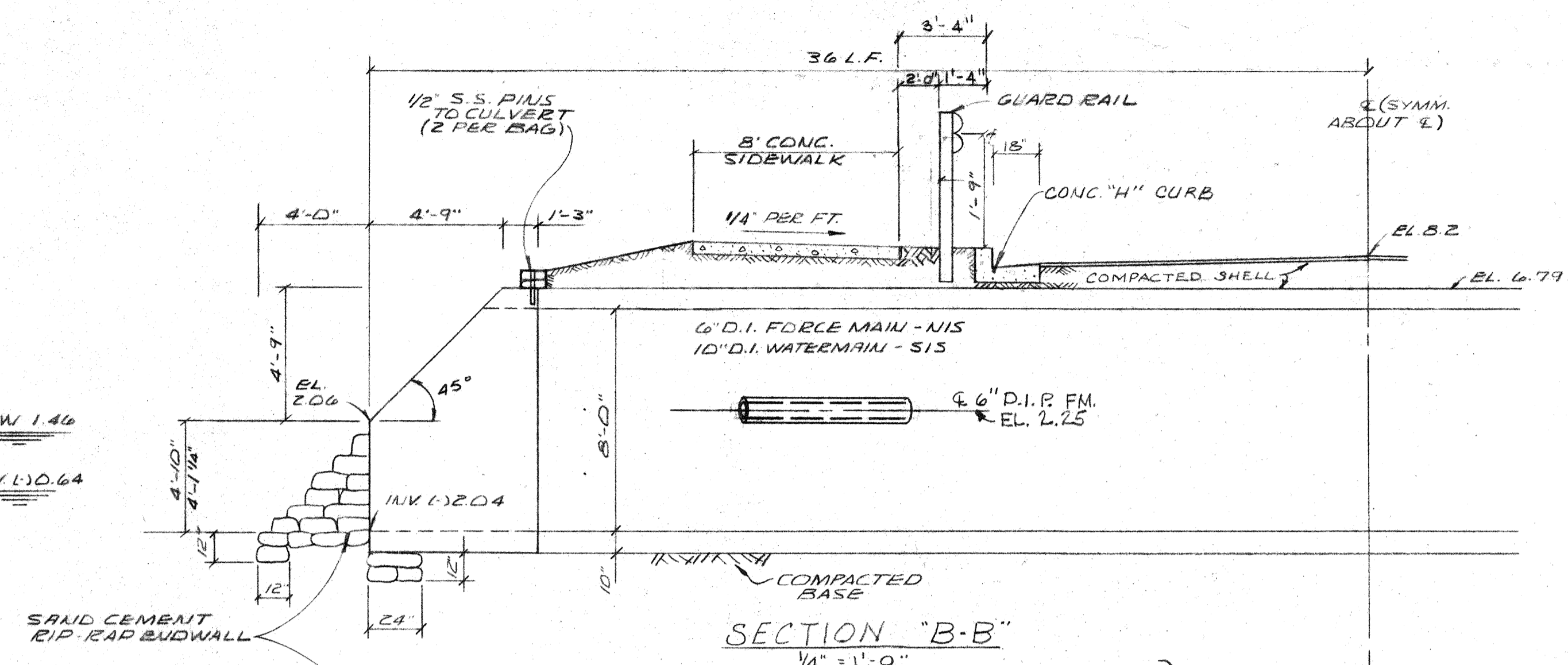


M.H.W. 1.46
M.H.W. 1.00.64



BENNETT & BISHOP
CONSULTING ENGINEERS & SURVEYORS
FLORIDA
SARASOTA

| DATE | SCALE | DESIGN | DRAWN | CHECK | APPROVED | DESCRIPTION |
|---------|-------|--------|-------|-------|----------|--------------------|
| 4/20/05 | F.V. | | | | | REV. PER TO L.B.K. |
| 4/13/05 | F.V. | | | | | ADD W/4\"/> |
| 9/14/05 | F.V. | | | | | REV. PLAN VIEW |

ARVIDA CORPORATION
FAIR OAKS LANE EXTENSION
SARASOTA, FL
PAVING & DRAINAGE DETAILS, BOX CULVERT