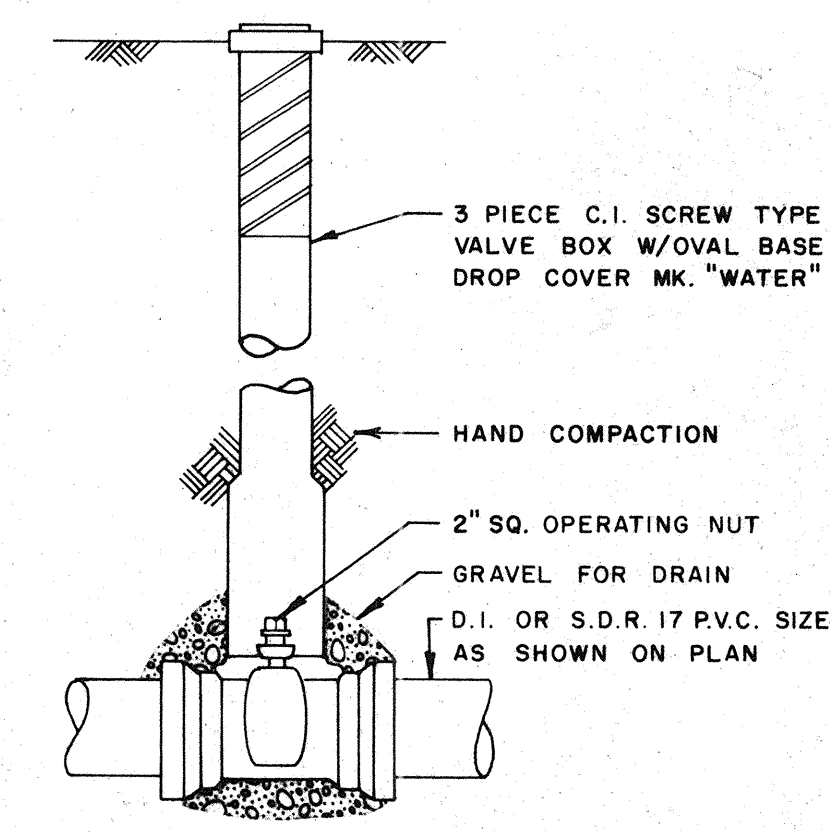
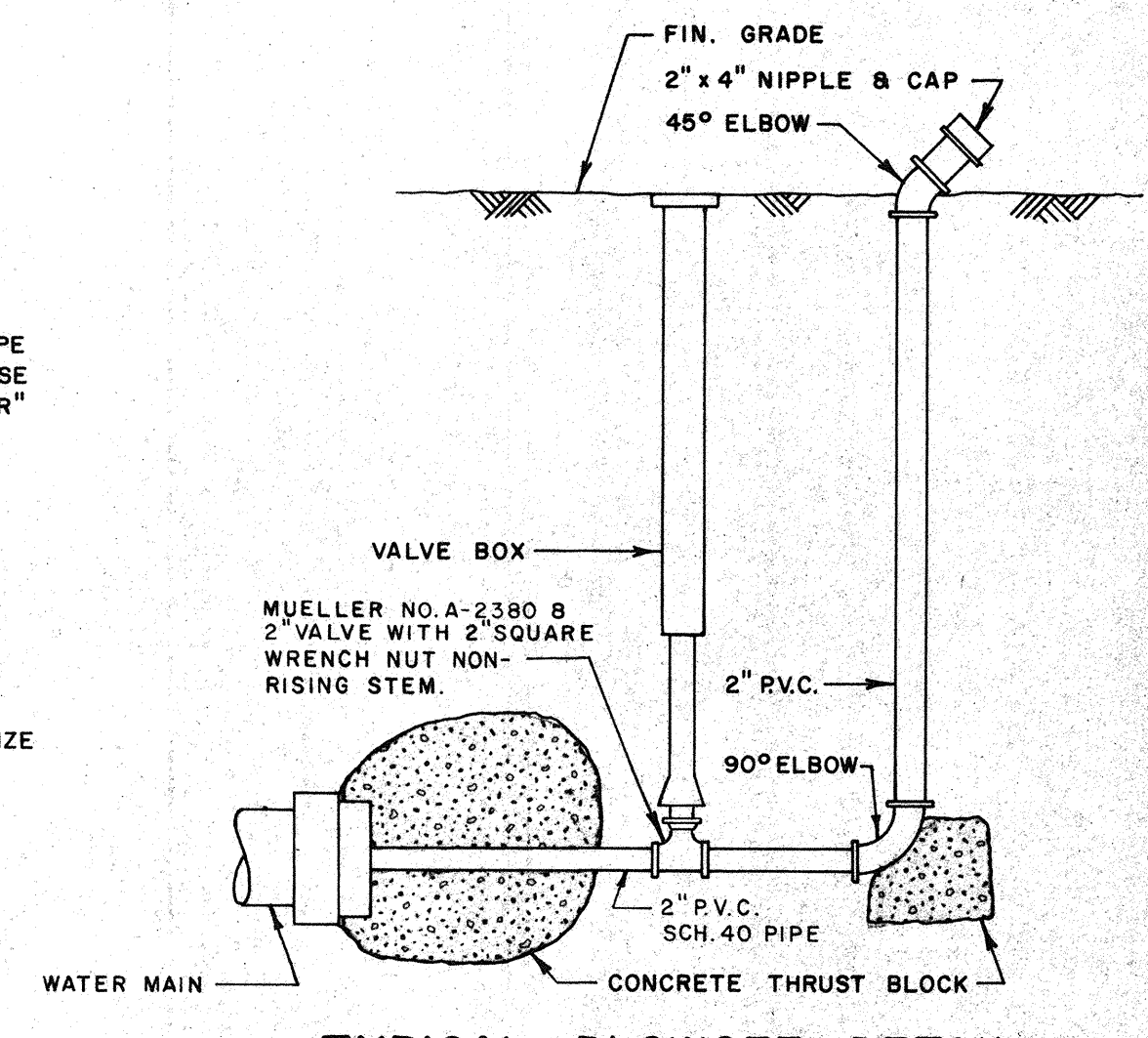


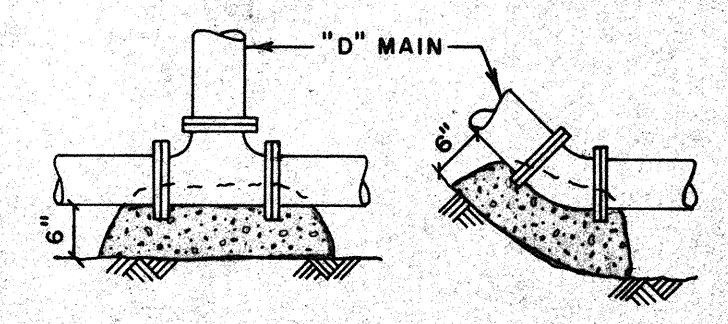
TYPICAL METERED SERVICE DETAILS
NO SCALE



VALVE DETAIL
NO SCALE



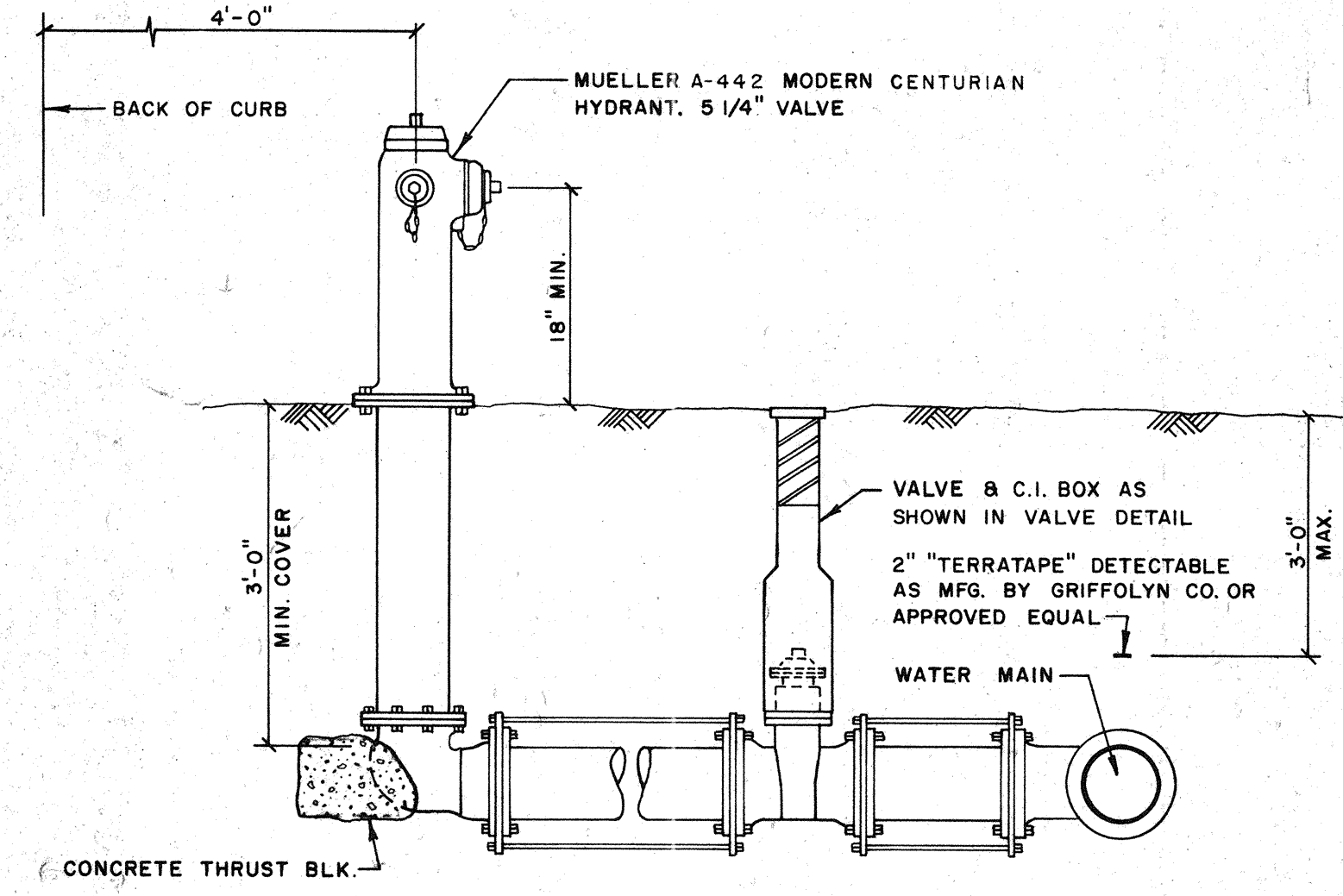
TYPICAL BLOWOFF DETAIL
NO SCALE



AREAS DETERMINED BY CONC. CONTACT WITH UNDISTURBED MATERIAL

THRUST BLOCK AREAS IN SQ. FT.				
SIZE	TEE	90° BEND	45° BEND	22 1/2° BEND
4"	1.5	2.0	1.0	1.0
6"	4.0	5.5	3.0	1.5
8"	7.0	10.0	5.0	3.0
10"	10.0	14.0	7.0	5.0

WATER MAIN THRUST BLOCKS



TYPICAL FIRE HYDRANT DETAIL
NO SCALE

NOTE:
1. ALL P.V.C. WATER MAIN SHALL BE COLOR CODED BLUE WITH CLASSIFICATION SDR-17, WITH 36" COVER AND DETECTABLE TAPE.

BENDING RADIUS

PIPE SIZE	OUTSIDE DIAMETER	SDR/CLASS	MINIMUM RADIUS
4" PVC	4.80"	18/150	120 Ft.
6" PVC	6.90"	18/150	173 Ft.
8" PVC	9.50"	18/150	238 Ft.
10" PVC	11.10"	18/150	278 Ft.
12" PVC	13.20"	18/150	330 Ft.

BAY ISLES UNIT No. 6

ARVIDA CORPORATION
FAIR OAKS LANE EXTENSION
WATER SUPPLY DETAILS

BENNETT & BISHOP
CONSULTING ENGINEERS & SURVEYORS
SARASOTA, FLORIDA

William J. Bishop
APPROVED BY

DATE	SCALE	AS SHOWN	DESIGN	DRAWN	CHECK	APPROVED	REVISION	DATE	BY	DESCRIPTION