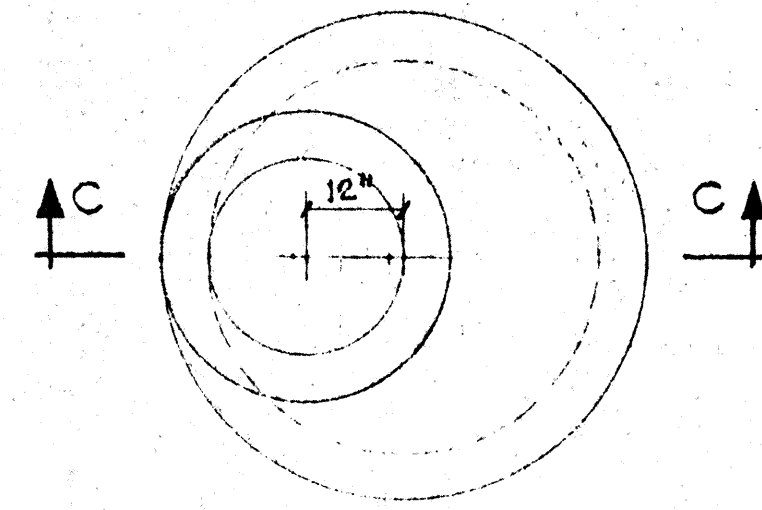
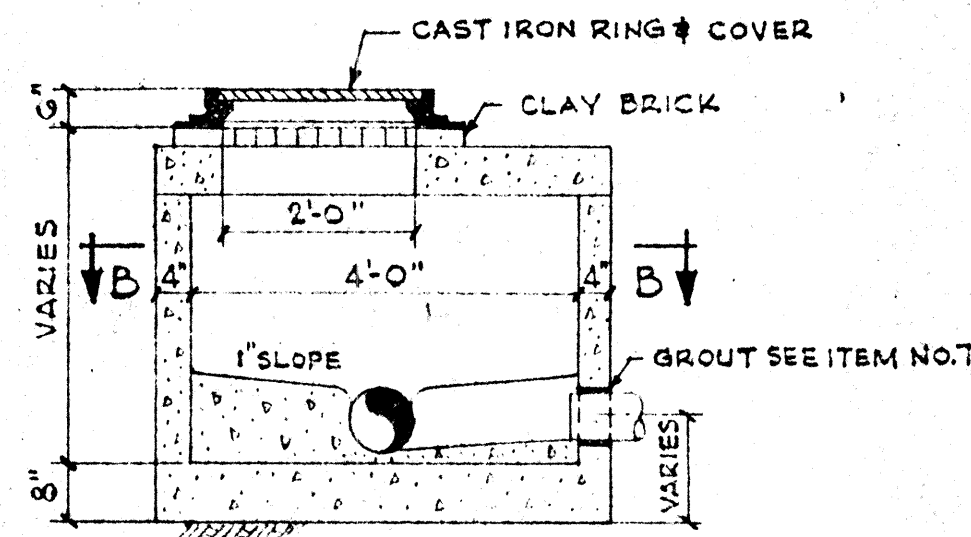


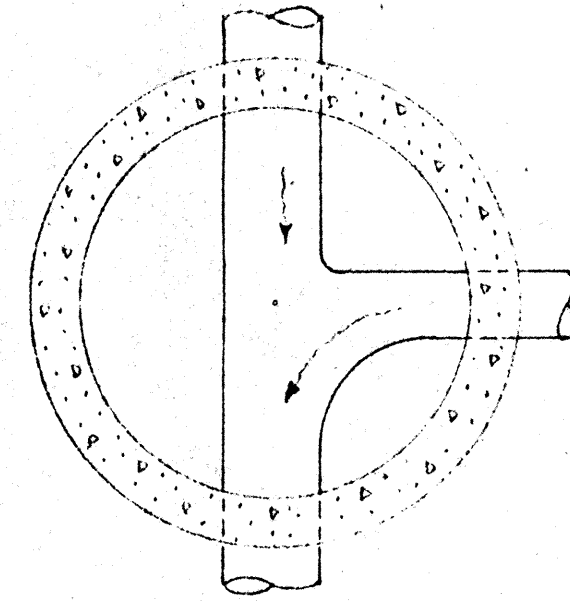
PLAN



PLAN

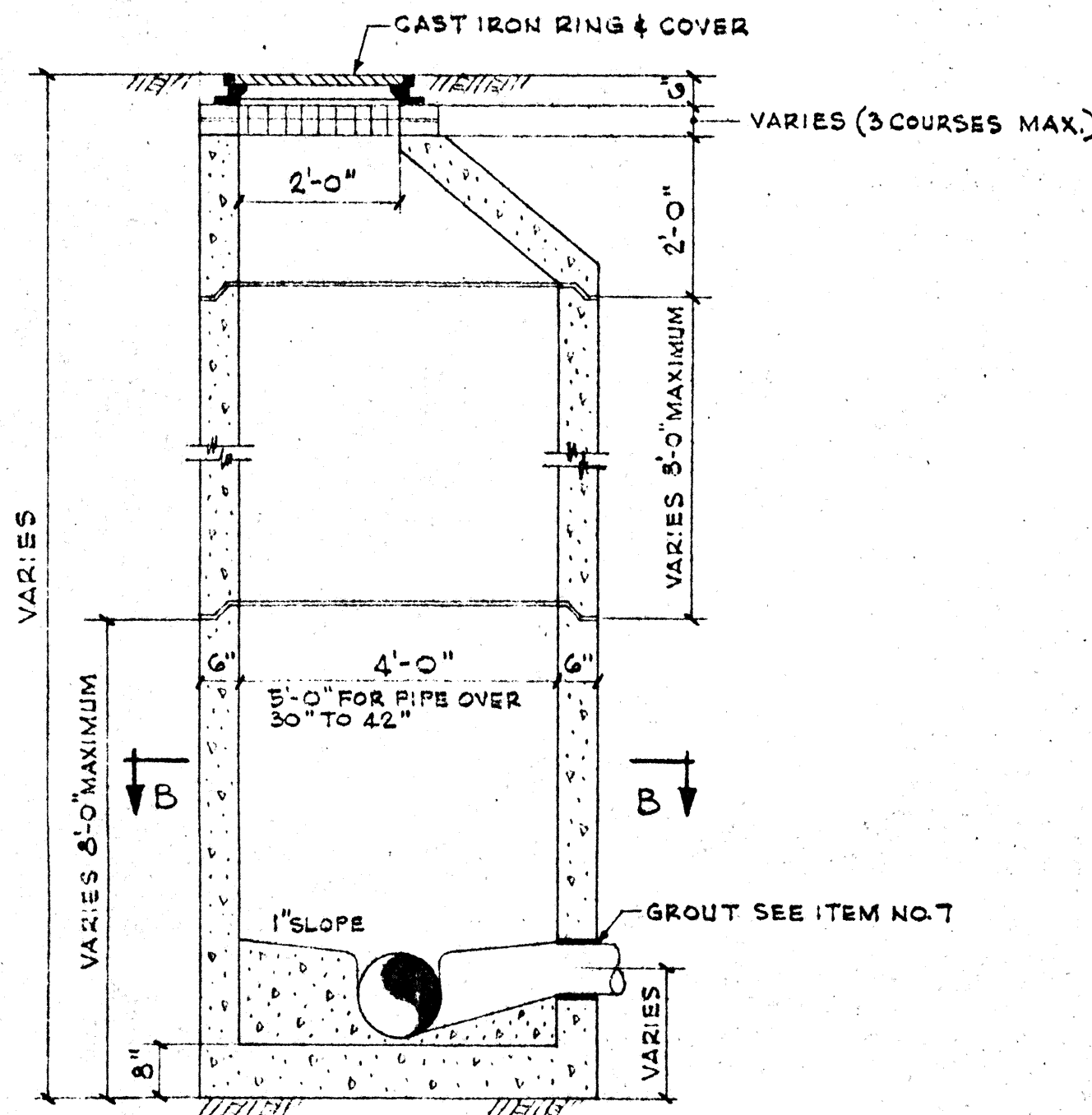


SECTION A-A



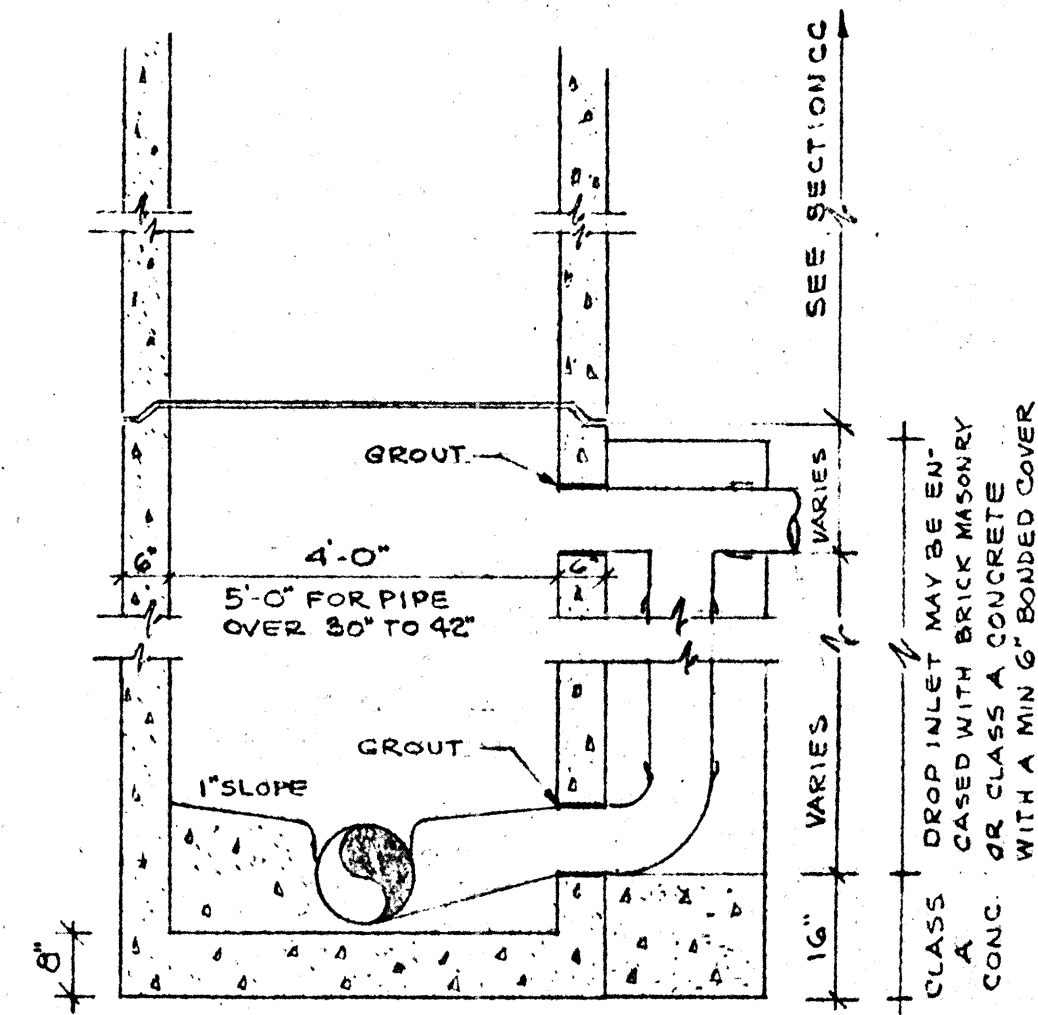
SECTION B-B

FOR DEPTHS 5'-0" & UNDER



SECTION C-C

FOR DEPTHS OVER 5'-0"

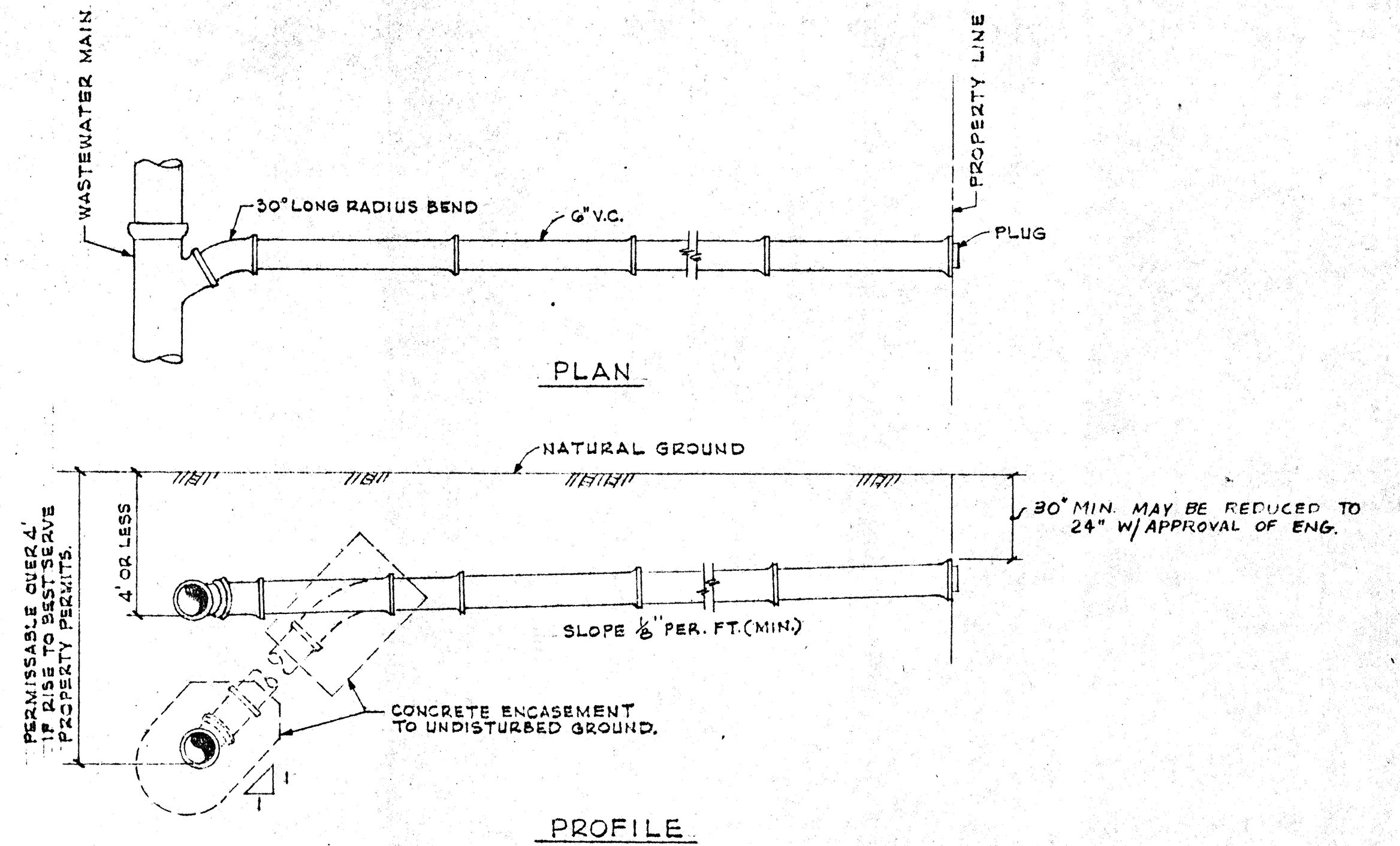


SECTION

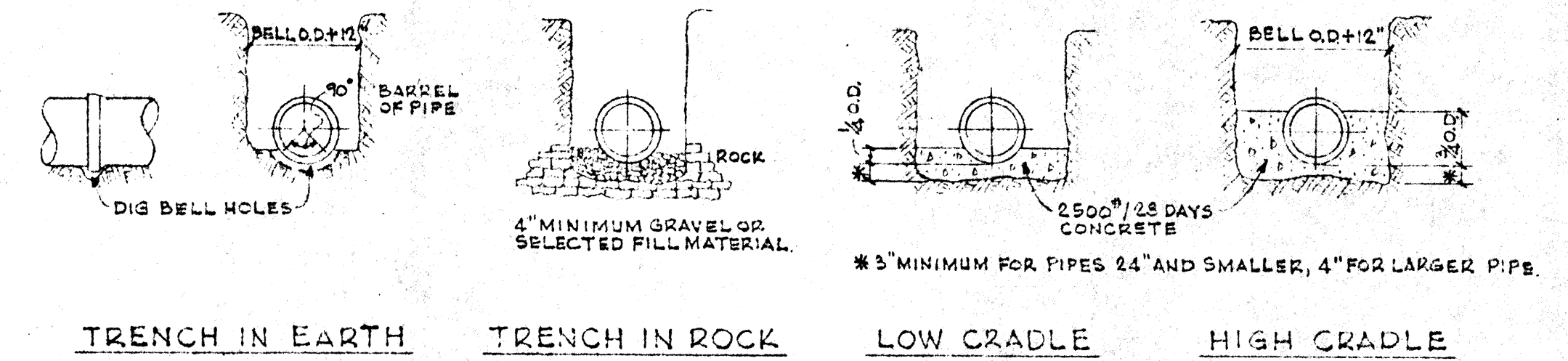
DROP MAN HOLE

MANHOLE SPECIFICATIONS

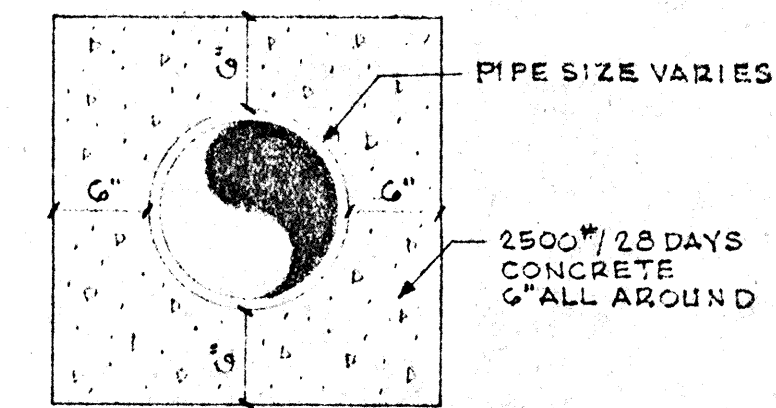
1. MANHOLES SHALL COMPLY WITH A.S.T.M. SPECIFICATION C-47B, LATEST REVISION, "PRECAST REINFORCED CONCRETE MANHOLE SECTIONS."
2. CONCRETE SHALL BE 4,000 P.S.I./28 DAY MINIMUM STRENGTH, WITH TYPE II CEMENT.
3. HEAVY DUTY MANHOLE RING (4" HIGH) AND COVER SHALL BE TYPE B (DWS. NO. 24) WITH FRAME (200 LB.) AND COVER (130 LB.) WITH BLIND PICKHOLE, AS MANUFACTURED BY U.S. FOUNDARY CORP., MIAMI, FLA., OR APPROVED EQUAL.
4. REINFORCING PER A.S.T.M. SPEC. C-47B, LATEST REV.
5. LEVELING BRICKS TO BE CLAY ; MORTAR TO BE 2 PARTS CLEAN SAND AND 1 PART CEMENT WITH NO MORE THAN 1/4 PART HYDRATED LIME, WITH JOINTS FULL & STRUCK FLUSH.
6. NO STEPS SHALL BE USED.
7. COMPLETELY FILL SPACE BETWEEN PIPES AND MANHOLE WALL WITH CEMENT MORTAR AFTER PIPE IS SET WITH 15 LB. EMBECO PER 100 LB. CEMENT.



TYPICAL SERVICE CONNECTION



TYPICAL EXCAVATION & PIPE SETTINGS



CONCRETE ENCASEMENT

GENERAL NOTES:

1. WHERE WATER & WASTEWATER MAINS CROSS WITH LESS THAN 12" VERTICAL CLEARANCE, THE WASTEWATER PIPE SHALL BE OF EITHER CAST IRON OR CONCRETE ENCASED VITRIFIED CLAY, (20" MIN.) CENTERED ON THE POINT OF CROSSING.
2. PARALLEL WATER & WASTEWATER MAINS SHALL MAINTAIN A HORIZONTAL SEPARATION OF AT LEAST 12" WHERE PRACTICAL.

DATE	7/19/75	AS NOTED	
SCALE		DESIGN	
DRAWN		CHECK	
APPROVED		DATE	