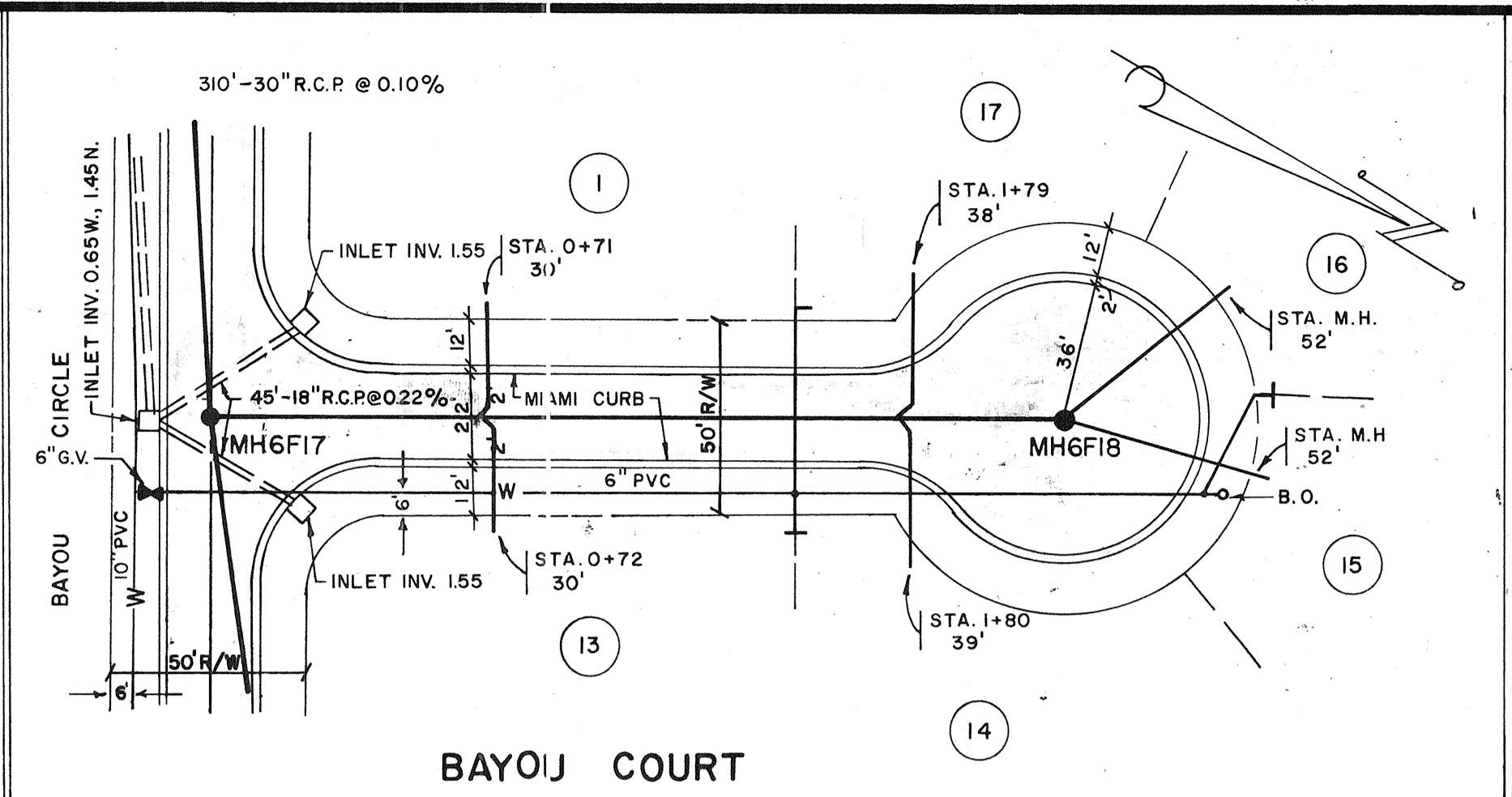
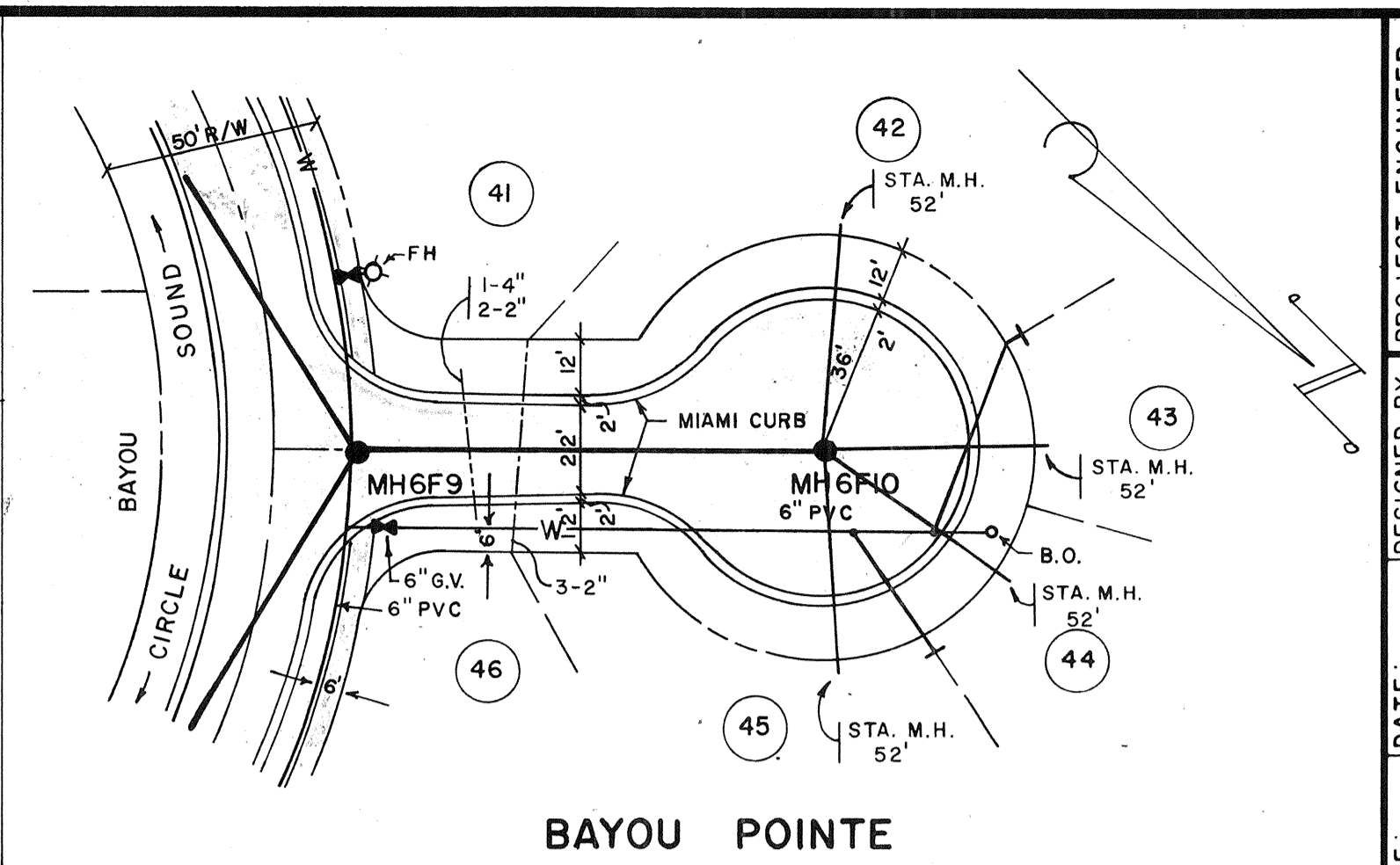


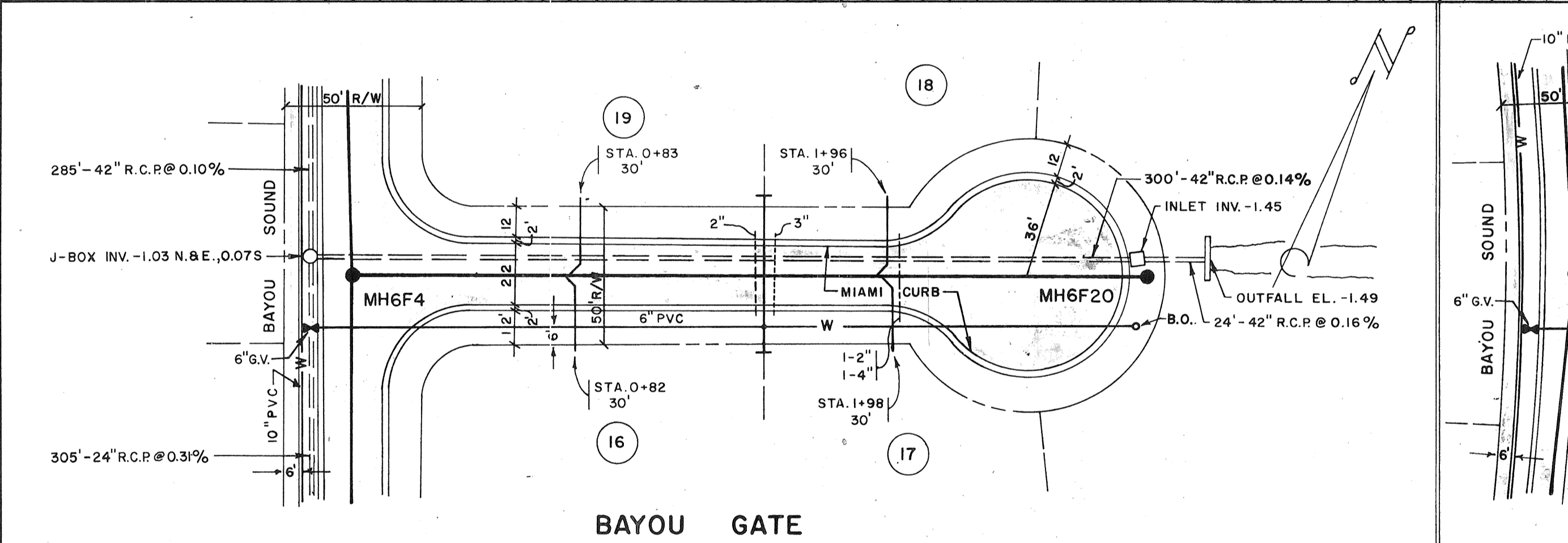
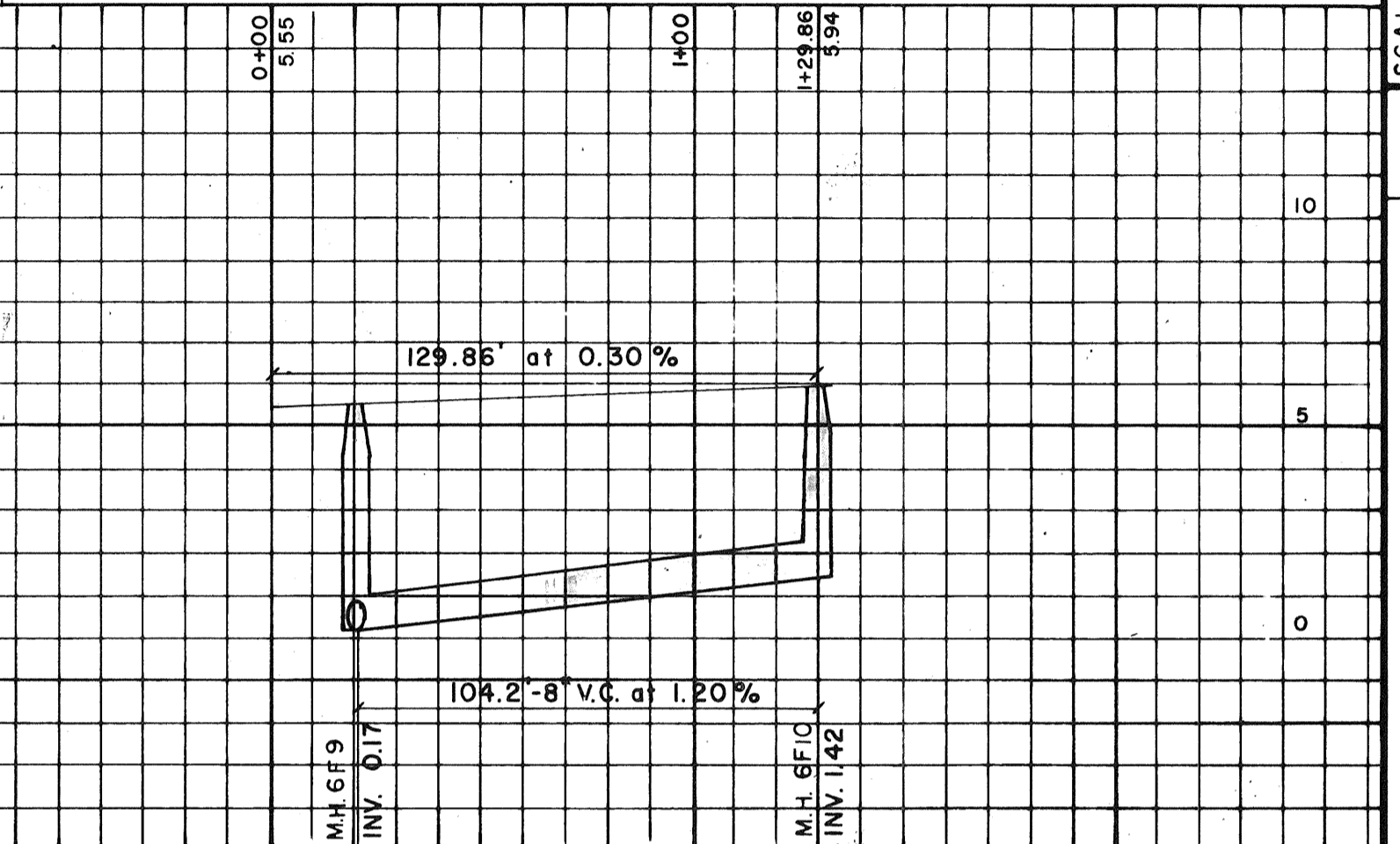
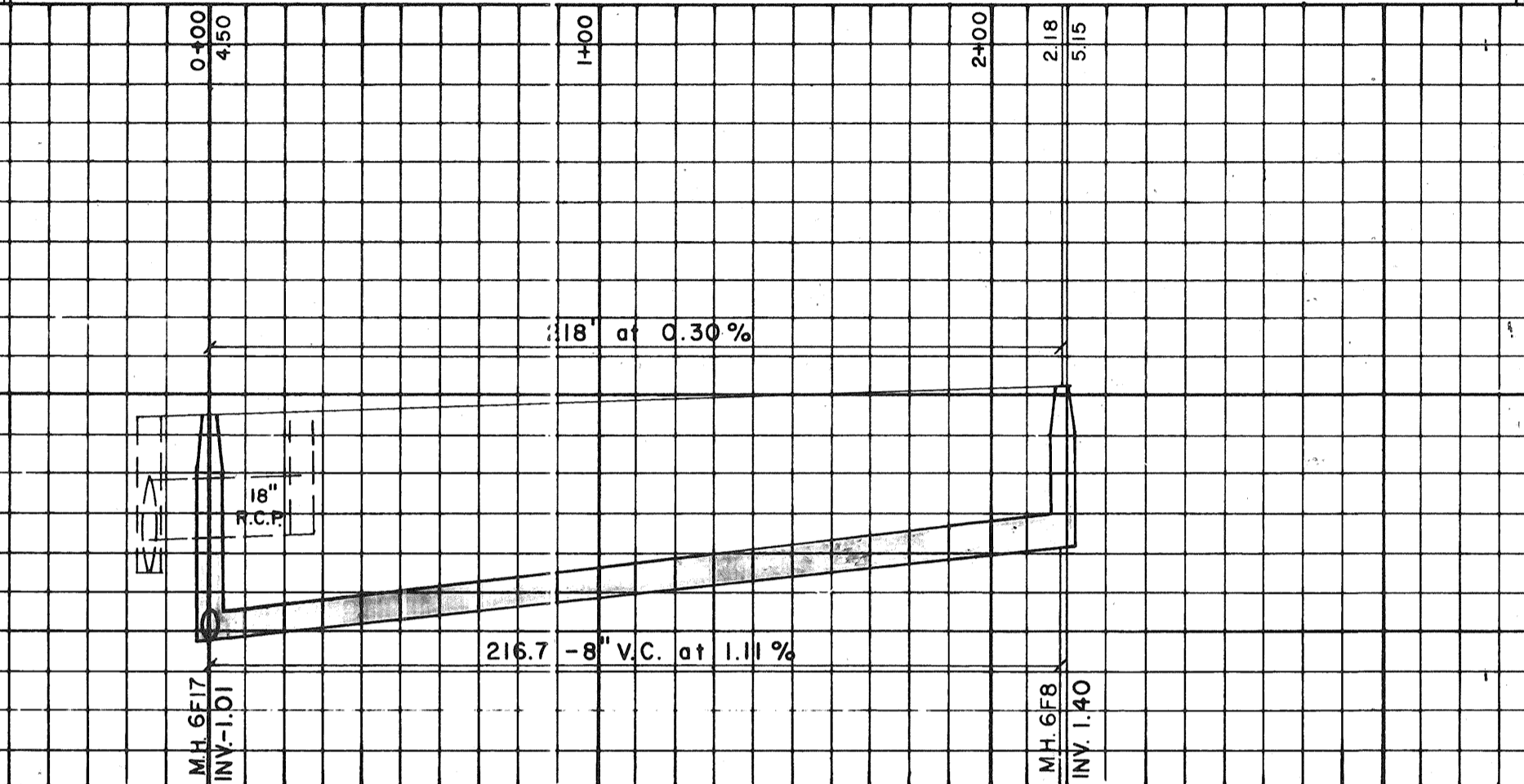
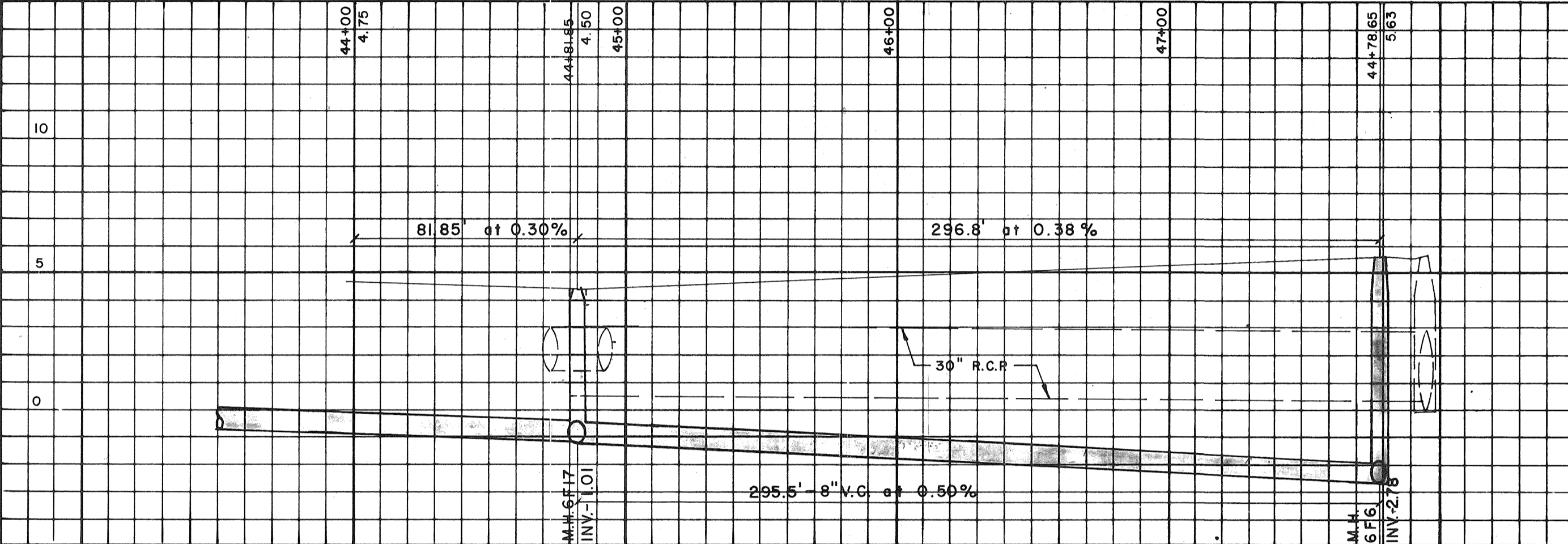
BAYOU CIRCLE



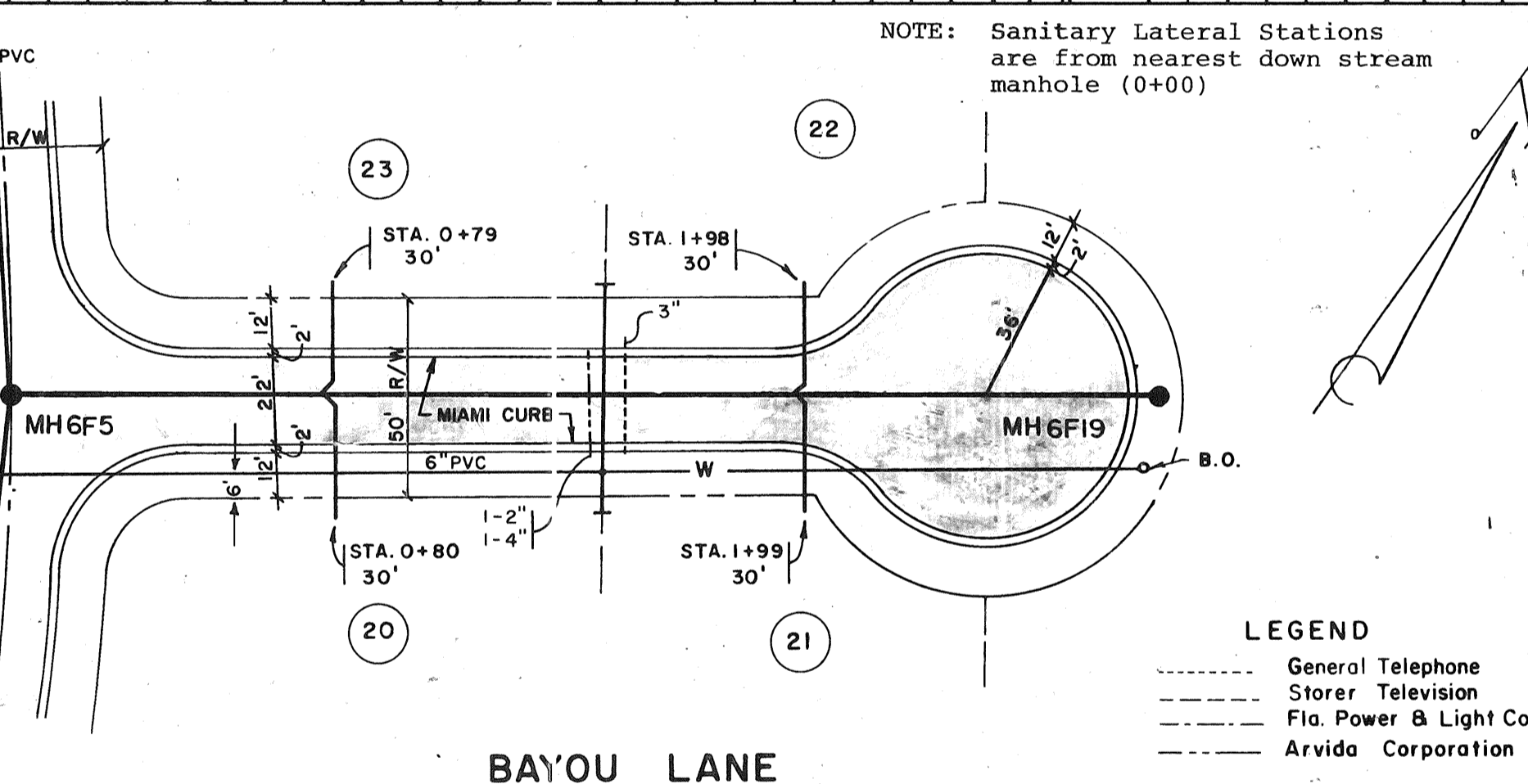
BAYOU COURT



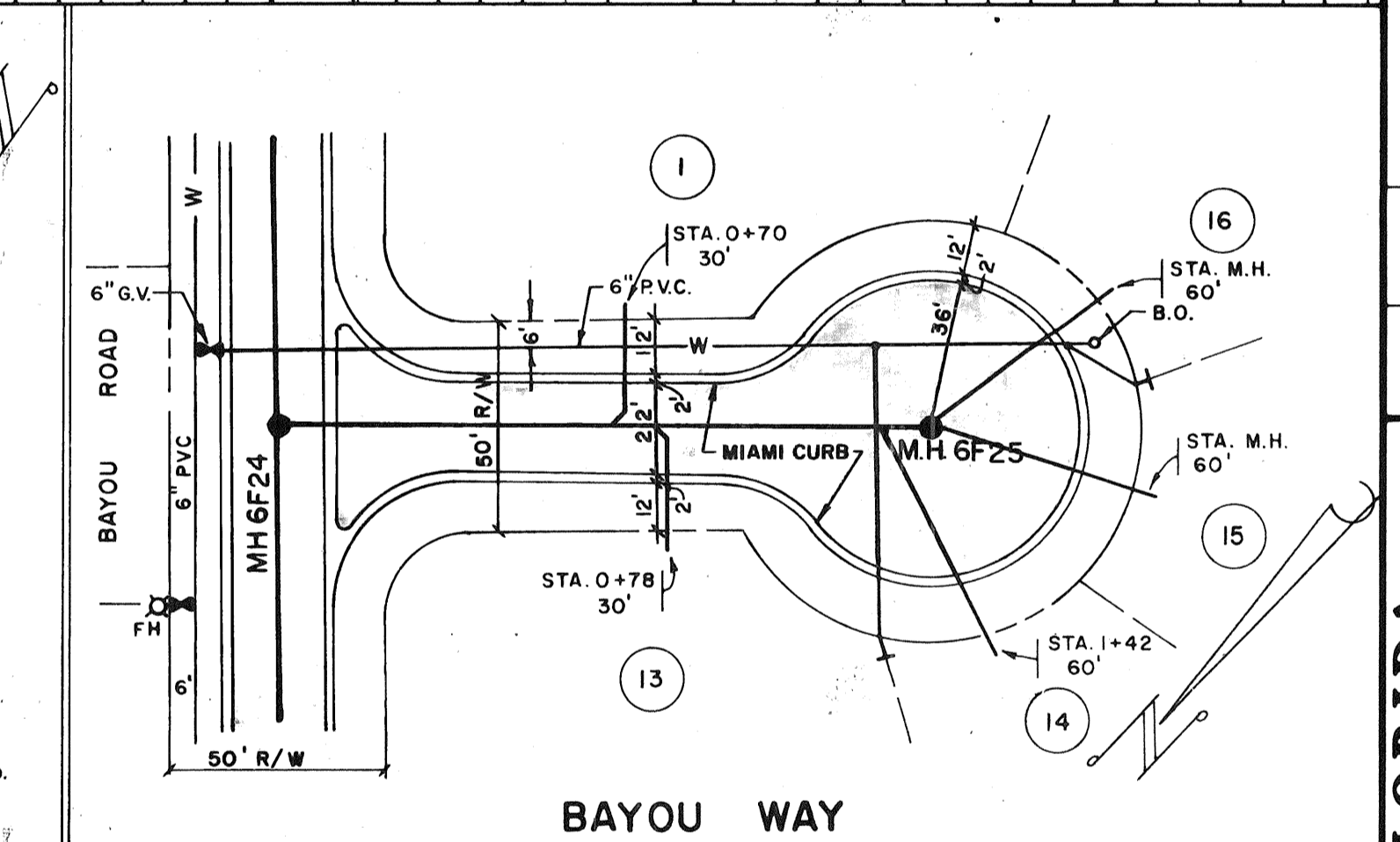
BAYOU POINTE



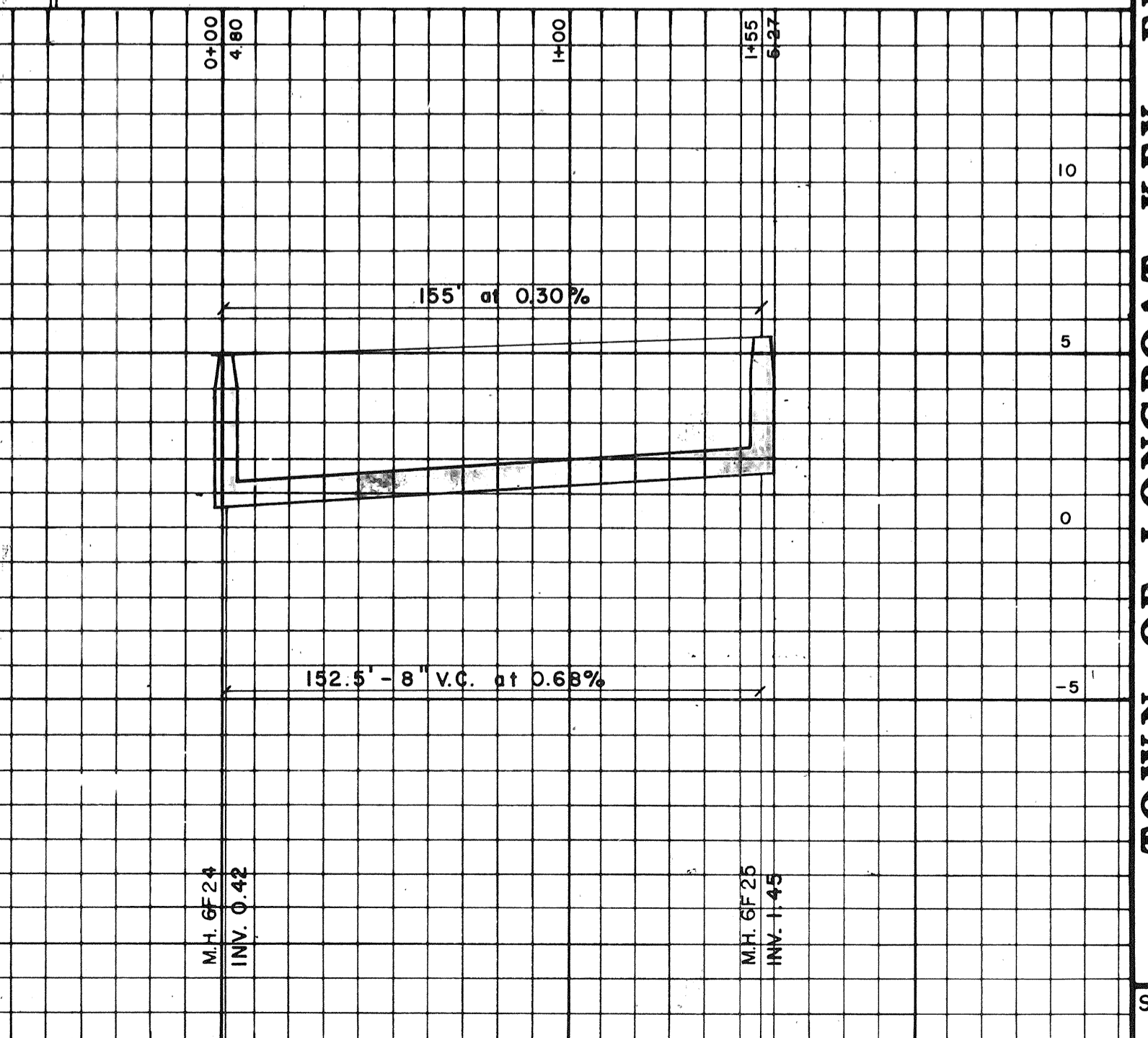
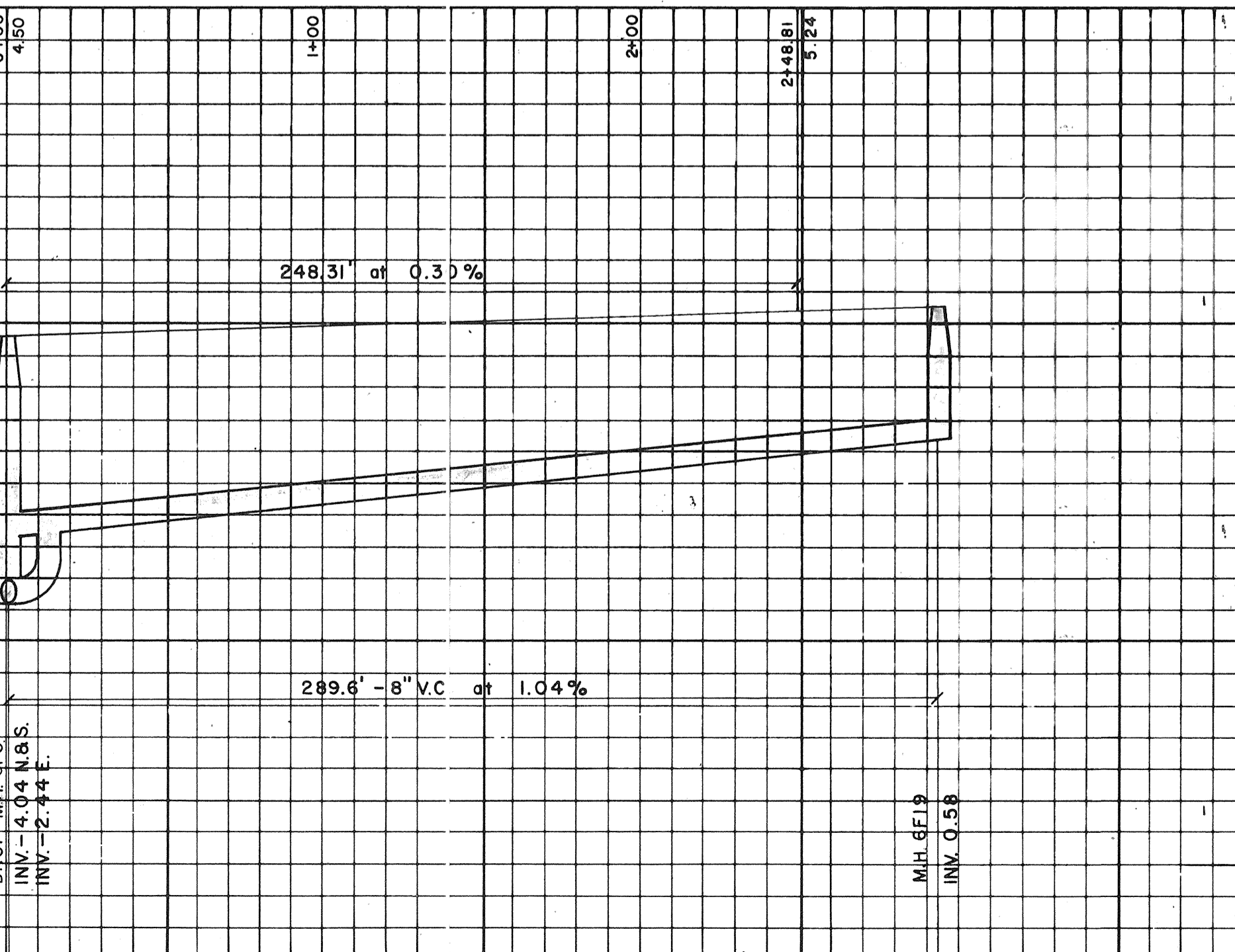
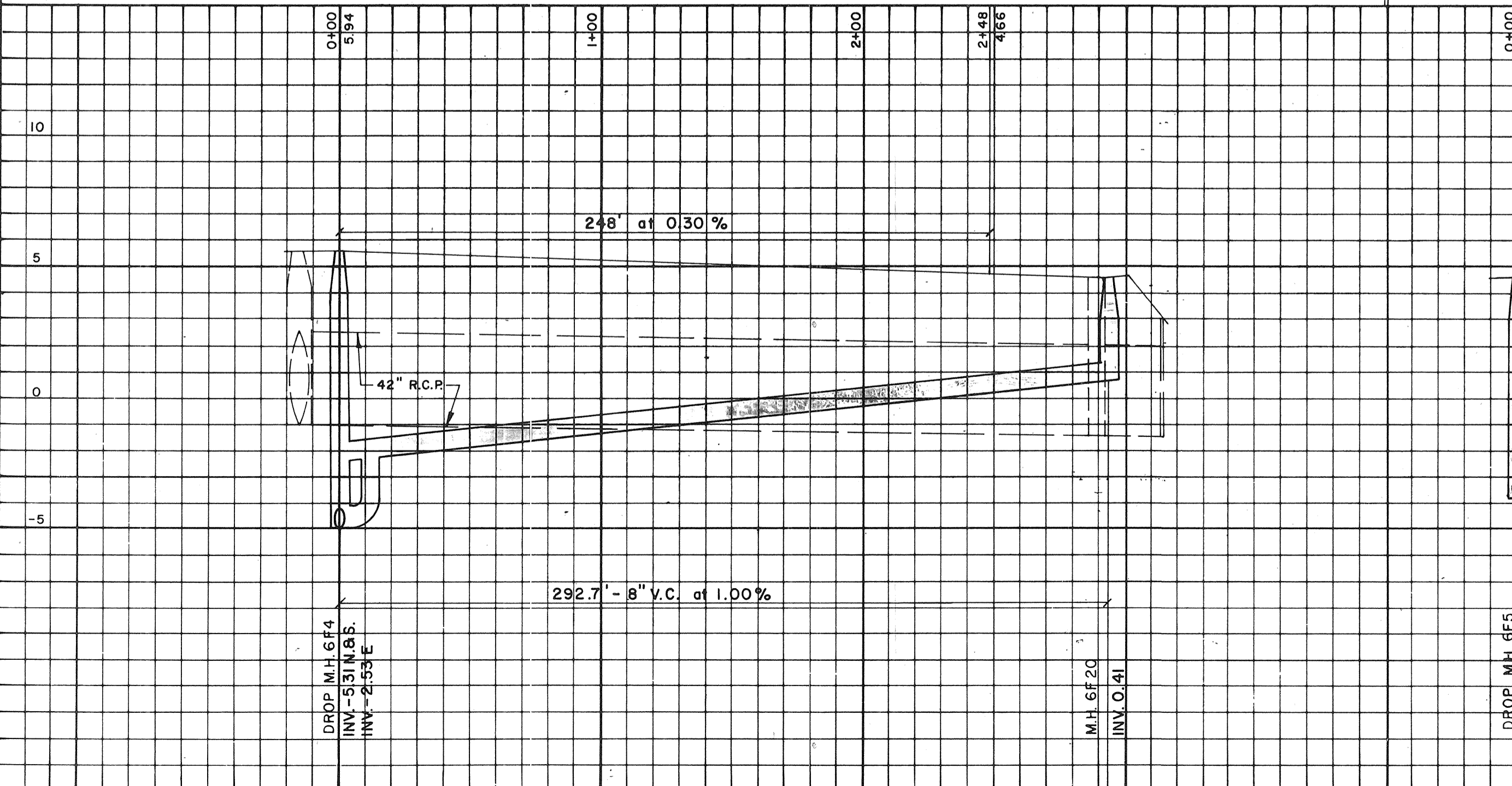
BAYOU GATE



BAYOU LANE



BAYOU WAY



NOTE: Sanitary Lateral Stations are from nearest down stream manhole (0+00)

- LEGEND
- General Telephone
 - Storer Television
 - Fla. Power & Light Co.
 - Arvida Corporation

DESIGNED BY PROJECT ENGINEER	DATE:
CHECKED BY PROJECT NO.	SCALE: 1"=40'
DRAWN BY	VER: 1"=4'
REVISION	BY
LTR. DATE	
TOWN OF LONGBOAT KEY, FLORIDA	
ARVIDA CORPORATION	
BAY ISLES UNIT NO. 2	
WATER DISTRIBUTION & SEWAGE COLLECTION	
BENNETT & BISHOP, INC. - CONSULTING ENGINEERS & SURVEYORS - 4509 BEE RIDGE RD., SARASOTA, FLORIDA	
ENGINEER	
LOCATION	
T.L.K. FILE NO.	
SHEET NUMBER	191-141AB
REVISION	