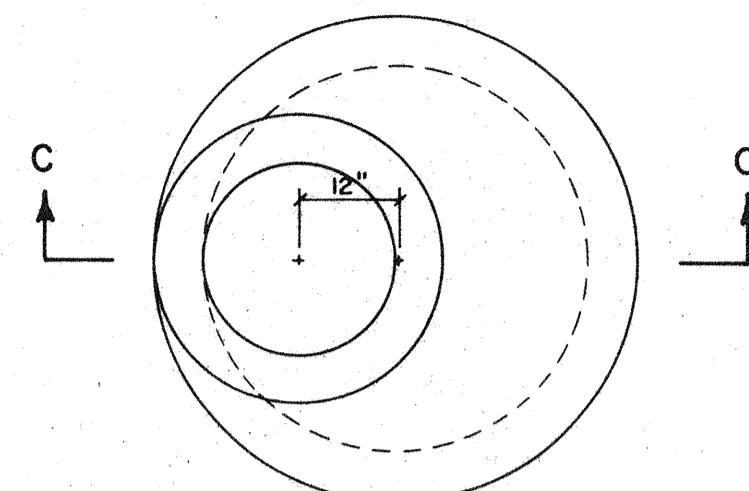
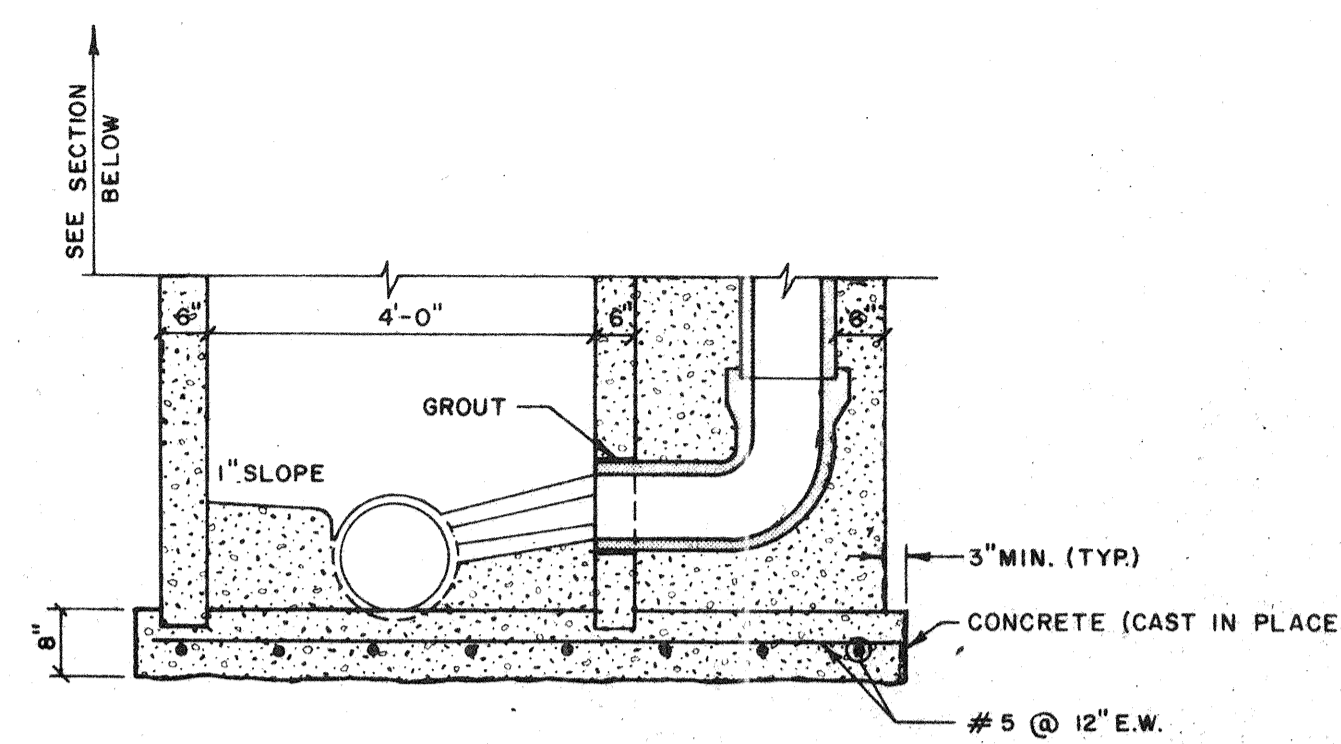


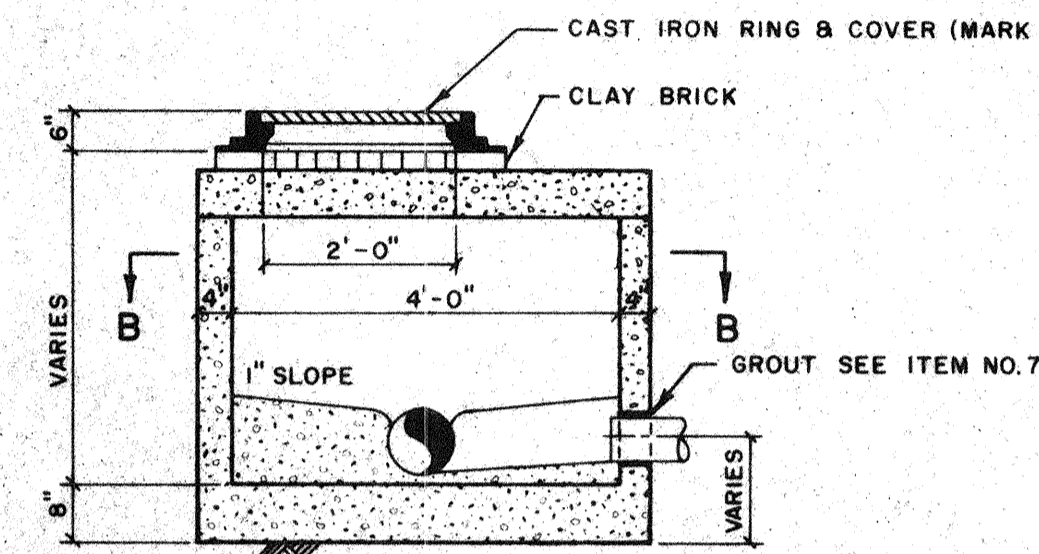
PLAN



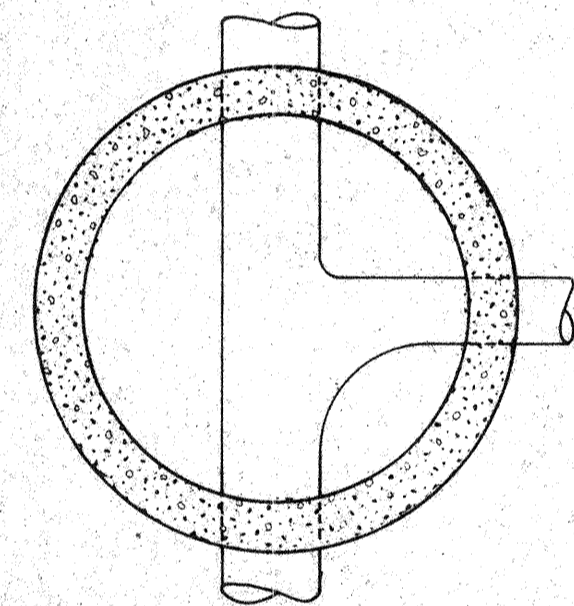
PLAN



ALTERNATE SECTION

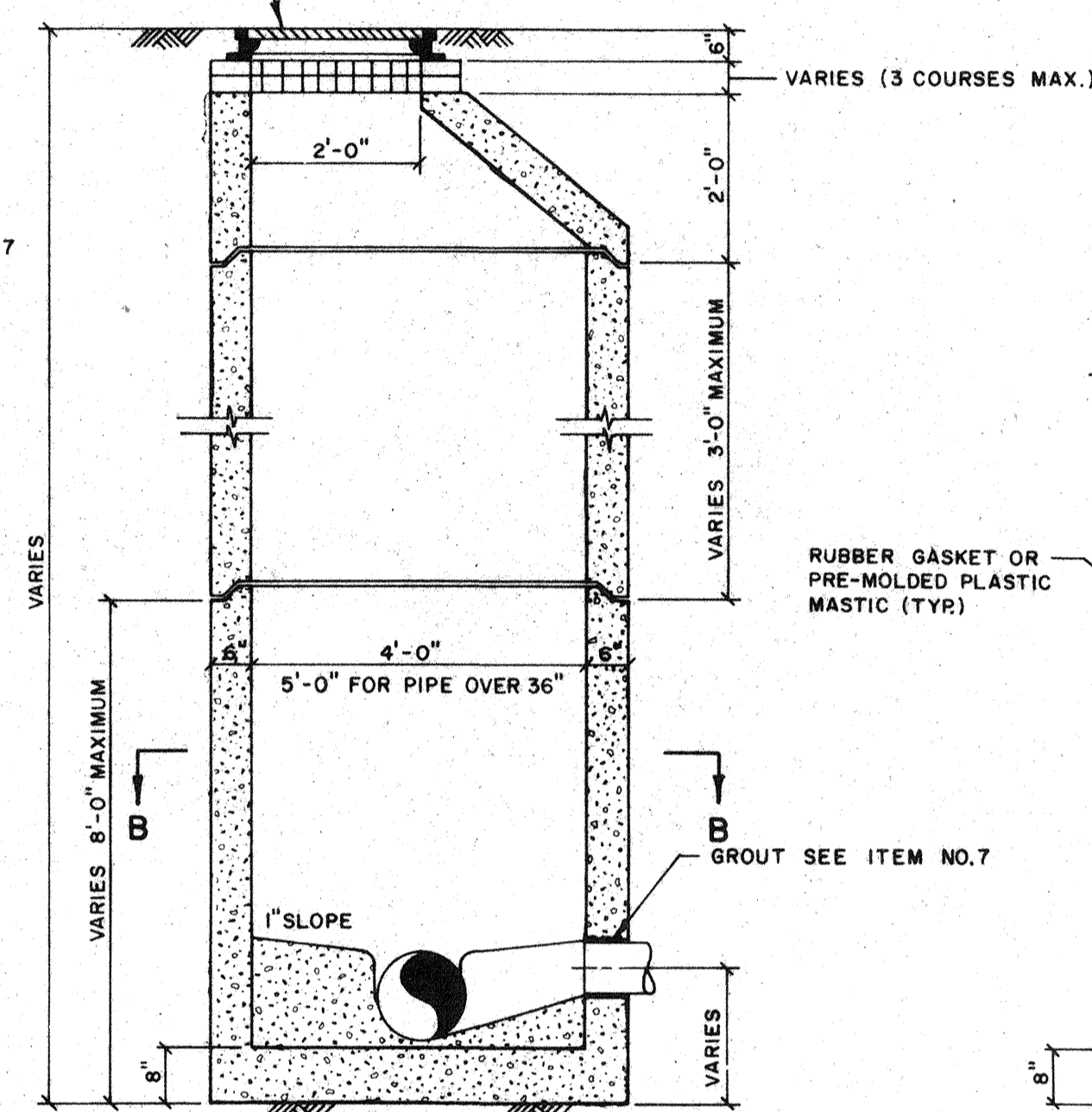


SECTION A-A



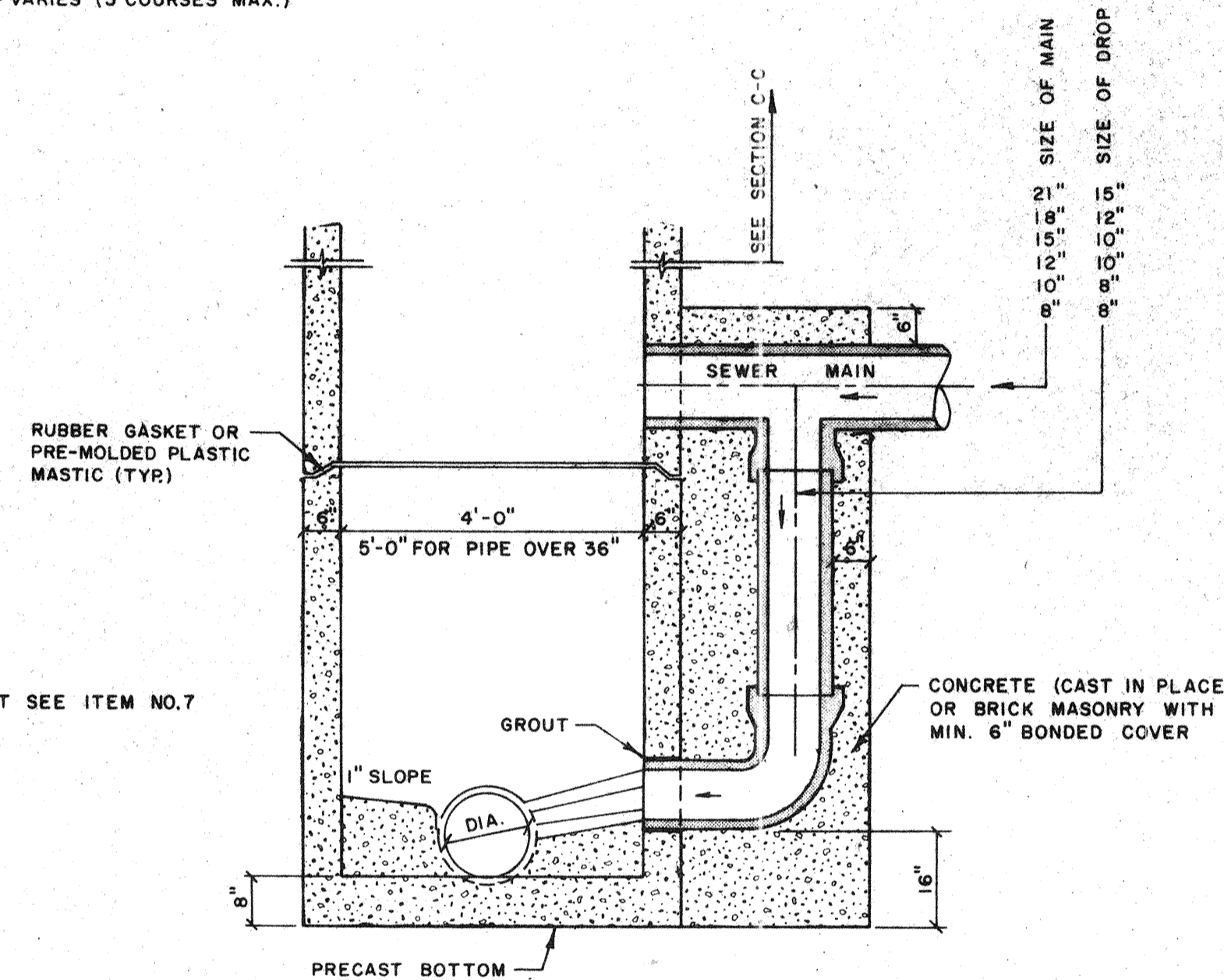
SECTION B-B

FOR DEPTHS 5'-0" & LESS
SCALE: 1/2" = 1'-0"



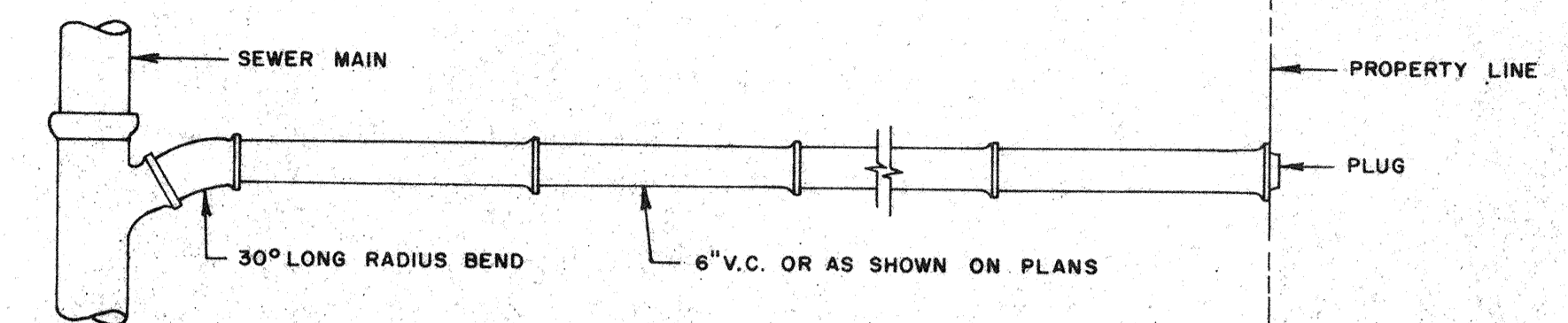
SECTION C-C

FOR DEPTHS OVER 5'-0"
SCALE: 1/2" = 1'-0"

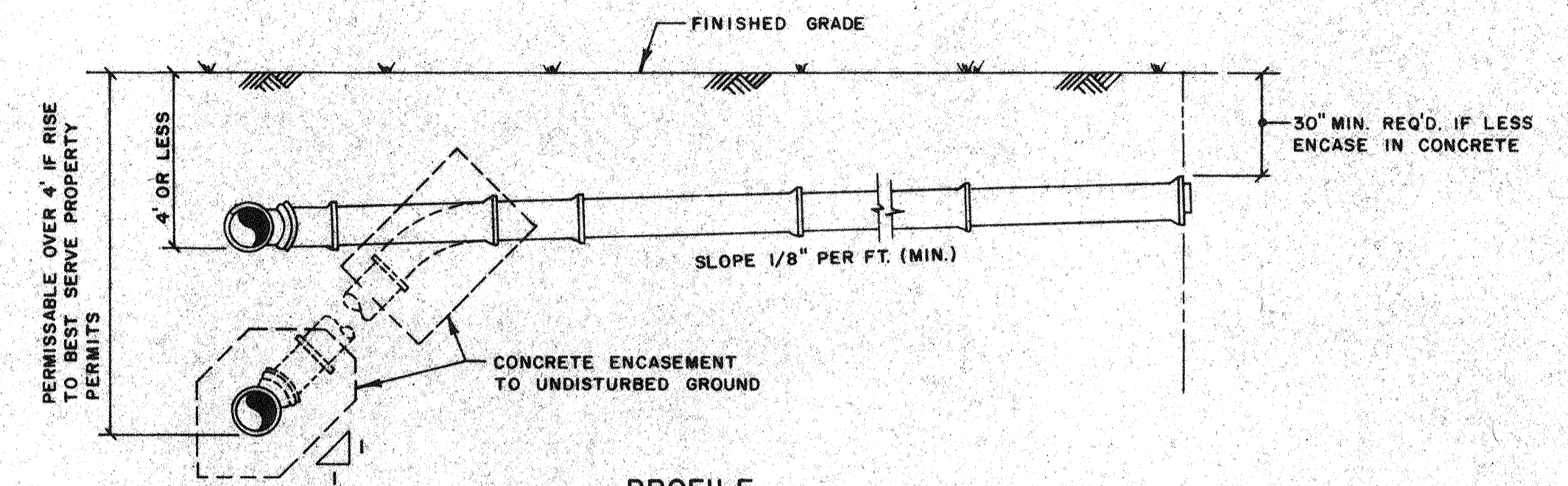


SECTION

DROP MANHOLE
SCALE: 1/2" = 1'-0"

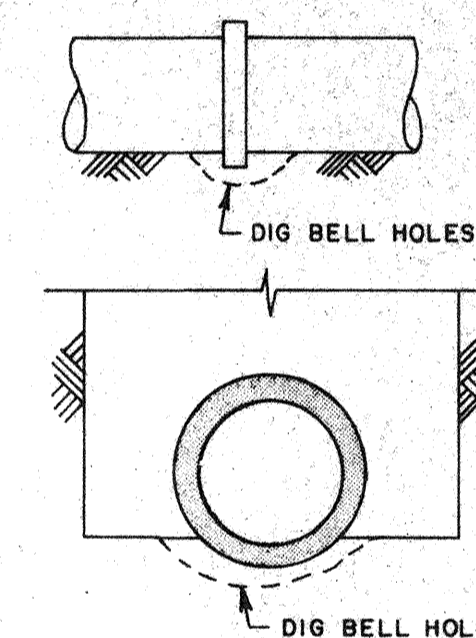


PLAN

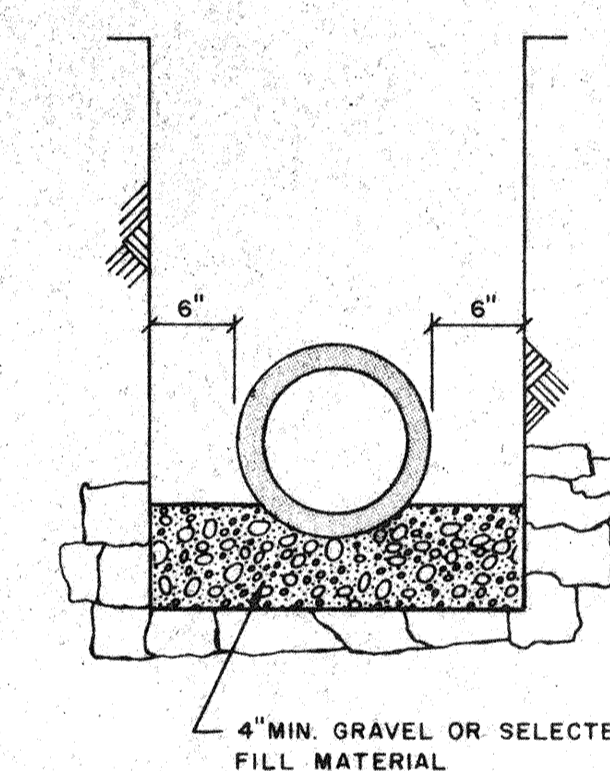


PROFILE

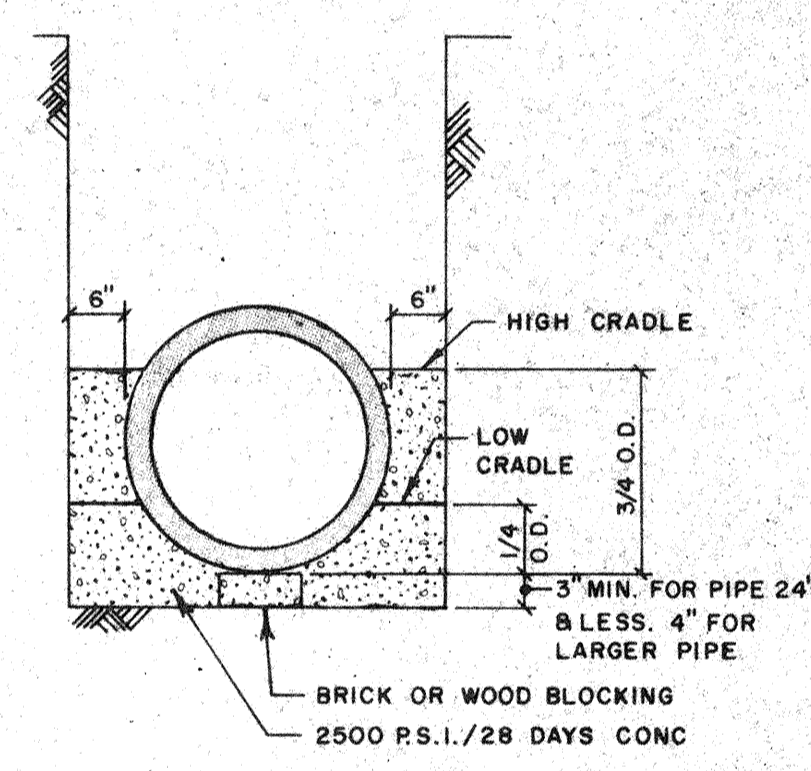
TYPICAL SERVICE CONNECTION
NO SCALE



TRENCH IN EARTH

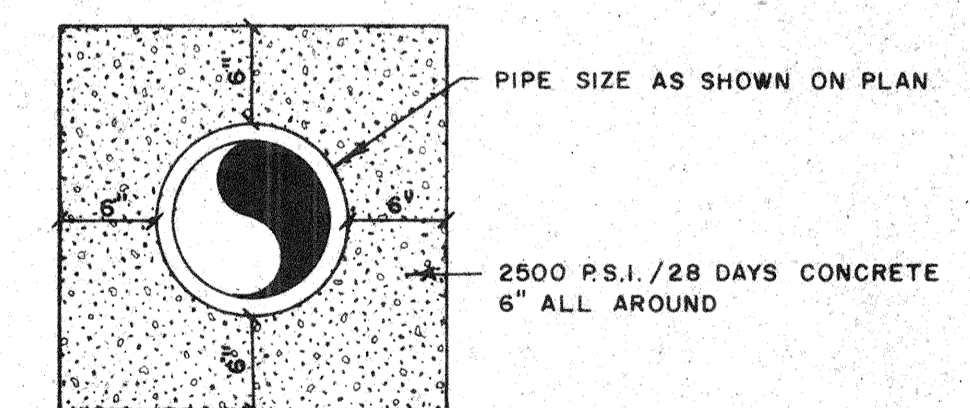


TRENCH IN ROCK



CONCRETE CRADLES

TYPICAL EXCAVATION & PIPE SETTINGS
NO SCALE



CONCRETE ENCASEMENT
NO SCALE

MANHOLE SPECIFICATIONS:

1. MANHOLES SHALL COMPLY WITH A.S.T.M. SPECS. C-47B, LATEST REVISION, "PRECAST REINFORCED CONCRETE MANHOLE SECTIONS."
2. CONCRETE SHALL BE 4,000 P.S.I./28 DAY MINIMUM STRENGTH, WITH TYPE I CEMENT.
3. HEAVY DUTY MANHOLE RING (6" HIGH) AND COVER SHALL BE TYPE B (DWG. NO. 240; O.D. NO. 24) WITH FRAME & BOLTED COVER (333LB) WITH 4 S.S. BOLTS, NEOPRENE GASKET & BLIND PICKHOLE AS MANUFACTURED BY U.S. FOUNDRY CORP., MIAMI, FLORIDA, OR APPROVED EQUAL, WITH THE WORDS "WASTEWATER" CAST INTO THE COVER.
4. REINFORCING PER A.S.T.M. SPEC. C-47B, LATEST REV.
5. LEVELING BRICKS TO BE CLAY; MORTAR TO BE 2 PARTS CLEAN SAND AND 1 PART CEMENT WITH NO MORE THAN 1/4 PART HYDRATED LIME, WITH JOINTS FULL & STRUCK FLUSH.
6. NO STEPS SHALL BE USED.
7. COMPLETELY FILL SPACE BETWEEN PIPES AND MANHOLE WALL WITH CEMENT MORTAR AFTER PIPE IS SET WITH 15LB. EMBECO PER 100LB. CEMENT.

GENERAL NOTES:

1. WHERE WATER & WASTEWATER MAINS CROSS WITH LESS THAN 18" VERTICAL CLEARANCE, THE WASTEWATER PIPE SHALL BE OF EITHER CAST IRON OR CONCRETE ENCASED VITRIFIED CLAY, (20' MIN.) CENTERED ON THE POINT OF CROSSING.
2. PARALLEL WATER & WASTEWATER MAINS SHALL MAINTAIN A HORIZONTAL SEPARATION OF AT LEAST 10' WHERE PRACTICAL.
3. WHERE STORMWATER SEWERS CROSS OVER WASTEWATER SEWERS WITH LESS THAN 12" VERTICAL CLEARANCE, THE WASTEWATER PIPE SHALL BE OF EITHER CAST IRON OR CONCRETE ENCASED VITRIFIED CLAY, 10' MINIMUM EITHER SIDE OF CROSSING.

BENNETT & BISHOP
CONSULTING ENGINEERS & SURVEYORS
SARASOTA FLORIDA

DATE	SCALE	AS SHOWN	DESIGN	DRAWN	R. A. B.	CHECK	APPROVED	DESCRIPTION
SEPT 21/1988								General Revision

SARASOTA, FL.

ARVIDA CORPORATION
TOWN PLAZA - PHASE II
SANITARY SEWER DETAILS