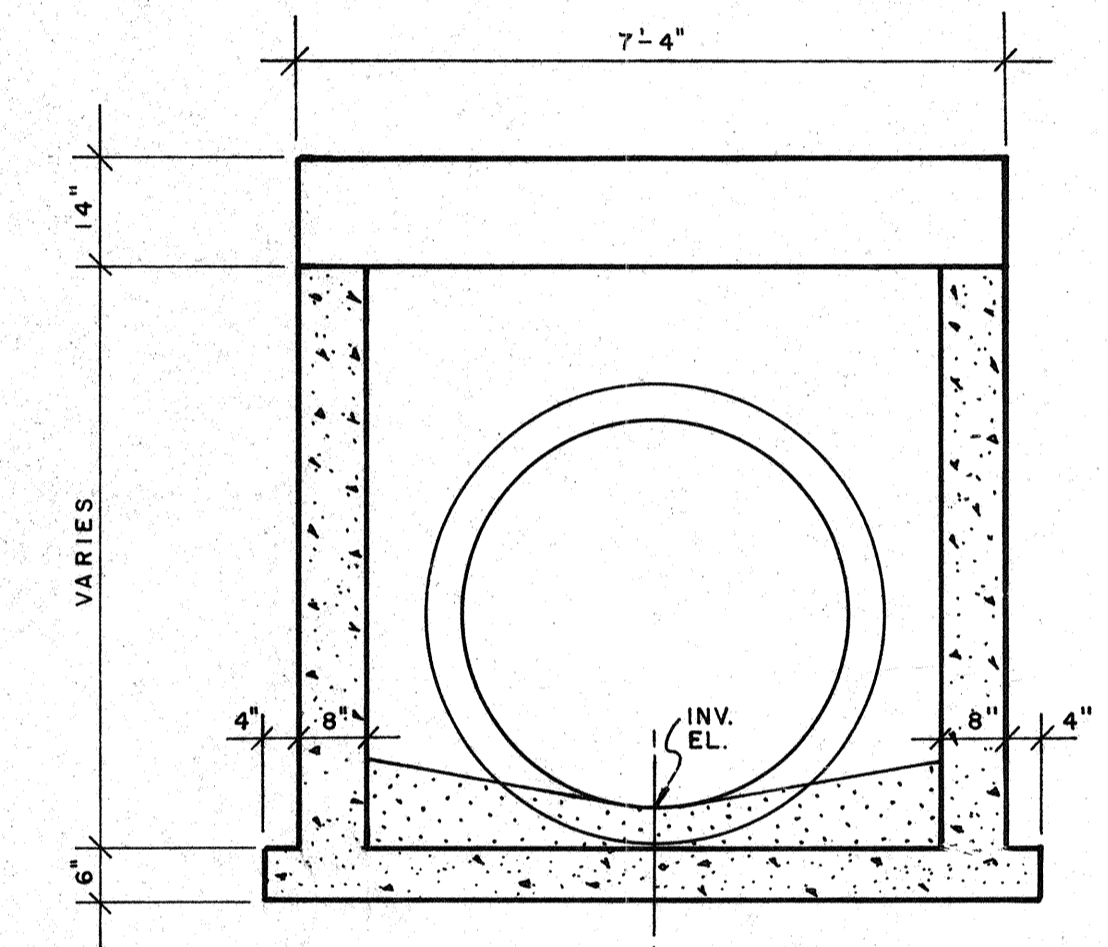
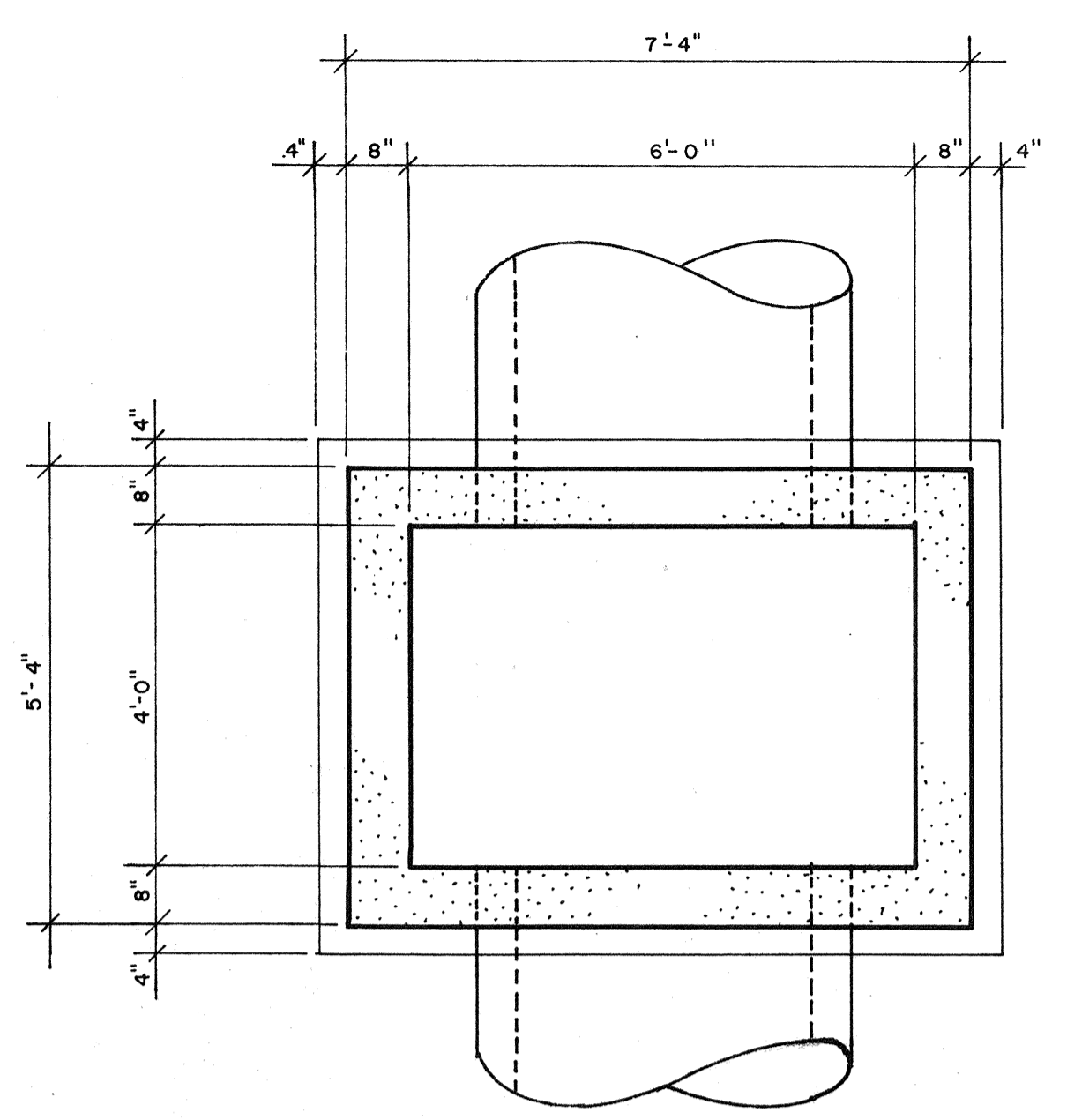


PLAN (SLAB TOP REMOVED)

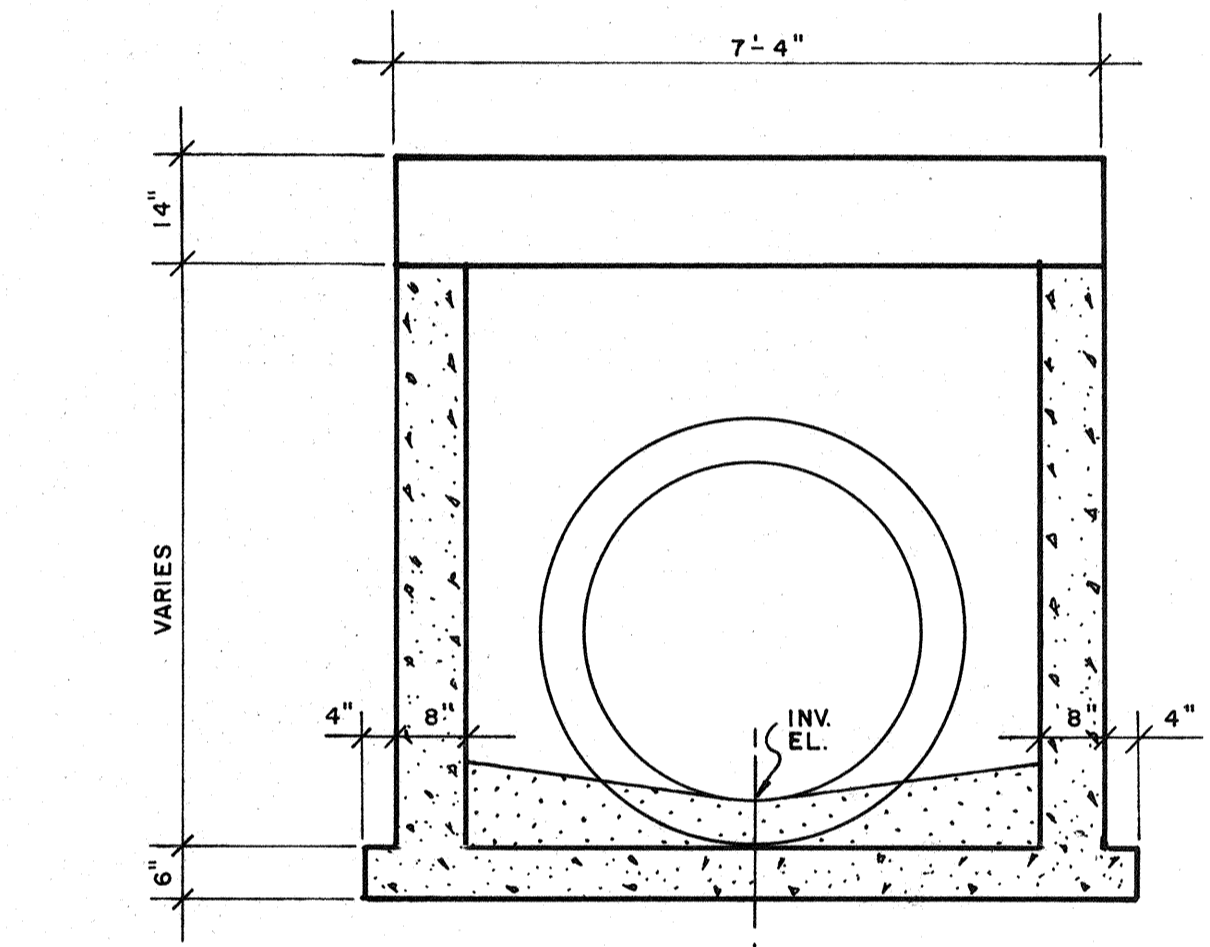


SECTION

JUNCTION BOX TYPE "2"  
(S-20 & S-21)

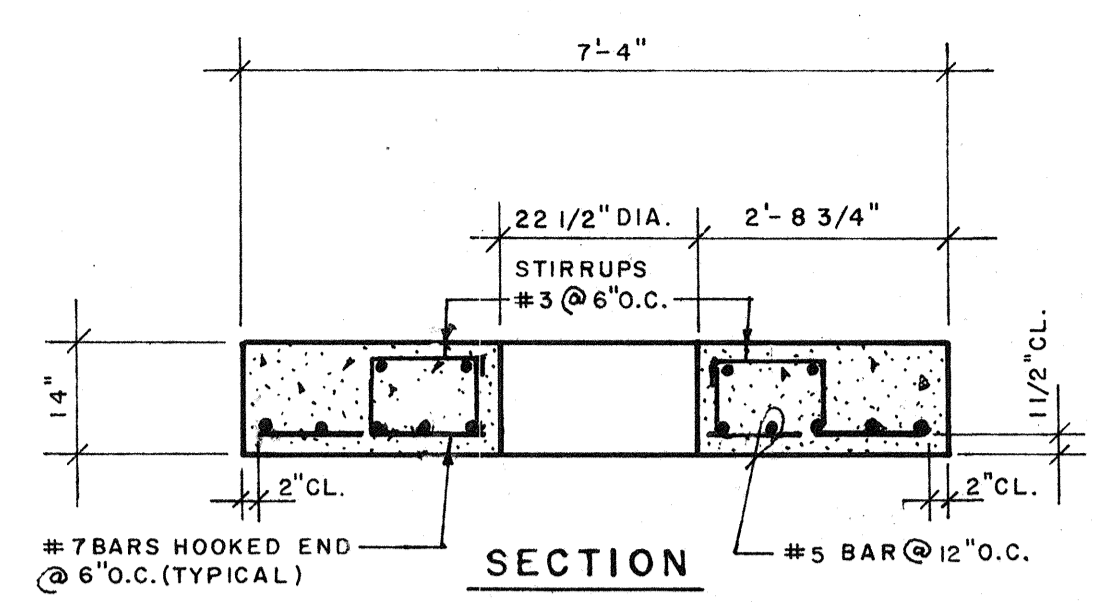


PLAN (SLAB TOP REMOVED)

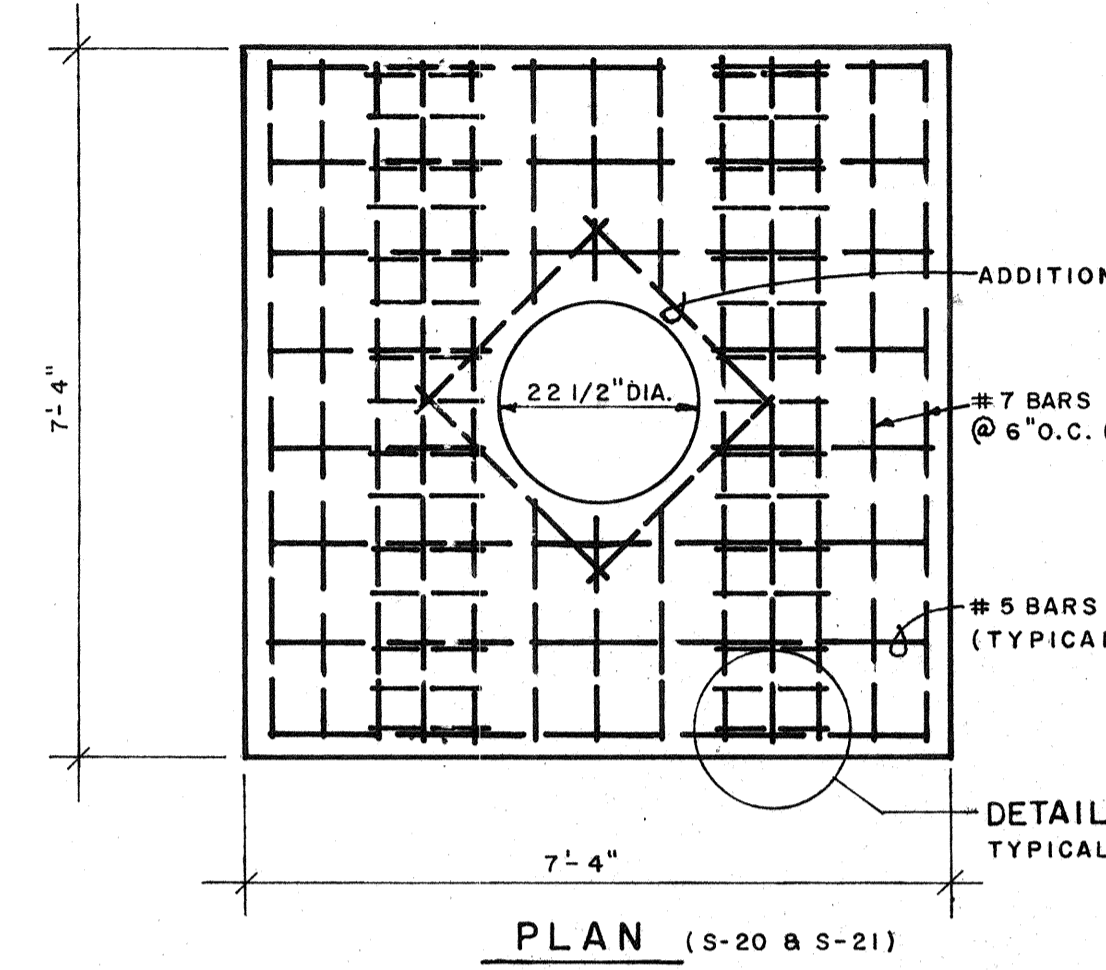


SECTION

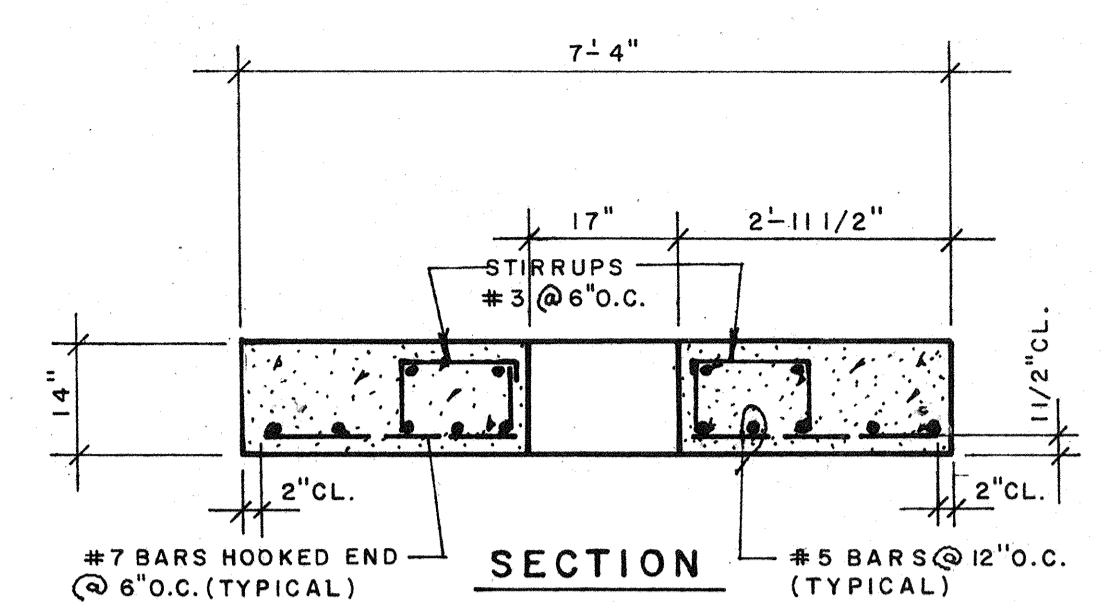
JUNCTION BOX TYPE "3"  
(S-22, S-23 & S-24)



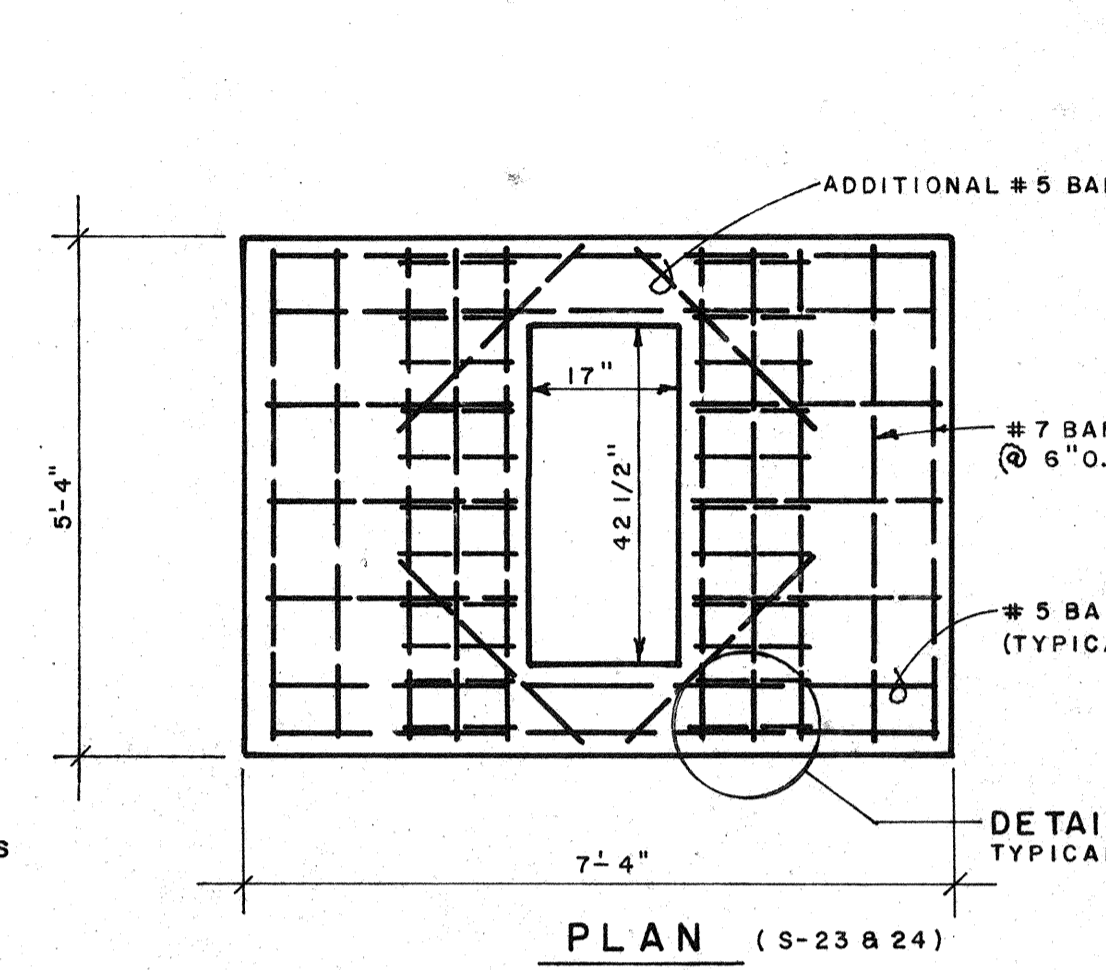
SECTION



PLAN (S-20 & S-21)

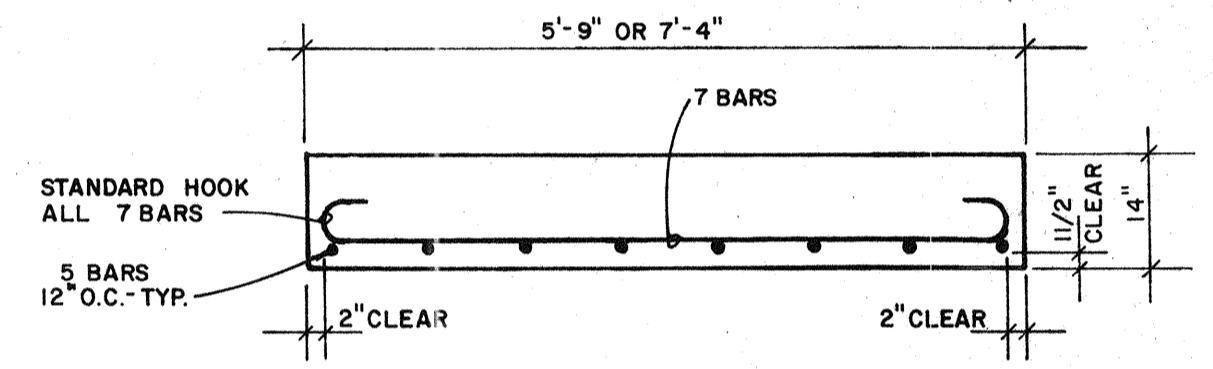


SECTION

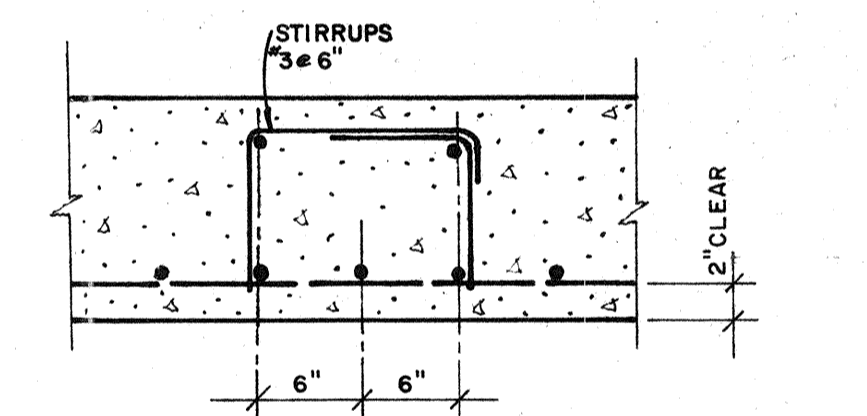


PLAN (S-23 & S-24)

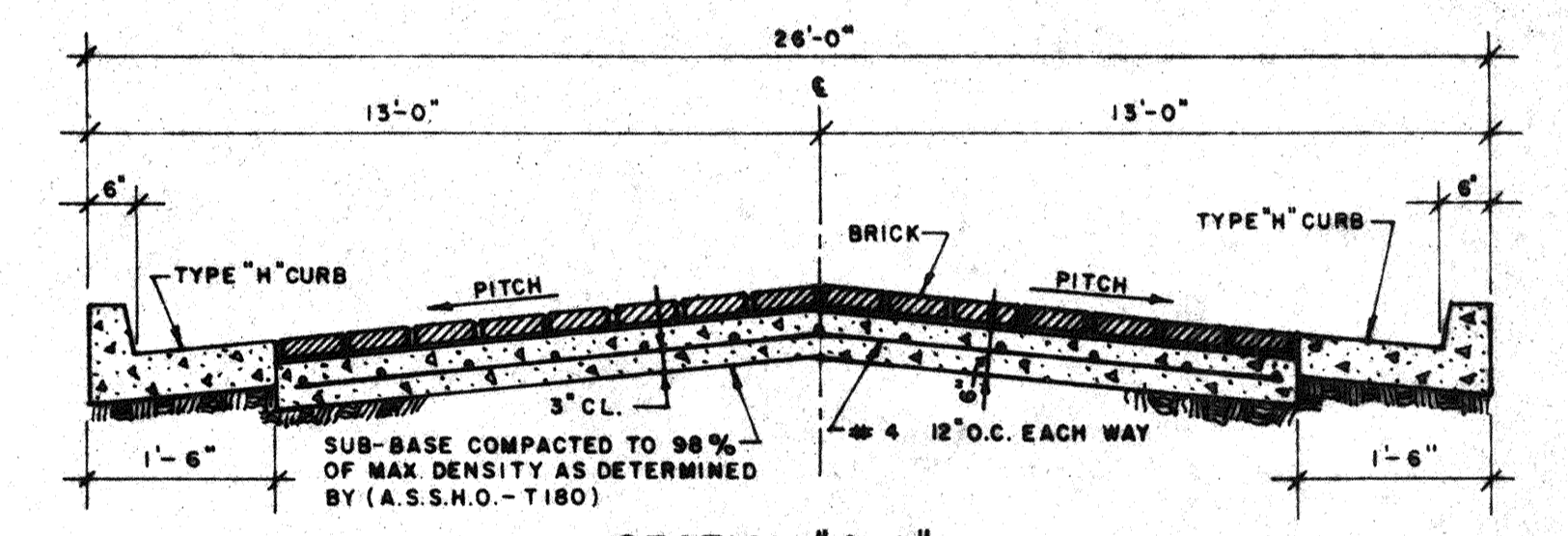
SLAB TOP DETAIL (BOTTOM STEEL ONLY)  
SCALE 1/2" = 1'-0"



TYPICAL STEEL PLACEMENT  
ALL SLABS TYP.  
N.T.S.

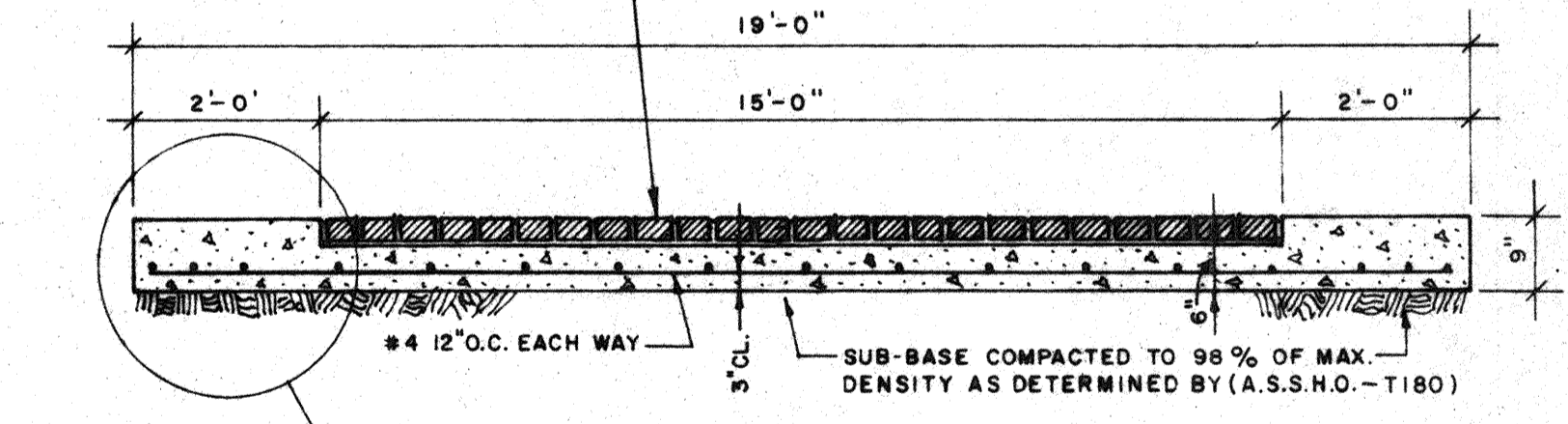


DETAIL "A"  
N.T.S.

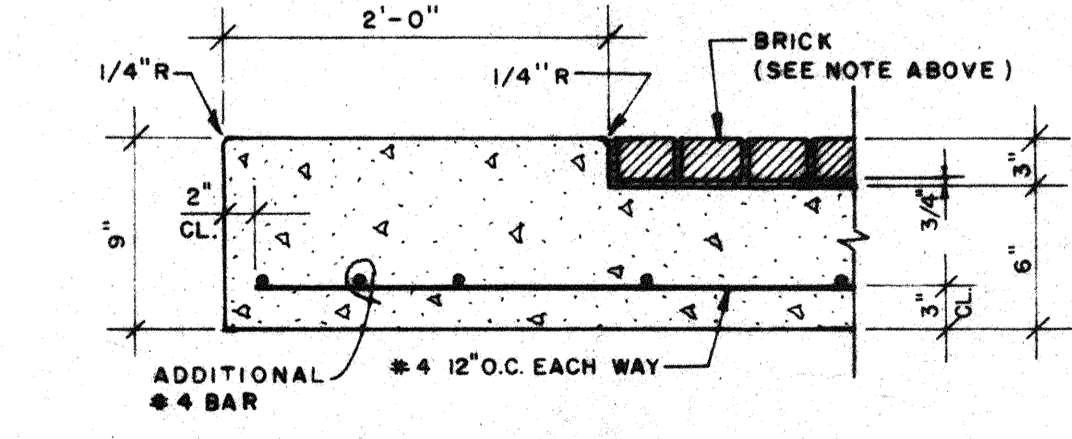


SECTION "A-A"  
NOT TO SCALE

A.S.T.M. 662 TERRA COTTA RED CLAY BRICK TO MATCH EXISTING BRICK AT BAY ISLES SHOPPING CENTER. PROVIDE 3/8" TO 1/2" JOINT AND 3/4" BED OF 1500 # MORTAR PER A.S.T.M. C 270 USE COMMON BOND.

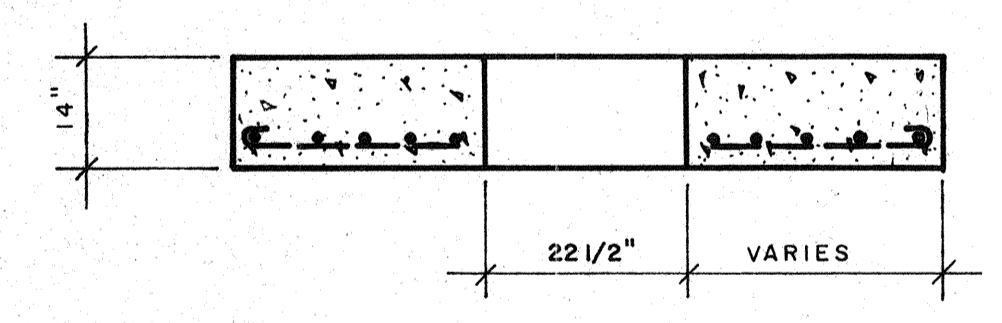


SECTION "B-B"  
NOT TO SCALE

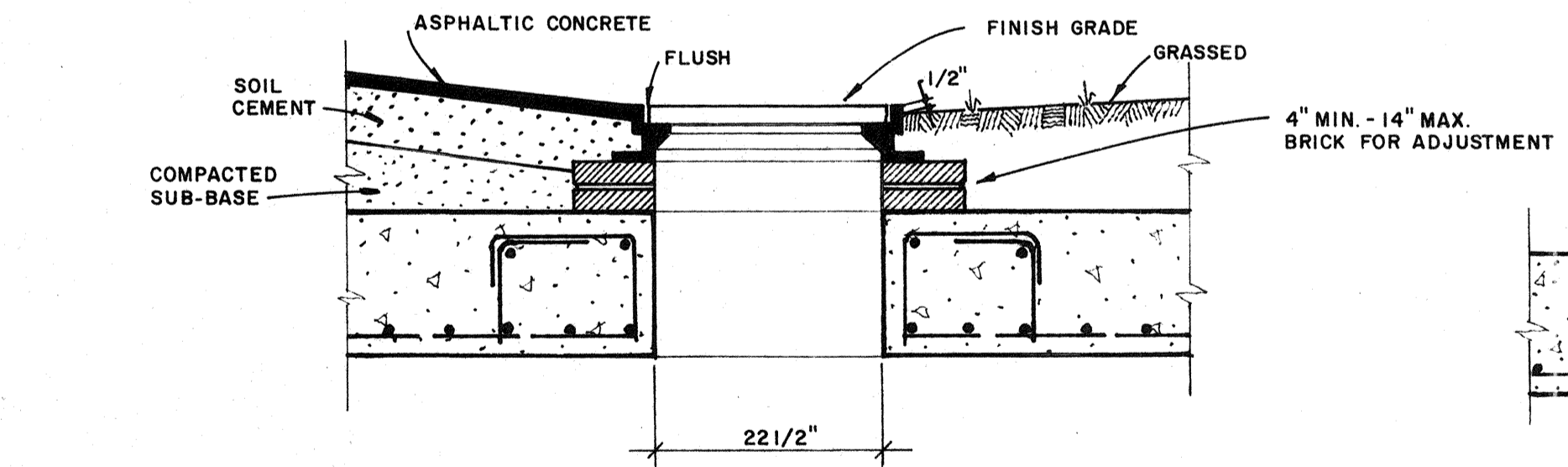


DETAIL - I  
SCALE 1" = 1'-0"

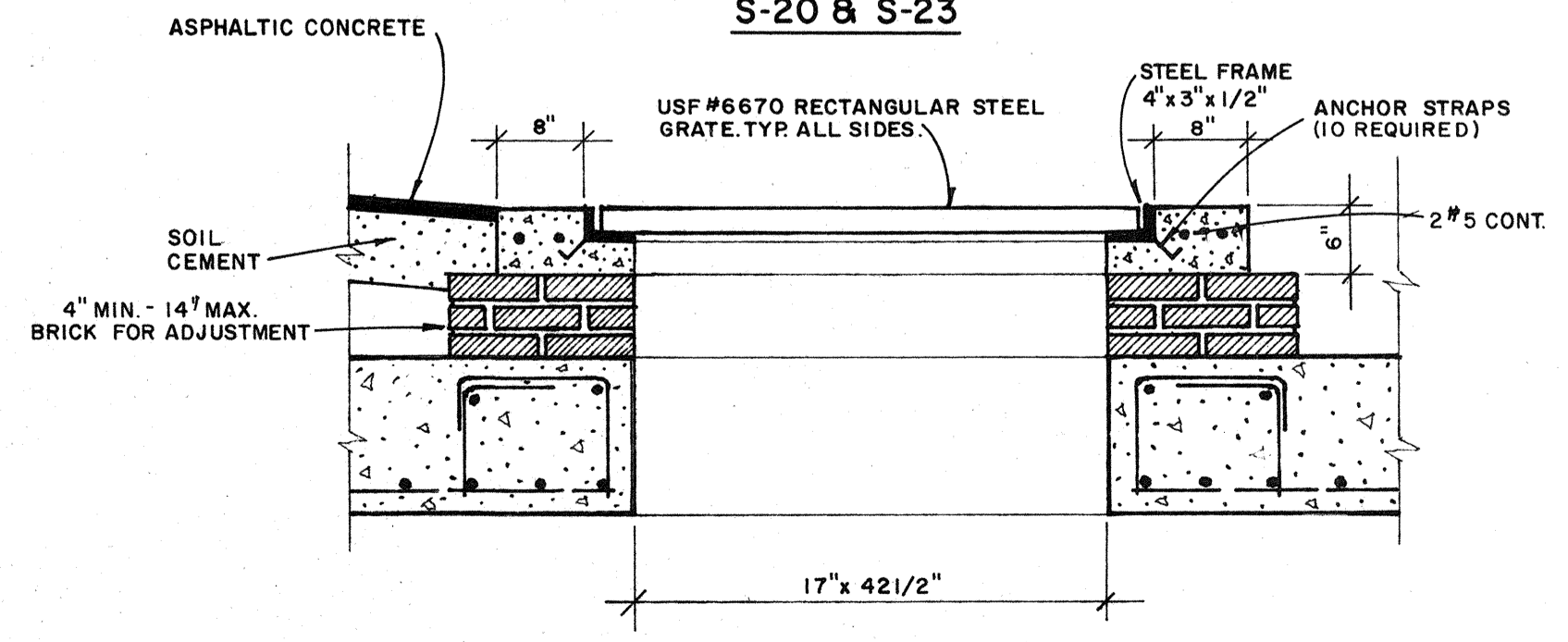
SPECIAL BRICK PAVEMENT  
N.T.S.



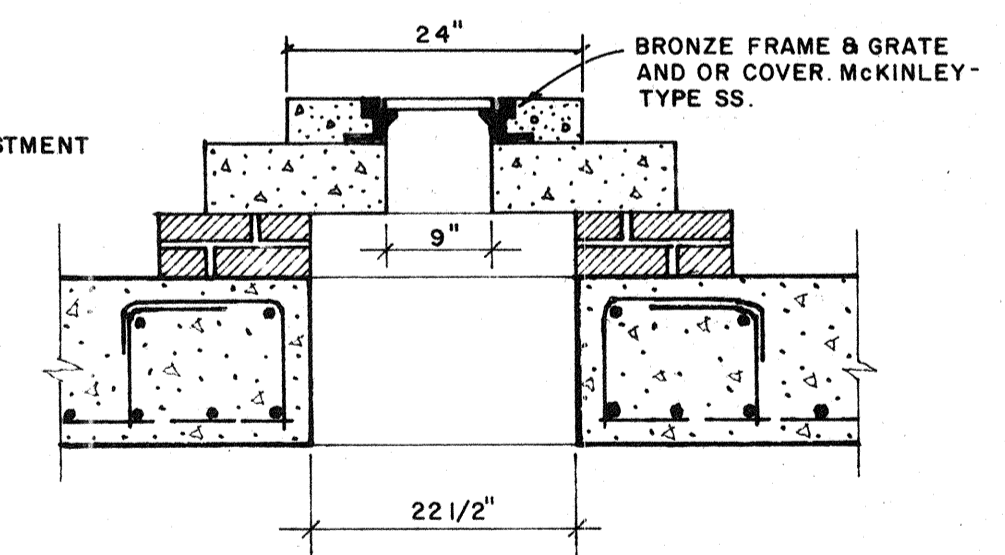
PLAN  
SLAB TOP DETAIL  
(BOTTOM STEEL ONLY)  
N.T.S.



MANHOLE FRAME & COVER  
USF #105 TYPE "C" COVER  
S-20 & S-23



S-24  
DROP INLET-FRAME & GRATE



S-21 & S-22  
PEDESTRIAN AREA DRAIN

DATE	SCALE	DESIGN	DRAWN	CHECK	APPROVED
JAN. 2, 1985	AS SHOWN	N.A.	N.A.	N.A.	N.A.