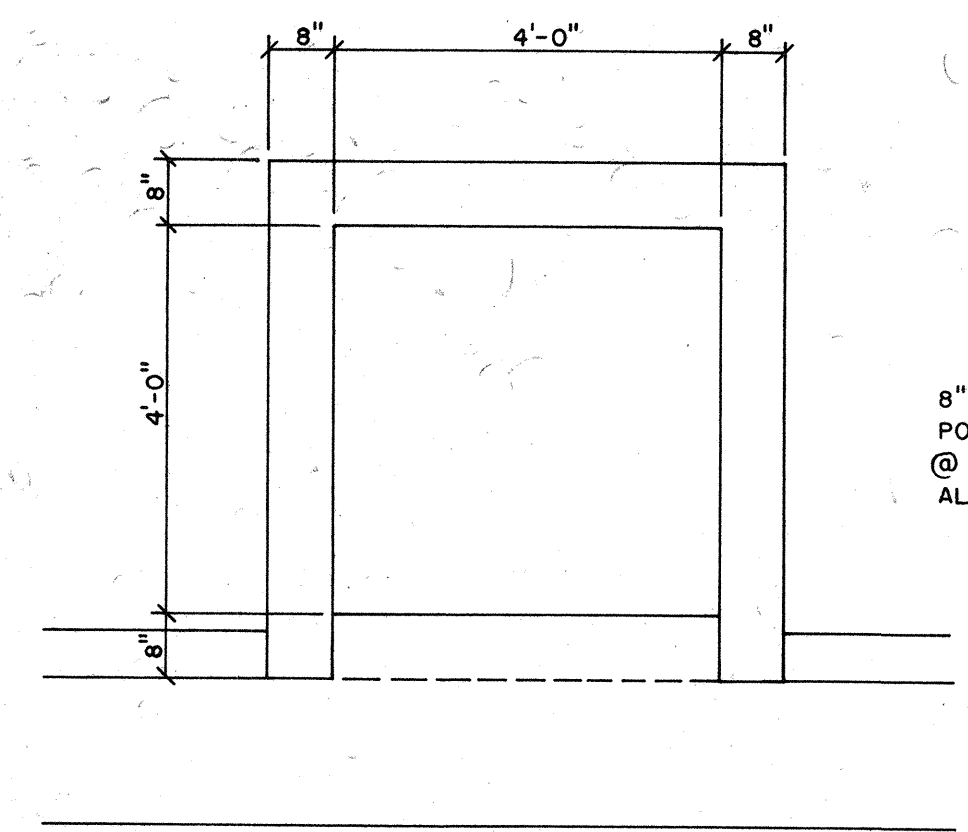
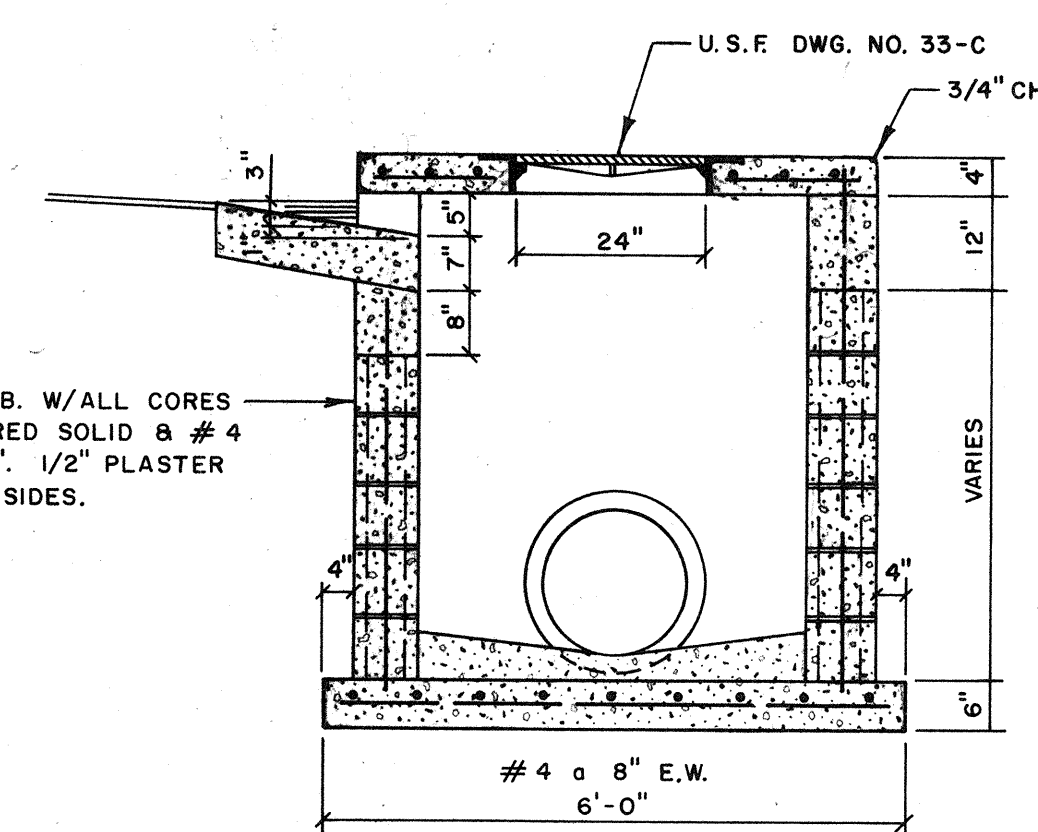


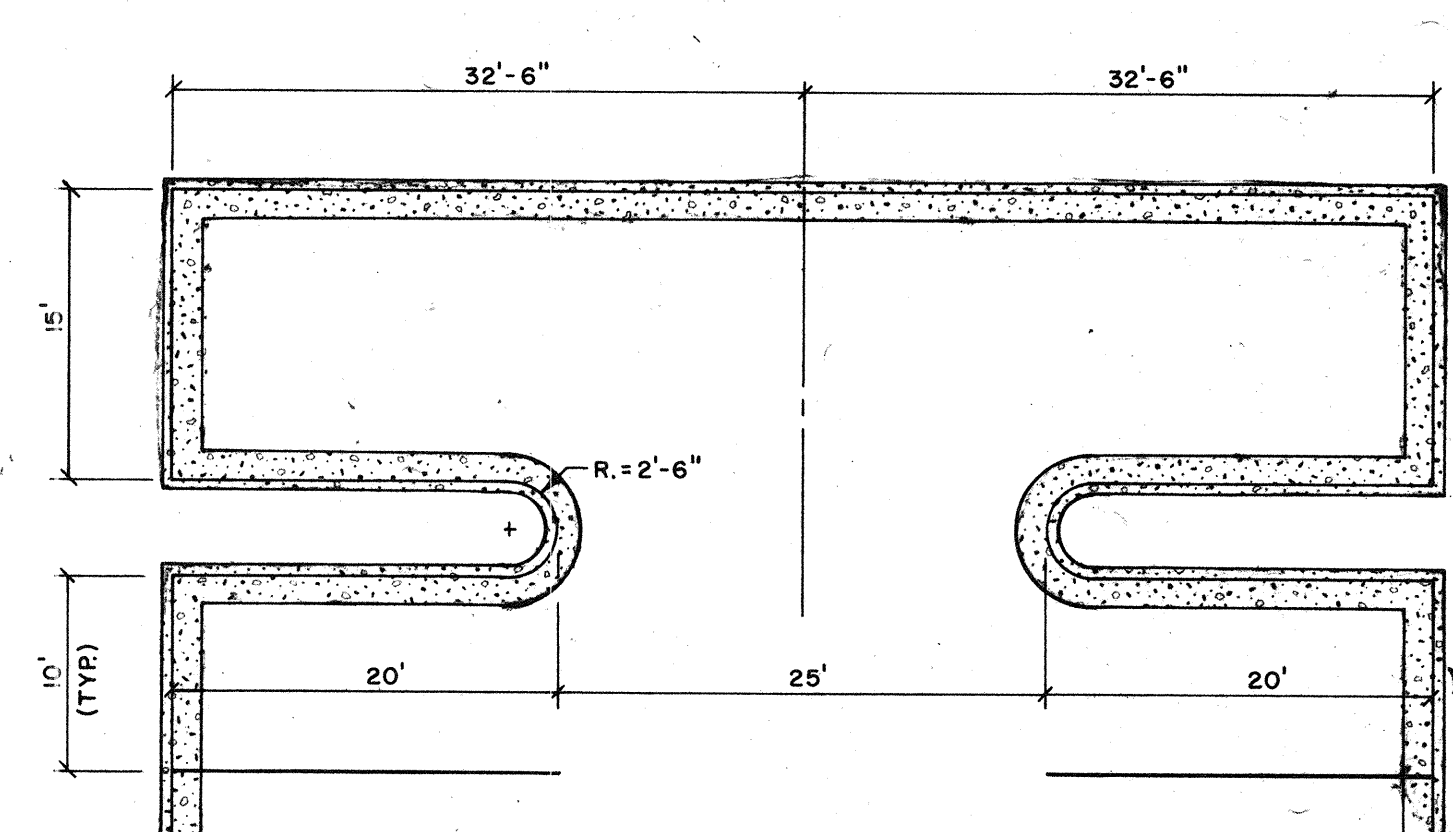
PLAN - COVER



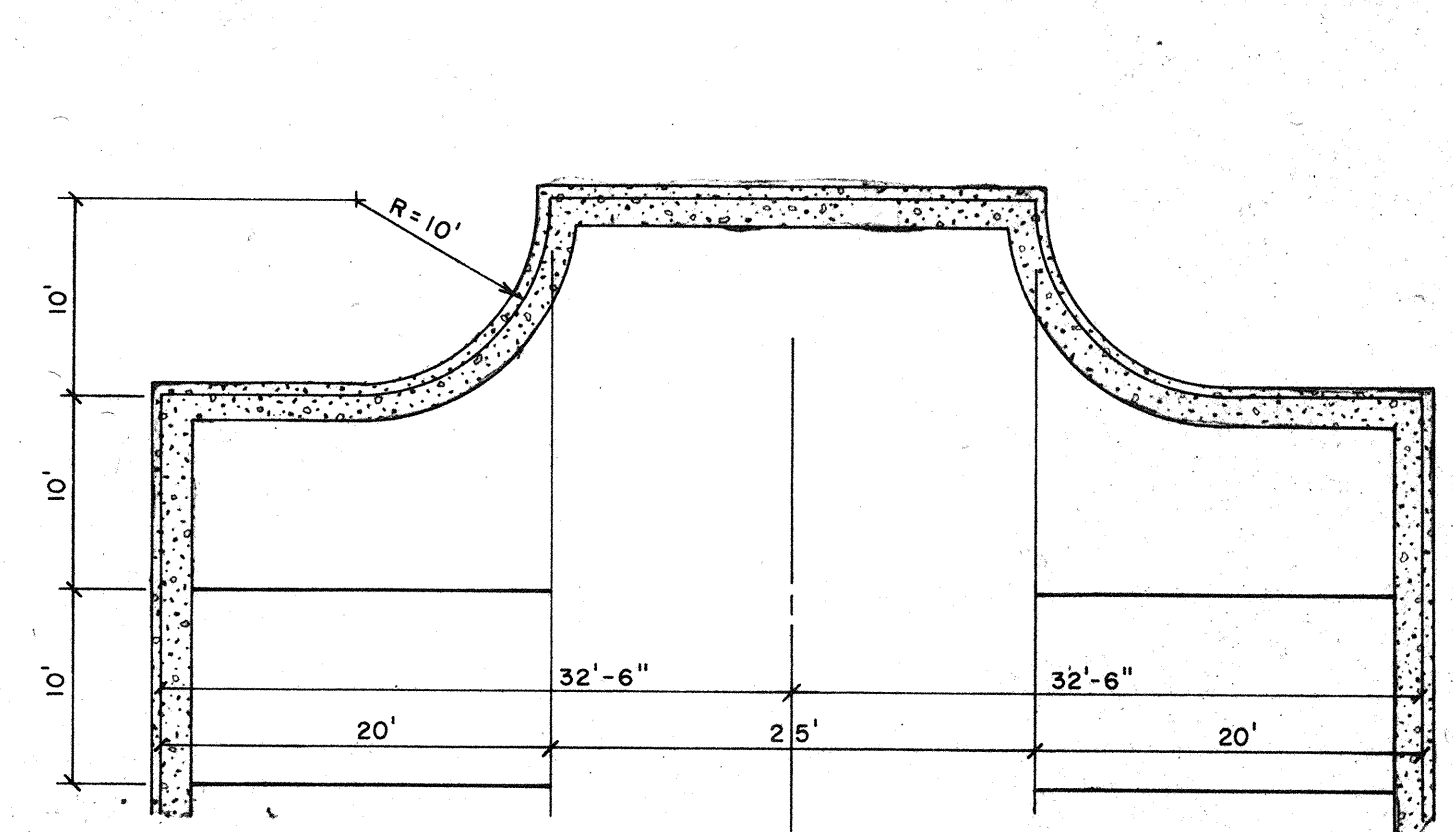
PLAN - COVER REMOVED



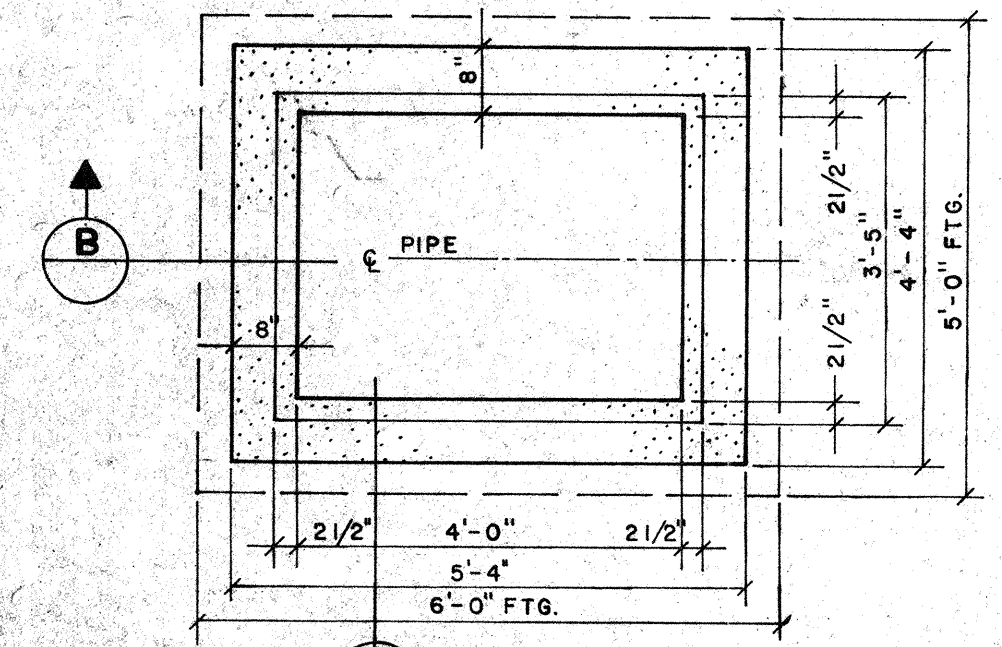
SECTION



TURNAROUND DETAIL "A"

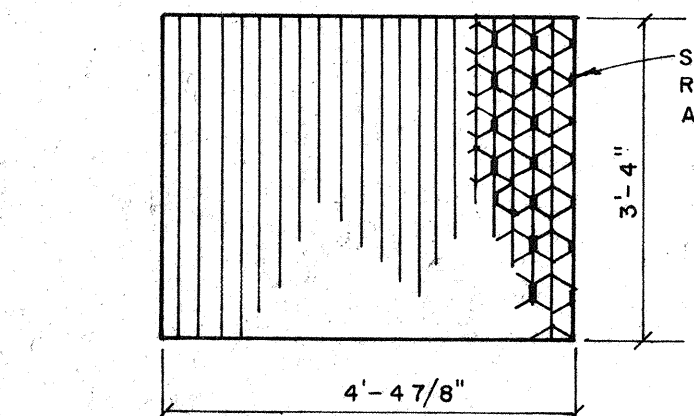


TURNAROUND DETAIL "B"



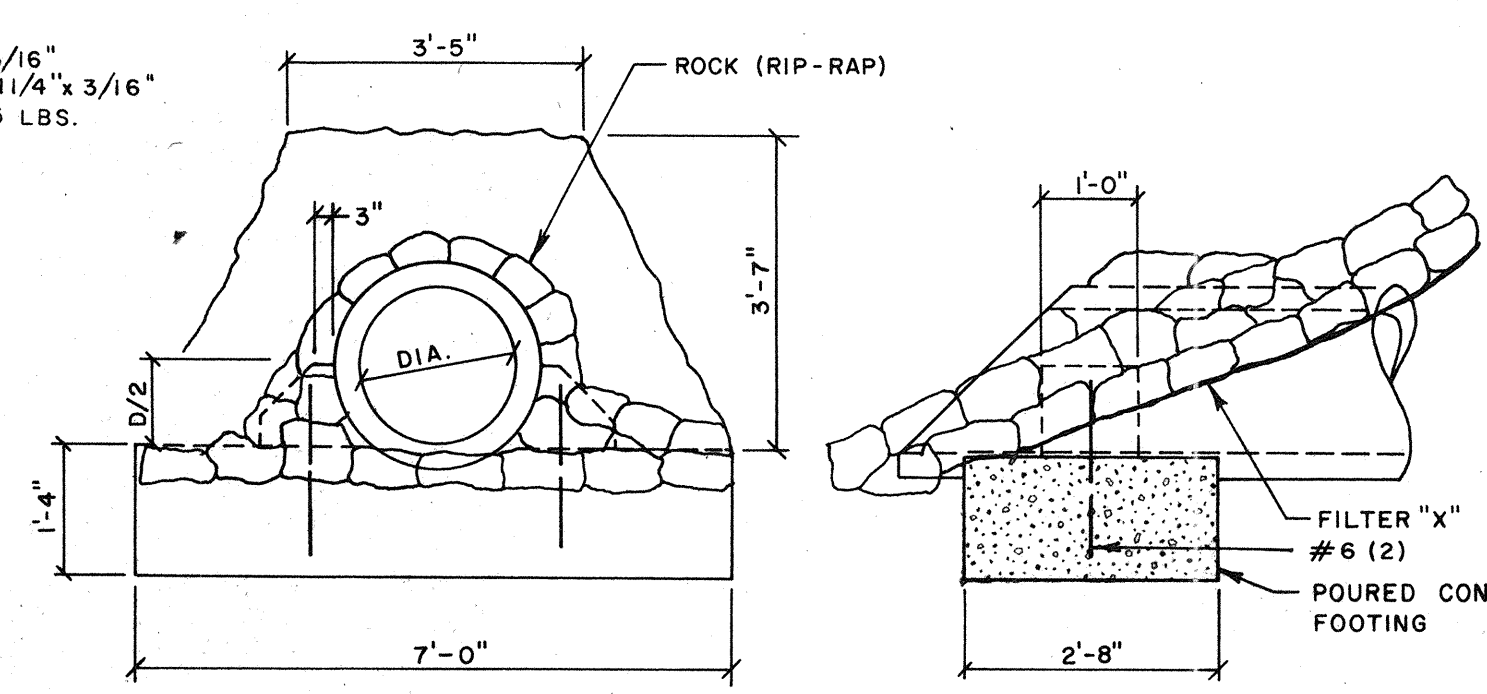
TYPICAL CURB INLET

SCALE: 1/2" = 1'-0"



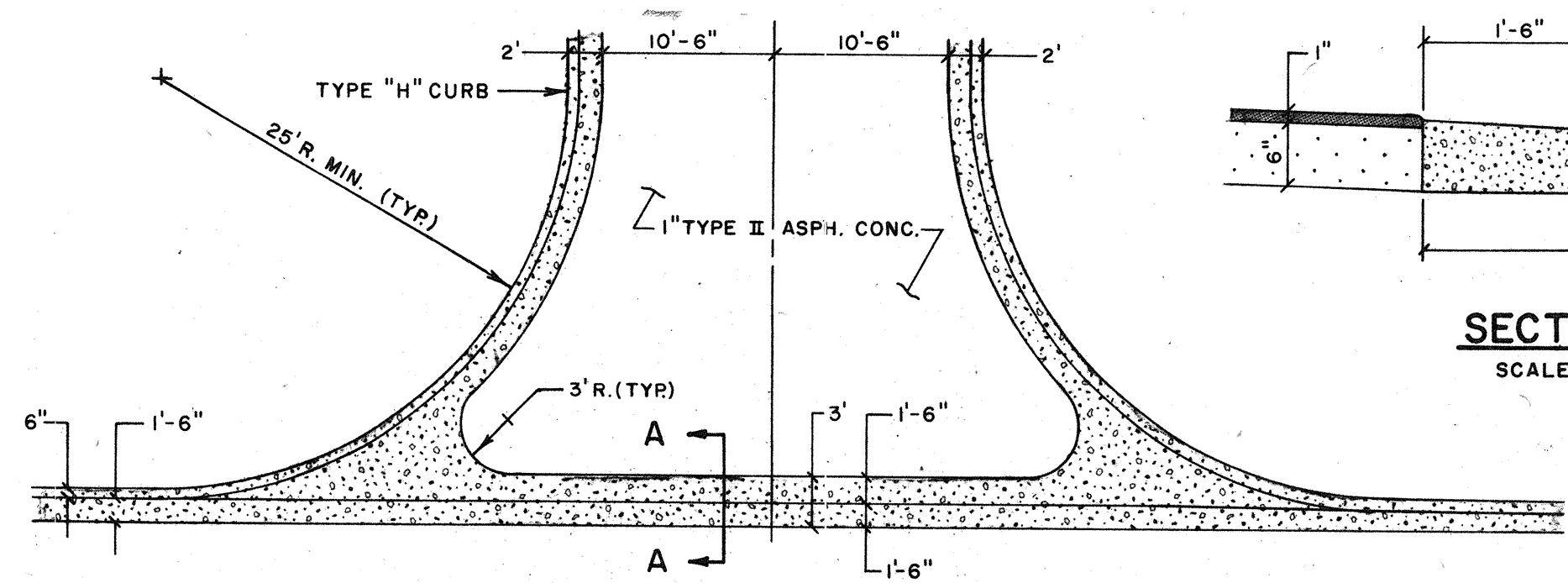
TYPE "E" STEEL GRATING

(DOT INDEX DDI-03)



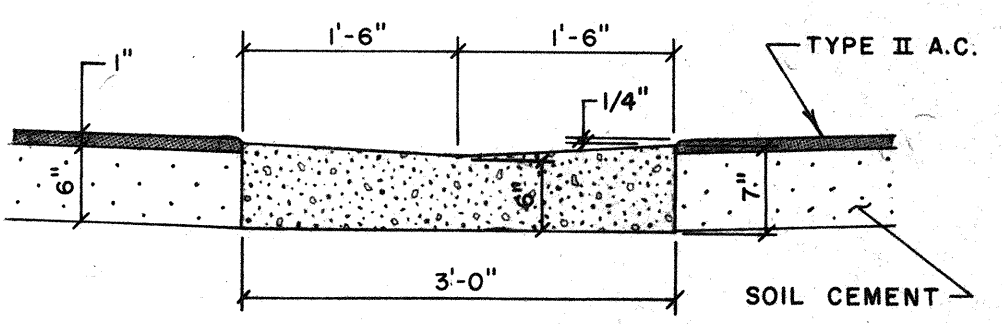
TYPICAL ENDWALL

SCALE: 1/2" = 1'-0"



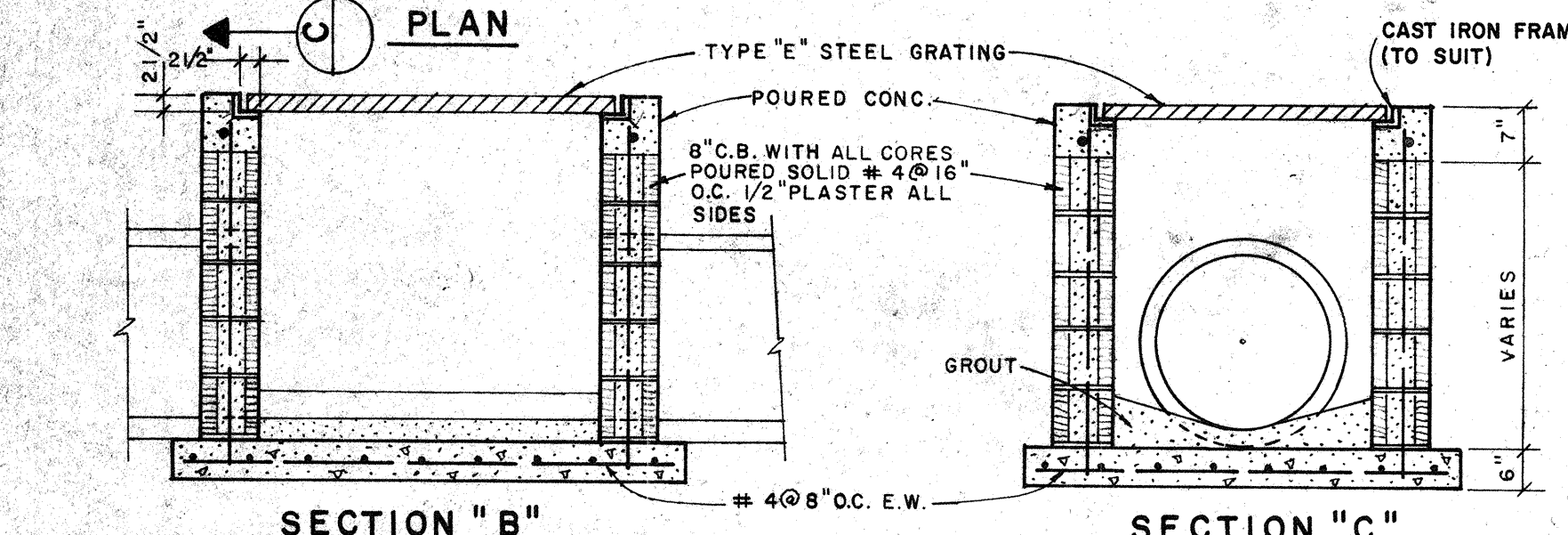
VALLEY GUTTER DETAIL

SCALE: 1" = 10'-0"



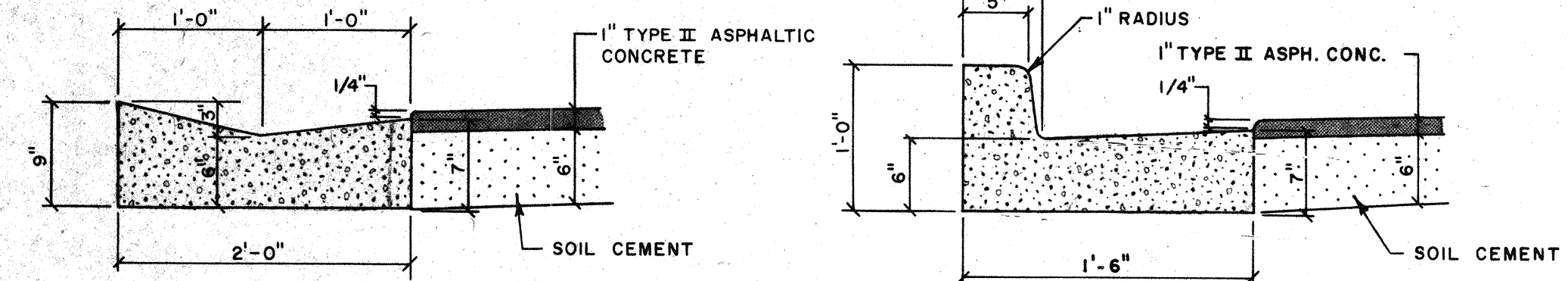
SECTION A-A

SCALE: 3/4" = 1'-0"



TYPICAL DROP INLET

SCALE: 1/2" = 1'-0"

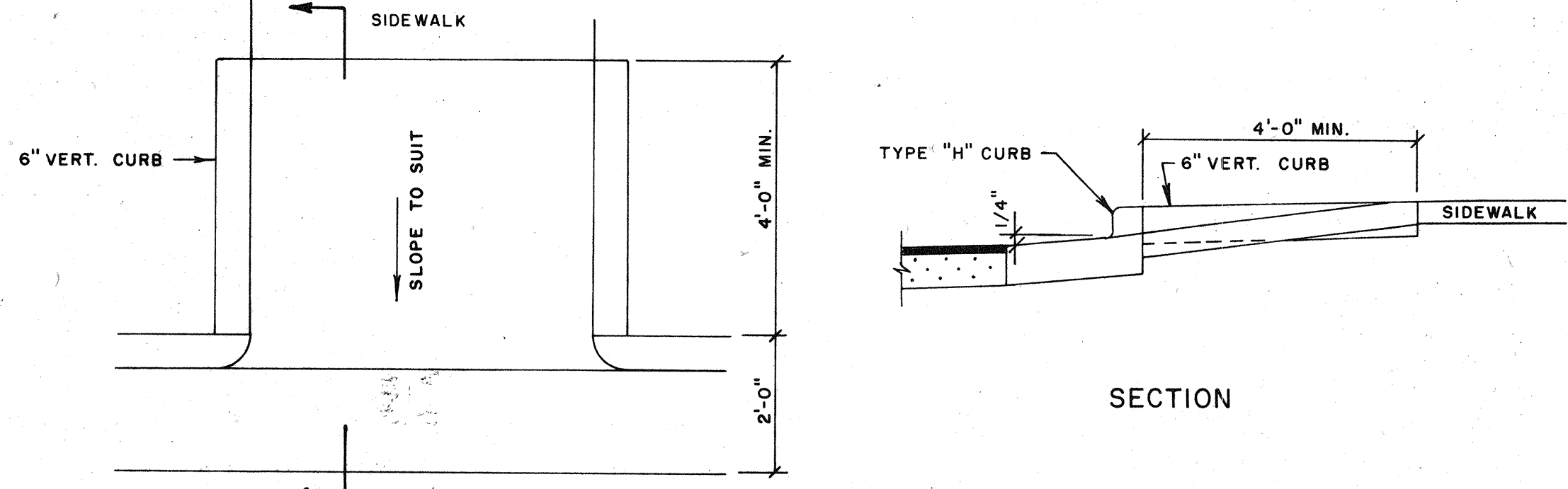


TYPE "K" CURB

SCALE: 1" = 1'-0"

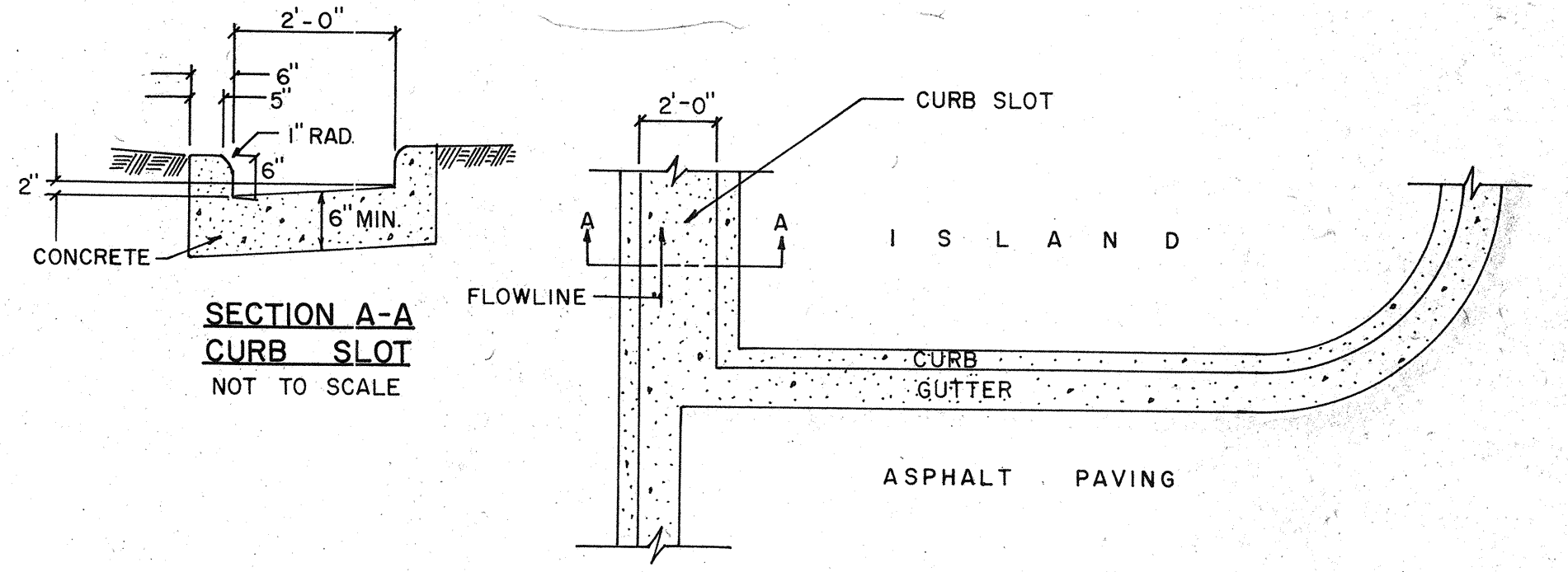
TYPE "H" CURB

SCALE: 1" = 1'-0"



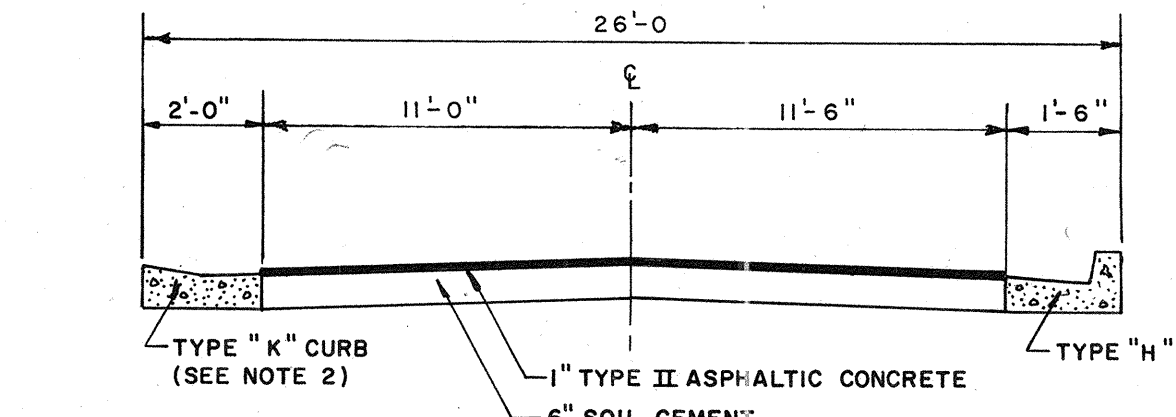
BICYCLE RAMP DETAIL

SCALE: 1/2" = 1'-0"



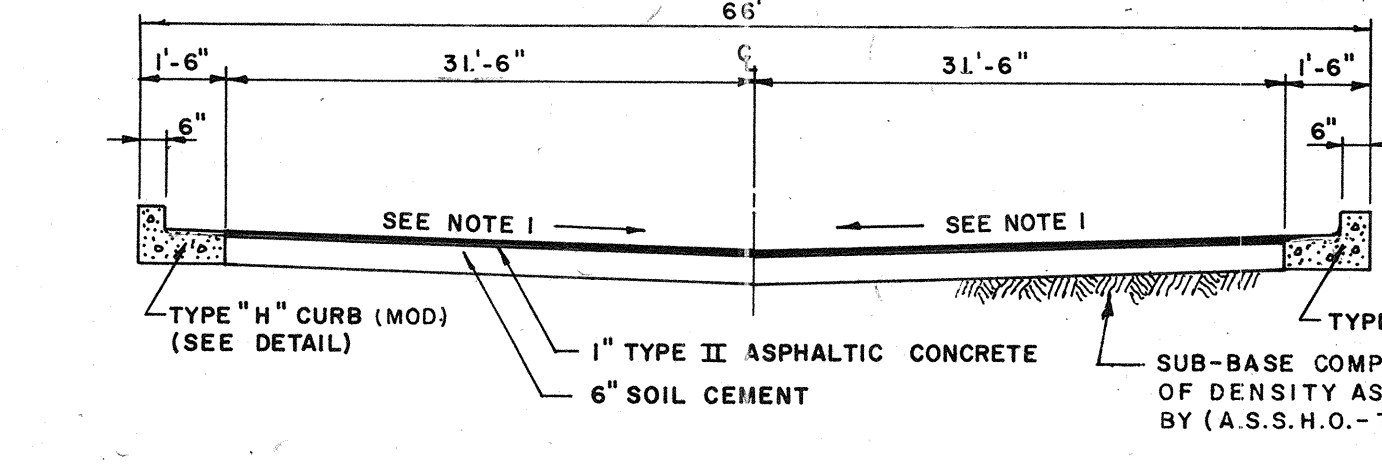
ISLAND CURB SLOT

SCALE: AS SHOWN



TYPICAL SECTION ② PERIPHERAL STREETS AND INTERNAL DRIVES

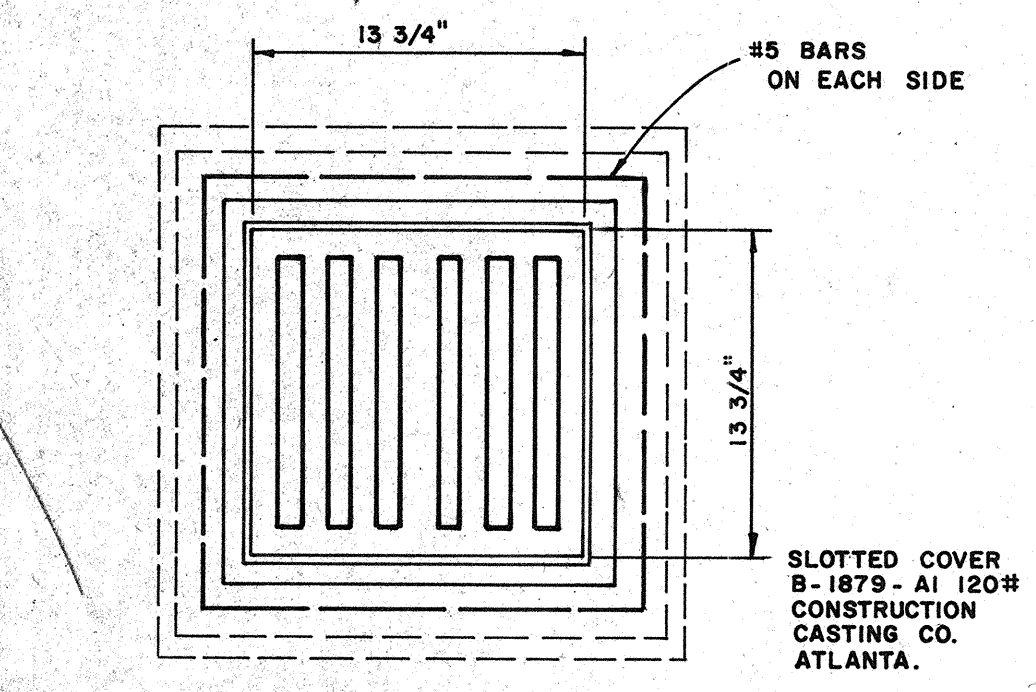
N.T.S.



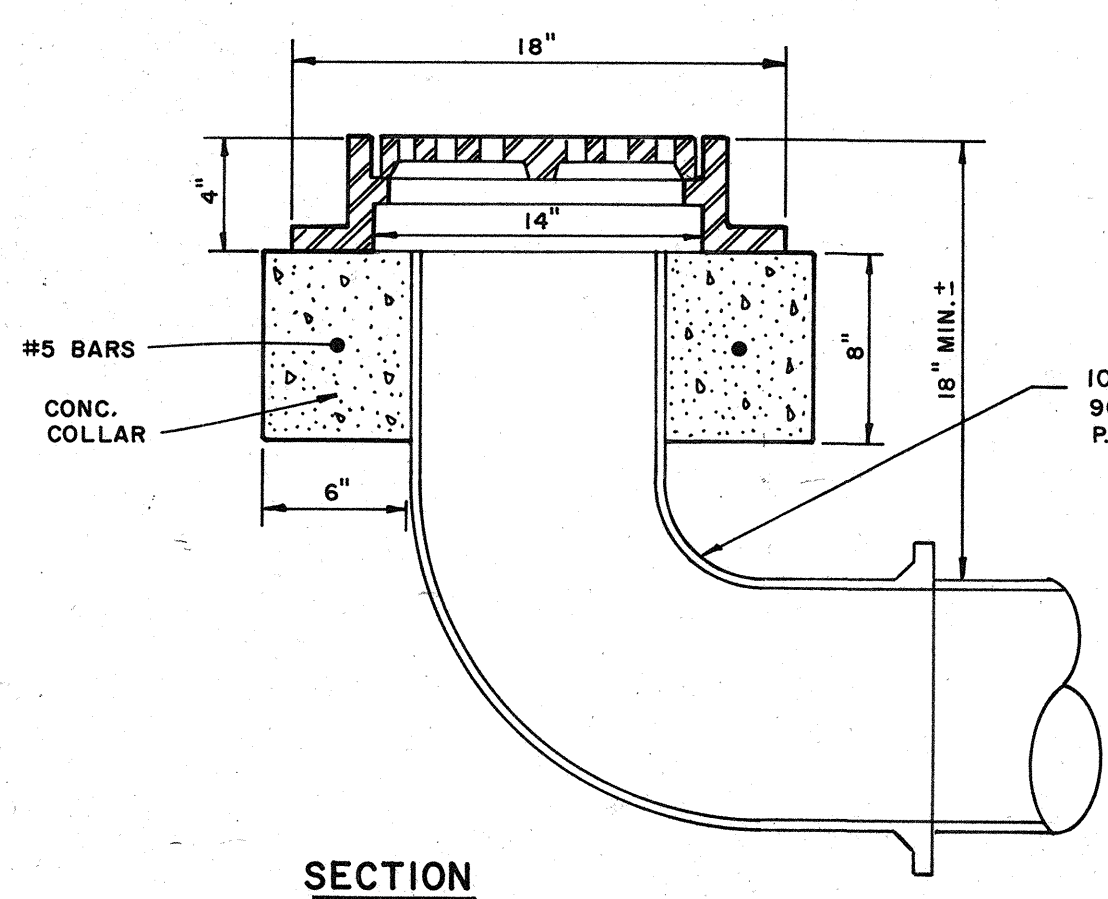
TYPICAL SECTION ① PARKING BAY

N.T.S.

CURBS POURED WITH CONTINUOUS PAVING MACHINE SHALL HAVE JOINTS SAW CUT EVERY 10' FOLLOWING COMPLETION OF POUR. CONSTRUCTION JOINTS SHALL BE 10' O.C. AND 1/2" PREMOLDED EXP. JOINTS AT 40' O.C.



PLAN



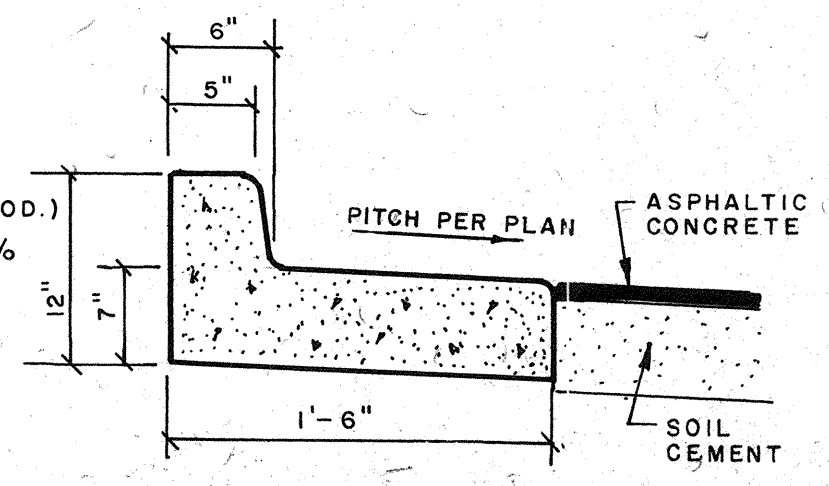
SECTION

PLANTED AREA DRAIN

N.T.S.

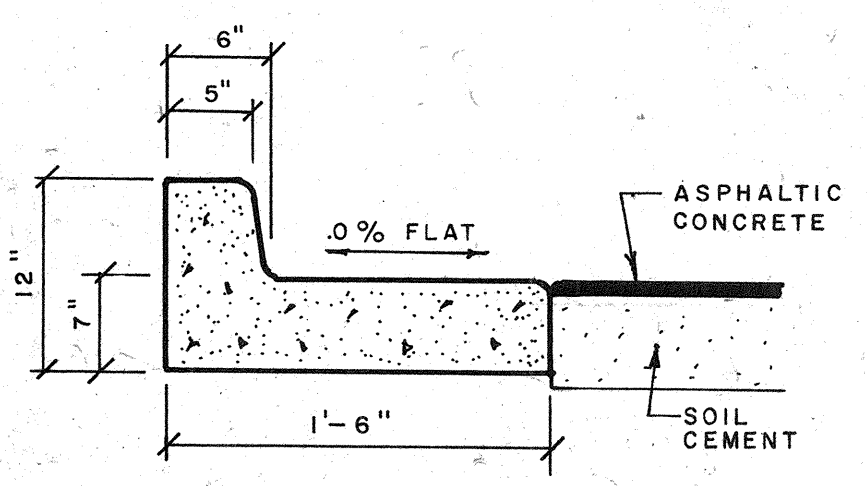
NOTES:

- 1/4" PER FOOT SLOPE OR AS SHOWN BY DETAIL SITE PLAN.
- SEE DETAIL SITE PLAN FOR STREETS REQUIRING TYPE "H" CURB.
- SEE TYPE "K" CURB THIS SHEET FOR DETAIL OF CONSTRUCTION.



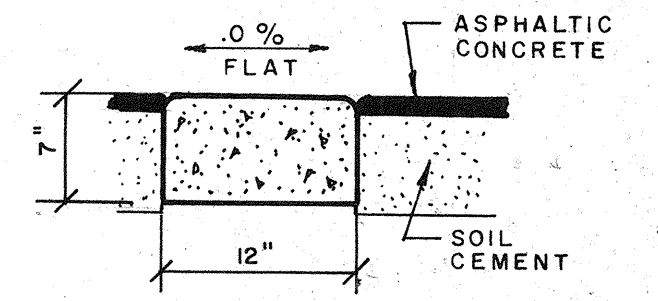
TYPE "H" CURB MODIFIED

SCALE: 1" = 1'-0"



TYPE "H" CURB FLUSH

SCALE: 1" = 1'-0"



TYPE "F" CURB

SCALE: 1" = 1'-0"

BENNETT & BISHOP CONSULTING ENGINEERS & SURVEYORS FLORIDA SARASOTA		ARVIDA CORPORATION TOWN PLAZA - PHASE II SARASOTA, FLORIDA	
DATE	SCALE	DESIGN	CHECK
SEPTEMBER 1982	AS SHOWN	M/K	R.A.B.
REVISIONS	DATE	DESCRIPTION	BY
1	1-5-85	ADDED CURB DETAILS	M.L.
2	3-8-82	ADDED TYPICAL DROP INLET DETAIL	M.L.
APPROVED BY		DATE	
[Signature]		[Signature]	
PAVING & DRAINAGE DETAILS			
DWG. NO. 191-58			