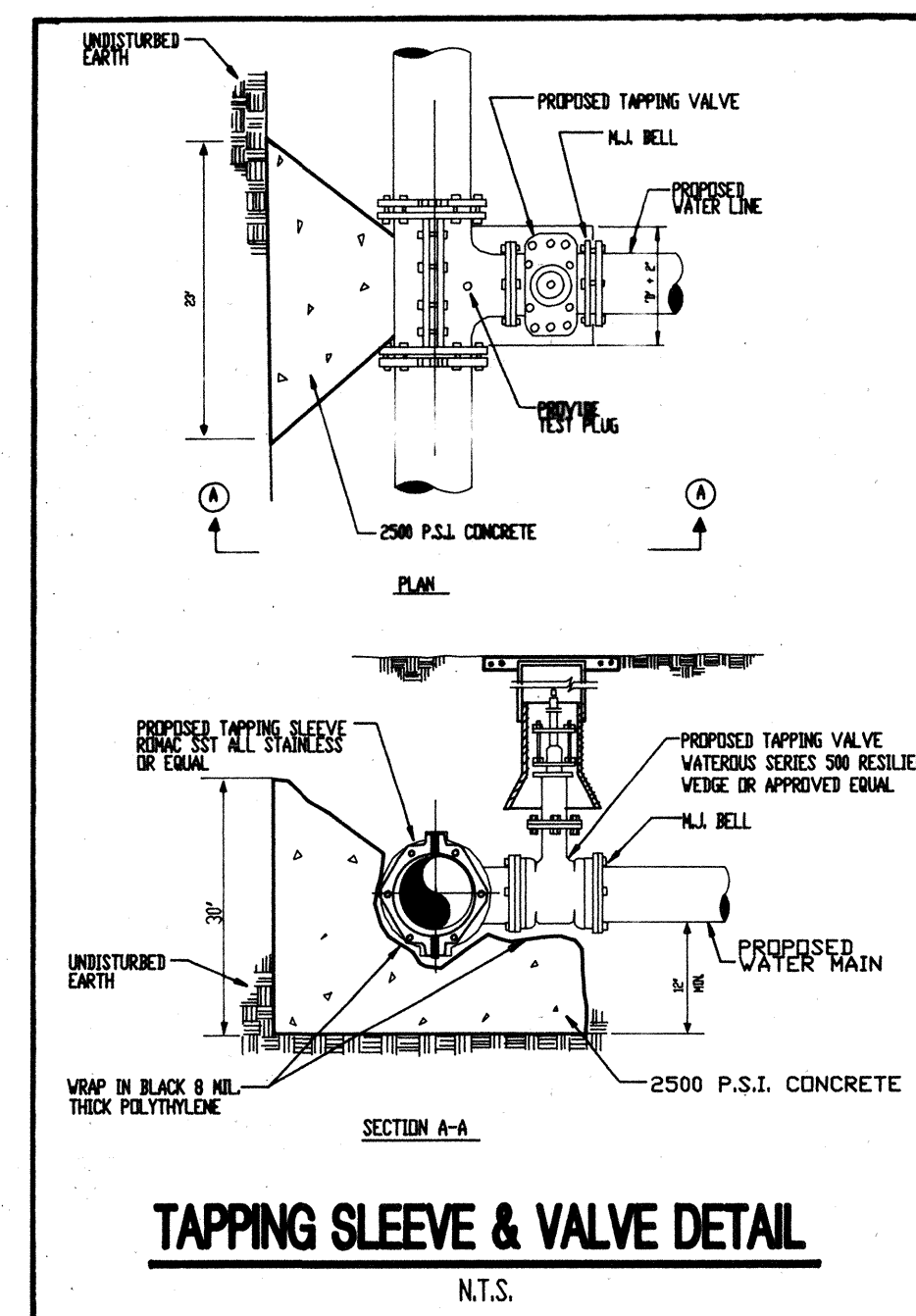


PIPE SIZE	2"	4"	6"	8"	10"	12"	14"	16"
A	1.0	1.0	2.0	3.0	4.5	6.5	8.5	11.0
B	1.0	1.0	1.5	2.5	3.5	5.0	6.5	8.5
C-20	1.0	1.0	2.5	4.0	6.5	9.0	12.0	15.5
C-45	1.0	1.0	1.5	2.5	3.5	5.0	6.5	8.5
C-22-1/2	1.0	1.0	1.0	1.5	2.0	2.5	3.5	4.5

- 1) CHART NUMBERS ARE SQUARE FEET BEARING ON UNDISTURBED MATERIAL.
- 2) POUR THRUST BLOCKS AGAINST UNDISTURBED MATERIAL WHERE TRENCH WALL HAS BEEN DISTURBED. EXCAVATE LOOSE MATERIAL AND EXTEND THRUST BLOCK TO UNDISTURBED MATERIAL, NO JOINTS SHALL BE COVERED WITH CONCRETE.
- 3) CONCRETE SHALL BE 2500 P.S.I.
- 4) WHERE THRUST BLOCK IS NOT PRACTICAL DUE TO SOIL CONDITIONS, A HARNESING DETAIL SHALL BE SUBMITTED TO THE ENGINEER OF RECORD FOR APPROVAL.
- 5) DUCTILE IRON FITTINGS SHALL BE WRAPPED IN BLACK 8 MIL POLYETHYLENE.
- 6) THRUST BLOCK SIZES ARE FROM SARASOTA COUNTY STANDARD DETAILS.

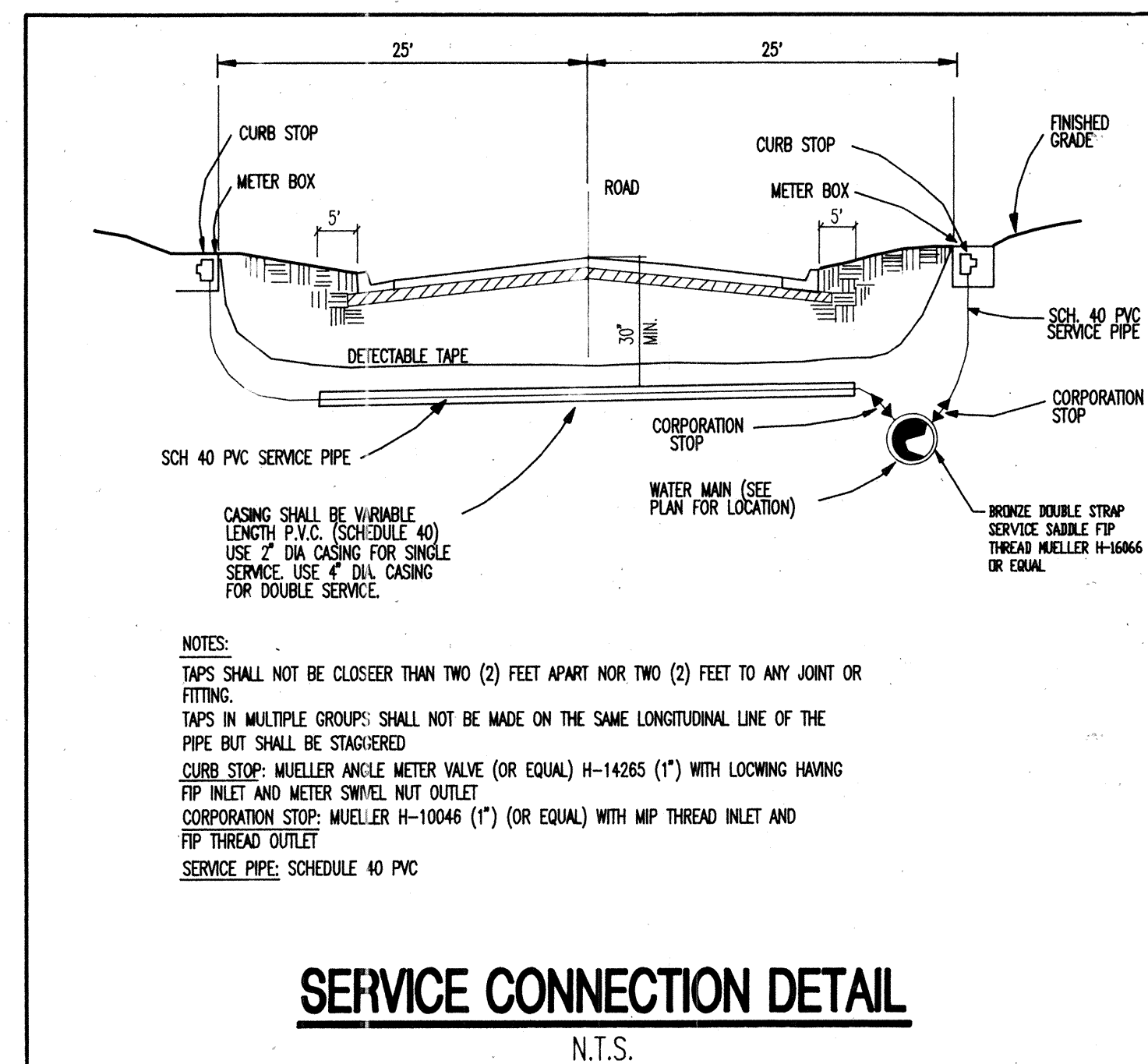
THRUST BLOCKS

N.T.S.



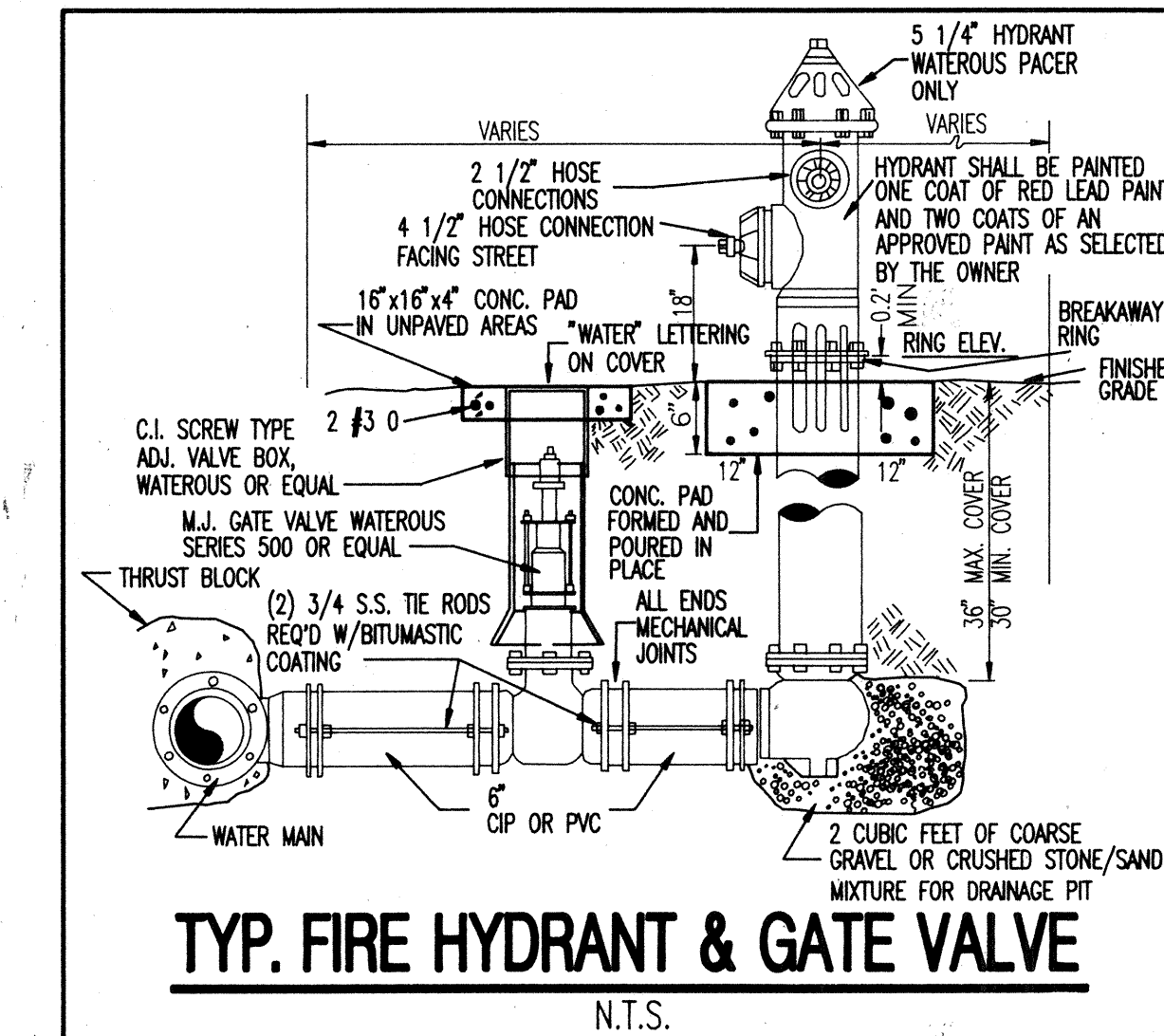
TAPPING SLEEVE & VALVE DETAIL

N.T.S.



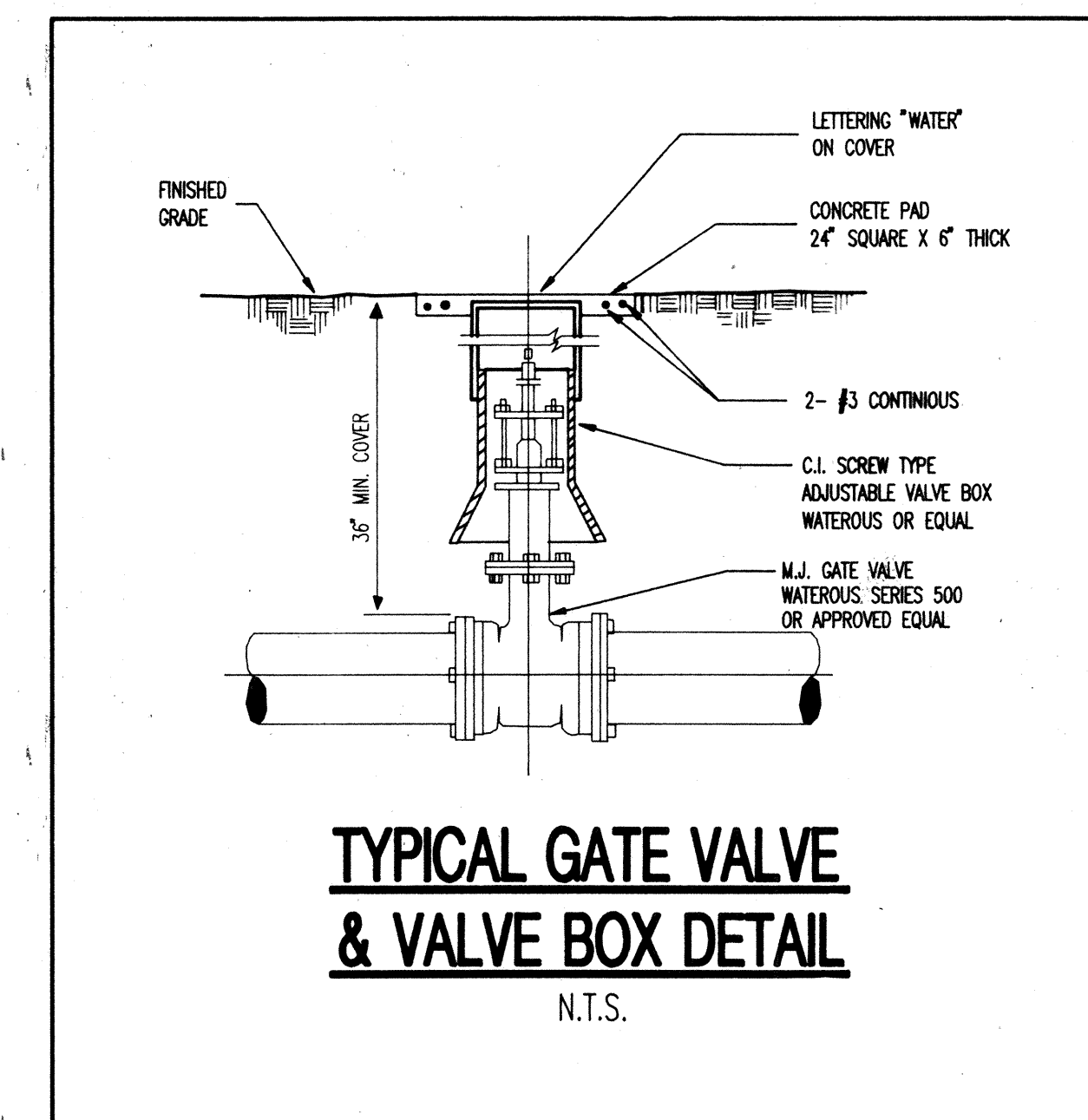
SERVICE CONNECTION DETAIL

N.T.S.



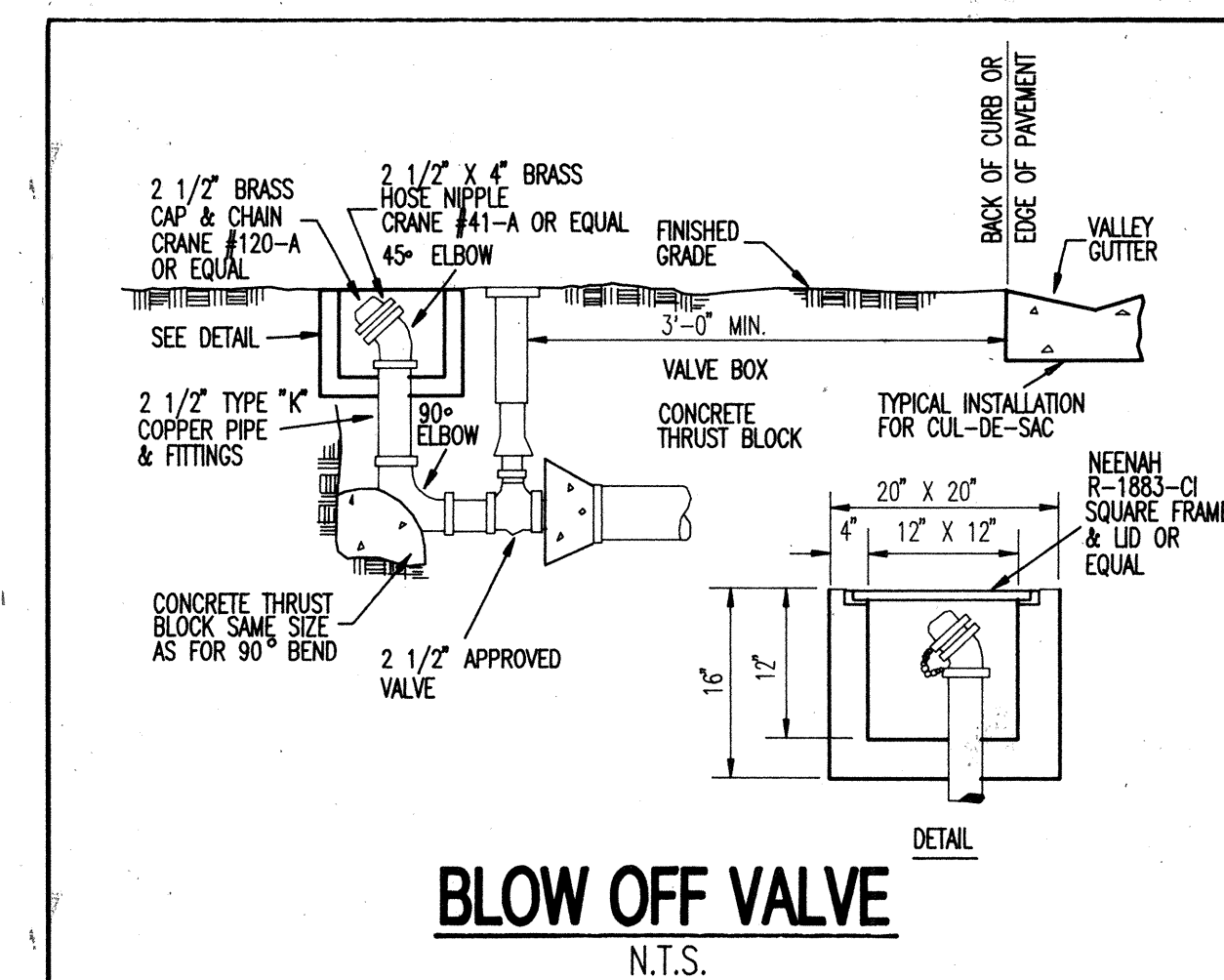
TYP. FIRE HYDRANT & GATE VALVE

N.T.S.



TYPICAL GATE VALVE & VALVE BOX DETAIL

N.T.S.



BLOW OFF VALVE

N.T.S.

APPROVED

 P.E. No. 33105
 Date 12/04/27
 P.I. No. ST088
 CAD DWG. S1068WD

MJR

MINDER & RHODES ENGINEERING CORPORATION
 Engineers - Planners - Surveyors
 3900 CLARK ROAD
 SARASOTA, FL 34233
 (813) 555-1144
 Designated WBH Checked N/A Approved
 Drawn DBH Scale N/A Date 07/30/92

REVISIONS

No.	Date	REUSE PER TOWN OF LONGBOAT KEY REVIEW	By
1	10/7/92		

**WESTON POINTE
LONGBOAT KEY**

SARASOTA COUNTY, FLORIDA

WATER DISTRIBUTION SYSTEM DETAILS