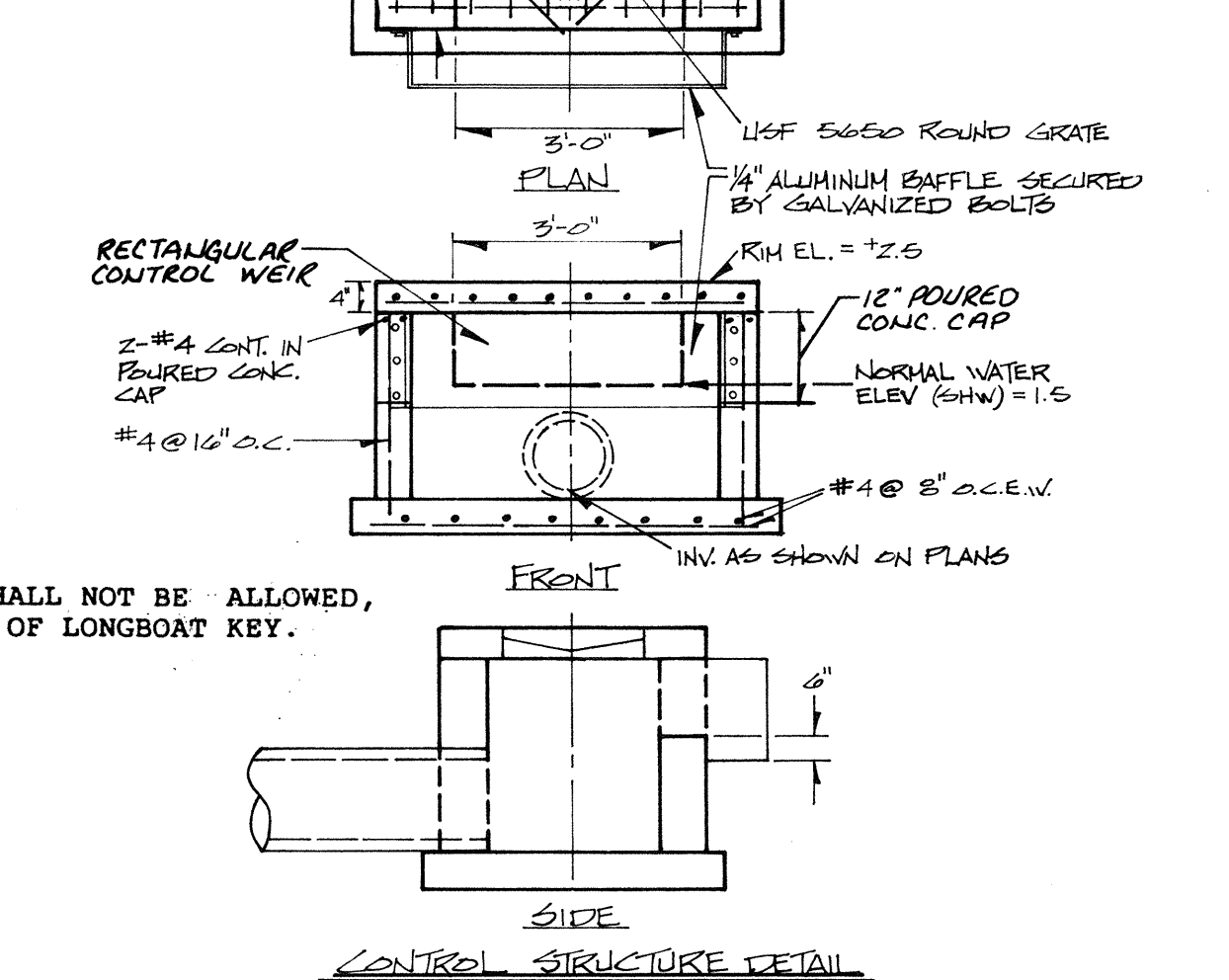
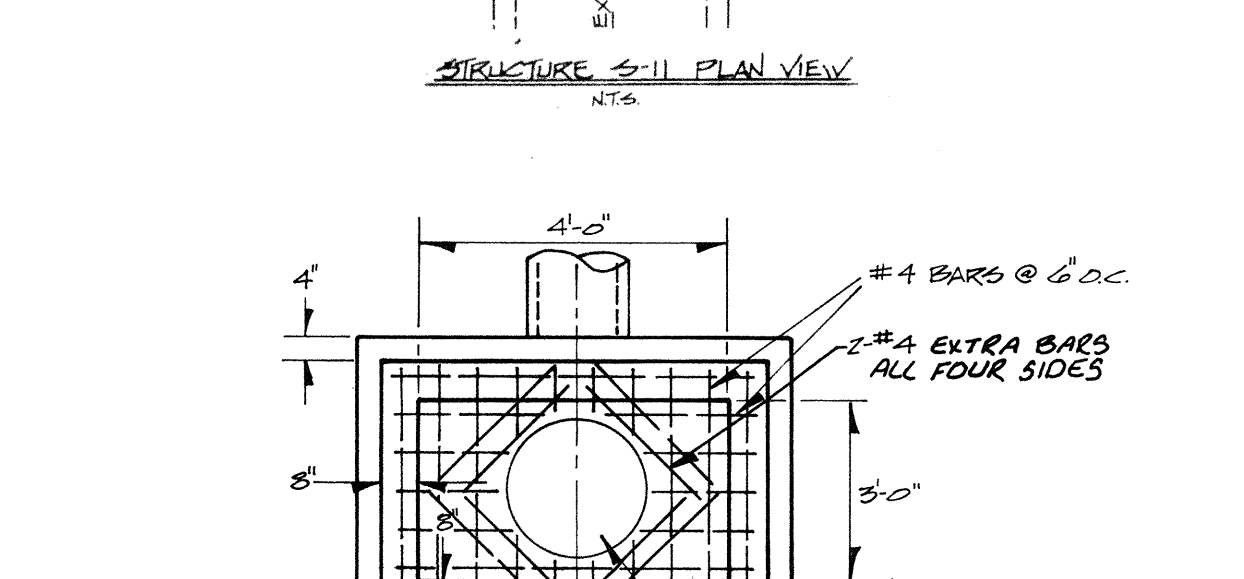
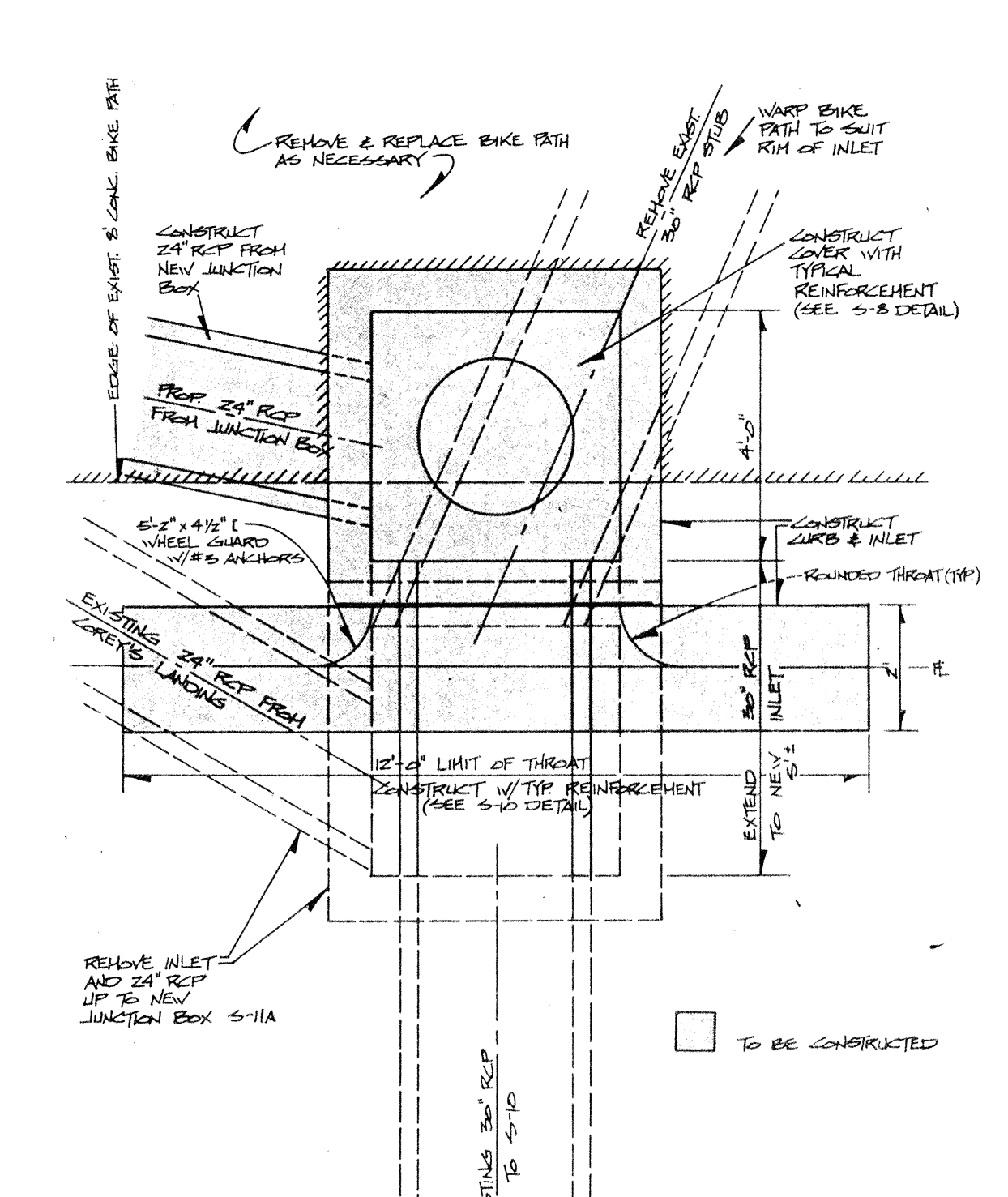
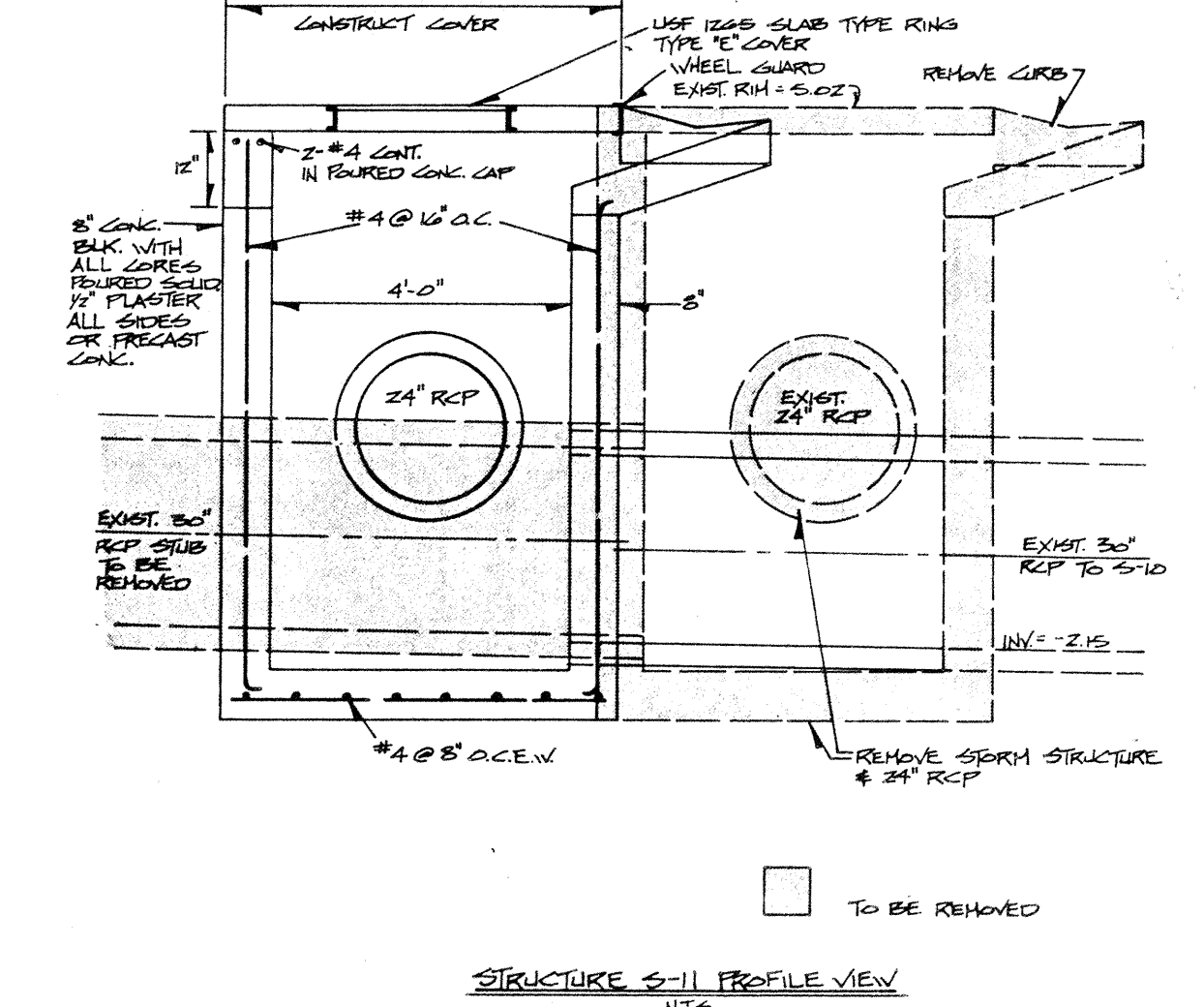
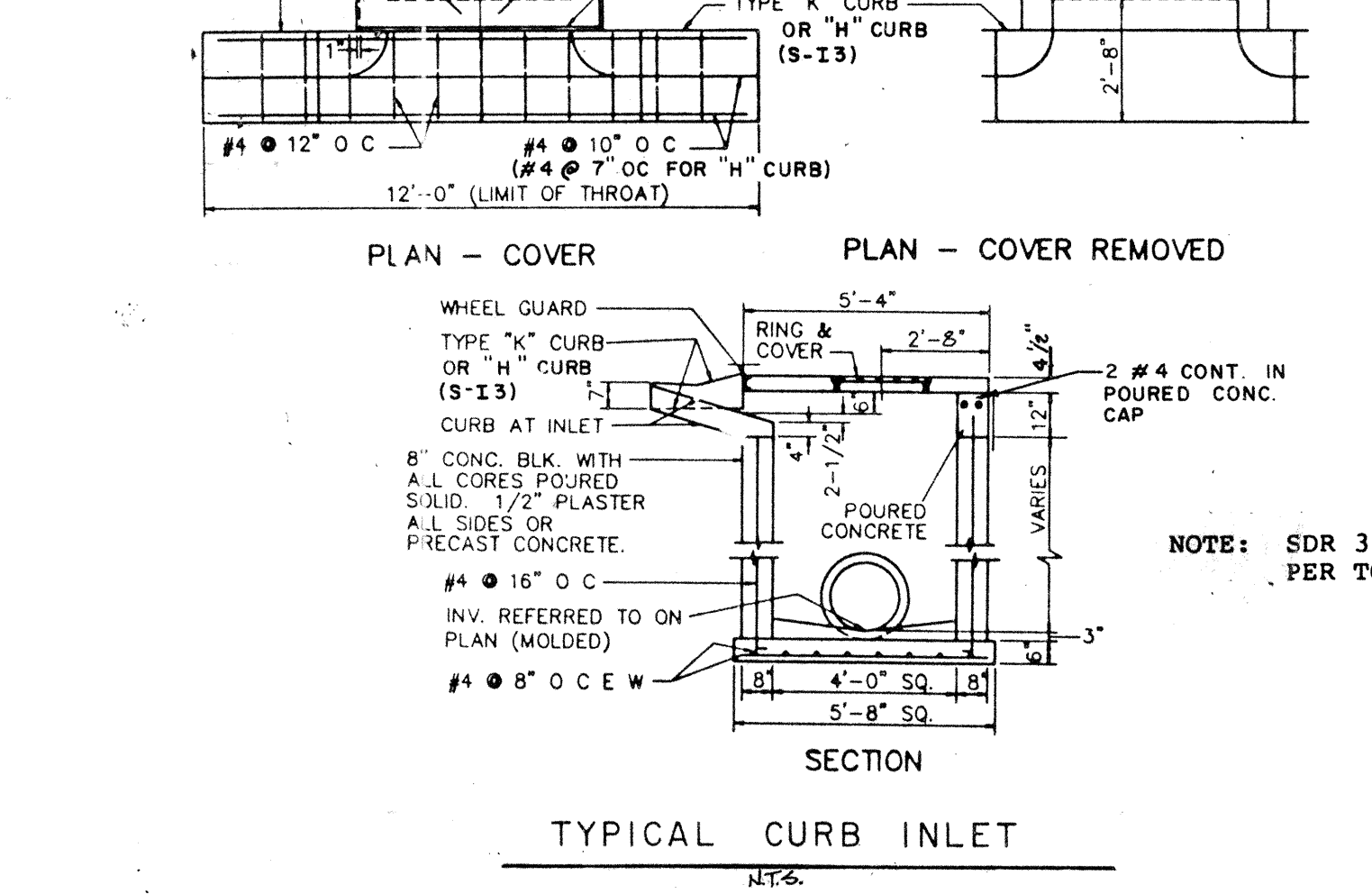
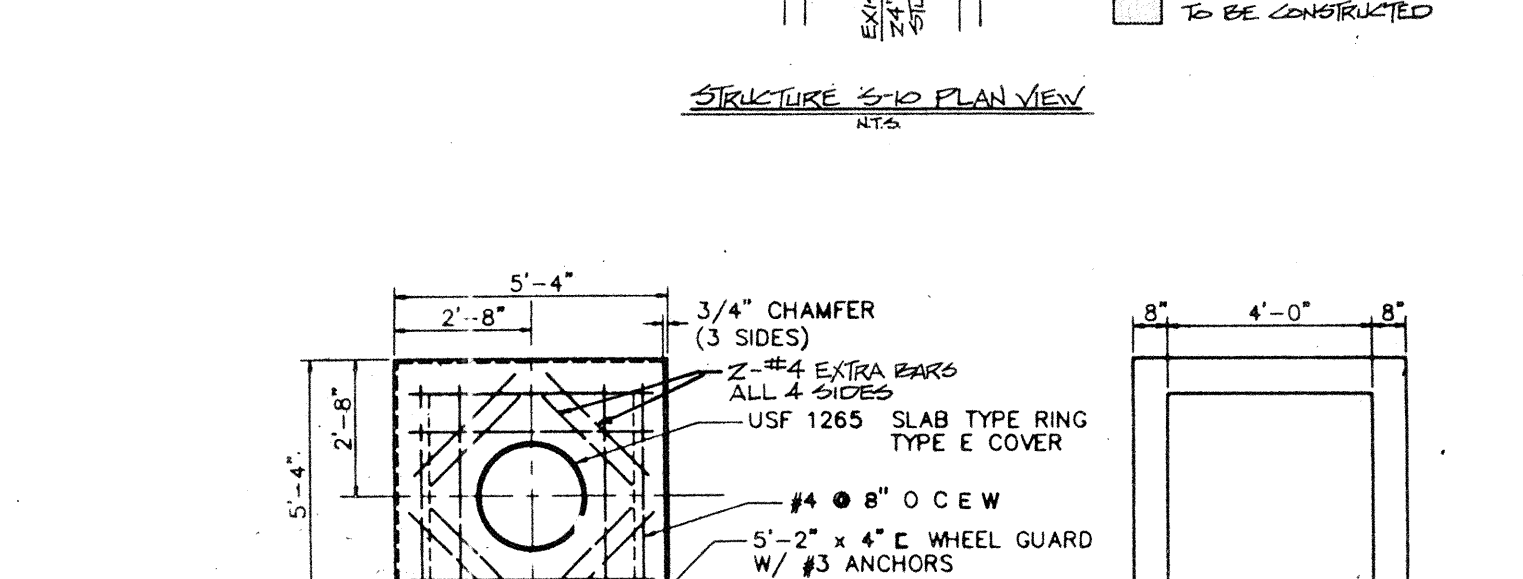
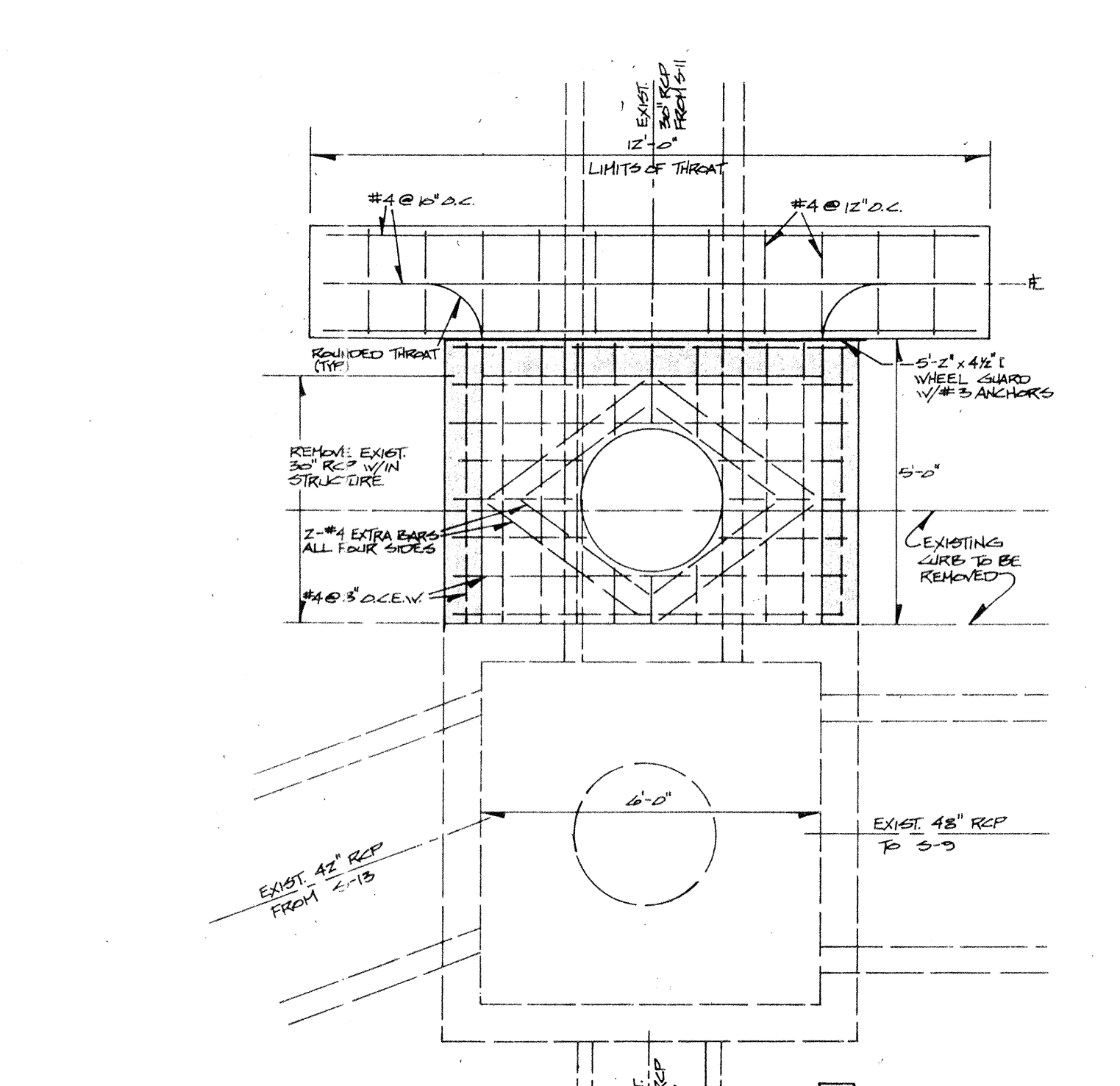
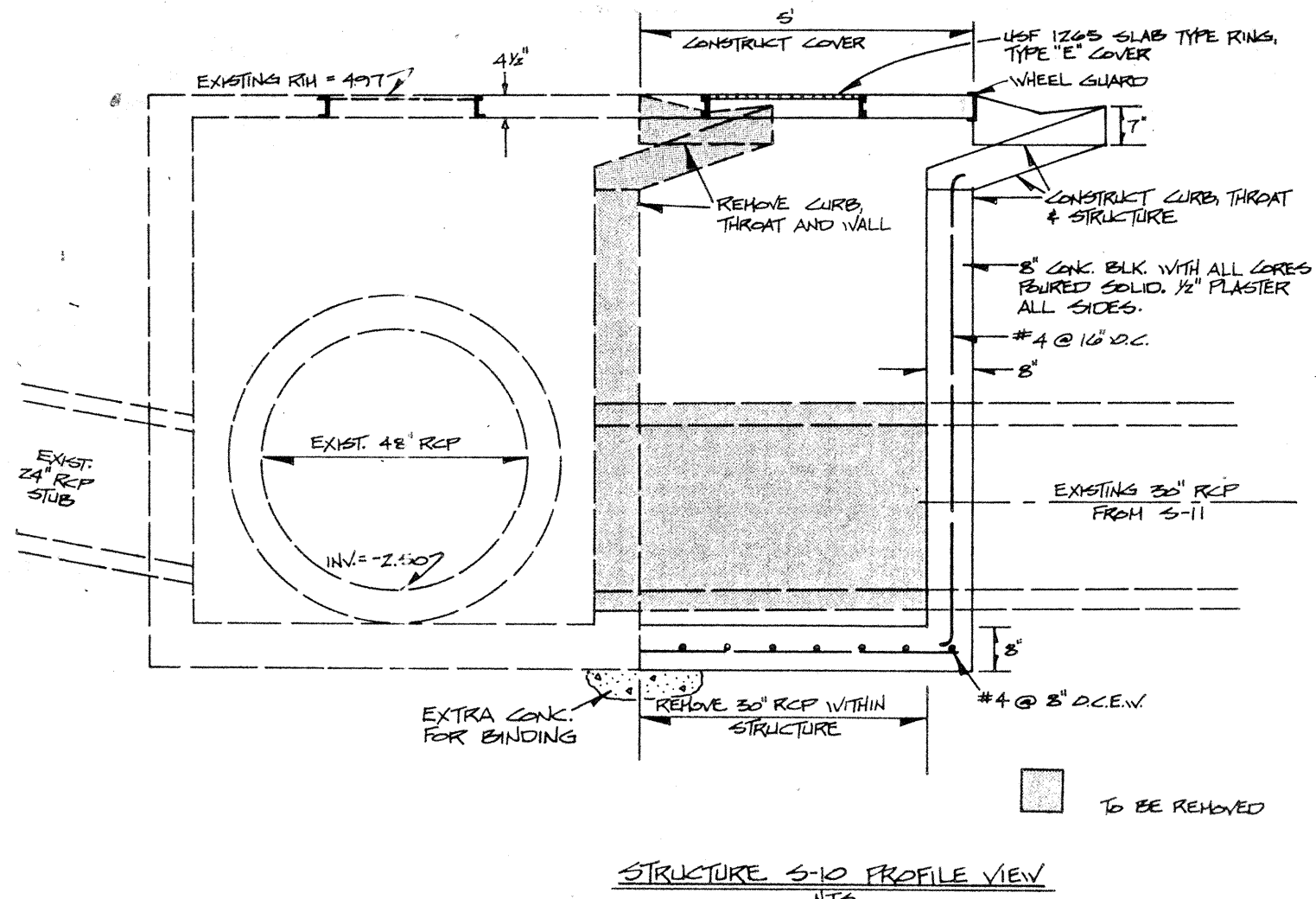
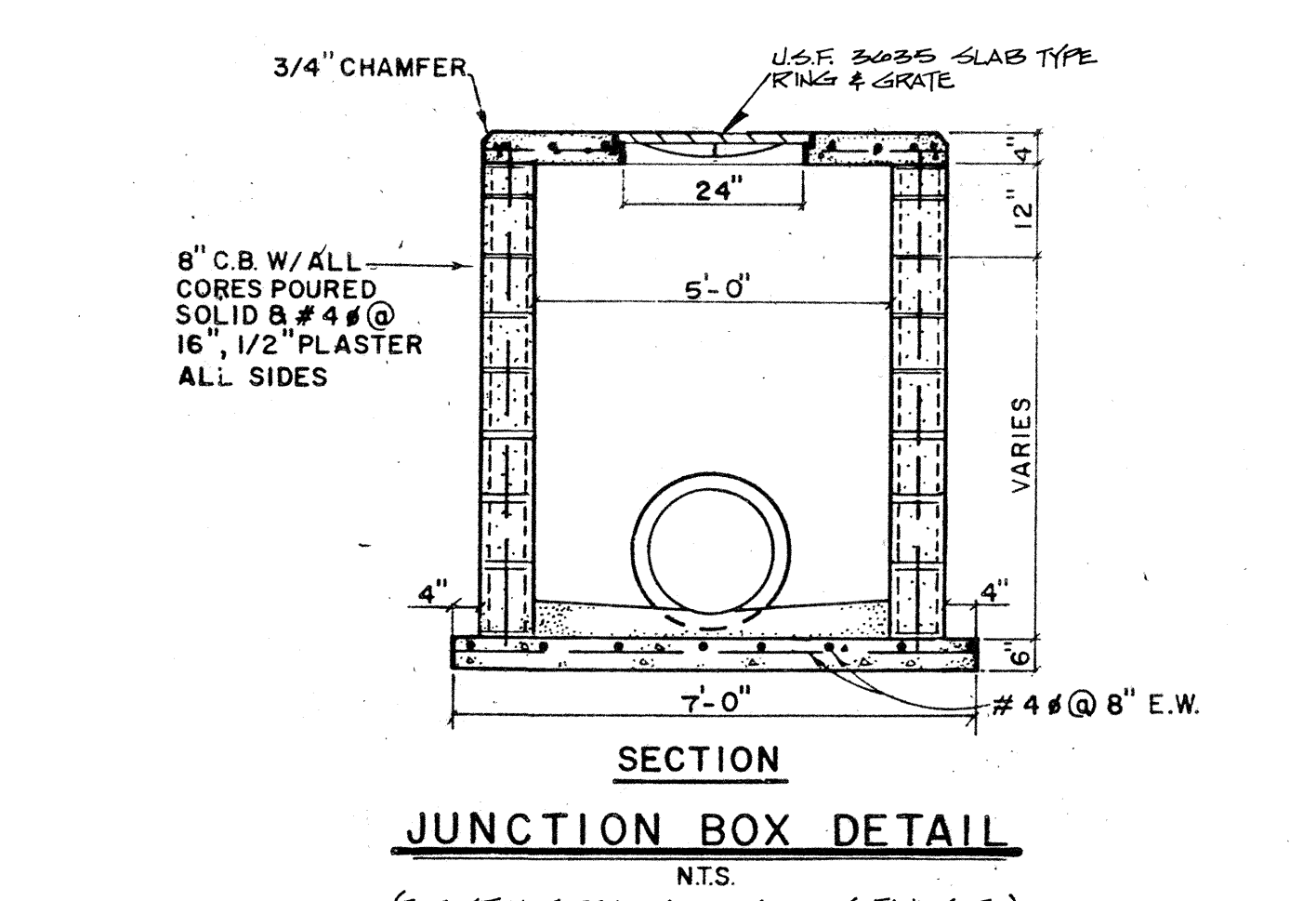
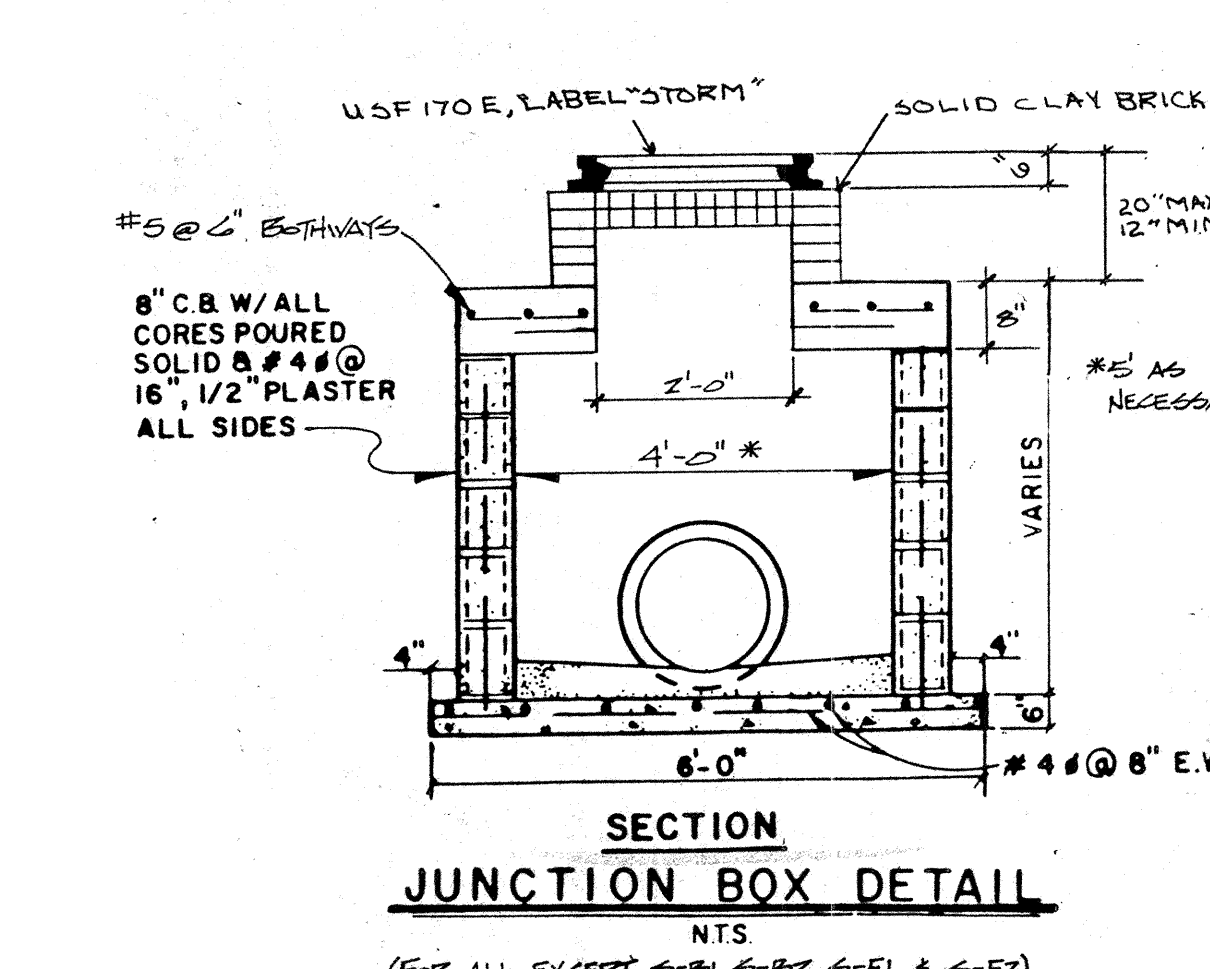
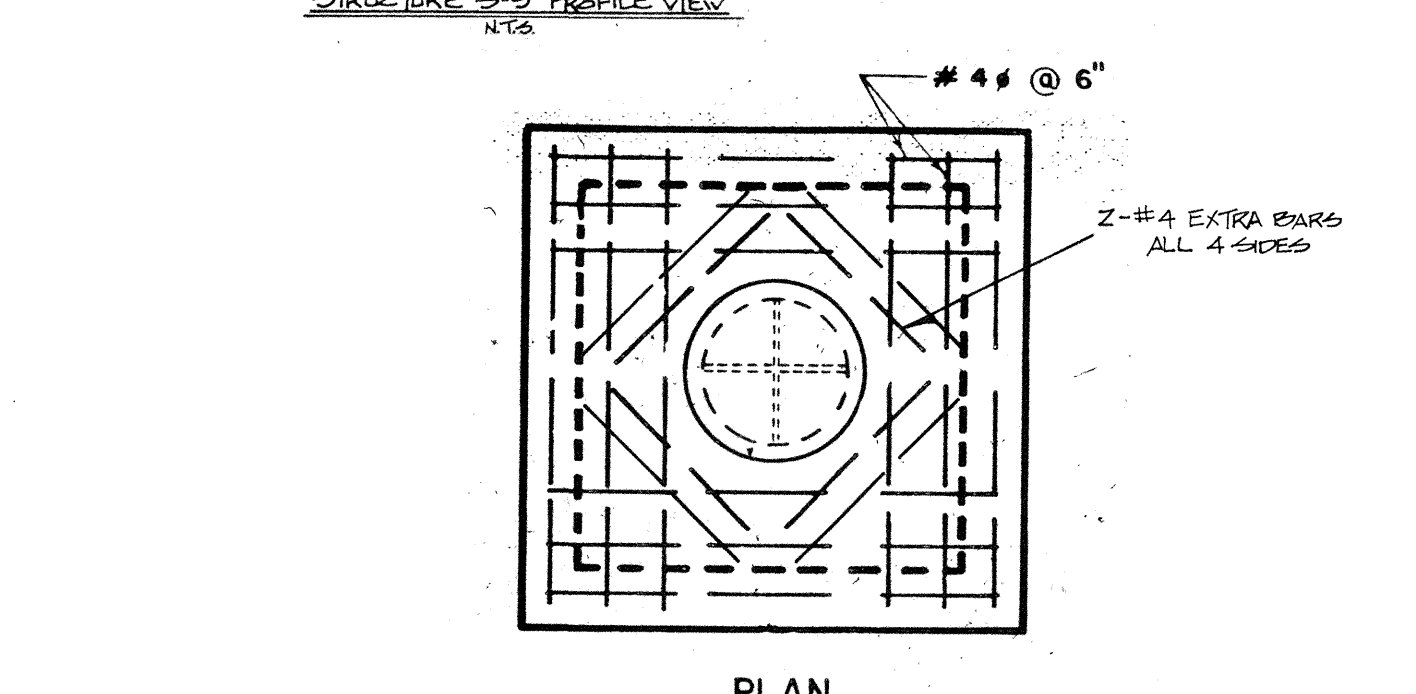
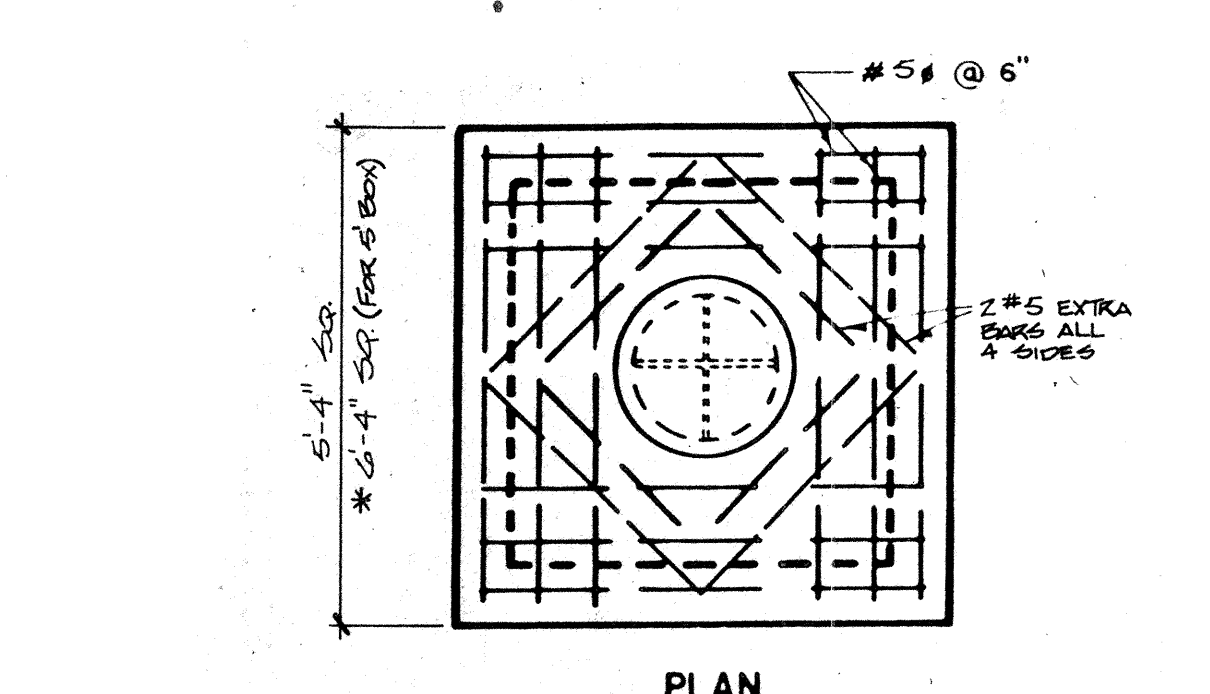
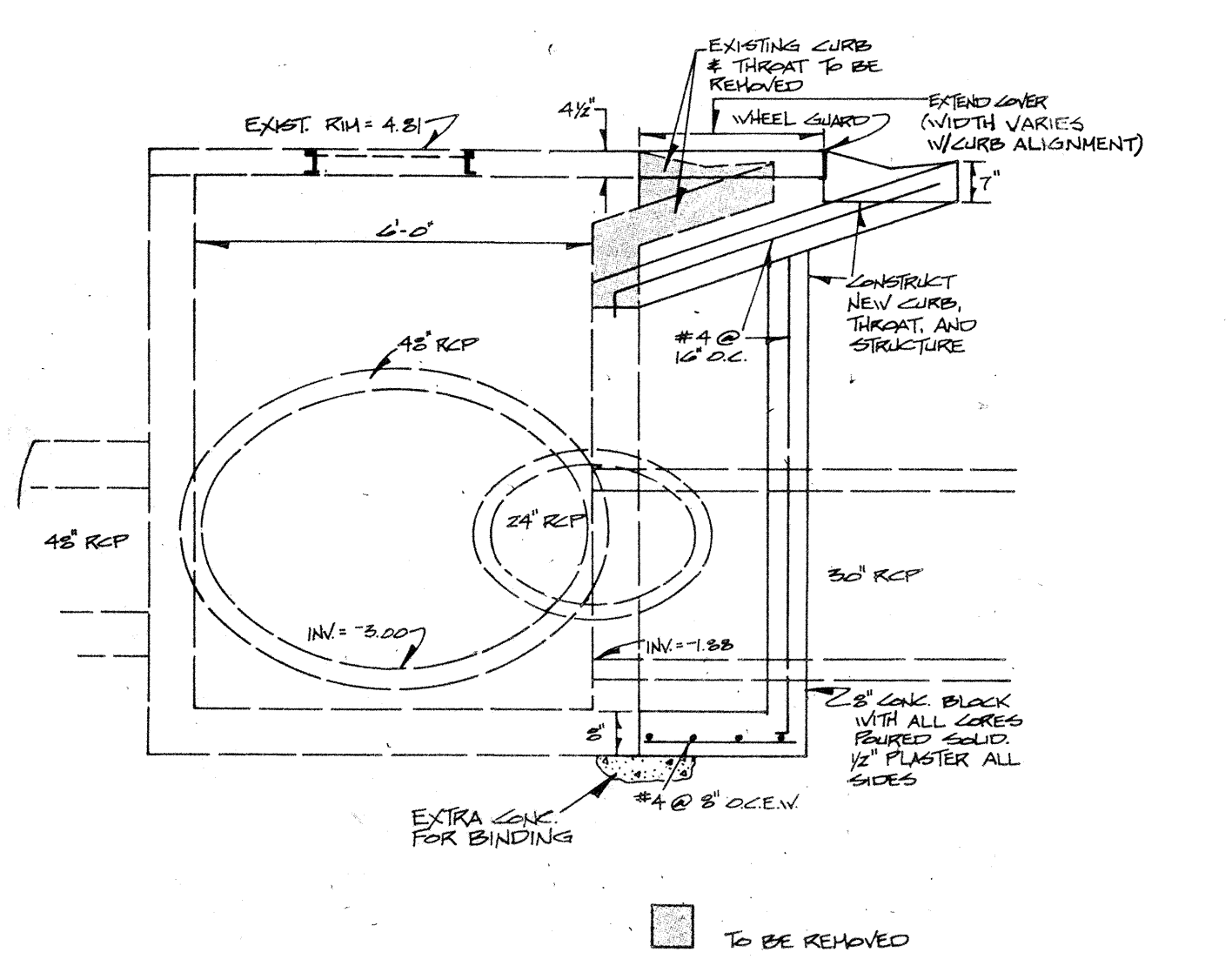
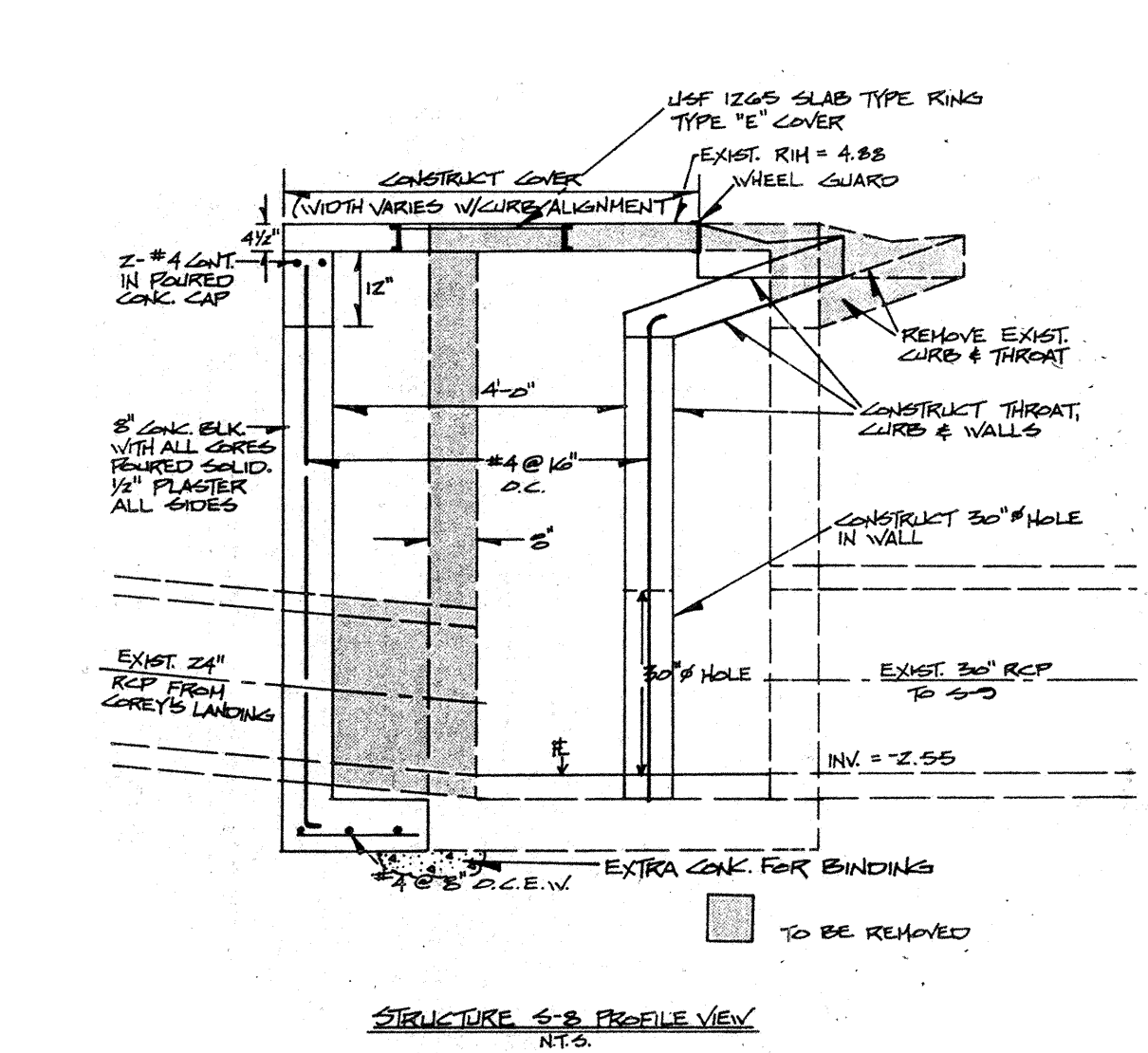
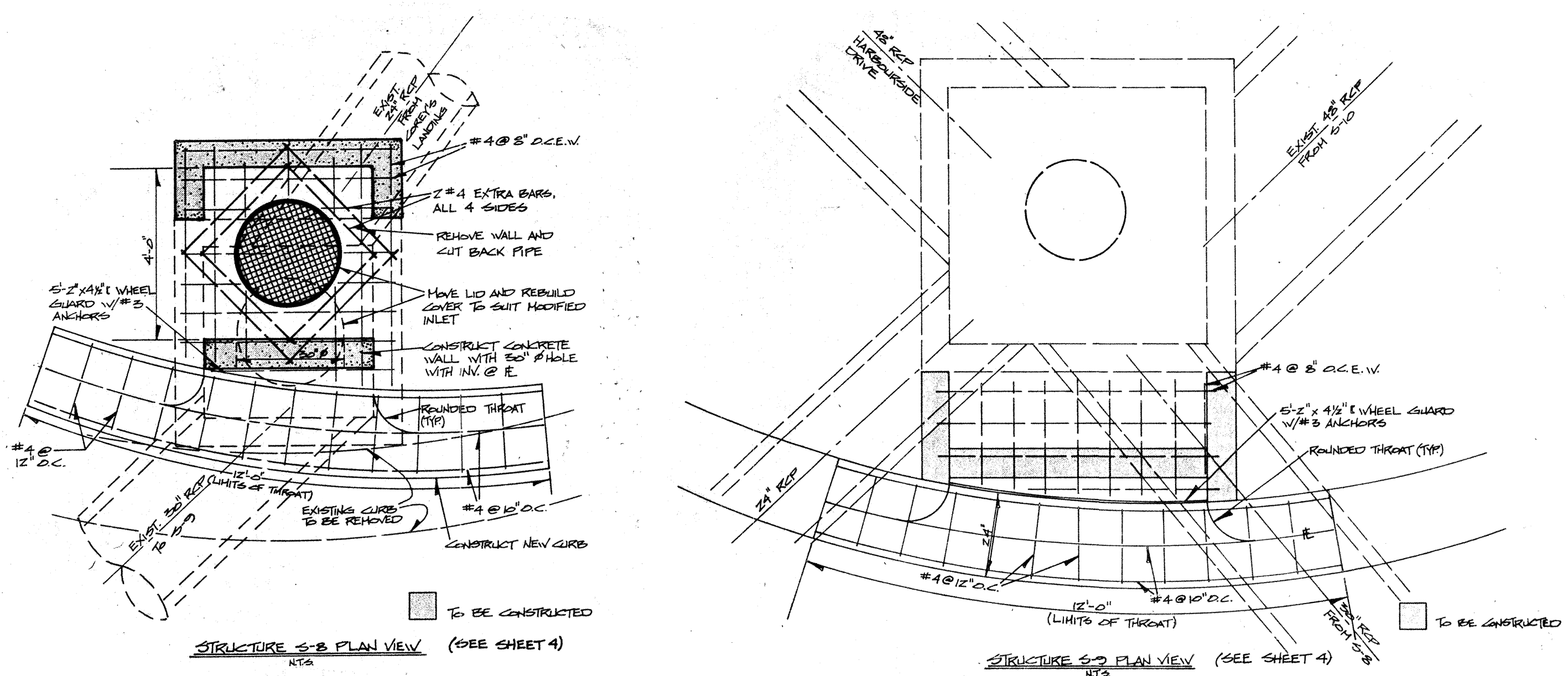


CLIENT / TITLE: PROJECT NO: SHEET NO: REV. DATE: SCALE:



STORM SEWER PIPE SCHEDULE											
STR. NO.	TYPE	RIM EL.	INV. IN	INV. OUT	FROM - TO	LENGTH	SIZE AND TYPE	GRADE			
S-11	CURB INLET	5.43	-0.24	-2.15			24" REP	0.375			
S-11A	JUNCTION BOX	5.60	-0.20	-0.20	S-11	S-11A	32 LF	24" REP	0.100		
S-11	JUNCTION BOX	5.54	-0.05	-2.36			30" REP	0.005			
S-12	CURB INLET	5.43	-0.05	-0.05			30" REP	0.150			
S-12	JUNCTION BOX	5.63	0.06	0.06	S-12	S-12	78 LF	30" REP	0.100		
S-13	JUNCTION BOX	6.06	0.18	0.18	S-13	S-13	117 LF	24" REP	0.100		
S-14	CURB INLET	5.43	0.35	0.35			30" REP	0.100			
S-14	JUNCTION BOX	5.43	0.35	0.35	S-14	S-14	175 LF	24" REP	0.100		
S-15	CURB INLET	5.43	0.40	0.40			30" REP	0.150			
S-15	JUNCTION BOX	5.43	0.40	0.40	S-15	S-15	32 LF	18" REP	0.150		
S-16	CURB INLET	5.43	0.95	-0.05			30" REP	0.150			
S-16	JUNCTION BOX	5.43	1.00	1.00	S-16	S-16.1	34 LF	18" REP	0.150		
S-17	JUNCTION BOX	5.63	1.06	0.06			24" REP	0.100			
S-17	JUNCTION BOX	5.63	1.06	0.06	S-17	S-17.1	107 LF	24" REP	0.100		
S-18	CURB INLET	5.16	1.17	1.17			30" REP	0.150			
S-18	JUNCTION BOX	5.16	1.22	1.22	S-18.1	S-18.2	33 LF	18" REP	0.150		
S-19	CURB INLET	5.16	1.22	1.22			30" REP	0.150			
S-20	JUNCTION BOX	2.30	-2.00	-2.00			30" REP	0.005			
S-20	JUNCTION BOX	2.30	-2.00	-2.00	S-20	S-20	75 LF	30" REP	0.005		
S-21	CURB INLET	5.43	1.00	1.00			30" REP	0.005			
S-21	JUNCTION BOX	5.43	1.00	1.00	S-21	S-21	36 LF	30" REP	0.005		
S-22	CURB INLET	5.43	1.00	1.00			30" REP	0.005			
S-22	JUNCTION BOX	2.50	1.00	1.00	S-22	S-22	113 LF	30" REP	0.005		
S-23	FLARED END	-0.50			S-23	S-23	180 LF	24" REP	0.515		
S-24	CURB INLET	5.43	1.00	1.00			24" REP	0.300			
S-24	CURB INLET	5.43	1.00	1.00	S-24	S-24	125 LF	24" REP	0.300		
S-25	CURB INLET	5.43	1.06	1.06			18" REP	0.150			
S-25	CURB INLET	5.43	1.00	1.00	S-25	S-25	39 LF	18" REP	0.150		
S-26	CURB INLET	5.43	1.00	1.00			18" REP	0.150			
S-26	CURB INLET	5.43	1.00	1.00	S-26	S-26.1	30 LF	18" REP	0.150		
S-27	FLARED END	-0.50			S-27	S-27	170 LF	24" REP	0.725		
S-28	CURB INLET	5.43	1.27	0.77			24" REP	0.100			
S-28	CURB INLET	5.43	1.27	0.77	S-28	S-28	31 LF	24" REP	0.100		
S-29	CURB INLET	5.43	1.30	1.30			24" REP	0.100			
S-30	CURB INLET	5.43	1.30	1.30			24" REP	0.500			
S-31	JUNCTION BOX	6.70	0.32	-0.31			30" REP	0.500			
S-32	JUNCTION BOX	5.90	1.54	0.90			24" REP	0.500			
S-33	CURB INLET	5.43	1.95	1.90			24" REP	0.005			
S-33	CURB INLET	5.43	1.95	1.90	S-33	S-33.1	39 LF	18" REP	0.005		
S-34	CURB INLET	5.43	1.95	1.90			18" REP	0.001			
S-34	CURB INLET	5.43	1.95	1.90	S-34	S-34.1	39 LF	18" REP	0.001		
S-35	JUNCTION BOX	4.00	-0.85	-2.56			30" REP	0.001			
S-35	JUNCTION BOX	4.10	-0.85	-0.85	S-35	S-35	87 LF	30" REP	0.001		
S-36	CURB INLET	5.43	-0.85	-0.85			30" REP	0.001			
S-36	CURB INLET	5.43	-0.85	-0.85	S-36	S-36	170 LF	30" REP	0.001		
S-37	CURB INLET	5.43	-0.68	-0.85			24" REP	0.001			
S-37	CURB INLET	5.43	-0.68	-0.85	S-37	S-37	42 LF	24" REP	0.001		
S-38	CURB INLET	5.43	0.00	0.00			18" REP	0.500			
S-38	CURB INLET	5.43	0.00	0.00	S-38	S-38	35 LF	18" REP	0.500		
S-39	FLARED END	-0.50			S-39	S-39	175 LF	24" REP	0.150		
S-40	CURB INLET	5.43	-2.10	-2.10			24" REP	0.005			
S-40	CURB INLET	5.43	-2.10	-2.10	S-40	S-40	35 LF	18" REP	0.005		
S-41	FLARED END	-0.50			S-41	S-41	139 LF	24" REP	0.825		
S-42	CURB INLET	5.43	1.45	0.95			30" REP	0.005			
S-42	CURB INLET	5.43	1.45	0.95	S-42	S-42	31 LF	30" REP	0.005		
S-43	CURB INLET	5.60	1.50	1.50			30" REP				

WILLIAM F. BISHOP & ASSOCIATES, INC. CONSULTING ENGINEERS • SURVEYORS
 78 Sarasota Center Boulevard Sarasota, Florida 34240 (813) 371-6362

REVISED	BY	DATE	DESCRIPTION

DATE	SCALE	DESIGN	DRAWN	CHECKED	APPROVED
DEC 1989	AS SHOWN	STAFF	STAFF	STAFF	STAFF

CLIENT/TITLE: LONGBOAT KEY
 MANCHESTER BAY DIAMOND - CARVER, INC.
 DRAINAGE DETAILS

PROJECT NO. DBDS-0018
 SHEET NO. 21