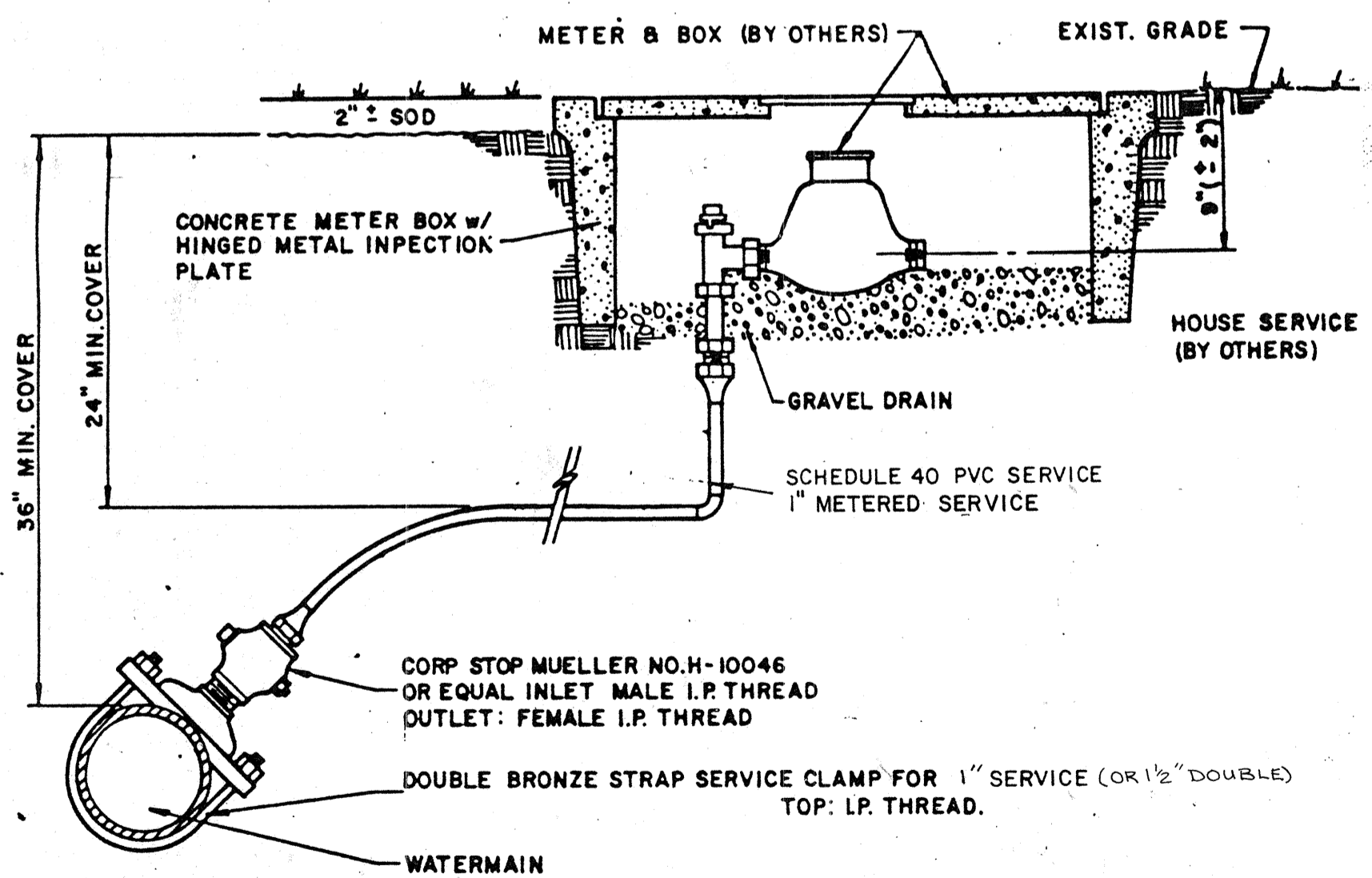
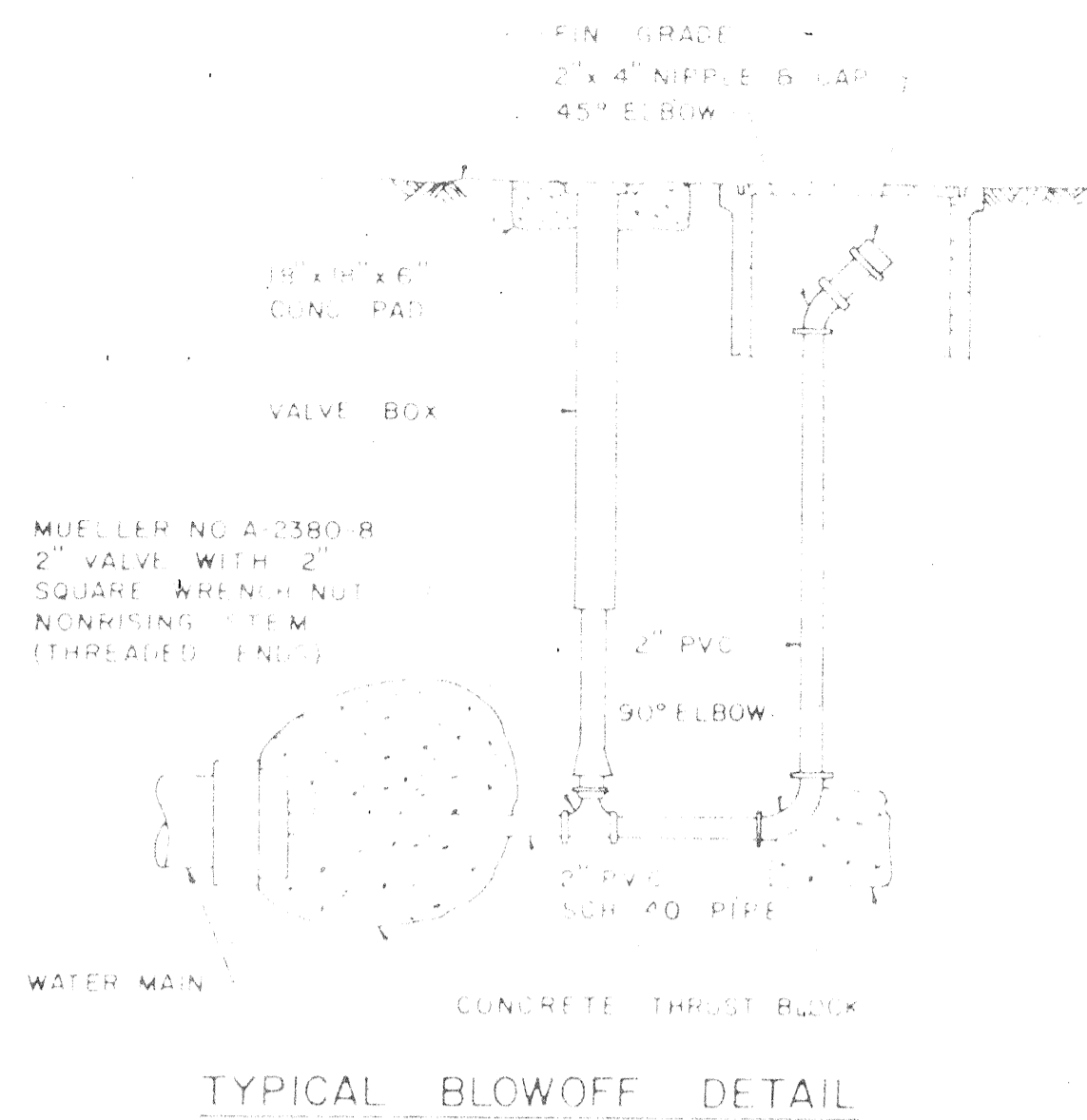


TYPICAL PLAN METERED SERVICE
N.T.S.



PROFILE
TYPICAL METERED SERVICE
NO SCALE



TYPICAL BLOWOFF DETAIL

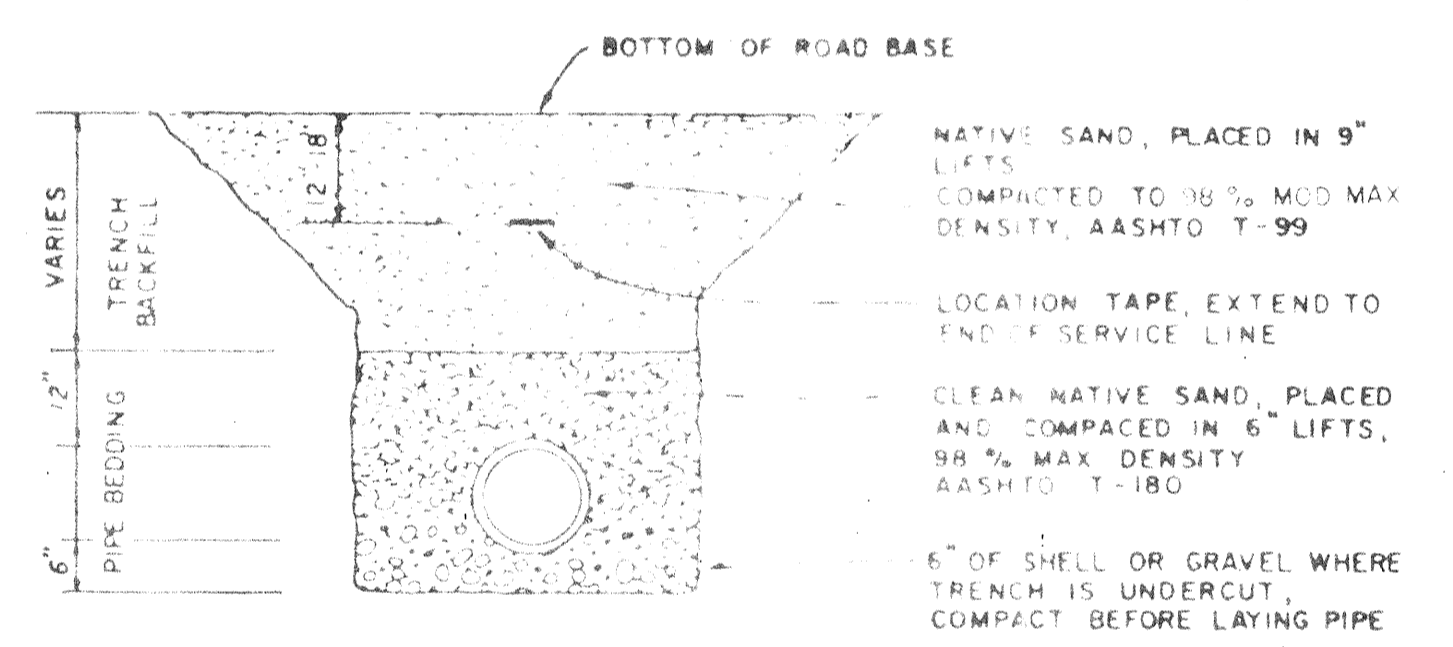
WATER MAIN THRUST BLOCKS

THROUST BLOCK AREAS IN SQ. FT.

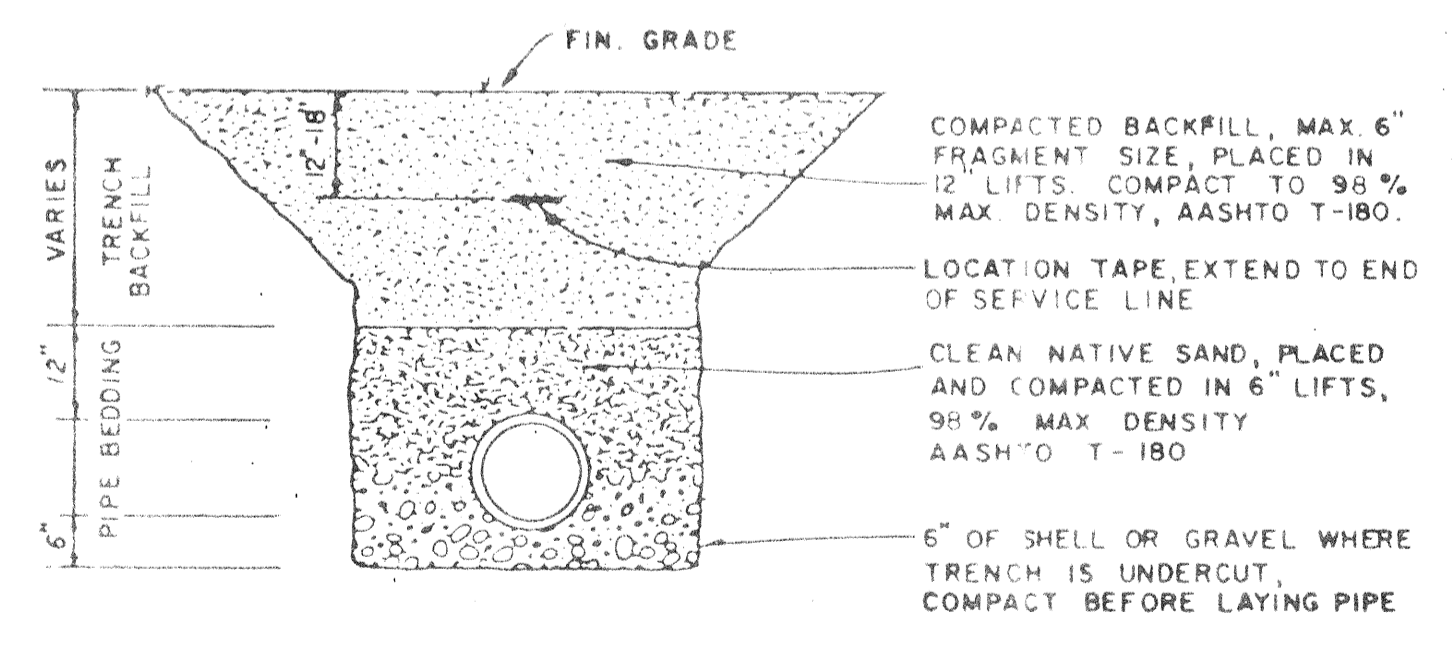
SIZE	1/4" BEND	1/2" BEND	3/4" BEND	1" BEND
4"	1.0	1.5	2.0	2.5
6"	2.5	3.5	4.5	5.5
8"	4.0	5.5	7.0	8.5
10"	6.0	8.0	10.0	12.0
12"	8.0	11.0	14.0	17.0

PIPE CURVE OFFSET

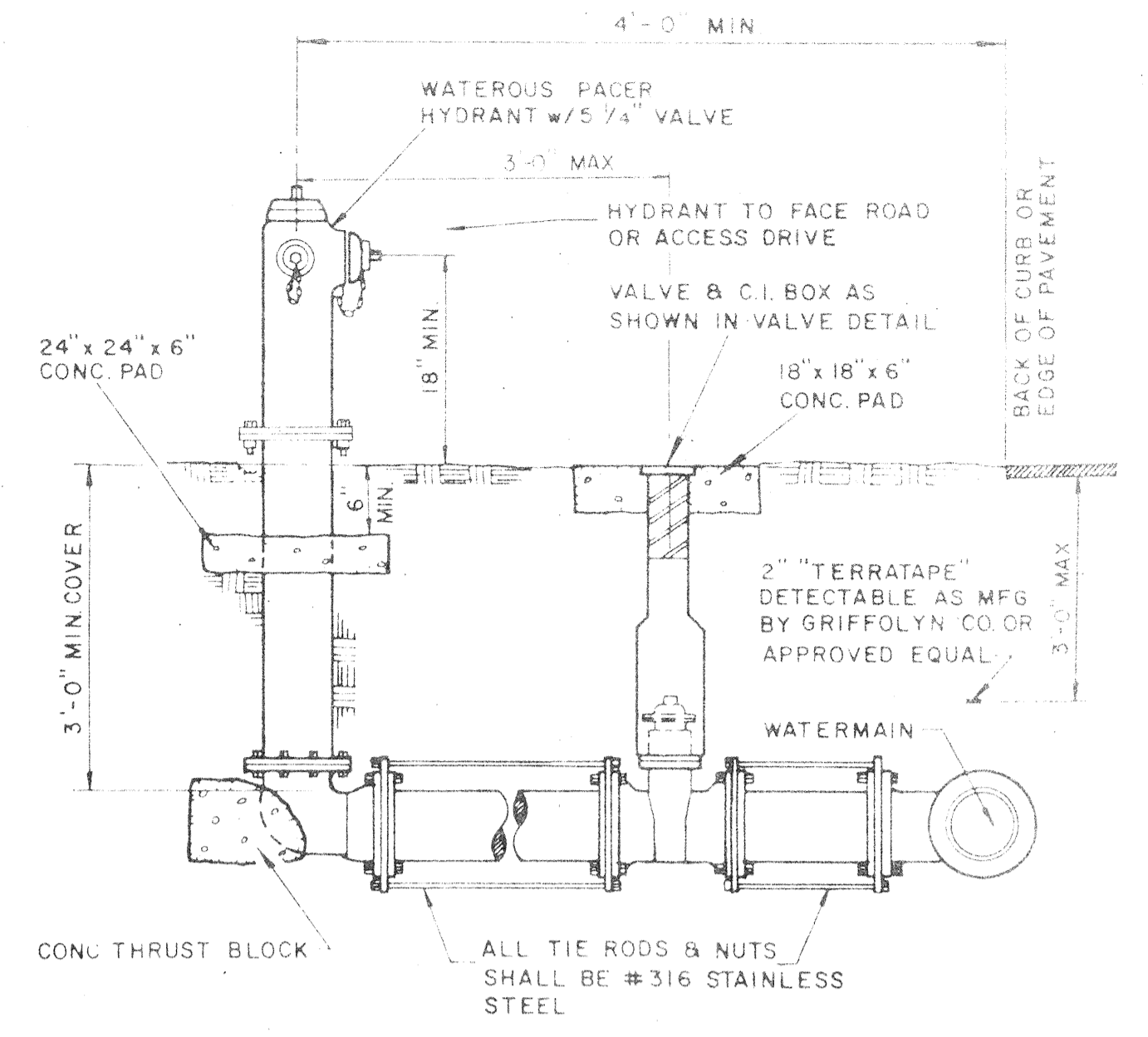
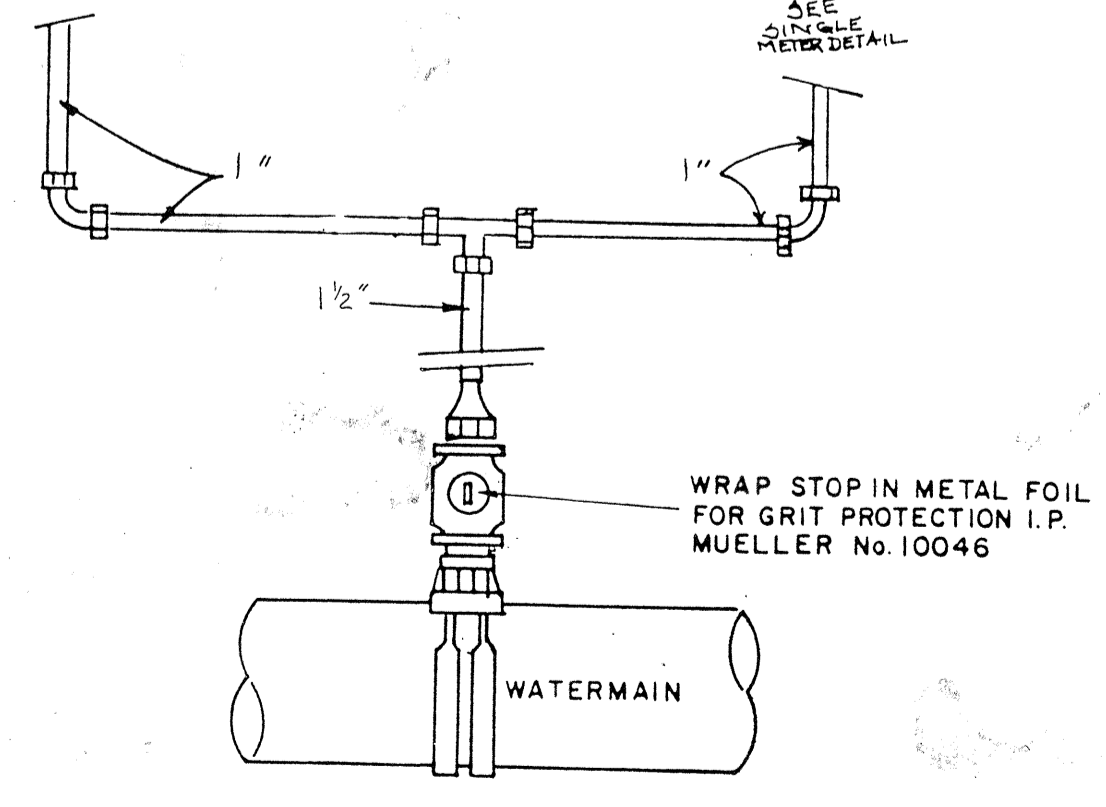
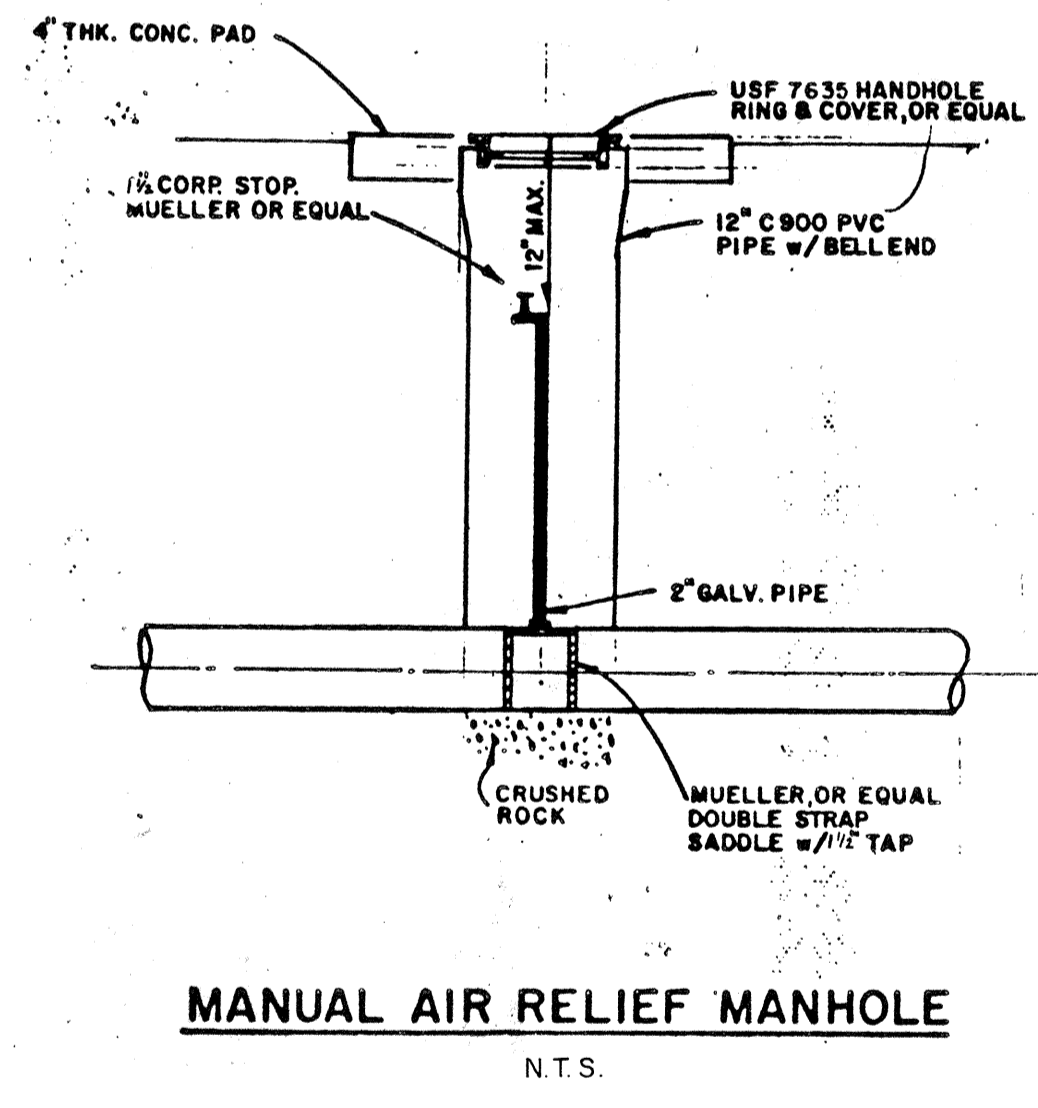
PIPE SIZE	OFFSET INCHES	PIPE LENGTH FEET	DEFLECTION INCHES	PIPE SIZE	OFFSET INCHES	DEFLECTION INCHES
4"	10	20	1.0	12"	14	1.5
6"	15	30	1.5	18"	20	2.0
8"	20	40	2.0	24"	28	2.5
10"	25	50	2.5	30"	36	3.0
12"	30	60	3.0	36"	44	3.5



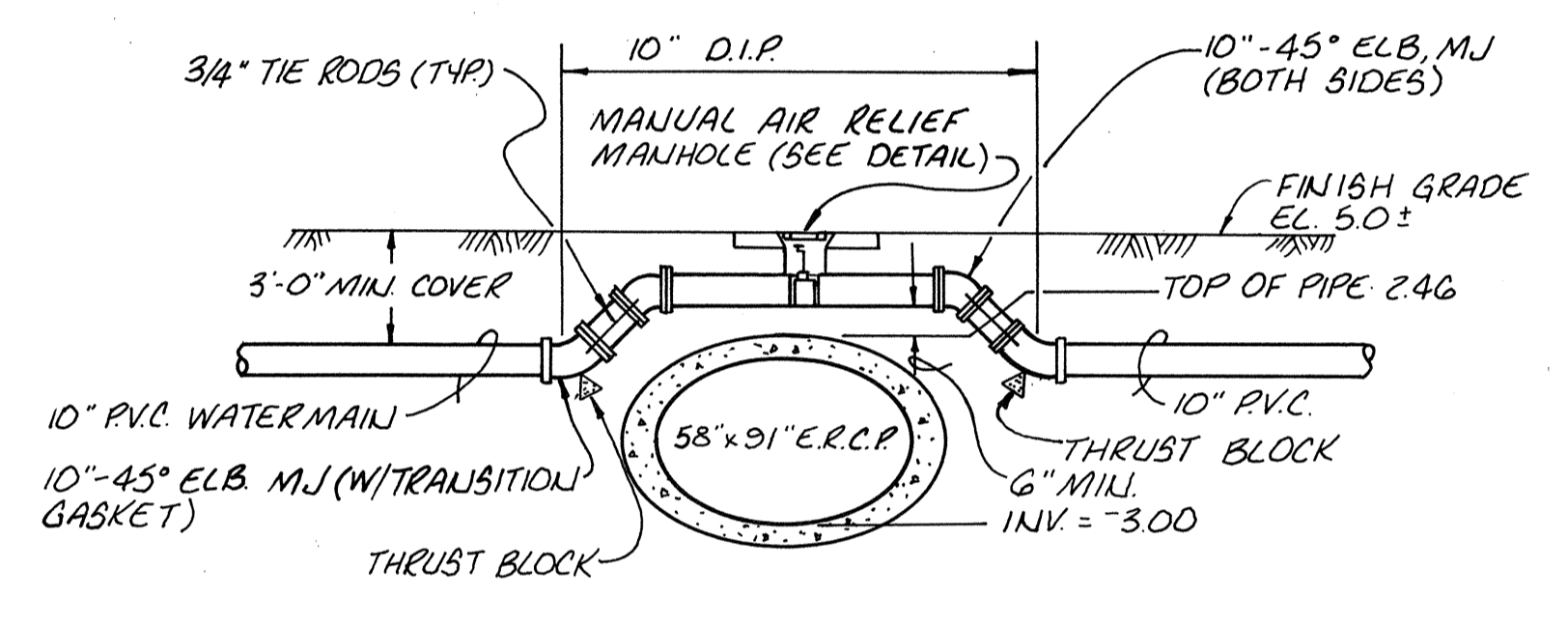
TRENCH "A" DETAIL



TRENCH "B" DETAIL

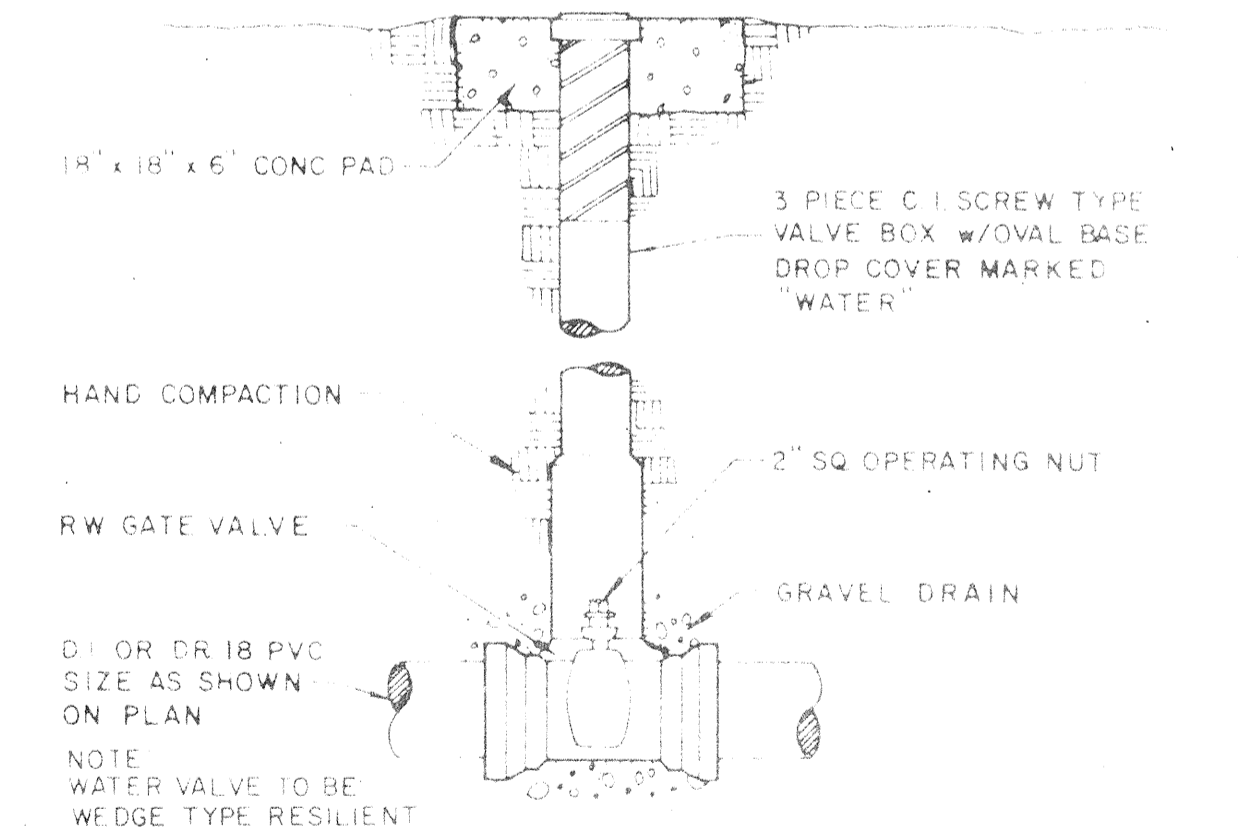


TYPICAL FIRE HYDRANT DETAIL
NO SCALE



PIPE CROSSING DETAIL
N.T.S.

(SEE SHEET 3 FOR LOCATION)



VALVE DETAIL
NO SCALE

- NOTE:
1. ALL PVC WATERMAIN SHALL BE COLOR CODED BLUE W/CLASS DR-18, (AWWA C900), W/36" COVER & DETECTABLE TAPE.
 2. CONTRACTOR TO CONTACT ENGINEER AND T.O.L.B.K. UTILITIES DIRECTOR FOR CHANGE OF MATERIALS.
 3. SDR 35 SHALL NOT BE ALLOWED PER T.O.L.B.K.

REVISED	BY	DATE	DESCRIPTION	CHECKED	DATE	DESCRIPTION

DATE: OCT '89
SCALE: AS SHOWN
DRAWN: STAFF
CHECKED: JPL/lsd
APPROVED: W.F.B.