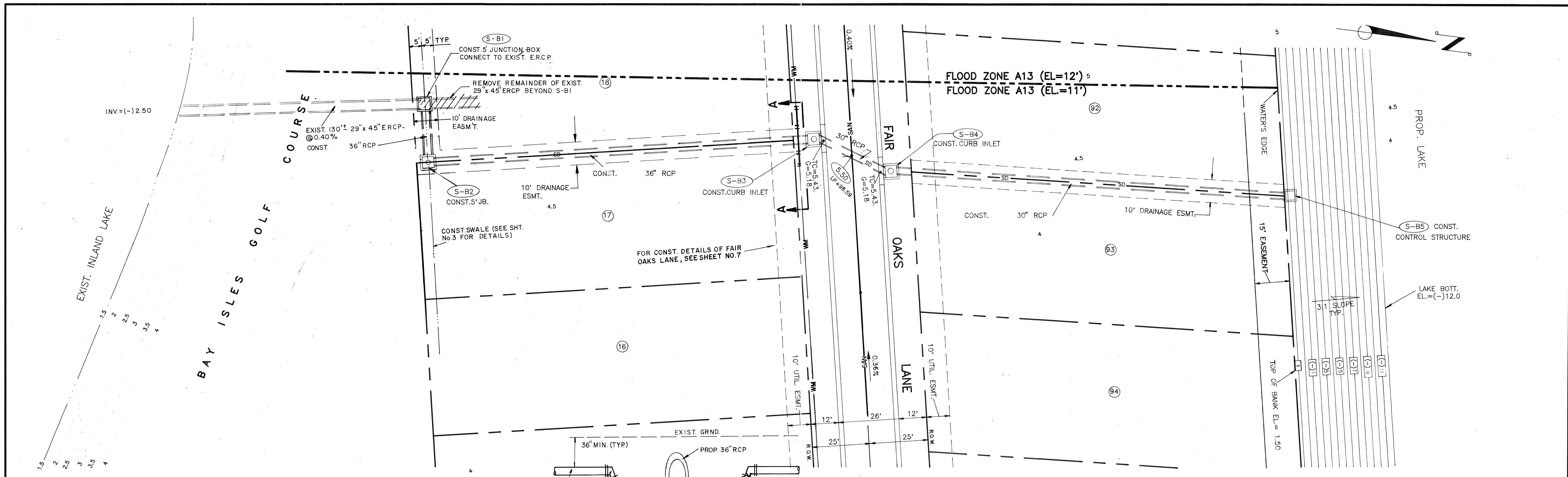
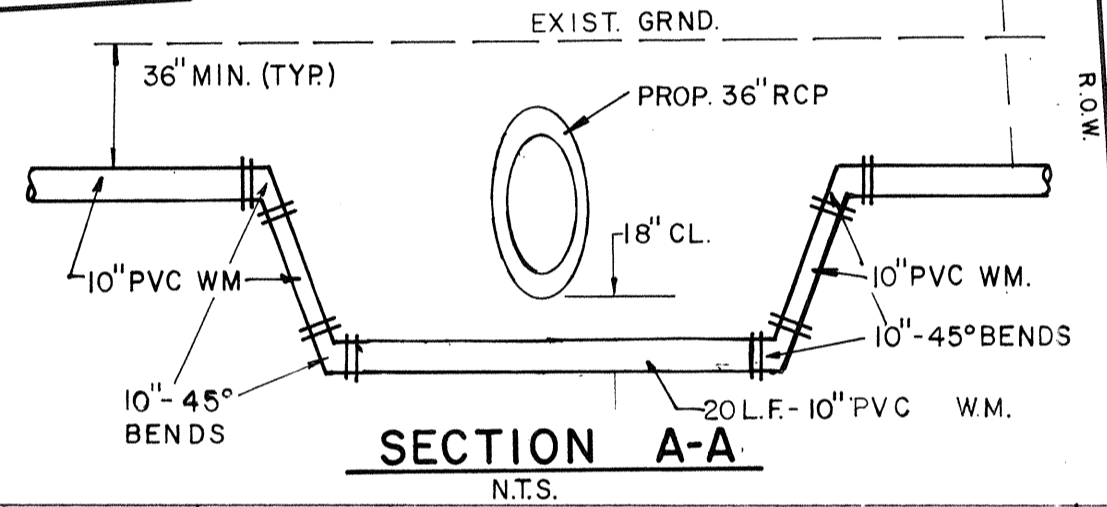


CLIENT/TITLE: DATE: SCALE: PROJECT NO: SHEET NO:

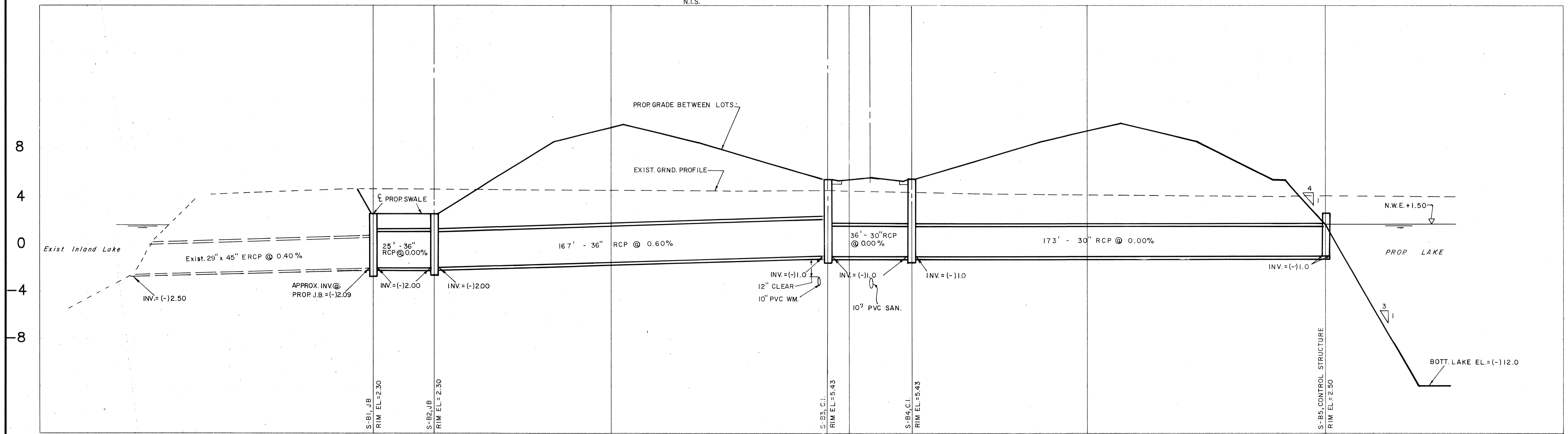


NOTE: ALL STATIONING FOR SANITARY MANHOLE'S; STORM CATCH BASIN'S & INLETS ETC. ARE GIVEN RELATIVE TO THE CENTERLINE STATIONING FOR THE PROPOSED ROADWAY.



SCALE:  
HORIZ. 1" = 20'  
VERT. 1" = 4'

FLOOD ZONE A13 (EL.=11')



CONSTRUCTION PLANS

**BISHOP & ASSOCIATES**  
Consulting Engineers • Surveyors  
78 SARASOTA CENTER BLVD., SARASOTA, FLORIDA 34240  
813/371-6362 • Fax 813/378-3215

REVISED	BY	DATE	DESCRIPTION

DATE	8-8-89
SCALE	1"=20'
DESIGN	S.R.
DRAWN	R.W.C.
CHECKED	2/2/1/89
APPROVED	

CLIENT/TITLE: **MANCHESTER BAY DIAMOND - CARVER, INC.**  
PROJECT NO: **DBDS-0018**  
SHEET NO: **14**