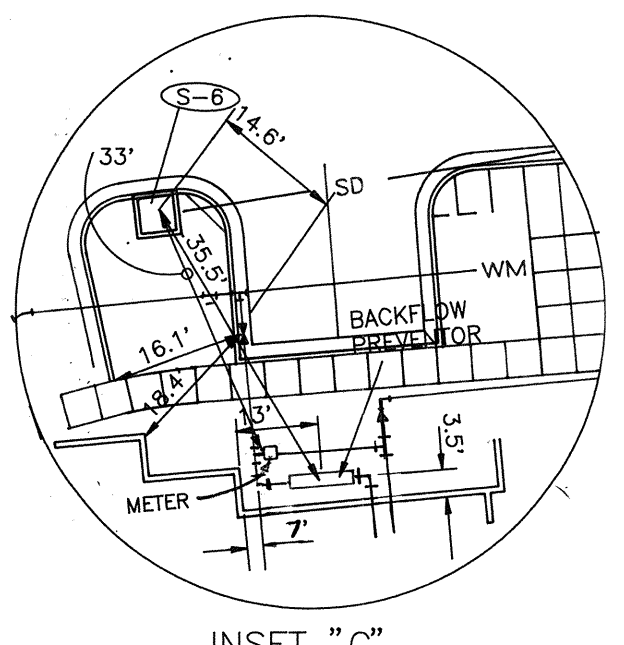
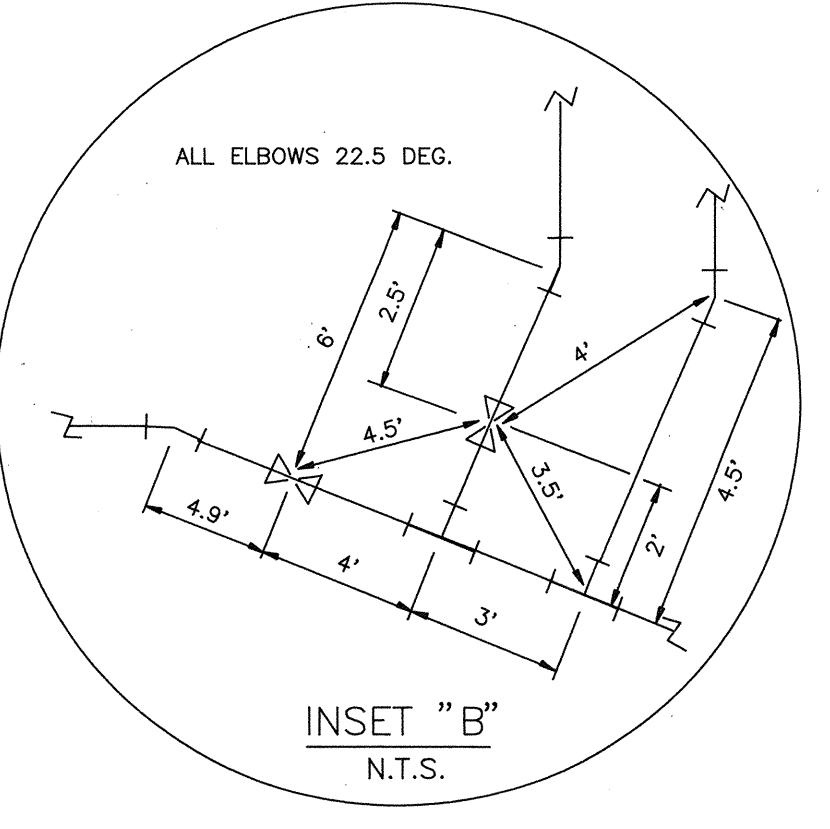
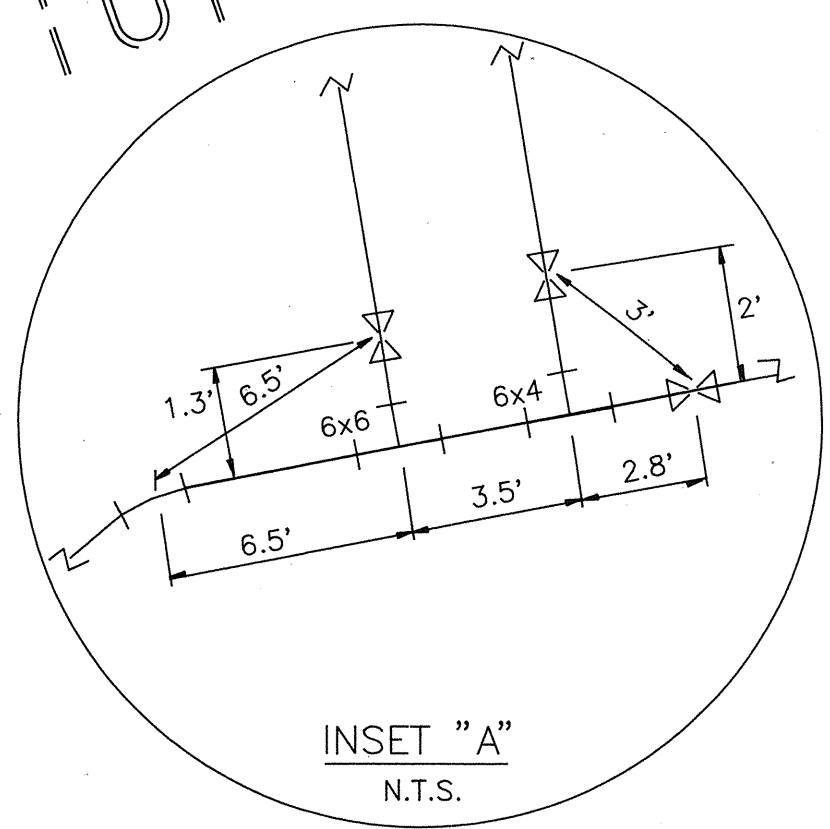
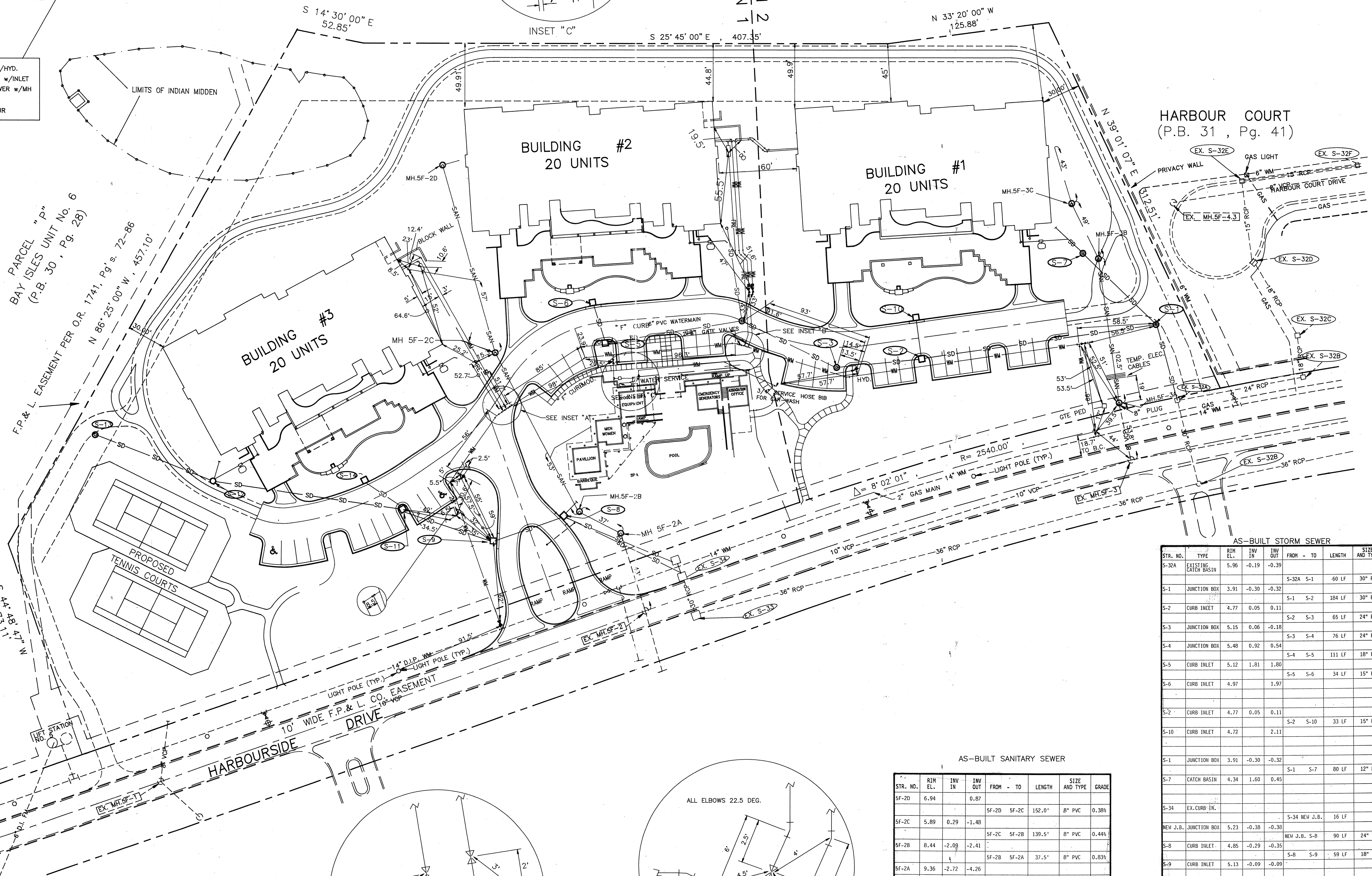


LEGEND

WM	↑	WM	EXIST. WATERMAIN w/HYD.
SD	↓	SD	EXIST. STORM DRAIN w/INLET
SAN	○	SAN	EXIST. SANITARY SEWER w/MH
GM	—	GM	EXIST. GAS MAIN
—	—	—	EXIST. GRND. CONTOUR



SECTION 1
SECTION 2



AS-BUILT SANITARY SEWER

STR. NO.	RIM EL.	INV IN	INV OUT	FROM - TO	LENGTH	SIZE AND TYPE	GRADE
SF-2D	6.94	0.87		SF-2D SF-2C	152.0'	8" PVC	0.38%
SF-2C	5.89	0.29	-1.48	SF-2C SF-2B	139.5'	8" PVC	0.44%
SF-2B	8.44	-2.09	-2.41	SF-2B SF-2A	37.5'	8" PVC	0.83%
SF-2A	9.36	-2.72	-4.26	SF-2A EXSF-2	65.0'	8" PVC	2.03%
EXSF-2	4.60	-5.58		SF-2A EXSF-3	52.5'	8" PVC	3.75%
SF-3C	7.09	-0.93	-0.91	SF-3C SF-3B	51.0'	8" PVC	0.92%
SF-3B	5.72	-1.38	-2.02	SF-3B SF-3A	103.0'	8" PVC	0.82%
SF-3A	6.56	-2.86	-2.49	SF-3A EXSF-3	52.5'	8" PVC	3.75%
EXSF-3	5.46	-4.46					

AS-BUILT STORM SEWER

STR. NO.	TYPE	RIM EL.	INV IN	INV OUT	FROM - TO	LENGTH	SIZE AND TYPE	GRADE
S-32A	EXISTING CATCH BASIN	5.96	-0.19	-0.39				
S-1	JUNCTION BOX	3.91	-0.30	-0.32	S-32A S-1	60 LF	30" RCP	-0.22%
S-2	CURB INLET	4.77	0.05	0.11	S-1 S-2	184 LF	30" RCP	0.22%
S-3	JUNCTION BOX	5.15	0.66	-0.18	S-2 S-3	65 LF	24" RCP	-0.35%
S-4	JUNCTION BOX	5.48	0.92	0.54	S-3 S-4	76 LF	24" RCP	0.79%
S-5	CURB INLET	5.12	1.81	1.80	S-4 S-5	111 LF	18" RCP	0.79%
S-6	CURB INLET	4.97		1.97	S-5 S-6	34 LF	15" RCP	0.47%
S-2	CURB INLET	4.77	0.05	0.11				
S-10	CURB INLET	4.72		2.11	S-2 S-10	33 LF	15" RCP	6.24%
S-1	JUNCTION BOX	3.91	-0.30	-0.32				
S-7	CATCH BASIN	4.34	1.60	0.45	S-1 S-7	80 LF	12" PVC	0.94%
S-34	EX. CURB IN.				S-34 NEW J.B.	16 LF		
NEW J.B.	JUNCTION BOX	5.23	-0.38	-0.38				
S-8	CURB INLET	4.85	-0.29	-0.35	NEW J.B. S-8	90 LF	24" RCP	0.03%
S-8	CURB INLET	4.85	-0.29	-0.35				
S-9	CURB INLET	5.13	-0.09	-0.09	S-8 S-9	59 LF	18" RCP	0.34%
S-11	CURB INLET	5.18	0.10	0.15				
S-9	CURB INLET	5.13	-0.09	-0.09	S-9 S-11	76 LF	18" RCP	0.32%
S-11	CURB INLET	5.18	0.10	0.15				
S-12	JUNCTION BOX	5.51	0.80	0.80	S-11 S-12	149 LF	12" PVC	0.47%
S-12	JUNCTION BOX	5.51	0.80	0.80				
S-13	JUNCTION BOX	4.09		1.30	S-12 S-13	97 LF	12" PVC	0.52%
S-11	CURB INLET	5.18	0.10	0.15				
S-11	CURB INLET	5.18	0.10	0.15	S-11 S-14	37 LF	15" RCP	5.08%
S-14	CURB INLET	5.09		1.98				

PROJECT ENGINEER
WILLIAM F. BISHOP, P.E.

DESIGNED BY
S.H.R.

DATE:
8/31/90

CHECKED BY
PROJECT NO.
ARVD-0380

SCALE:
1"=40'

DRAWN BY
R.W.C.

REVISION

LTR. DATE

TOWN OF LONGBOAT KEY, FLORIDA
ARVIDA/JMB PARTNERS
MARINA BAY RECORD DRAWINGS
BISHOP & ASSOCIATES, INC. 78 SARASOTA CENTER BLVD. SARASOTA, FL. 34240 (813) 371-6362

ENGINEER & LOCATION
SHEET NUMBER
ARVD-0380
A/B

REVISION

T.L.K. FILE NO.

COMPUTER FILE: ARVD0380.DWG PLOT: 8/31/90

MARINA BAY CONDOMINIUM