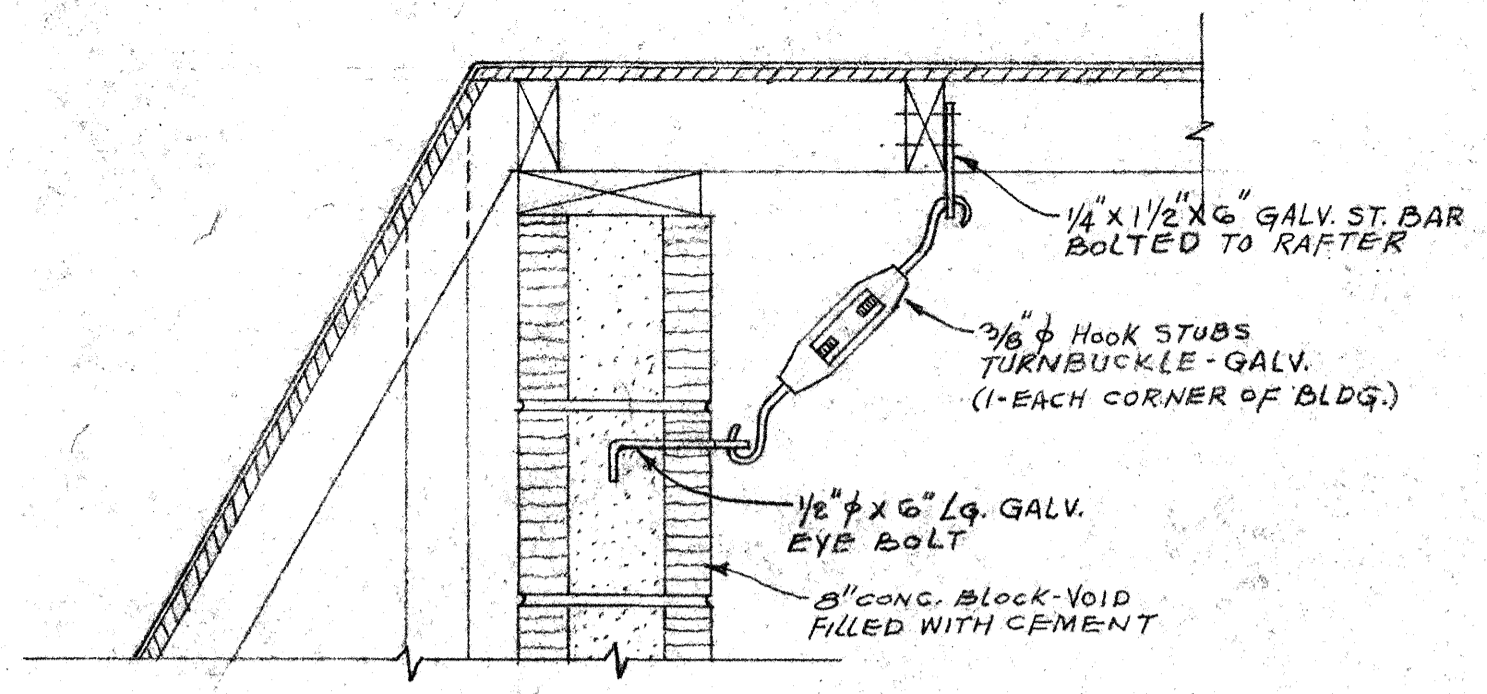
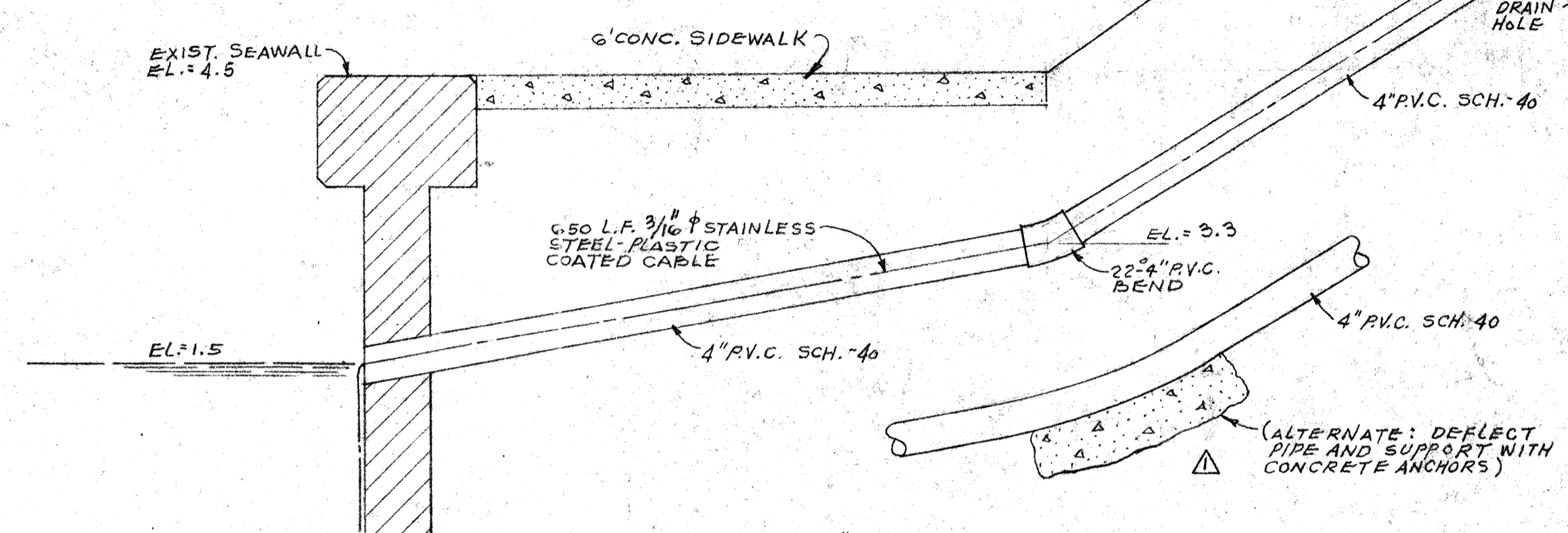


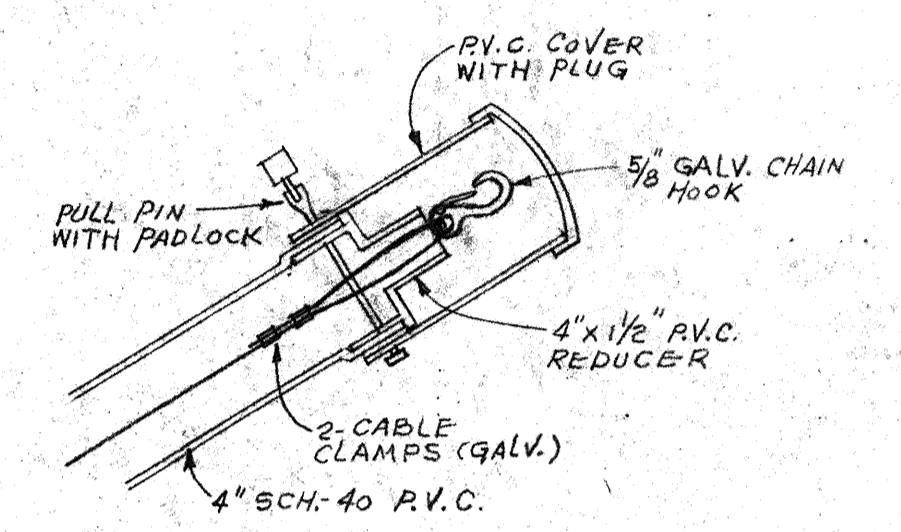
REMOVABLE SECTION  
DETAIL (4)  
SCALE 3/4"=1'-0"



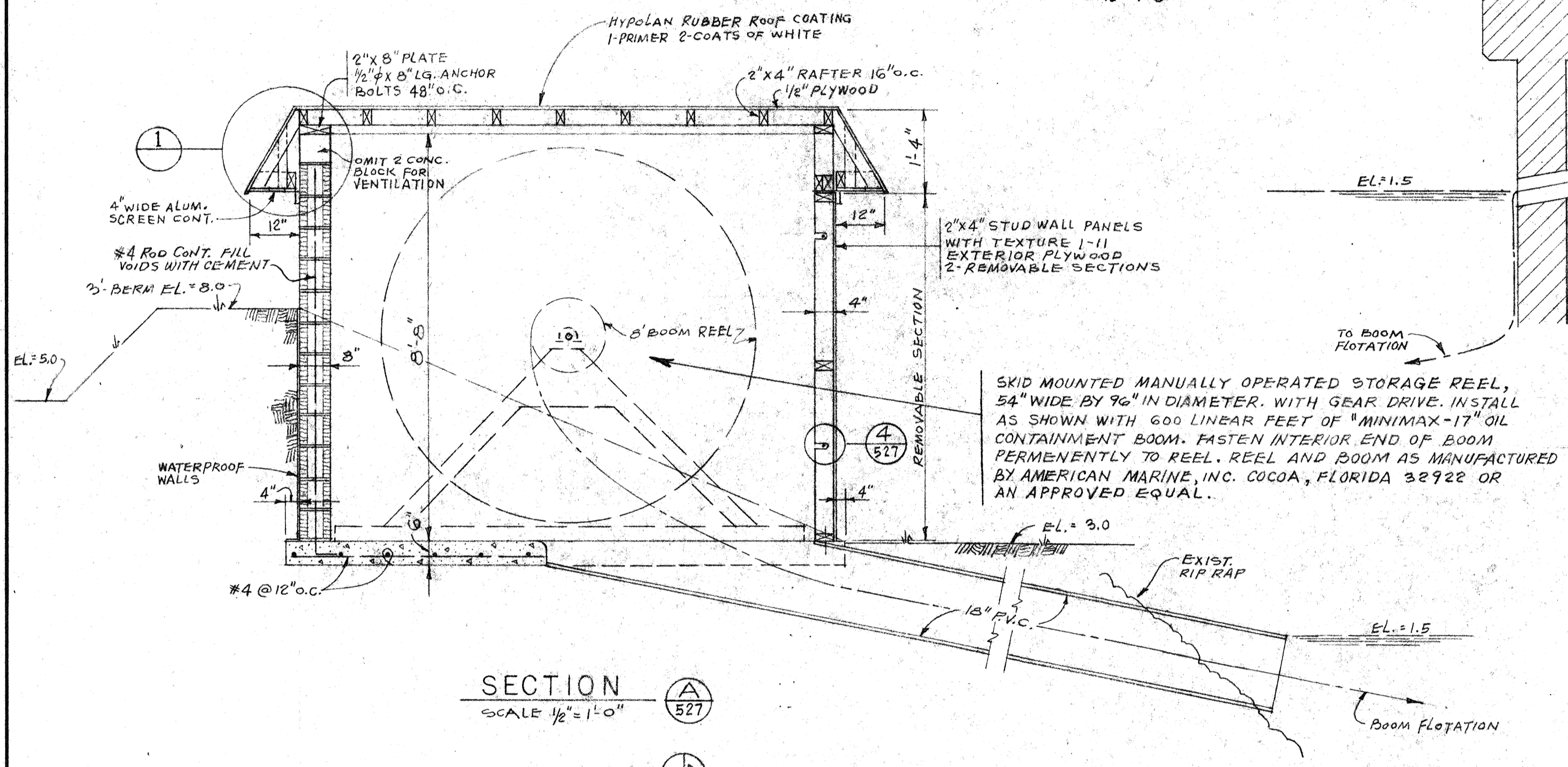
ROOF ANCHOR  
DETAIL  
SCALE 1 1/2"=1'-0"



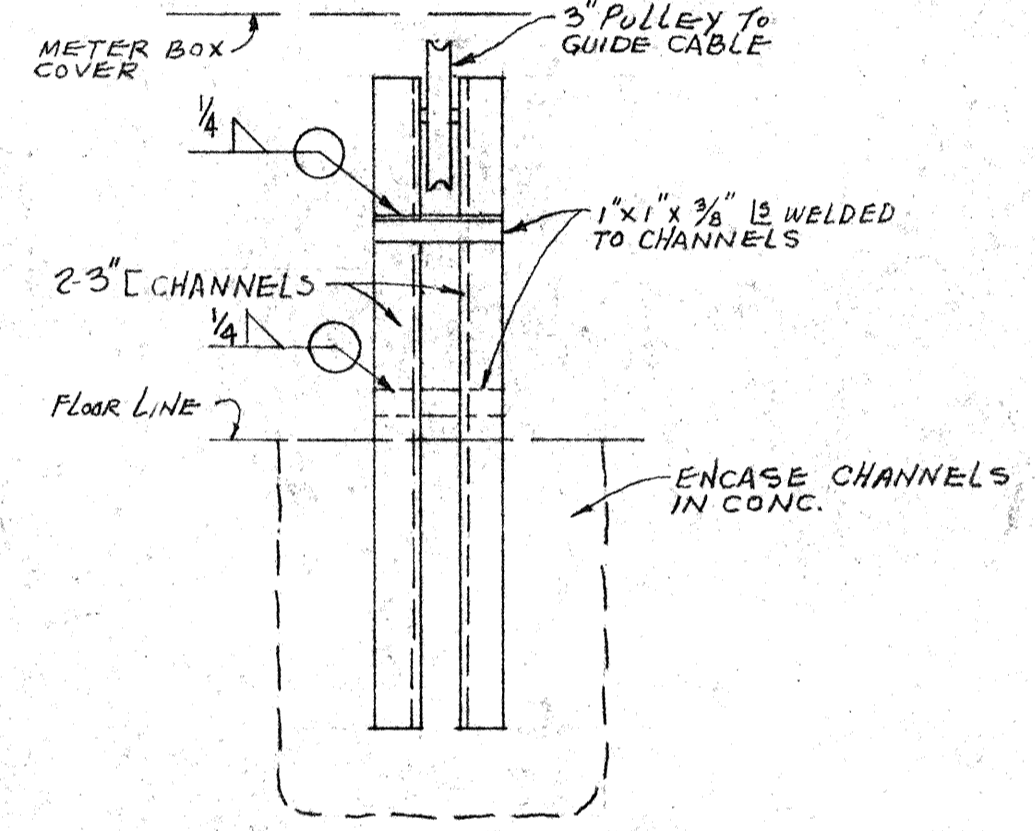
CABLE ENCLOSURE SECTION  
SCALE 3/4"=1'-0"



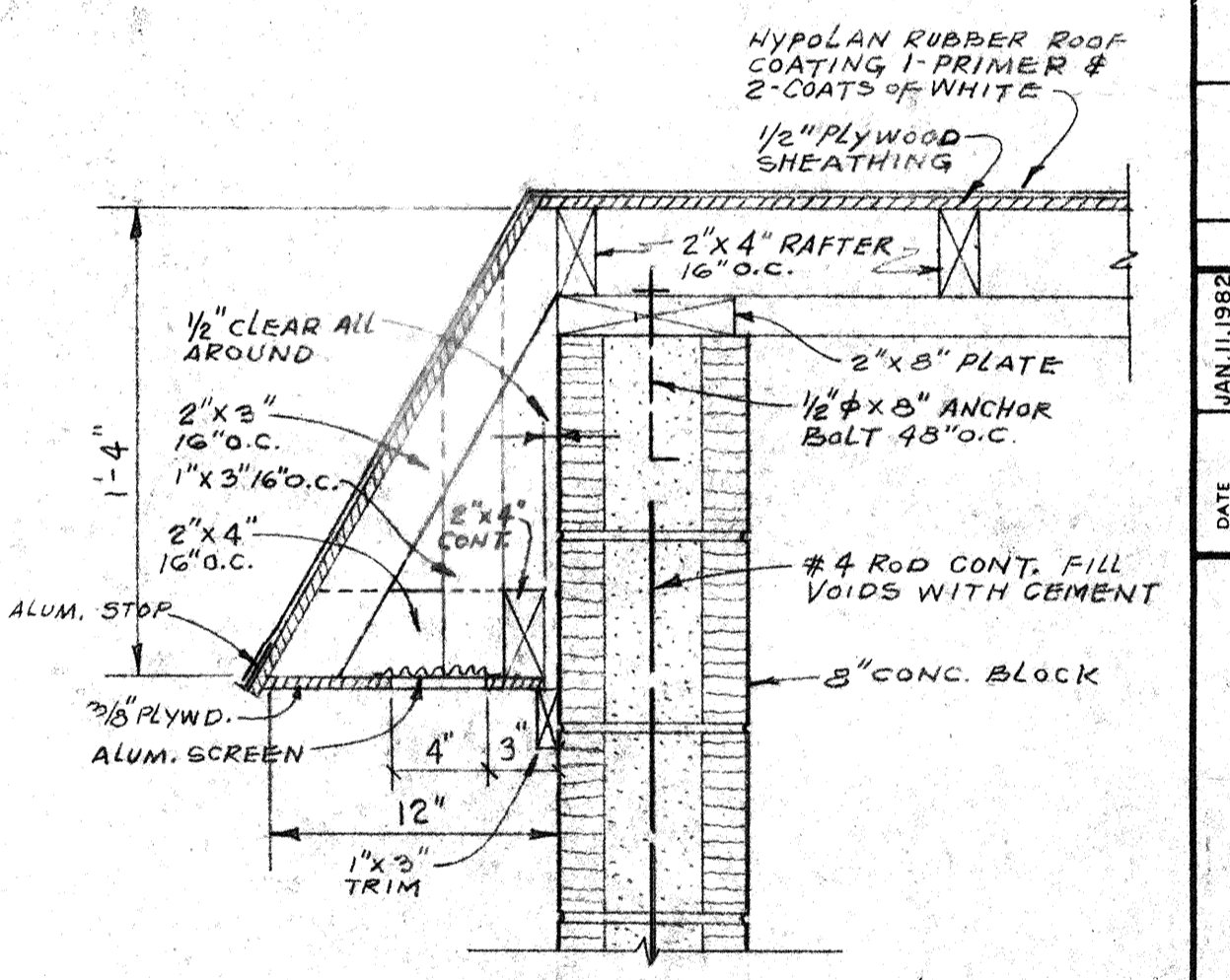
DETAIL (2)  
SCALE 1 1/2"=1'-0"



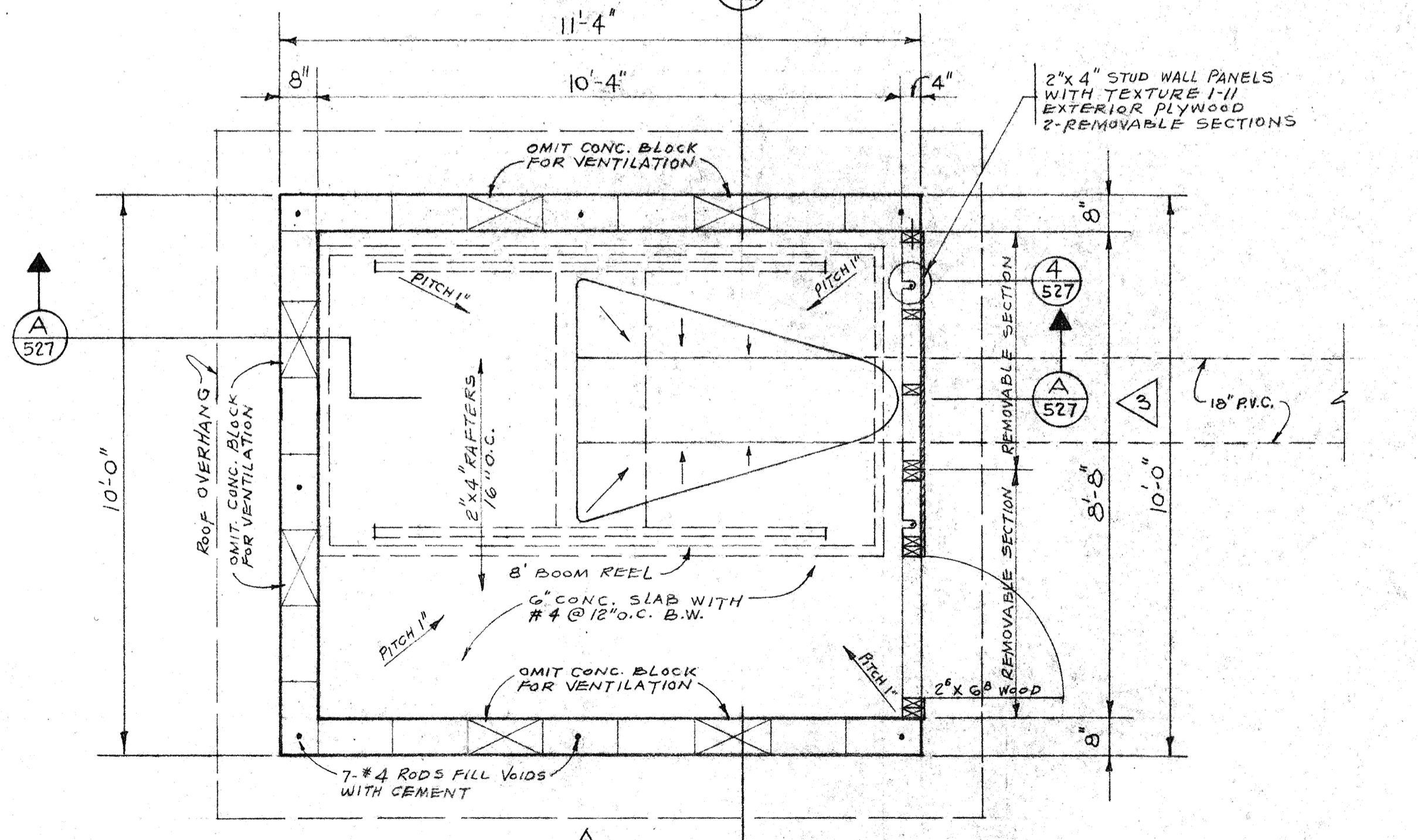
SECTION (A)  
SCALE 1/2"=1'-0"



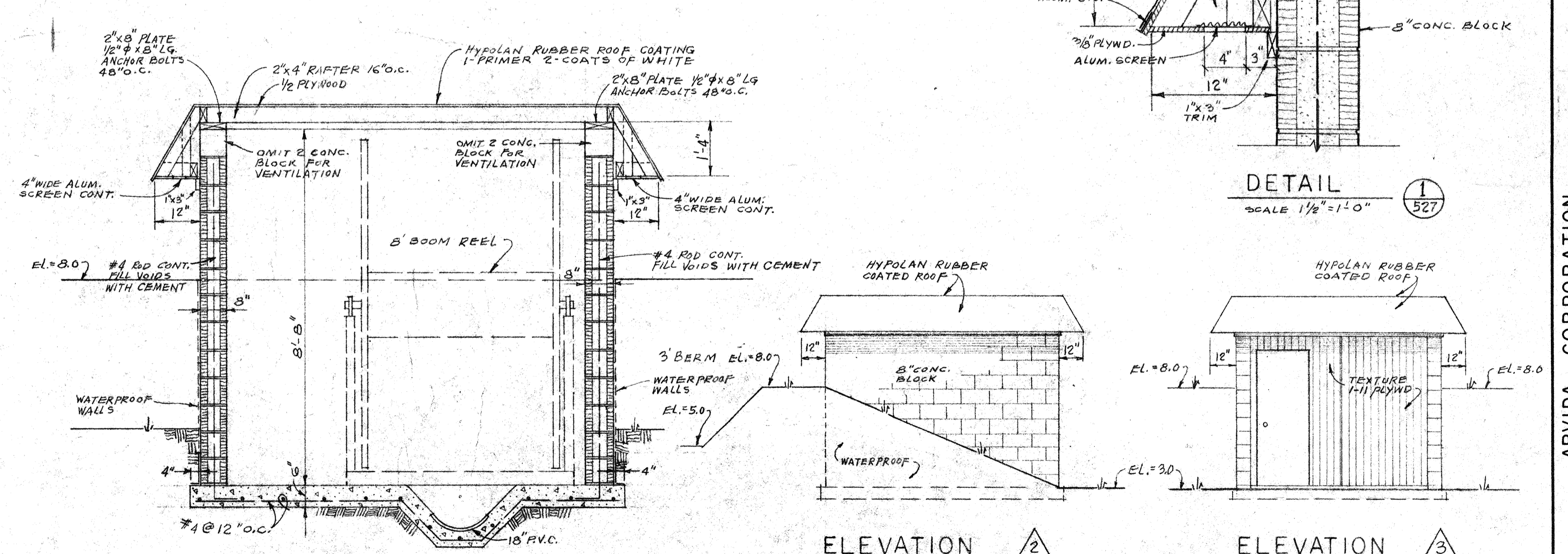
DETAIL (3)  
SCALE 1 1/2"=1'-0"



DETAIL (1)  
SCALE 1 1/2"=1'-0"



PLAN  
SCALE 1/2"=1'-0"



SECTION (B)  
SCALE 1/2"=1'-0"

ELEVATION (2)  
SCALE 1/4"=1'-0"

ELEVATION (3)