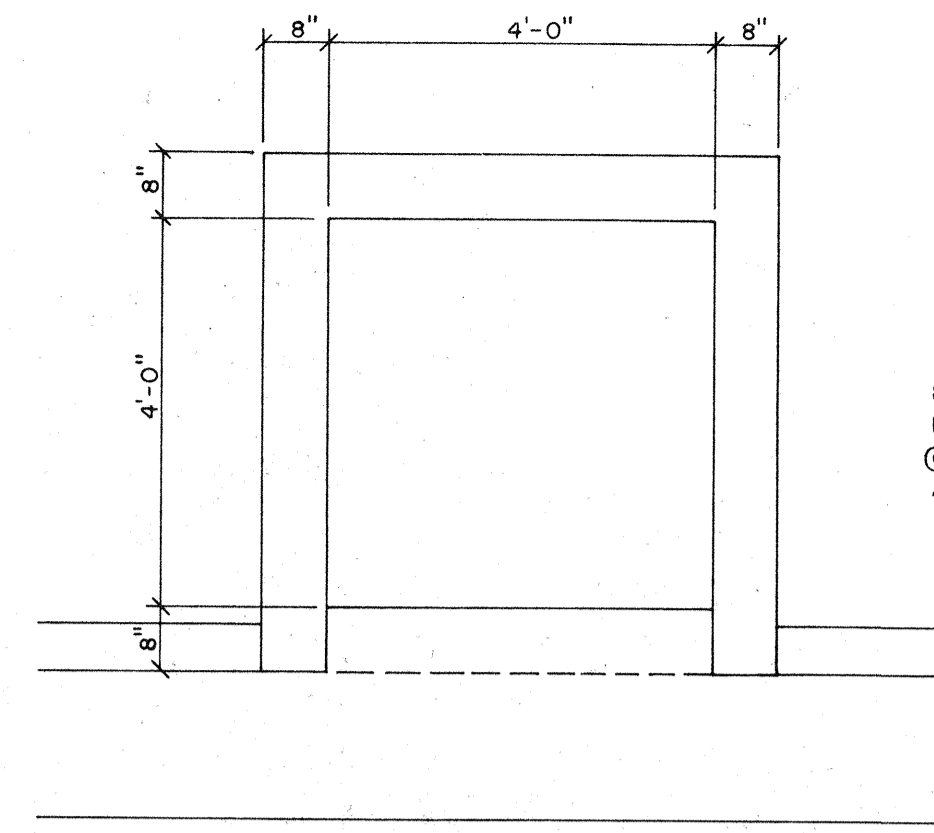
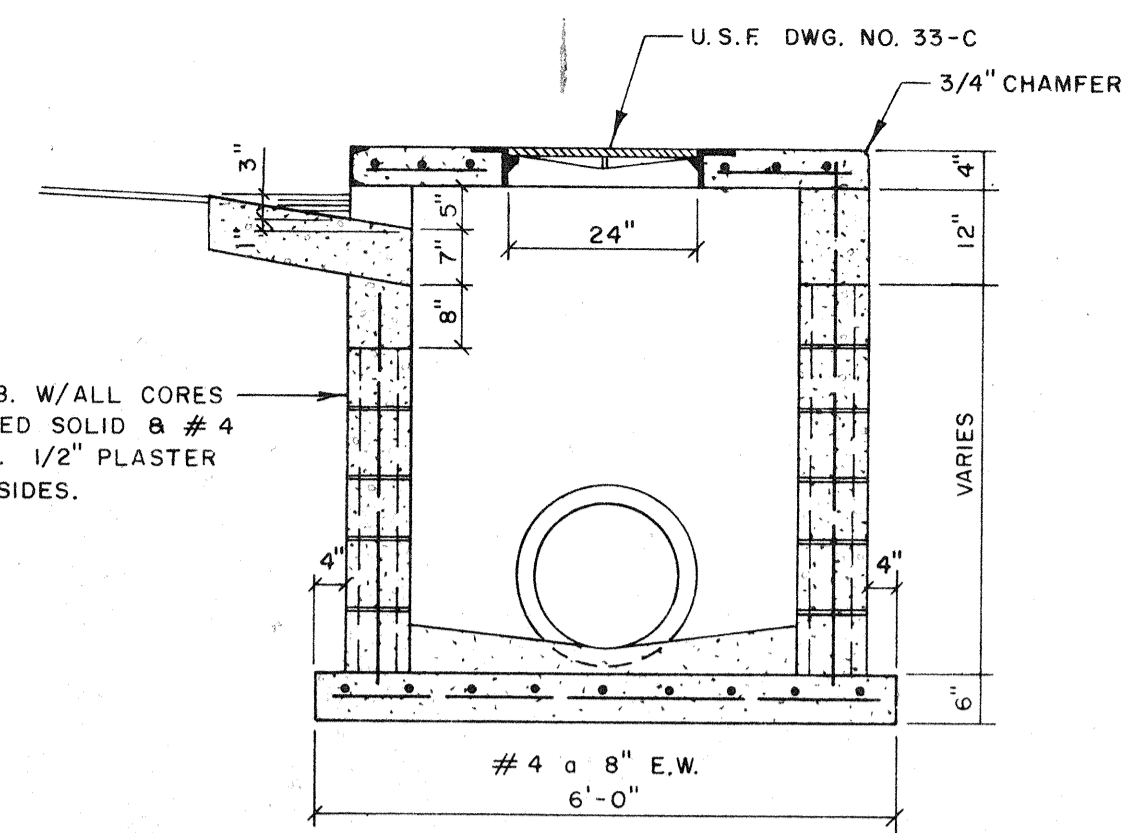


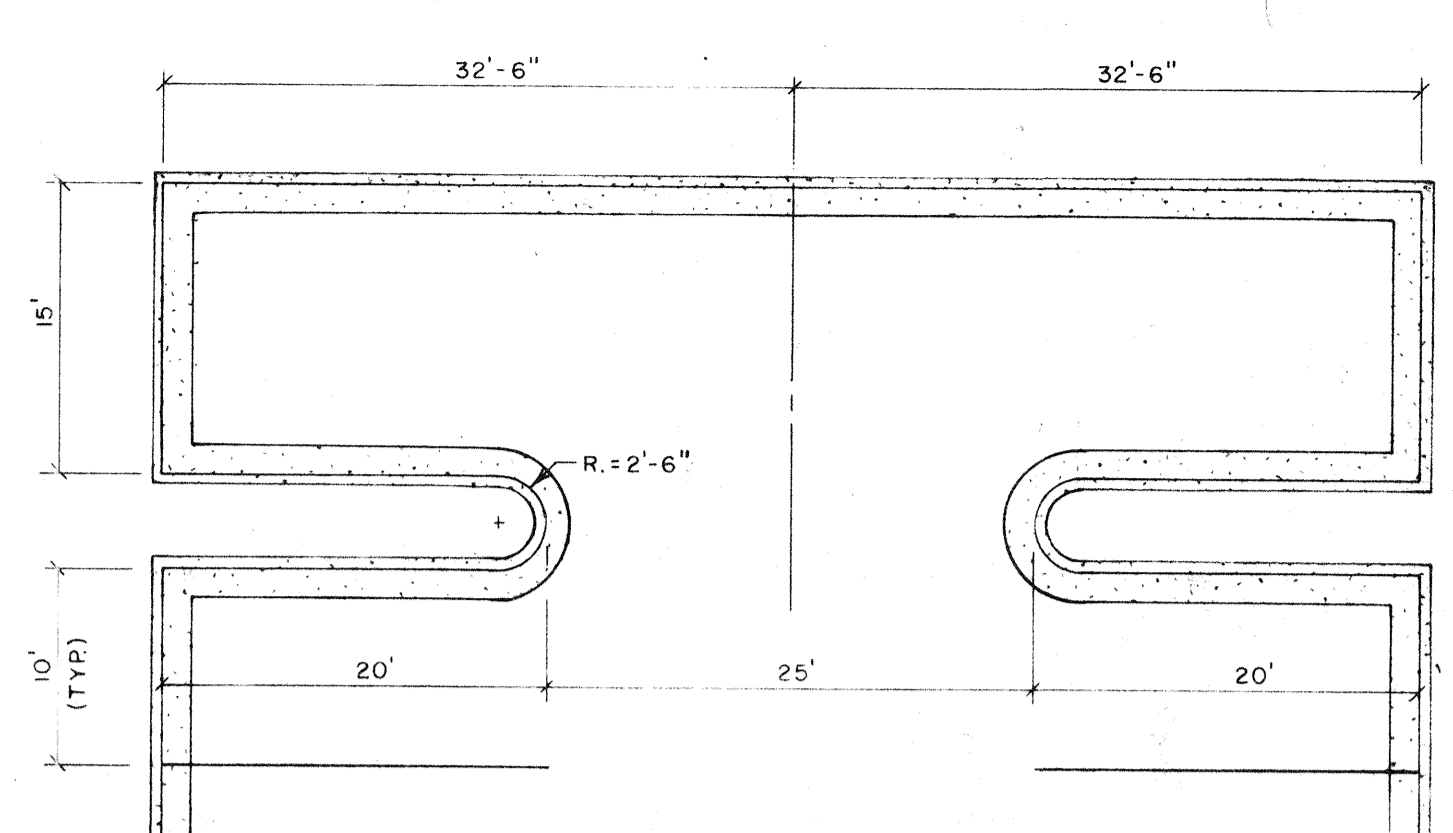
PLAN - COVER



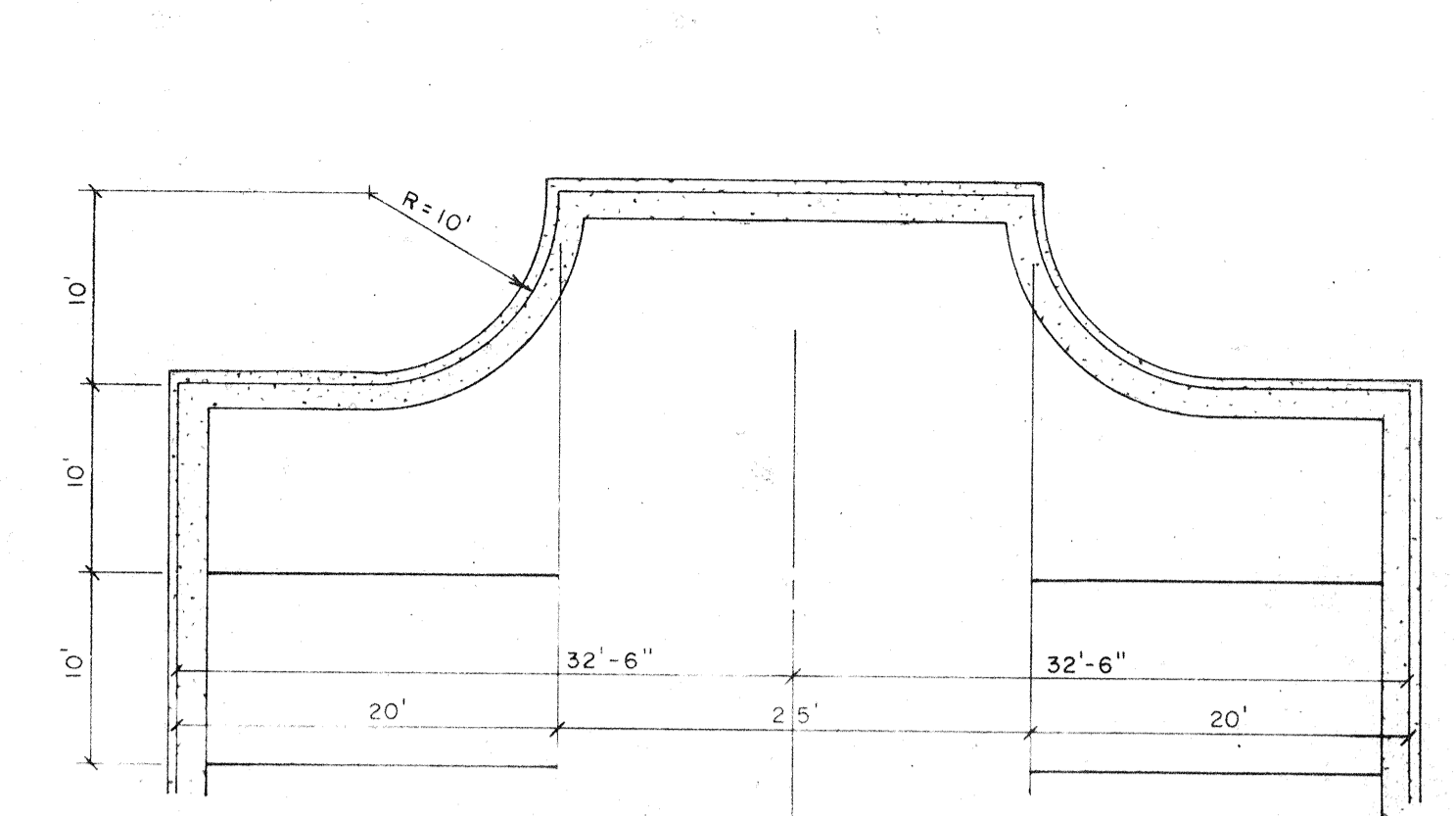
PLAN - COVER REMOVED



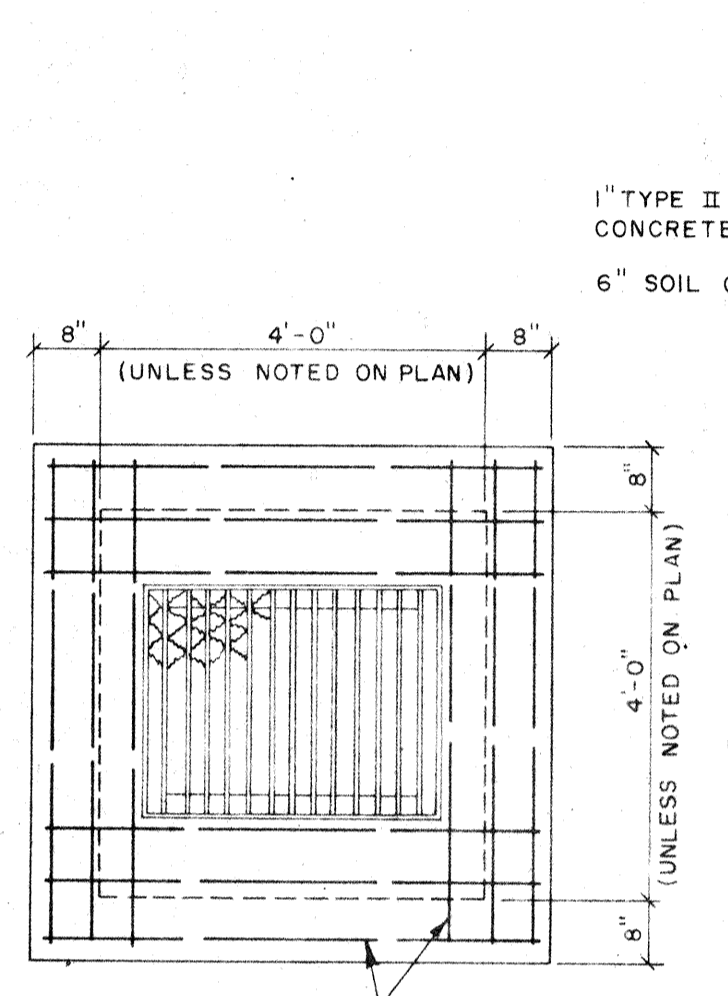
SECTION



TURNAROUND DETAIL "A"



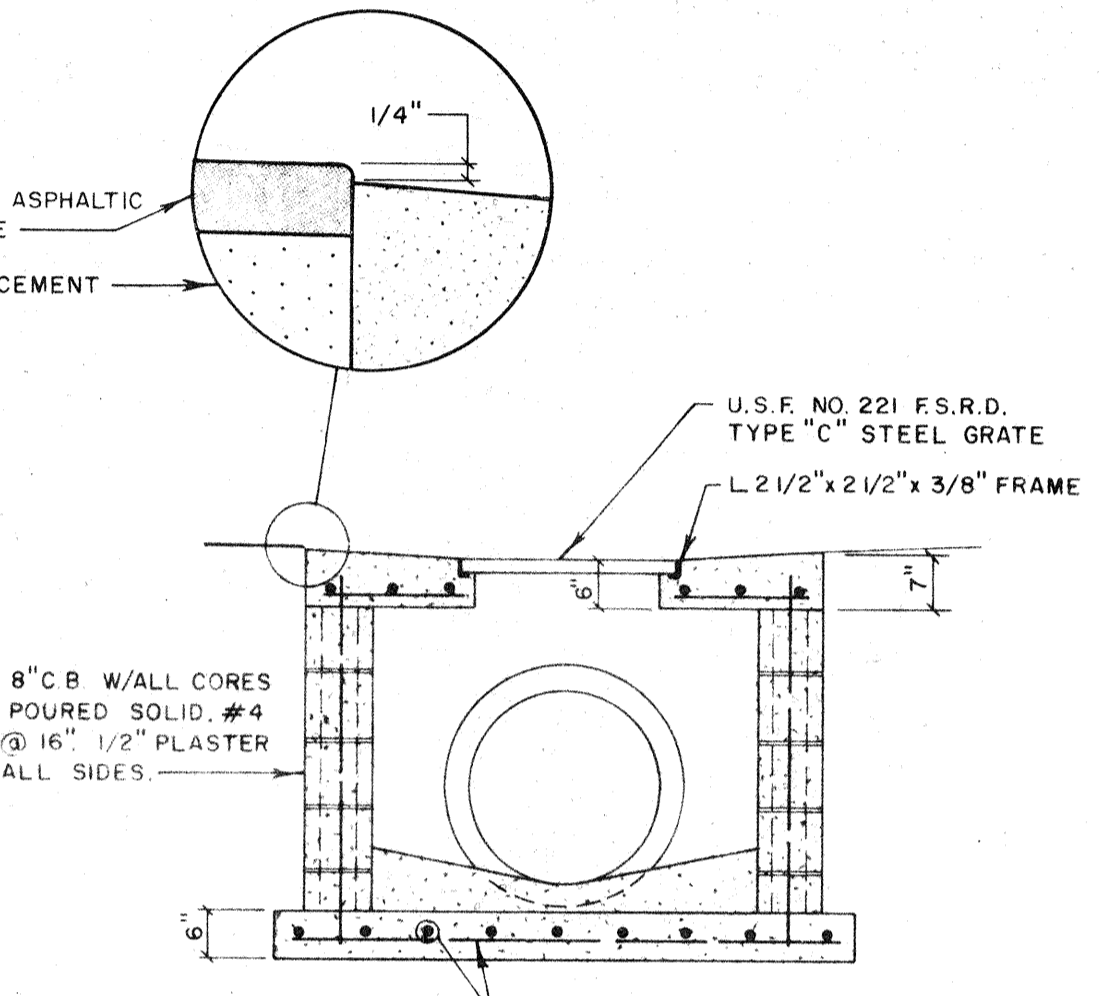
TURNAROUND DETAIL "B"



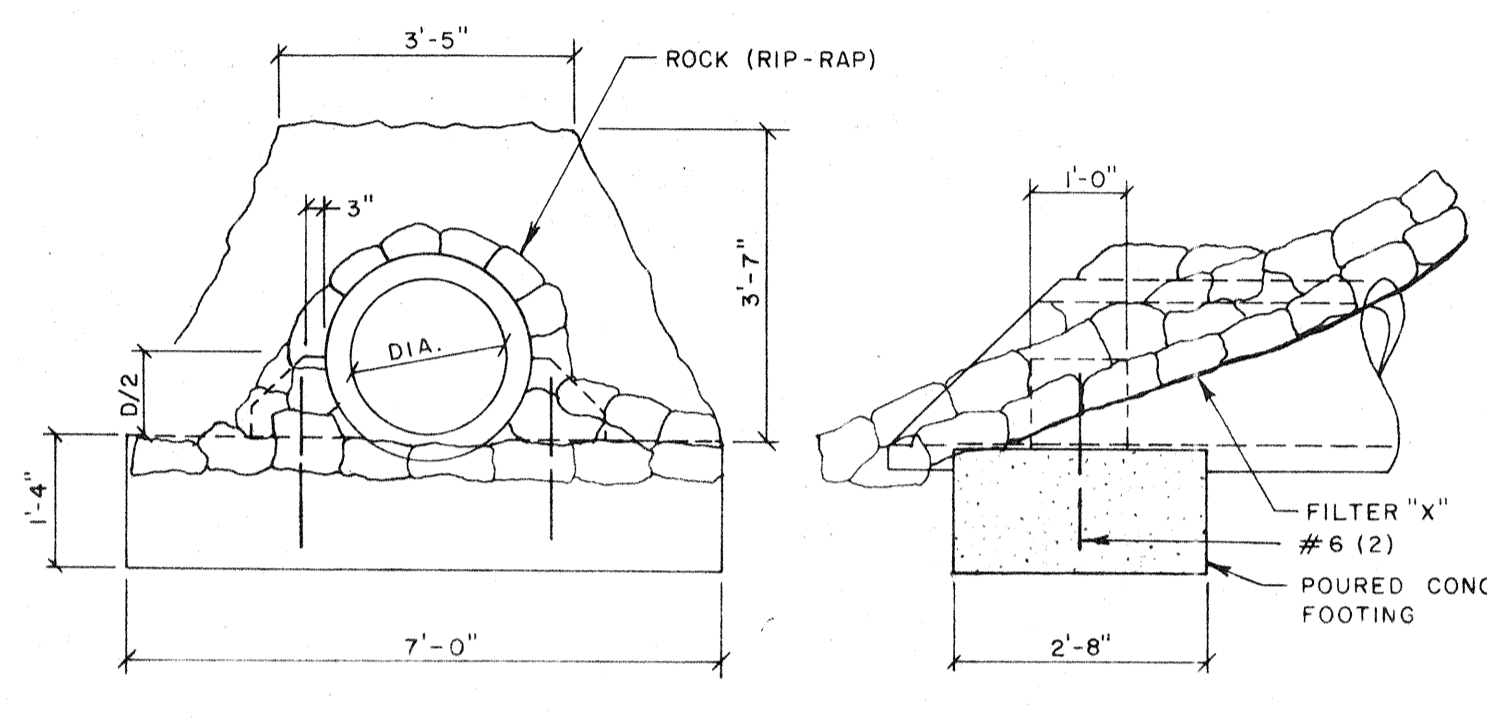
PLAN

TYPICAL DROP INLET

SCALE: 1/2" = 1'-0"



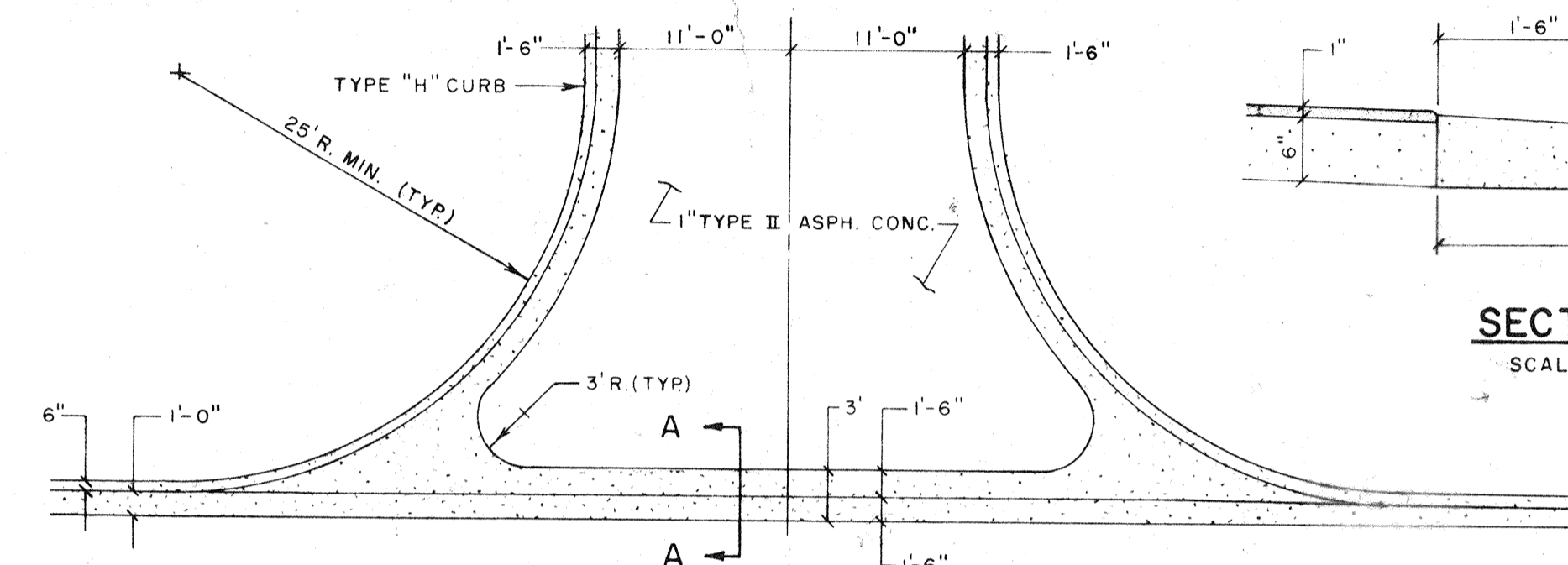
SECTION



PLAN

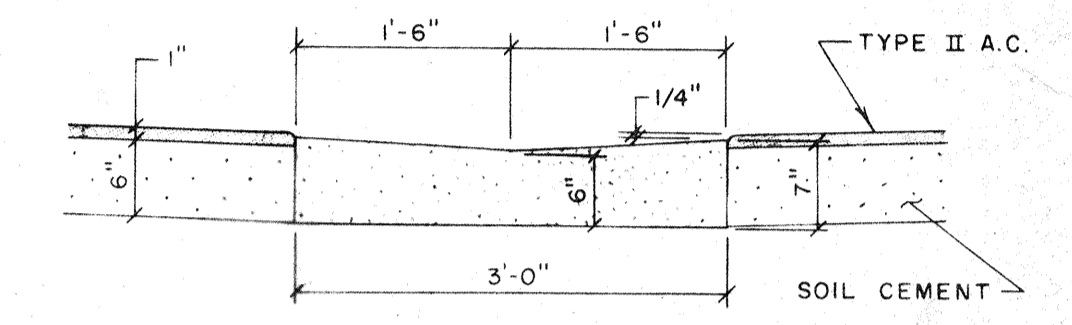
TYPICAL ENDWALL

SCALE: 1/2" = 1'-0"



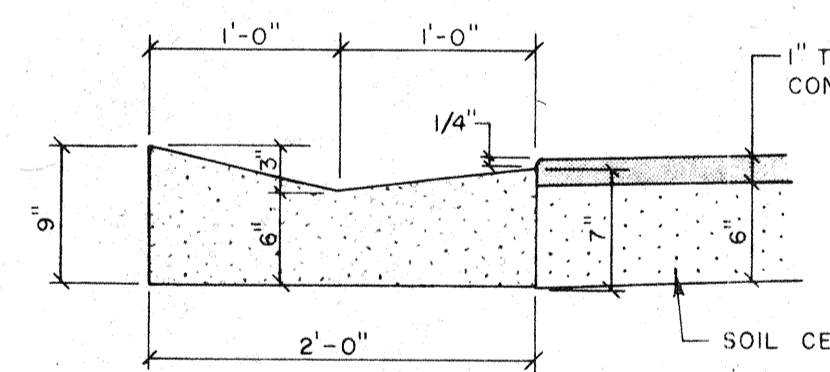
VALLEY GUTTER DETAIL

SCALE: 1" = 10'-0"



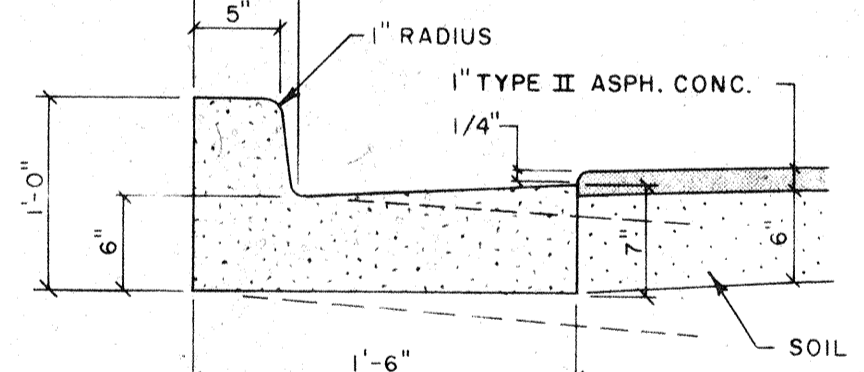
SECTION A-A

SCALE: 3/4" = 1'-0"



TYPE "K" CURB

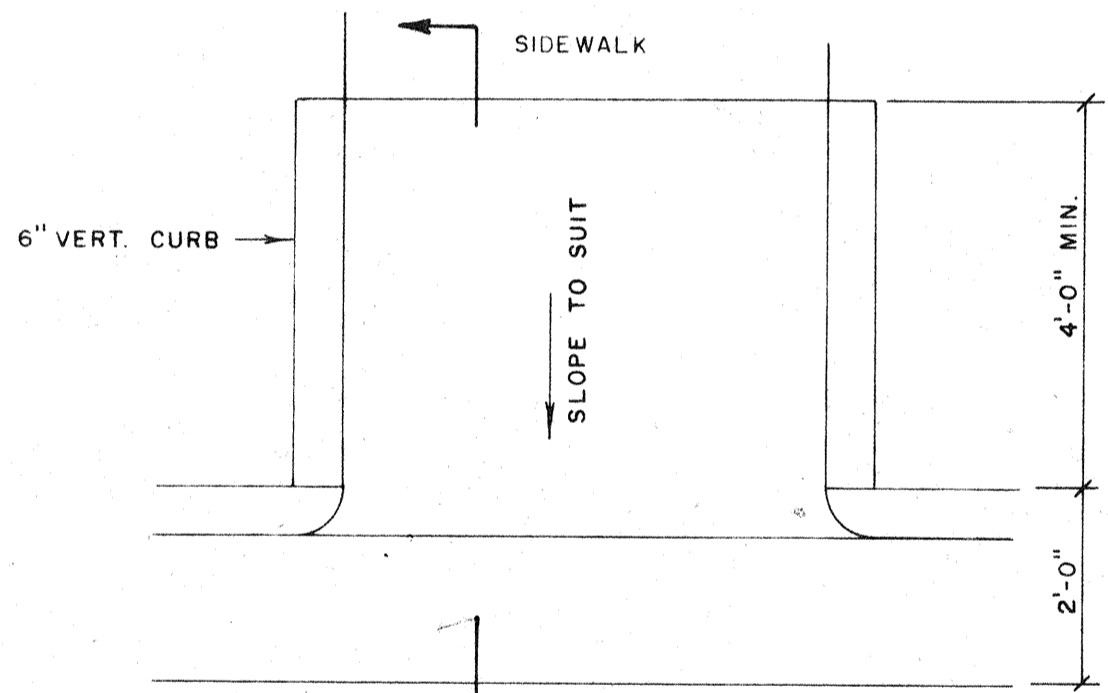
SCALE: 1" = 1'-0"



TYPE "H" CURB

SCALE: 1" = 1'-0"

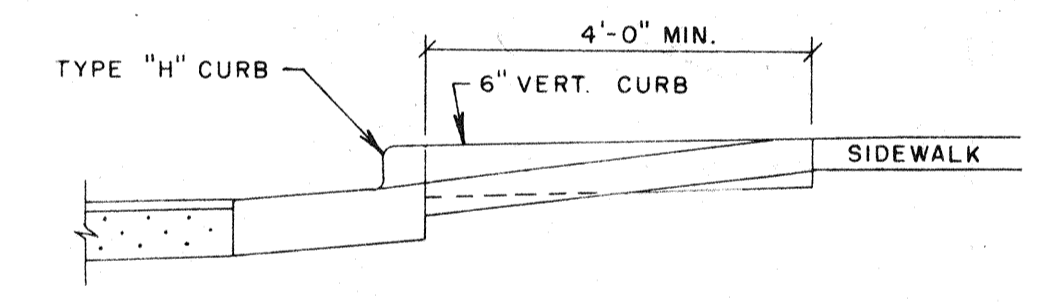
CURBS POURED WITH CONTINUOUS PAVING MACHINE SHALL HAVE JOINTS SAW CUT EVERY 10' FOLLOWING COMPLETION OF POUR. CONSTRUCTION JOINTS SHALL BE 10' O.C. AND 1/2" PREMOLDED EXP JOINTS AT 40' O.C.



PLAN

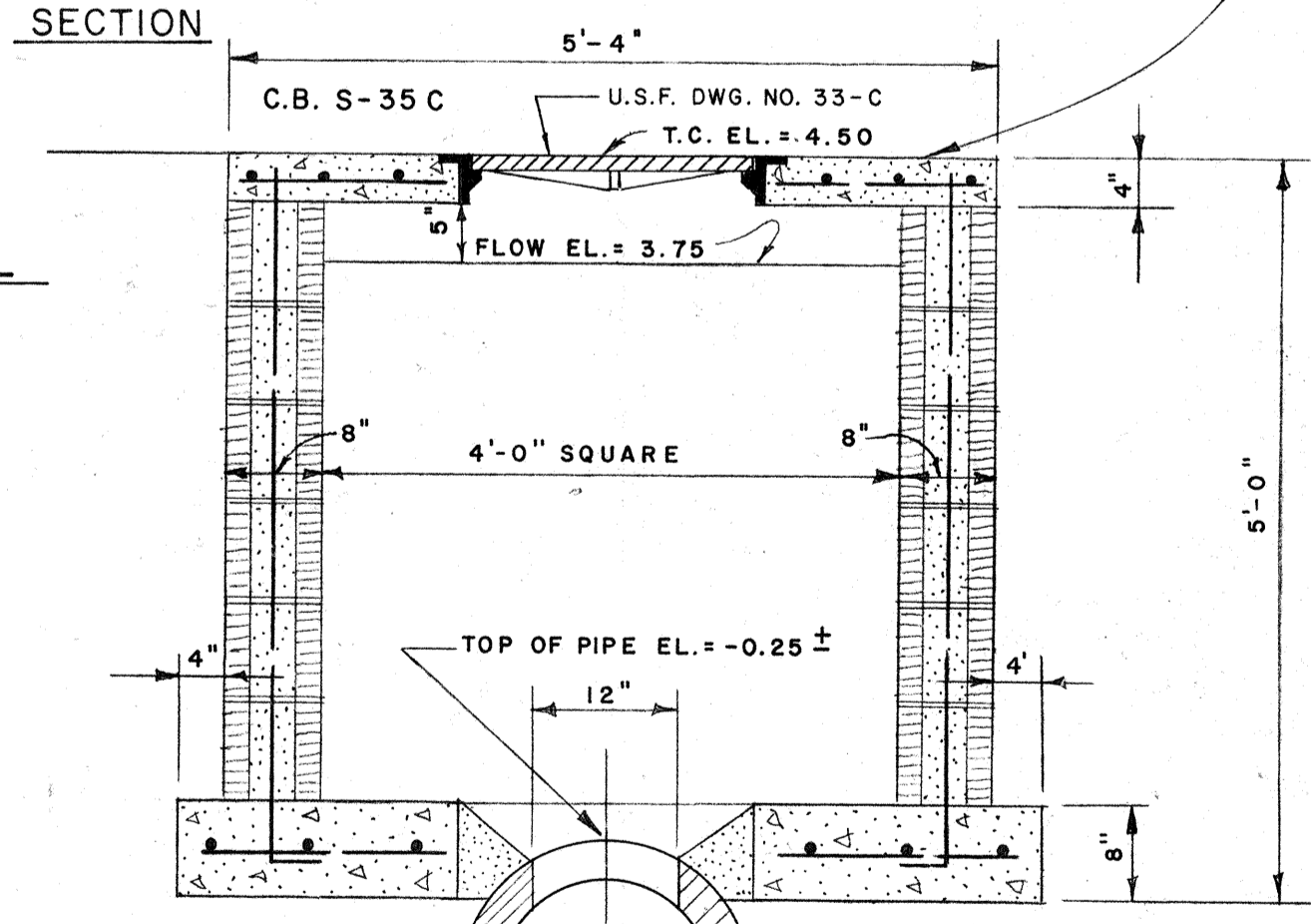
SIDEWALK RAMP DETAIL

SCALE: 1/2" = 1'-0"



SECTION

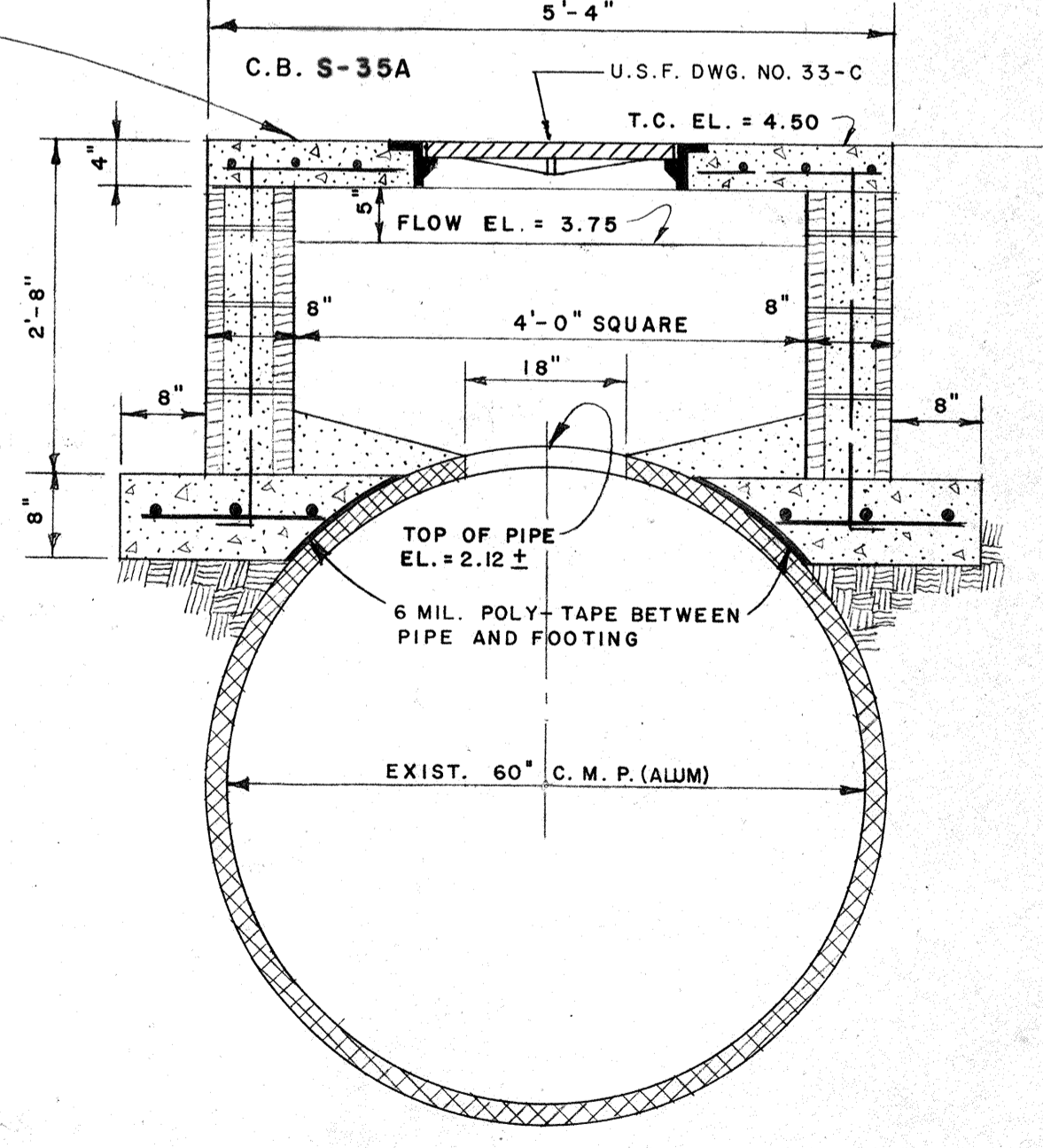
NOTE: FOR CATCH BASIN CONSTRUCTION SEE "TYPICAL CURB INLET" DETAIL ABOVE, THIS SHEET.



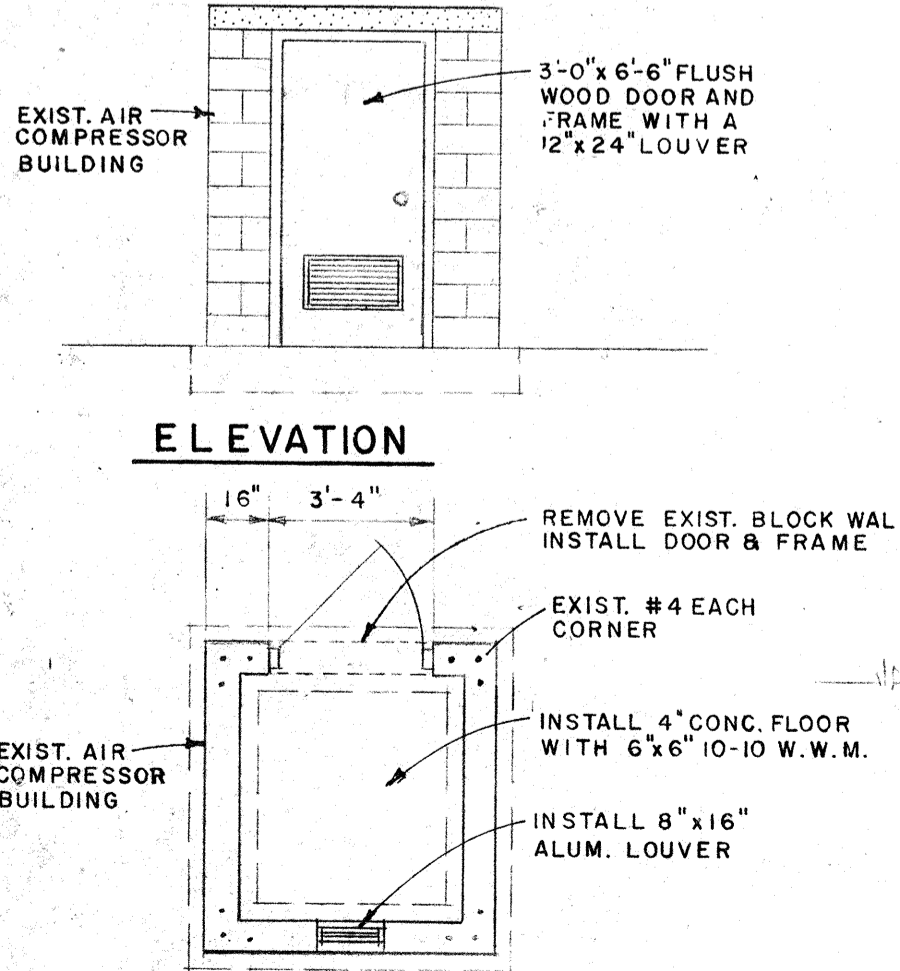
SECTION

CURB INLET DETAIL FOR S-35C & S-35A

SCALE: 3/4" = 1'-0"



SECTION



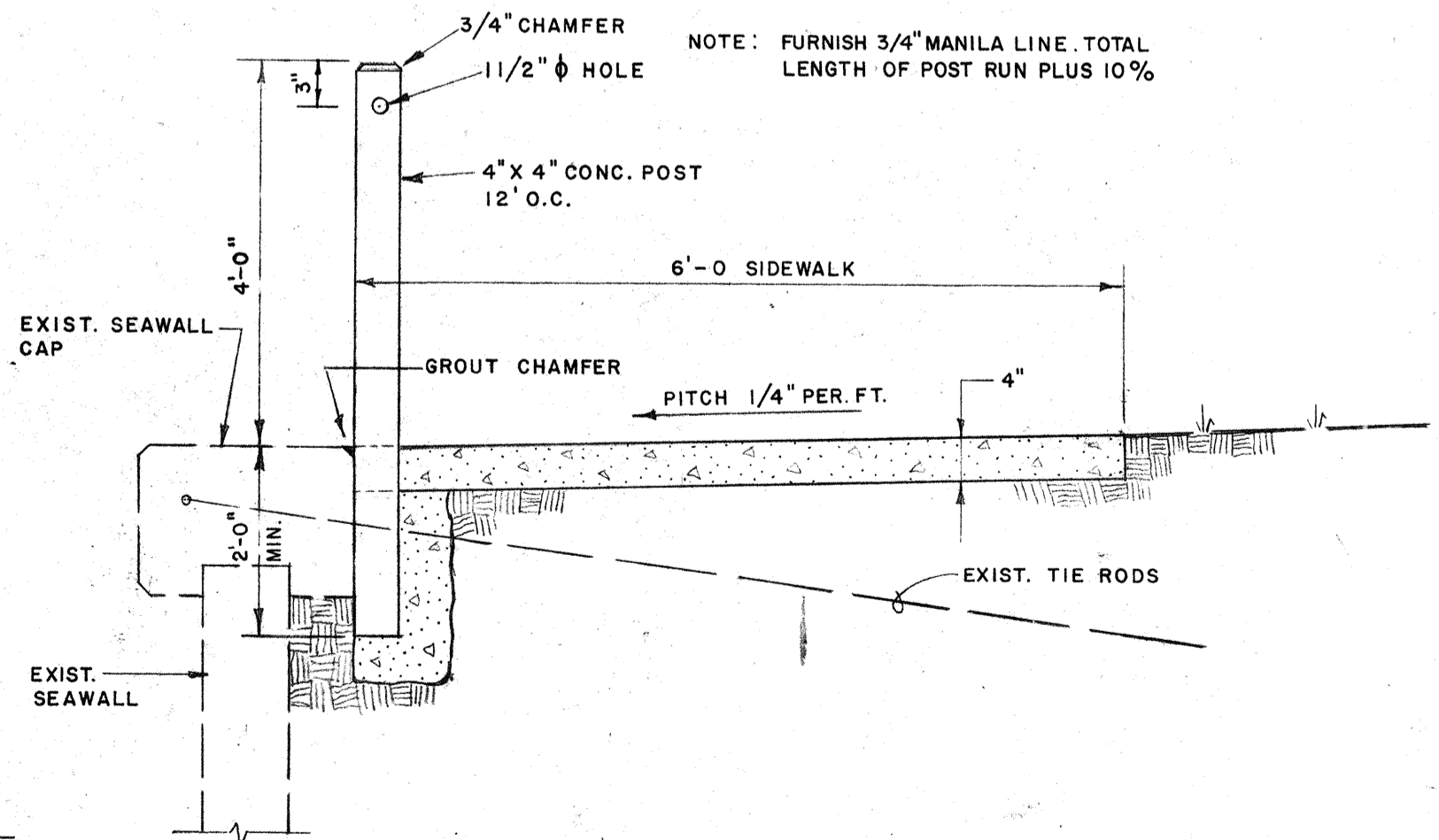
ELEVATION

PLAN

CHEMICAL STORAGE BUILDING DETAIL

SECTION

SCALE: 1/2" = 1'-0"



TYPICAL SIDEWALK SECTION

SCALE: 3/4" = 1'-0"

BENNETT & BISHOP CONSULTING ENGINEERS & SURVEYORS SARASOTA, FLORIDA		ARVIDA CORPORATION BAY ISLES - HARBOUR MOORINGS SARASOTA, FLORIDA	
DATE	SCALE	DESIGN	DRAWN
DATE	SCALE	CHECK	APPROVED
REVISION	AS SHOWN	BY	DATE
DESCRIPTION		PAVING & DRAINAGE DETAILS	
LONGBOAT KEY		DWG. NO.	
191-515			