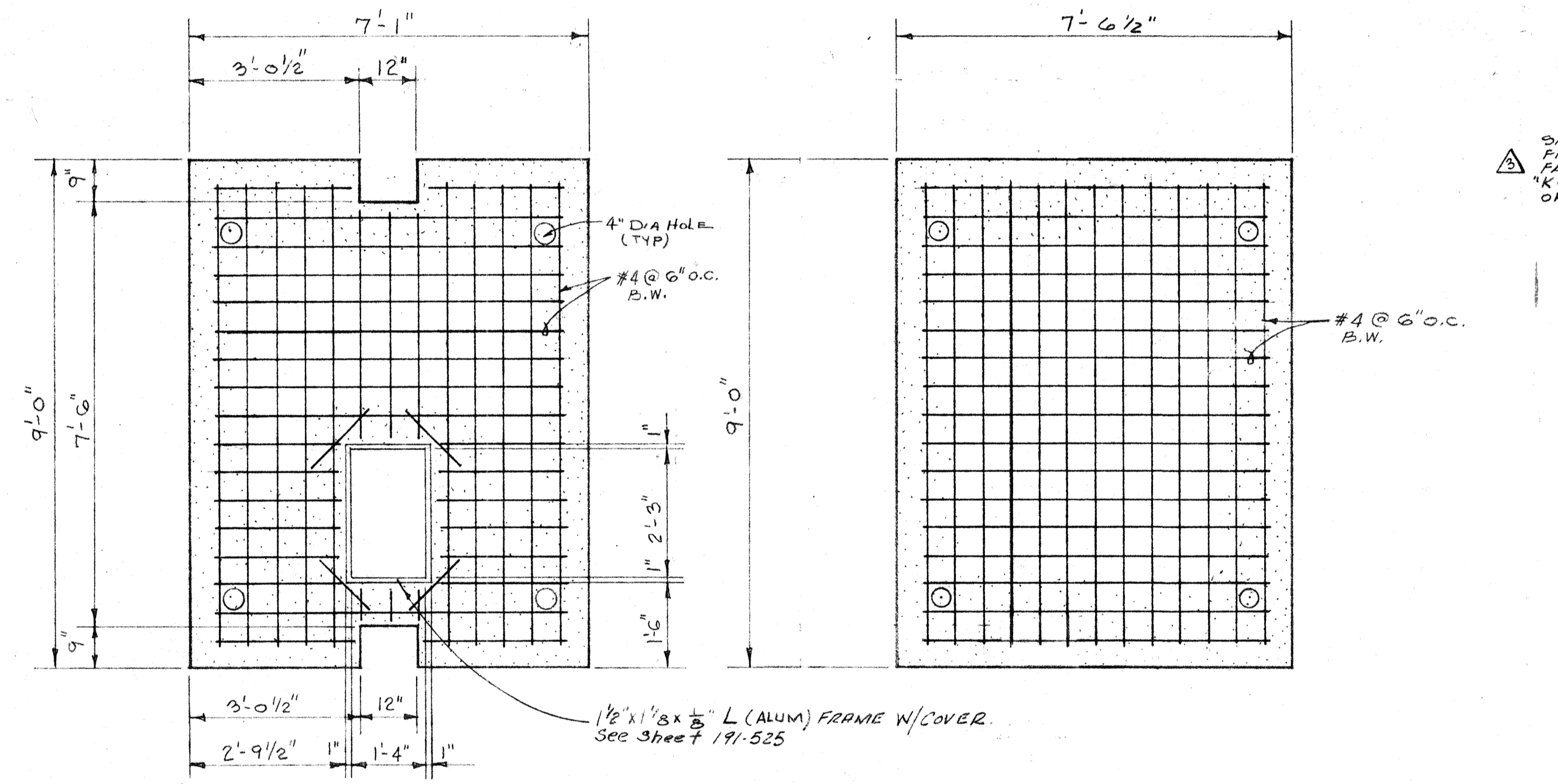


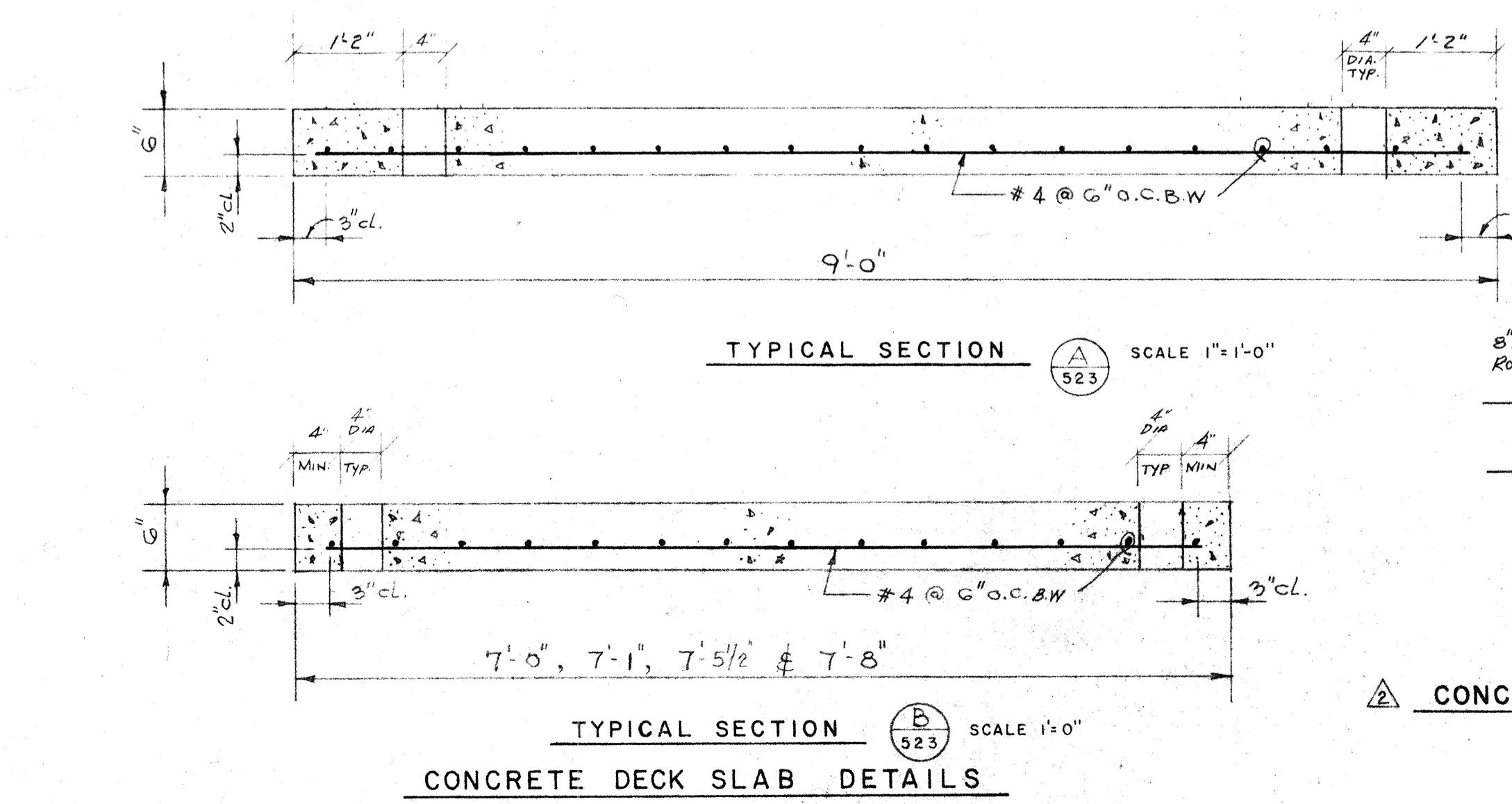
PLAN SCALE 1/2"=1'-0"

PLAN SCALE 1/2"=1'-0"



PLAN SCALE 1/2"=1'-0"

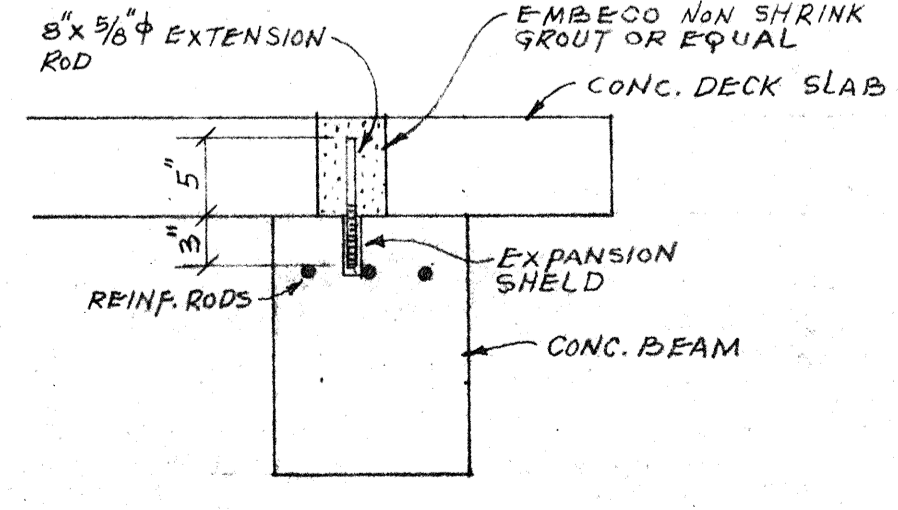
PLAN SCALE 1/2"=1'-0"



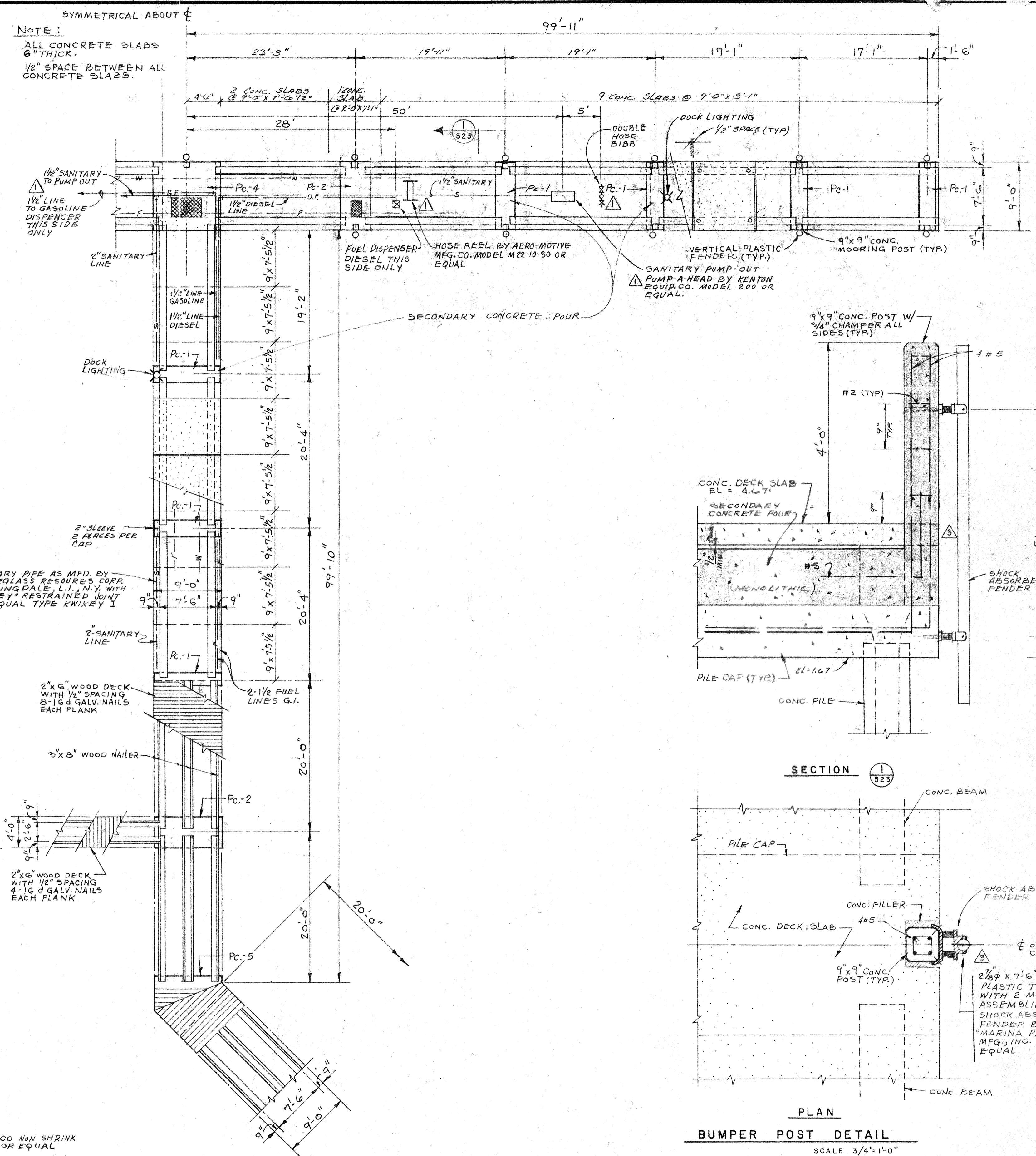
TYPICAL SECTION SCALE 1"=1'-0"

TYPICAL SECTION SCALE 1"=1'-0"

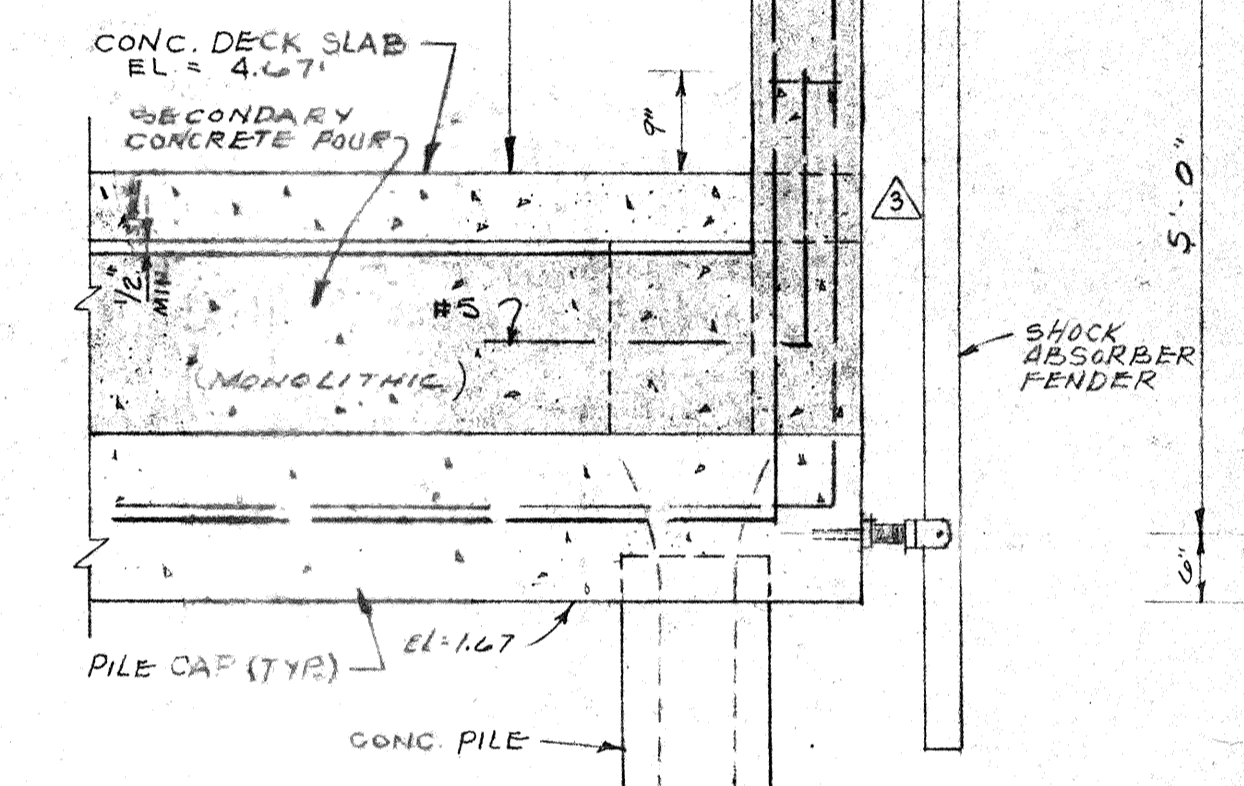
CONCRETE DECK SLAB DETAILS



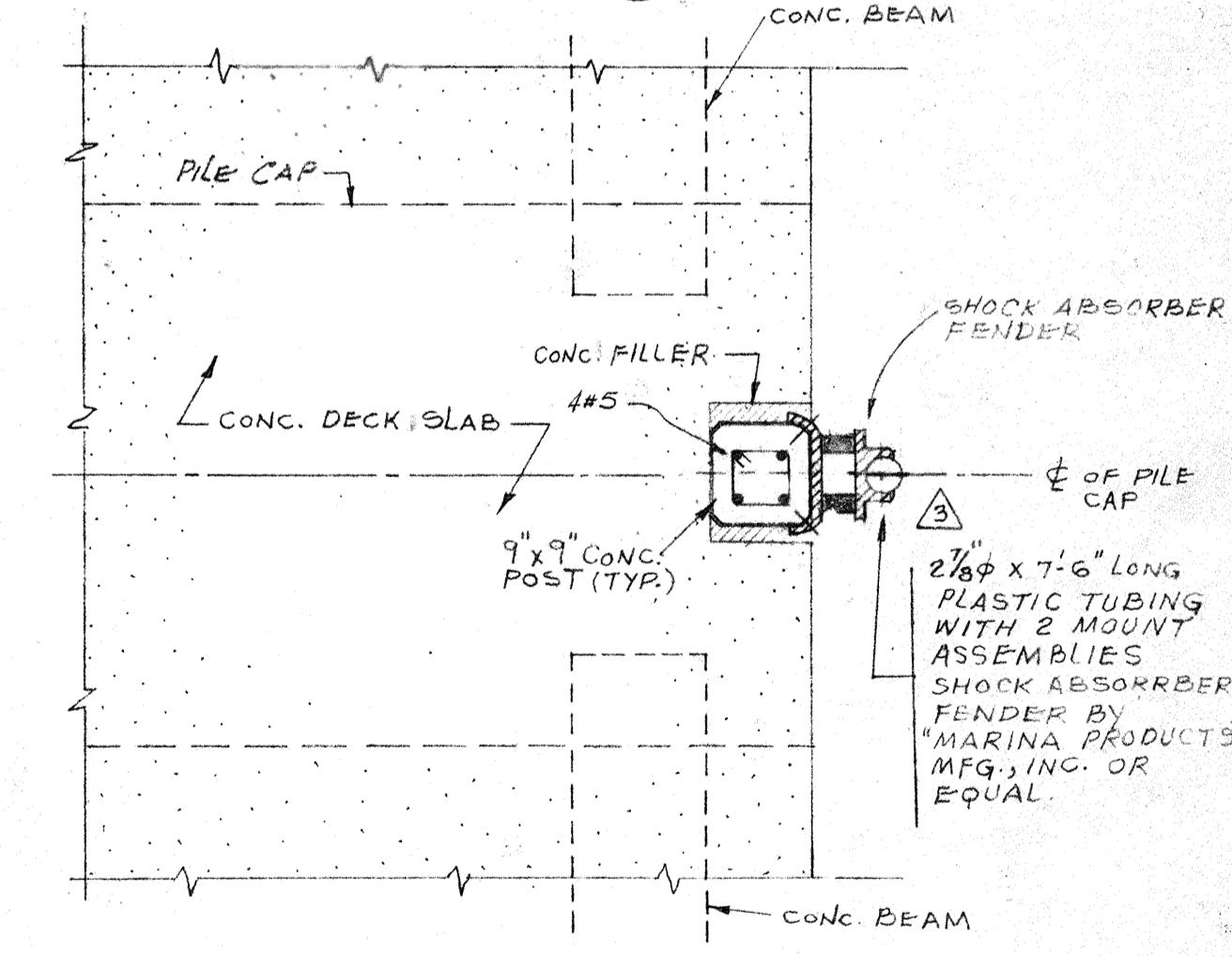
CONCRETE SLAB FASTENING DETAIL SCALE 1"=1'-0"



FUEL DOCK PLAN SCALE 1/8"=1'-0"



SECTION 523



BUMPER POST DETAIL SCALE 3/4"=1'-0"

SYMMETRICAL ABOUT  $\phi$   
 NOTE:  
 ALL CONCRETE SLABS  
 6" THICK.  
 1/2" SPACE BETWEEN ALL  
 CONCRETE SLABS.

2" SLAVE  
 2 REEFS PER  
 CAP  
 SANITARY PIPE AS MFD. BY  
 FIBERGLASS RESOURCES CORP.  
 FARMINGDALE, L.I., N.Y. WITH  
 "KWIKEY" RESTRAINED JOINT  
 OR EQUAL TYPE KWIKEY I

2" x 6" WOOD DECK  
 WITH 1/2" SPACING  
 8-16d GALV. NAILS  
 EACH PLANK  
 3" x 8" WOOD NAILER

8 x 5/8"  $\phi$  EXTENSION  
 ROD  
 EMBEDDED NON SHRINK  
 GROUT OR EQUAL  
 CONC. DECK SLAB  
 EXPANSION  
 SHIELD  
 REINF. RODS  
 CONC. BEAM

**BENNETT & BISHOP**  
 CONSULTING ENGINEERS & SURVEYORS  
 SARASOTA, FLORIDA

DATE	SCALE	AS NOTED	DESIGN	DRAWN	CHECK	APPROVED
JAN. 11, 1982						

ARVIDA CORPORATION  
 BAY ISLES - HARBOUR MOORINGS  
 FUEL DOCK DETAILS

LONGBOAT KEY  
 DWG. No. 191-523