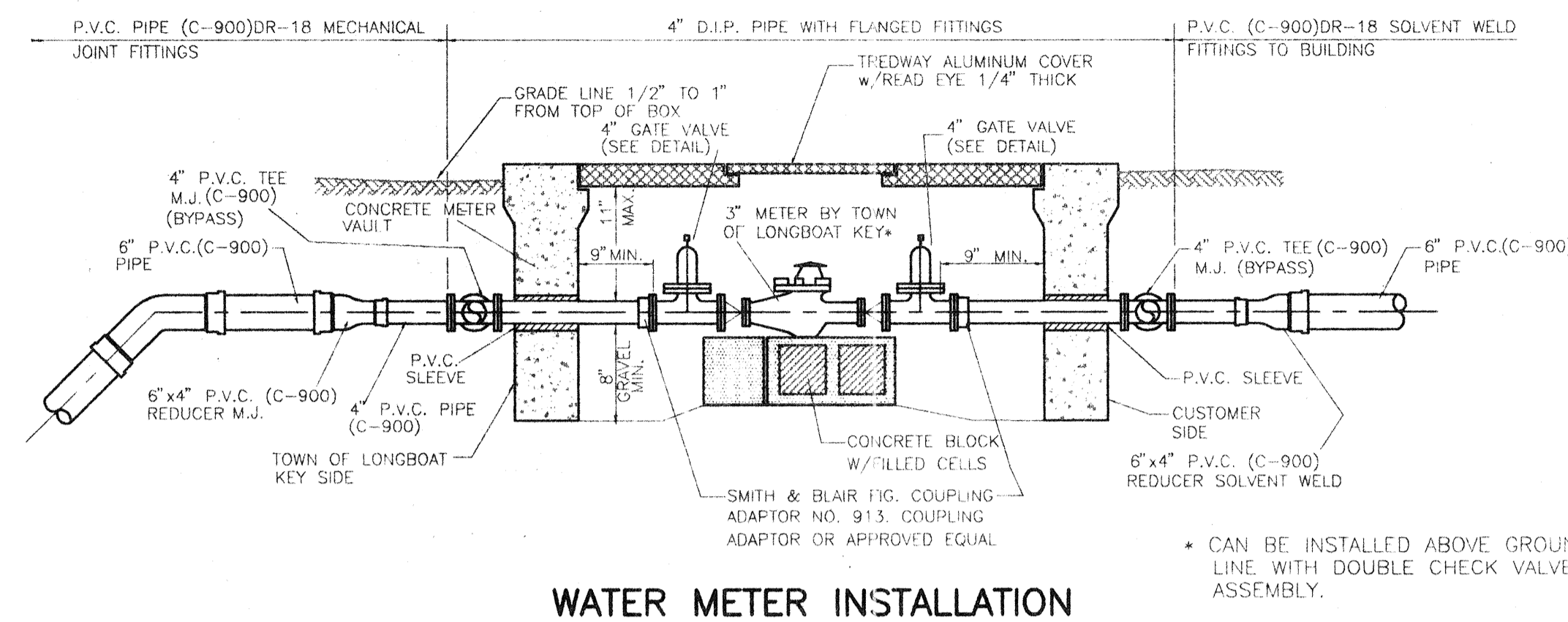


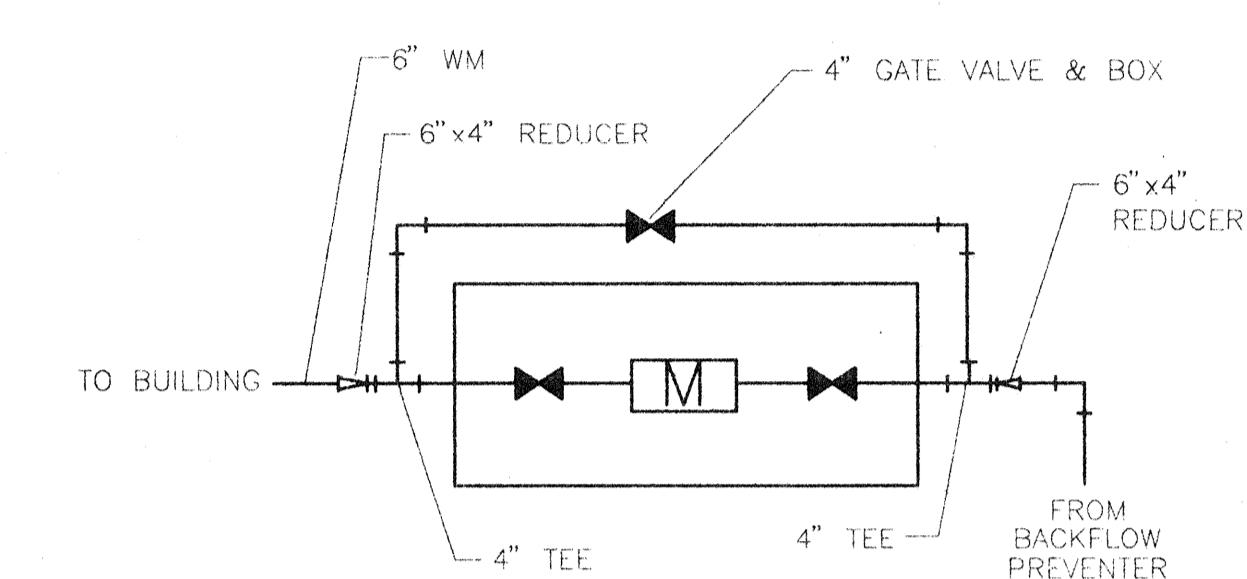
**FIRE BACKFLOW PREVENTER DETAIL**



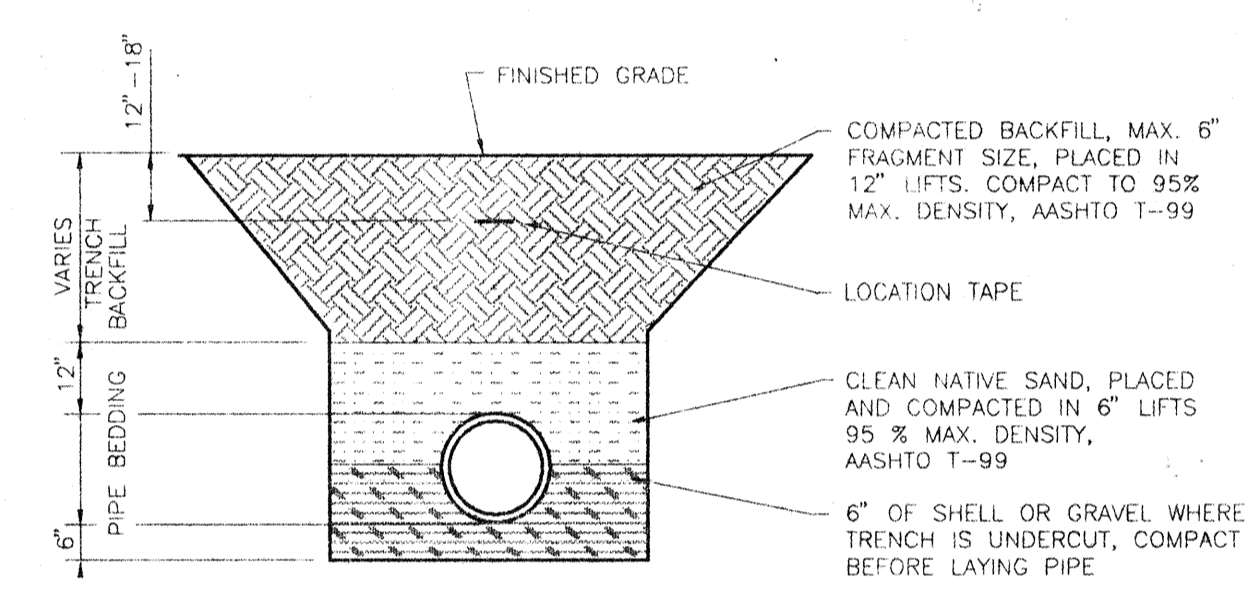
**WATER METER INSTALLATION**

**NOTES:**

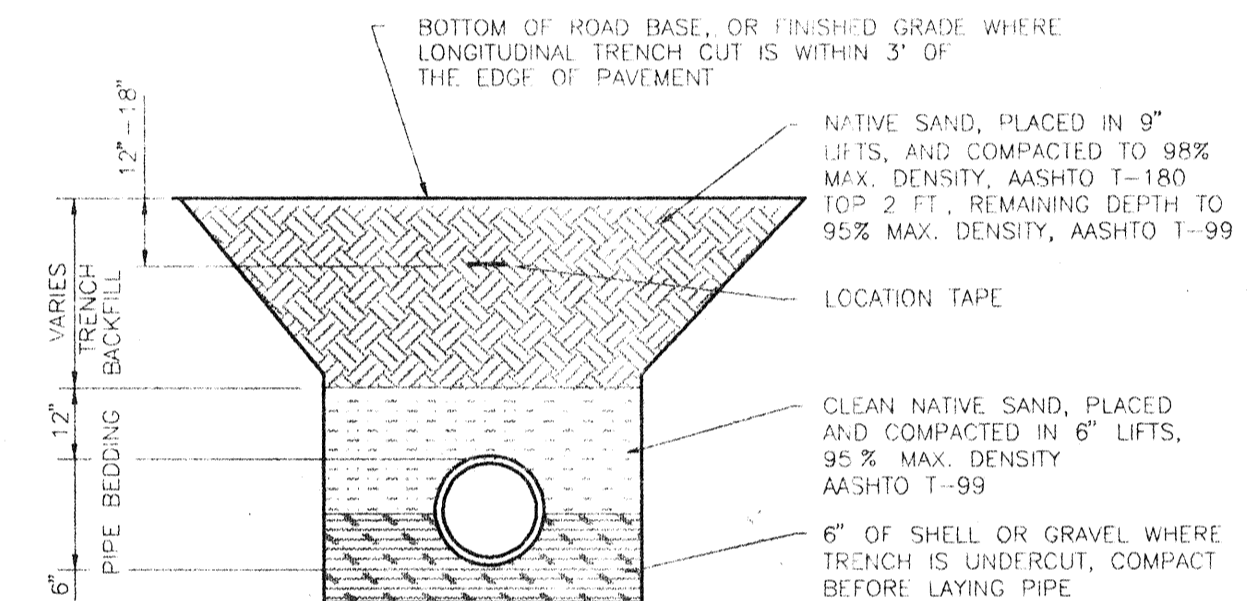
1. ALL P.V.C. WATERMAIN SHALL BE COLOR CODED BLUE W/CLASS DR-18,(AWWA C-900), W/36\"/>



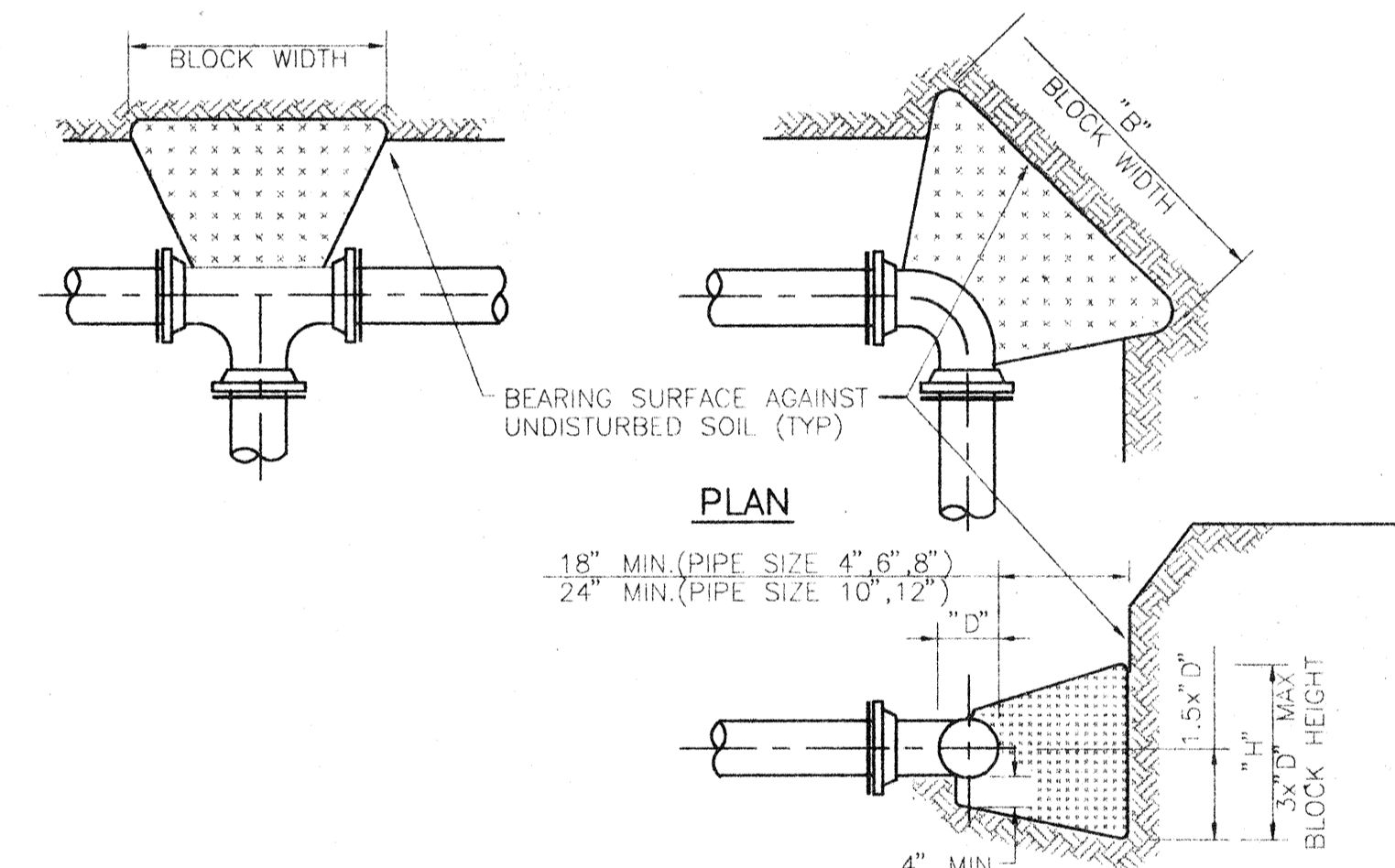
**METER BOX SCHEMATIC**



**TRENCH "B" DETAIL**



**TRENCH "A" DETAIL**



**TYPICAL SECTION**

BEARING SURFACE AREA ( SQ. FT. )

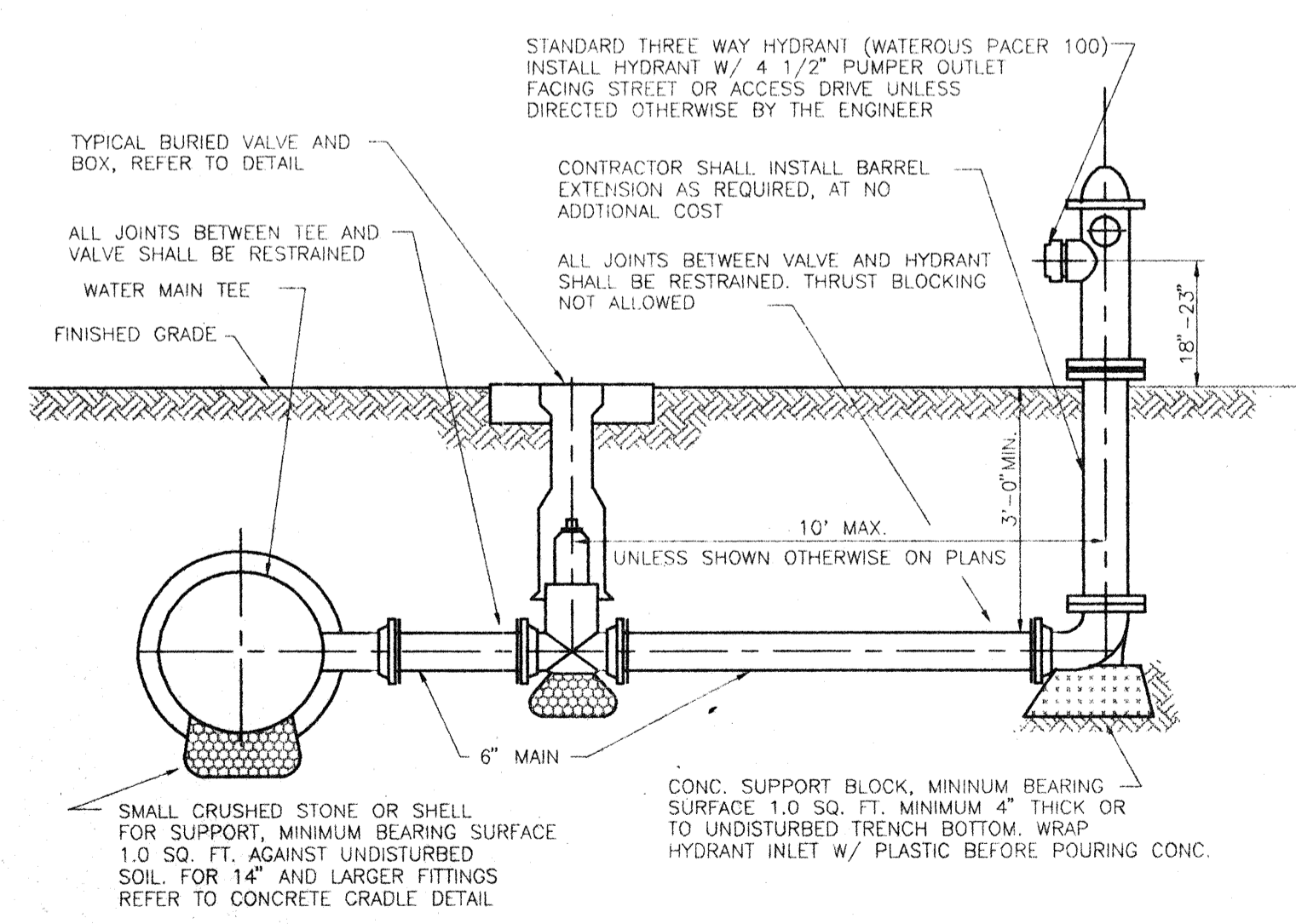
PIPE SIZE	90° ELB	45° ELB	22 1/2° ELB.	TEE OR PLUG
4"	2.0	1.1	1.0	1.4
6"	4.5	2.4	1.2	3.2
8"	8.0	4.3	2.2	5.7
10"	12.5	6.8	3.5	8.8
12"	18.0	9.7	5.0	12.7

DESIGN PRESSURE = 150 PSI

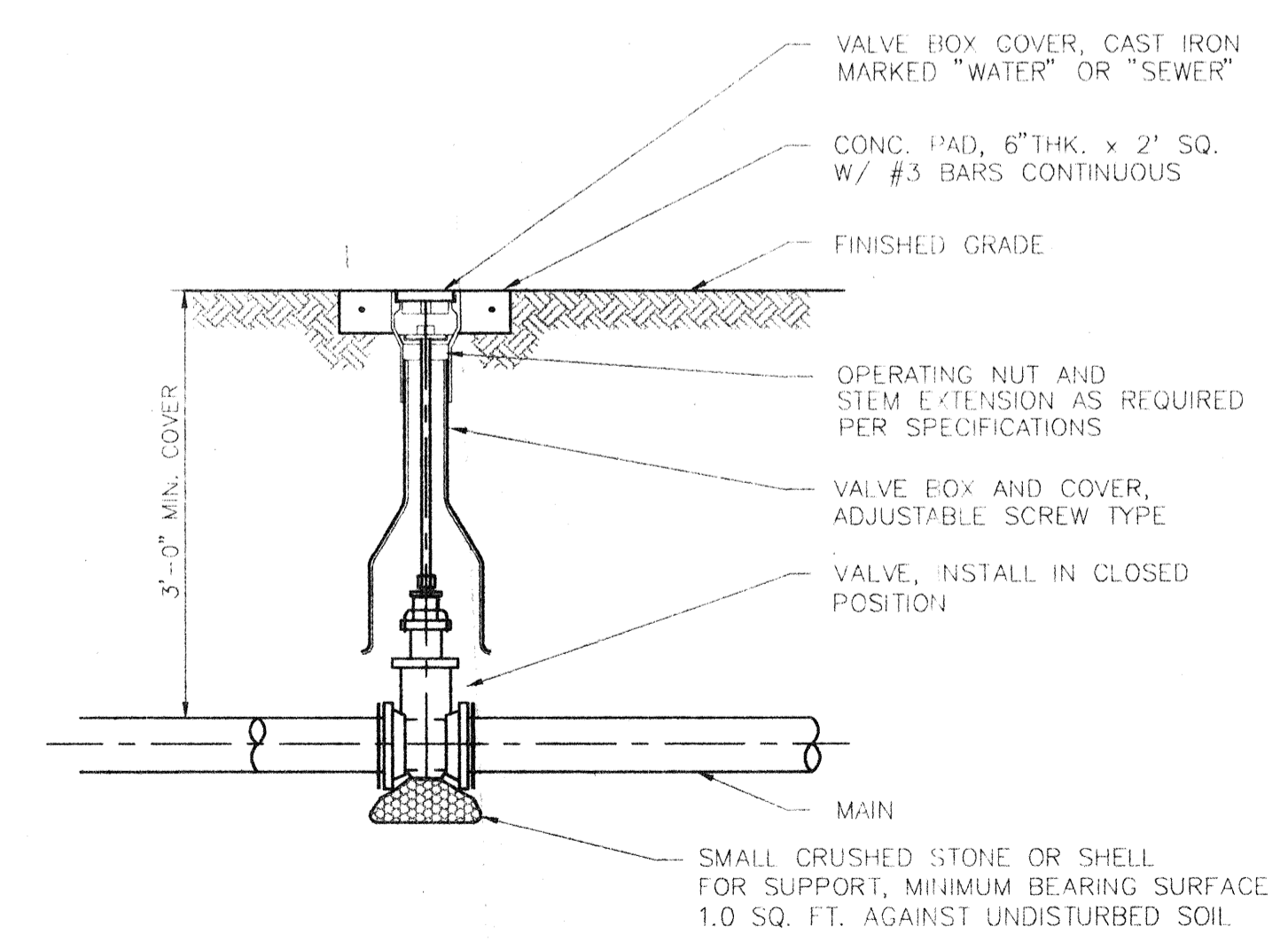
**NOTES**

1. THRUST BLOCK BEARING AREA BASED ON 2000 PSF SAFE SOIL BEARING. IF ACTUAL SOIL BEARING IS LESS THAN 2000 PSF, CONTRACTOR SHALL BE REQUIRED TO PLACE ADDITIONAL THRUST BEARING AS DETERMINED BY THE ENGINEER, AT NO ADDITIONAL COST.
2. THRUST BLOCKS SHALL BE POURED AGAINST UNDISTURBED SOIL.
3. CONCRETE SHALL BE KEPT CLEAR OF "T" BOLT AND PLACED BENEATH FITTINGS AS SHOWN FOR SUPPORT. WRAP ALL FITTINGS WITH PLASTIC BEFORE POURING THRUST BLOCK CONCRETE.
4. BEFORE POURING CONCRETE, PLUGS SHALL BE WRAPPED WITH PLASTIC AND A PRESSURE TREATED BOARD PLACED BETWEEN IT AND THE CONCRETE.
5. "B" SHALL NOT EXCEED 2 x "H".

**WATER MAIN THRUST BLOCK DETAIL**



**TYPICAL FIRE HYDRANT ASSEMBLY DETAIL**



**BURIED VALVE DETAIL**

**GRAND BAY**  
 PHASE V CONSTRUCTION PLANS  
 WATER DETAILS

DATE	1/19/95
SCALE	NONE
DESIGN	STAFF
DRAWN	SWF
CHECKED	
APPROVED	

**Landry & Esber**  
 ENGINEERS - SURVEYORS  
 130 N. Tamiami Trail, Suite 301, Sarasota, Florida 34236  
 (813) 955-6004 FAX (813) 955-7501

APPROVED: *[Signature]*  
 ENGINEER OF RECORD DATE: 5/15/95  
 ISSUED FOR CONSTRUCTION

PROJECT NO: B00125  
 SHEET NO: C-4