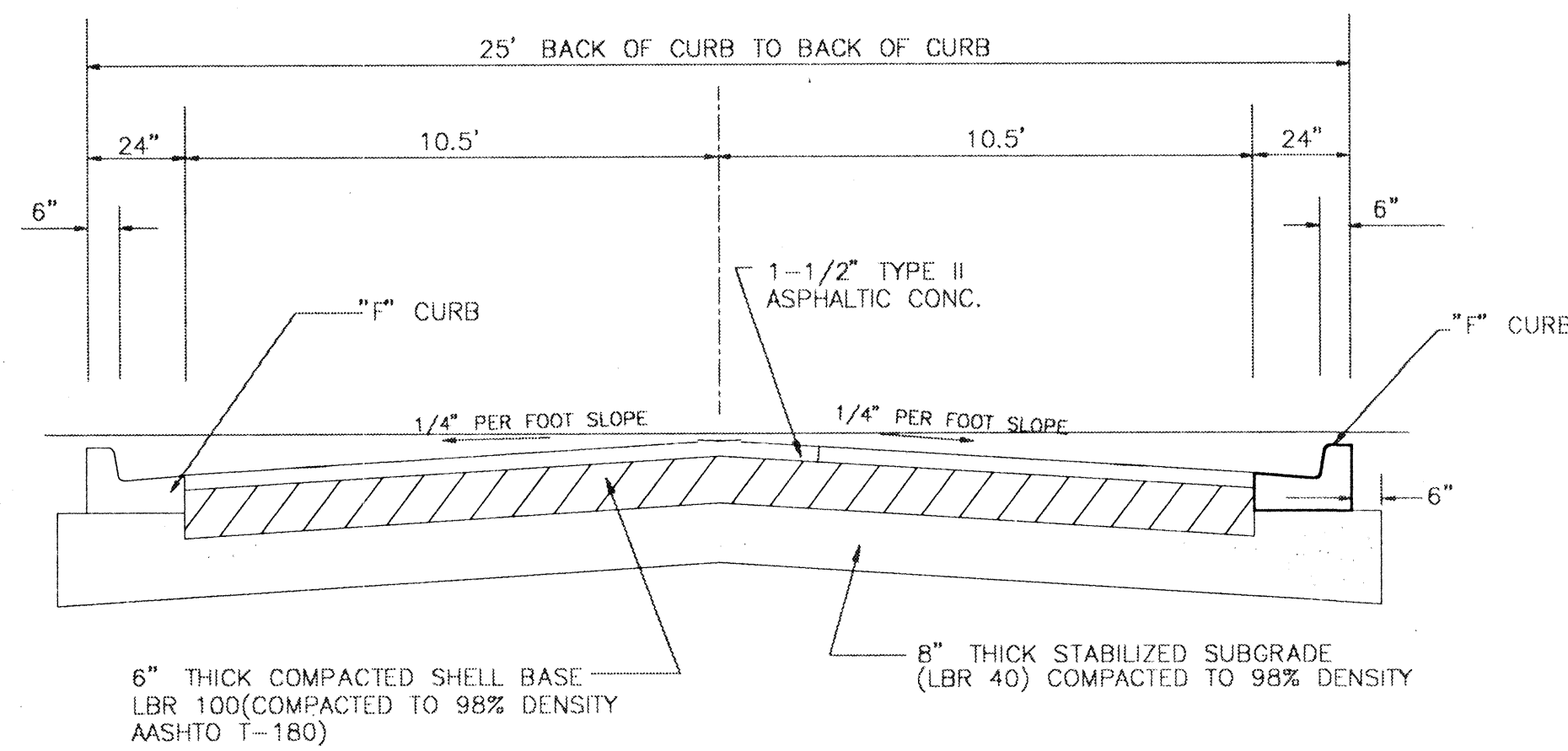
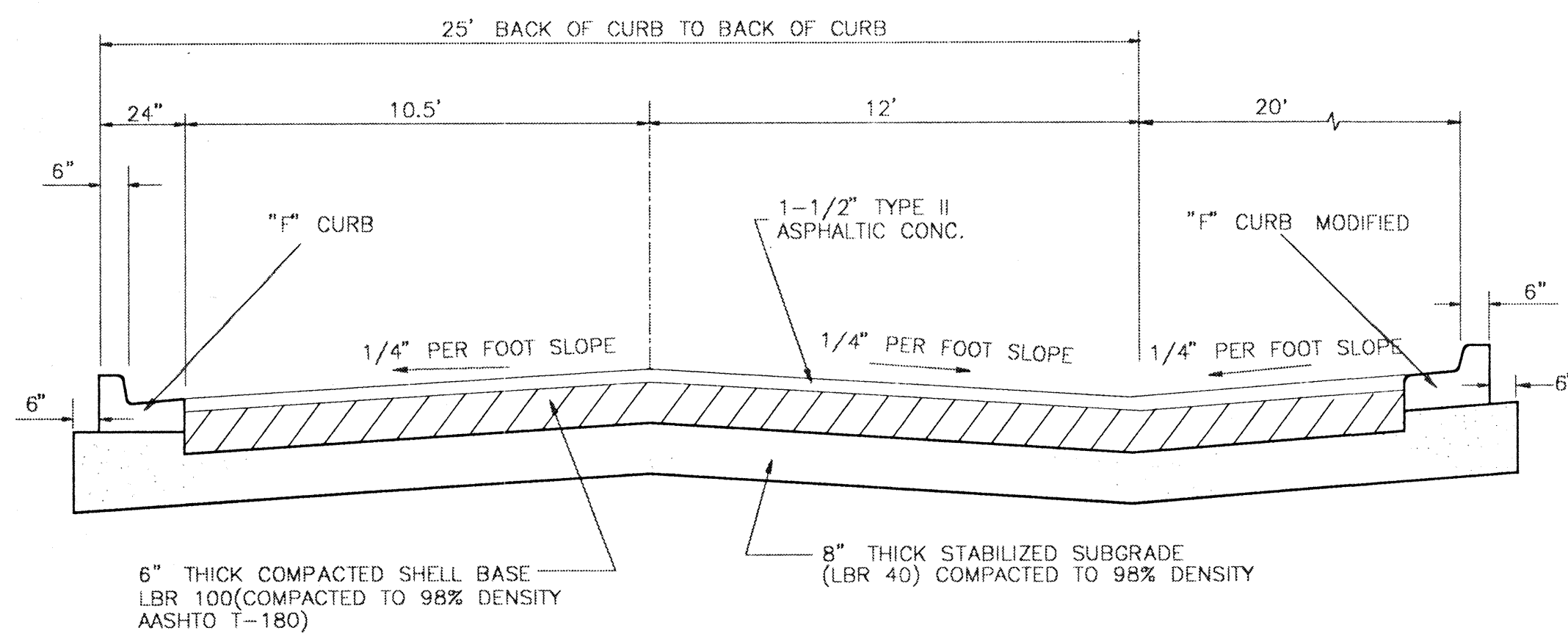


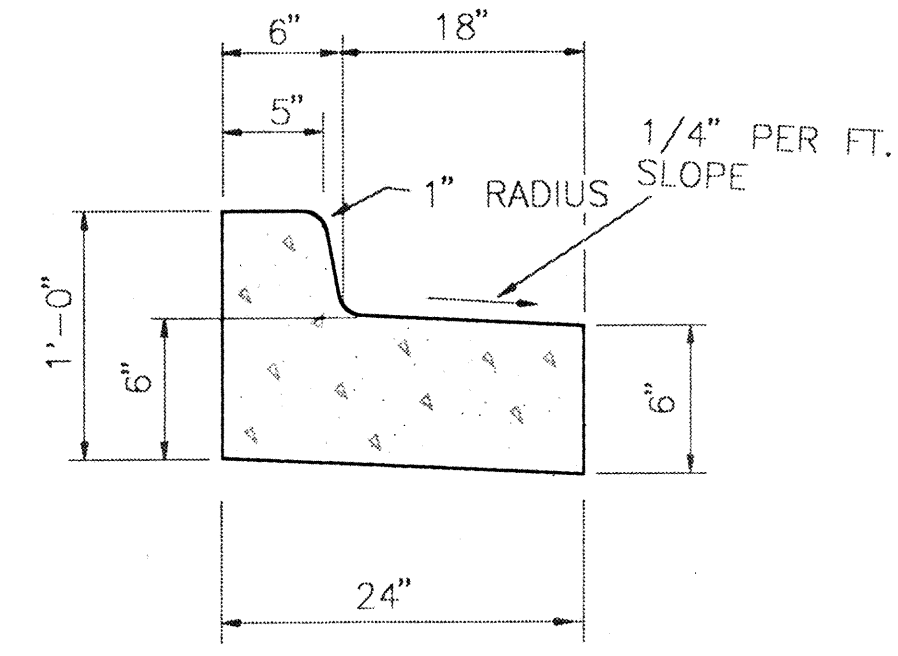
TYPICAL ENTRANCE ROADWAY SECTION
N.T.S.



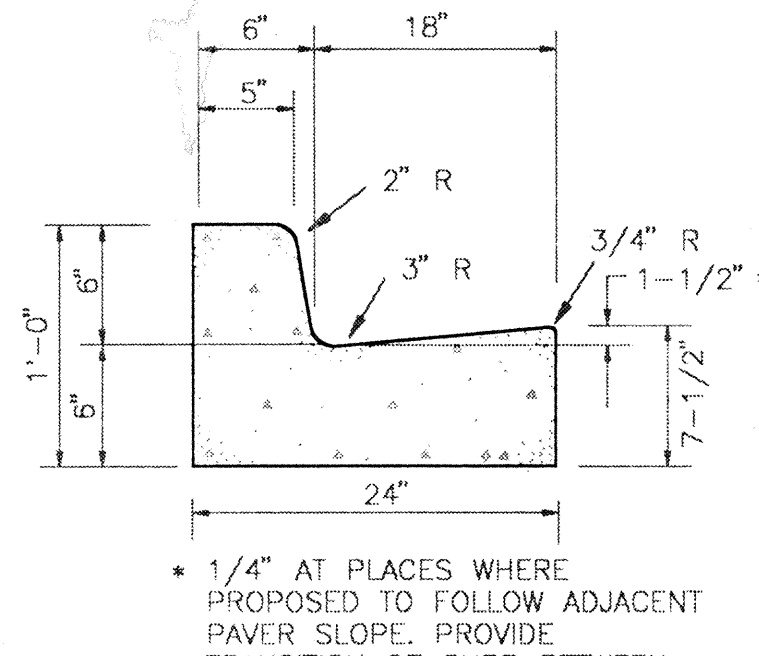
TYPICAL ROADWAY SECTION
N.T.S.



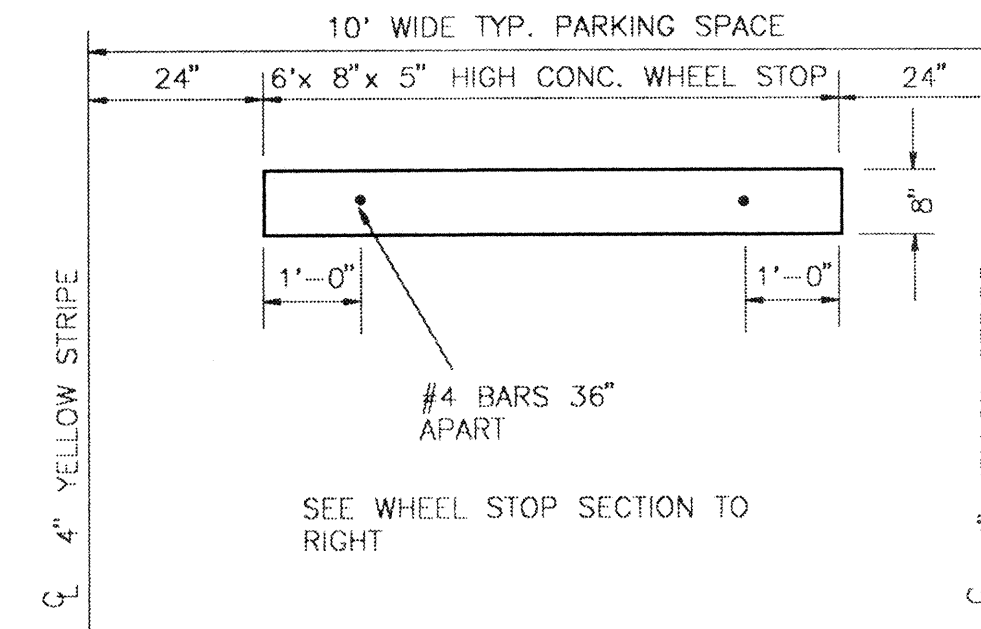
TYPICAL ROADWAY SECTION & PARKING SECTION
N.T.S.



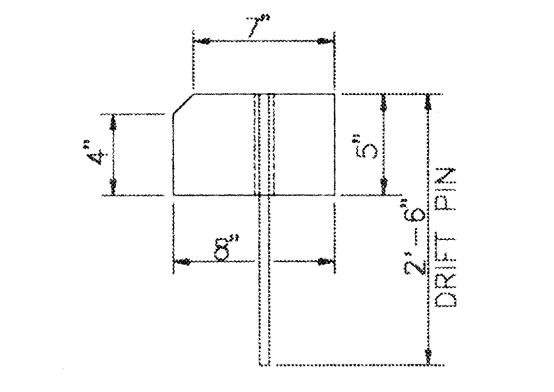
CAUTION: NOTE CURB TRANSITIONS ON GRADING PLAN
TYPE "F" CURB MODIFIED
N.T.S.



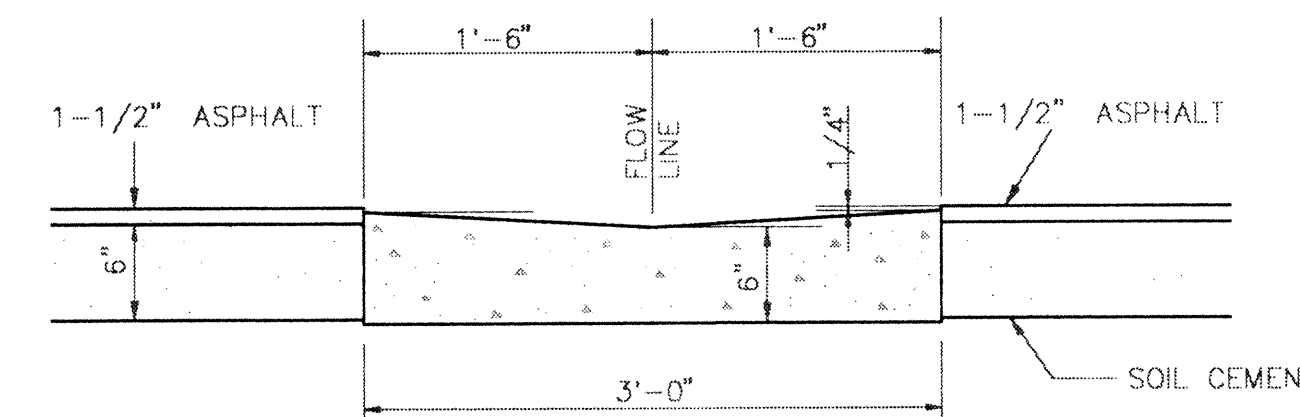
* 1/4" AT PLACES WHERE PROPOSED TO FOLLOW ADJACENT PAVER SLOPE. PROVIDE TRANSITION OF CURB BETWEEN REGULAR "F" CURB AND MODIFIED AS ABOVE.
TYPE "F" CURB
N.T.S.



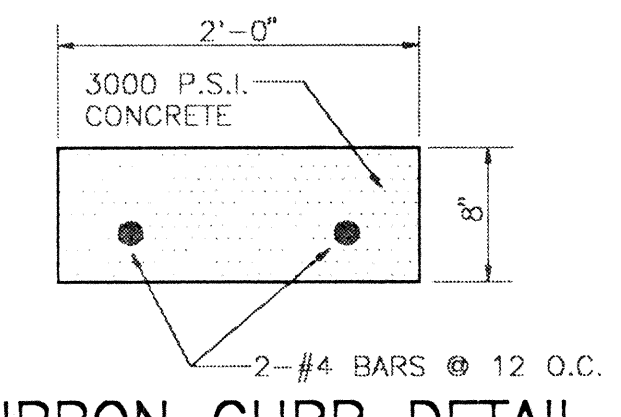
CONCRETE WHEEL STOP
N.T.S.



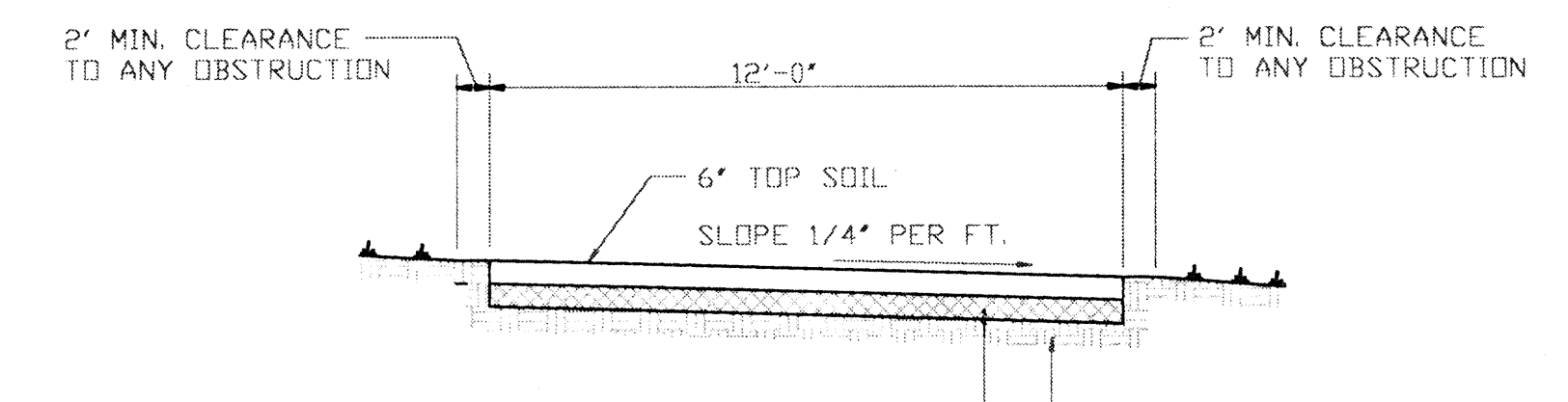
WHEEL STOP SECTION
N.T.S.



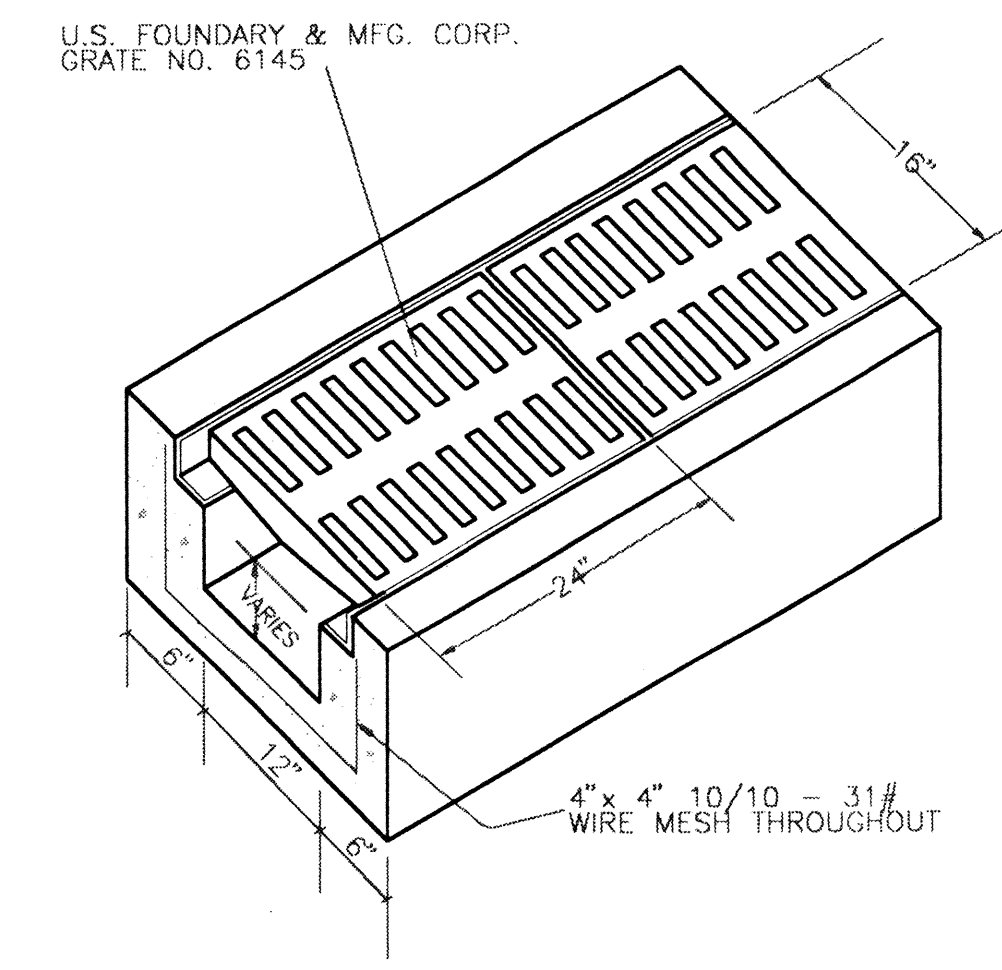
3' VALLEY GUTTER
N.T.S.



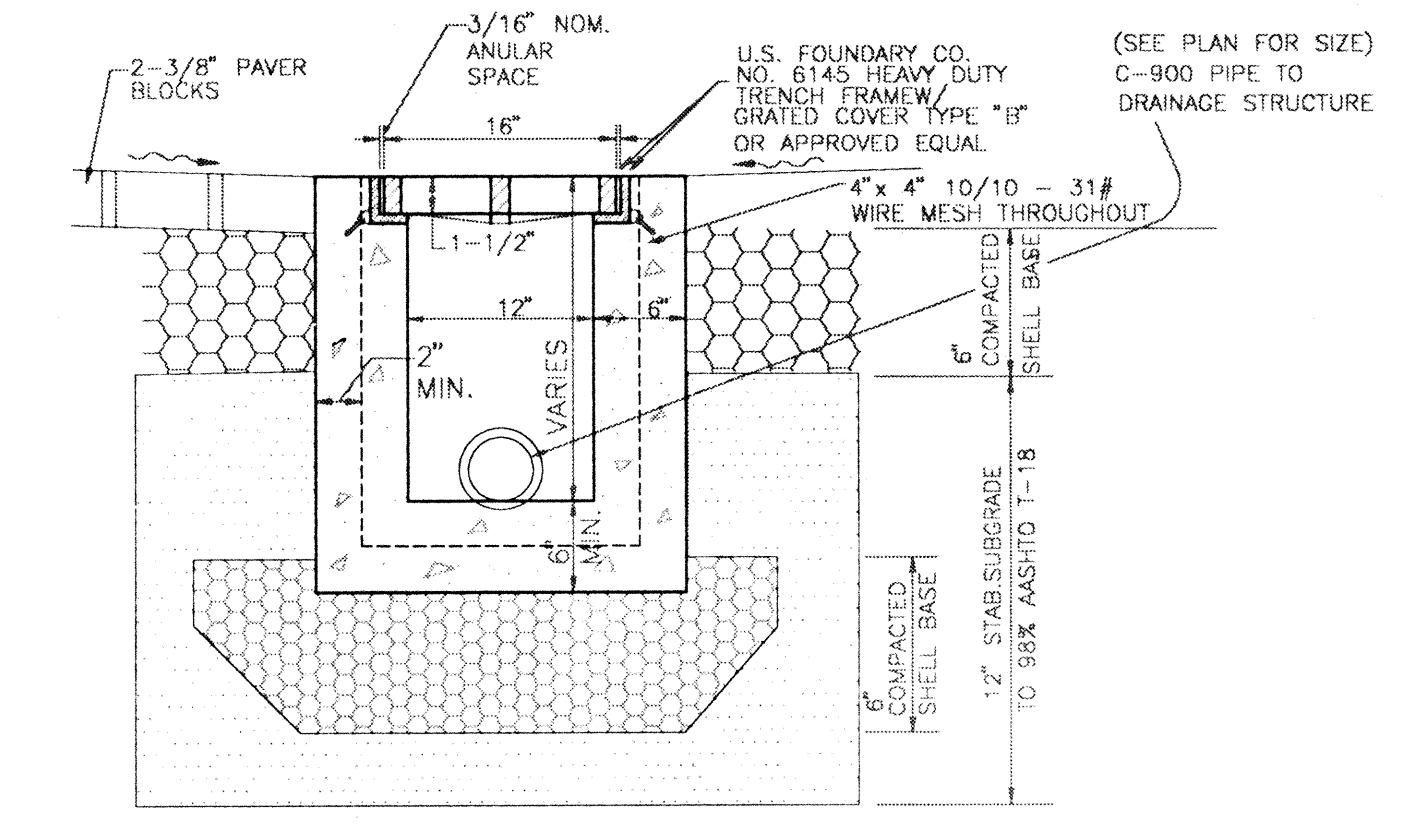
RIBBON CURB DETAIL
N.T.S.



TYPICAL SECTION OF 12' EMERGENCY VEHICLE ACCESS DRIVE
N.T.S.



ISOMETRIC VIEW TRENCH DRAIN
N.T.S.



TRENCH DRAIN SECTION
N.T.S.

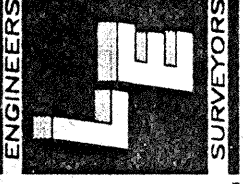
PLOT DATE: 5/24/93
CAD FILE: A0101C14.DWG

CONSTRUCTION PLANS - PH.1

GRAND BAY
ARVIDA / JMB PARTNERS
PAVING, GRADING, AND DRAINAGE DETAILS

| DATE | INITIALS | DESCRIPTION |
|------------|----------|-------------|
| APRIL 1993 | | AS NOTED |
| | | STAFF |
| | | RVC |
| | | CHD: |
| | | D.A. |
| | | APPROVED: |

Landry & Eber
ENGINEERS SURVEYORS
130 N. Tomiami Trail, Suite 301 Sarasota, Florida 34236
(813)955-6004 FAX (813)955-5801



APPROVED: *[Signature]* DATE: 6/18/93
ENGINEER OR SURVEYOR OF RECORD
NOT ISSUED FOR CONSTRUCTION

PROJECT NO: A00101
SHEET NO: 14

CONSTRUCTION PLANS - PH.1