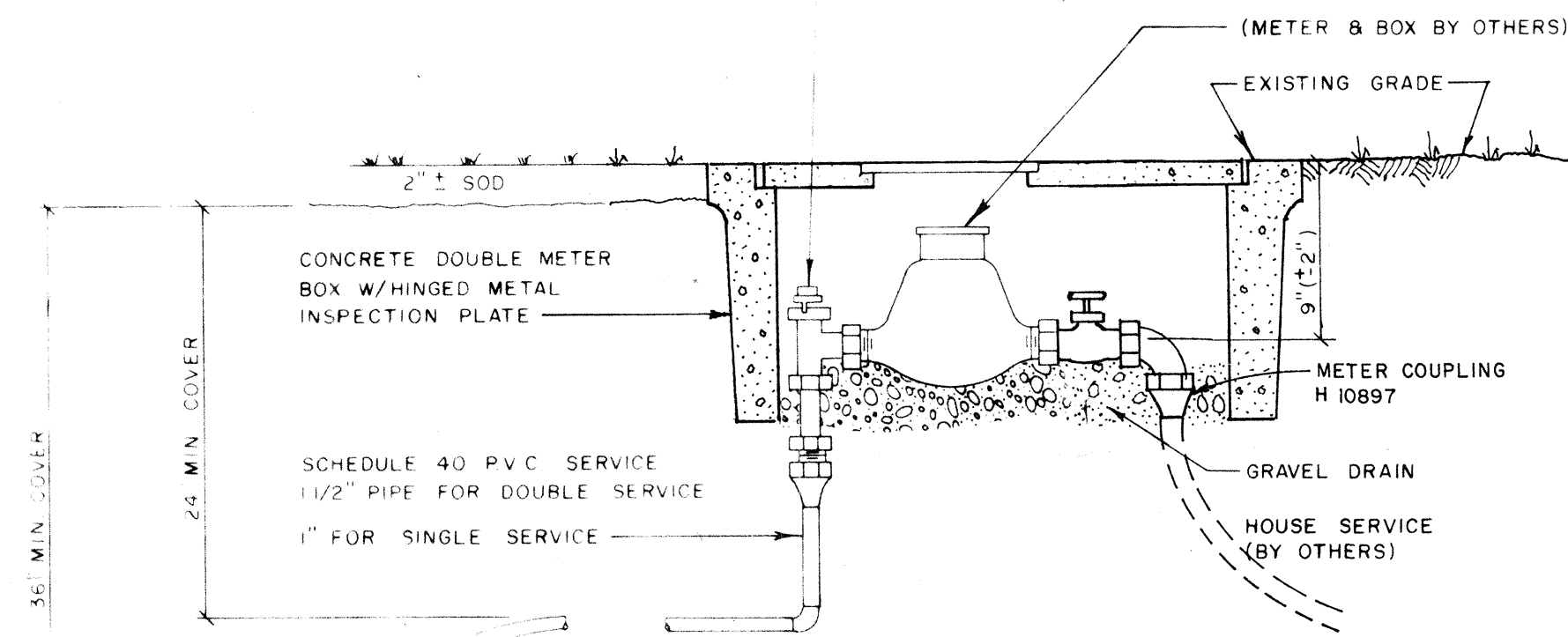
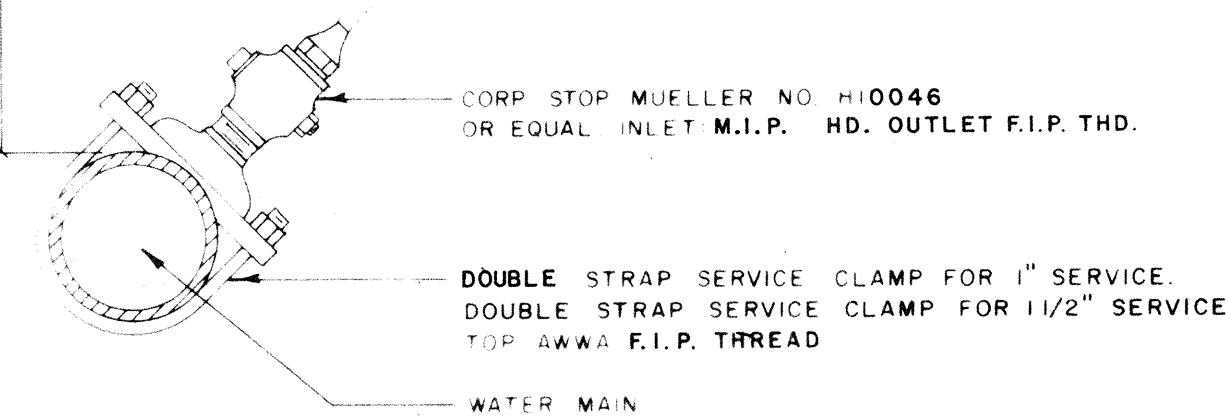


ANGLE WATER METER STOP W/LOCKWING STOP MUELLER NO H14285 OR EQUAL INLET (I.P.) OUTLET SWIVEL NUT DRILLED FOR WIRE SEAL W/METER SPUD THD.



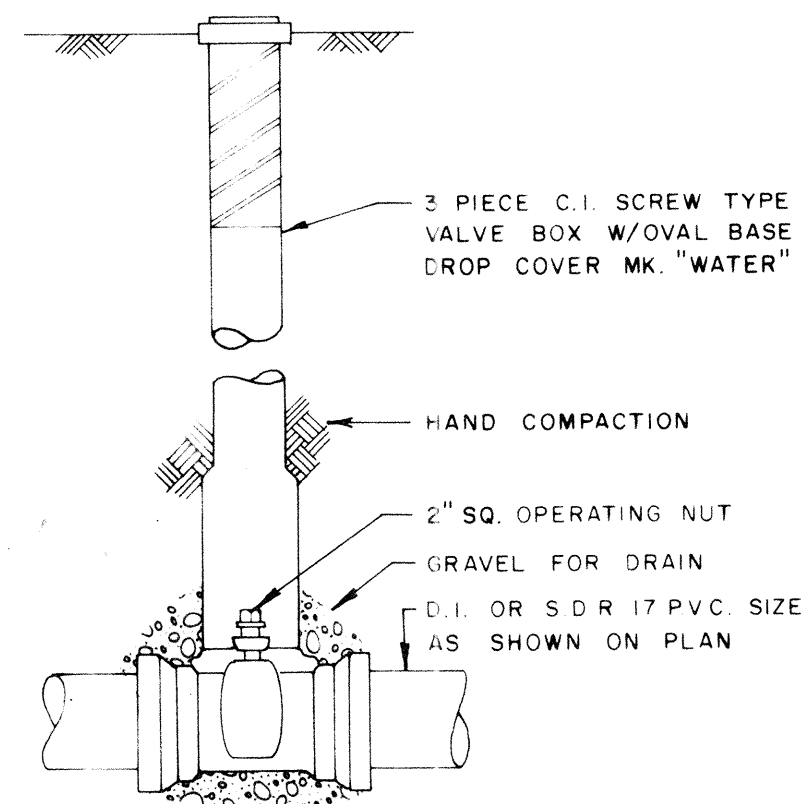
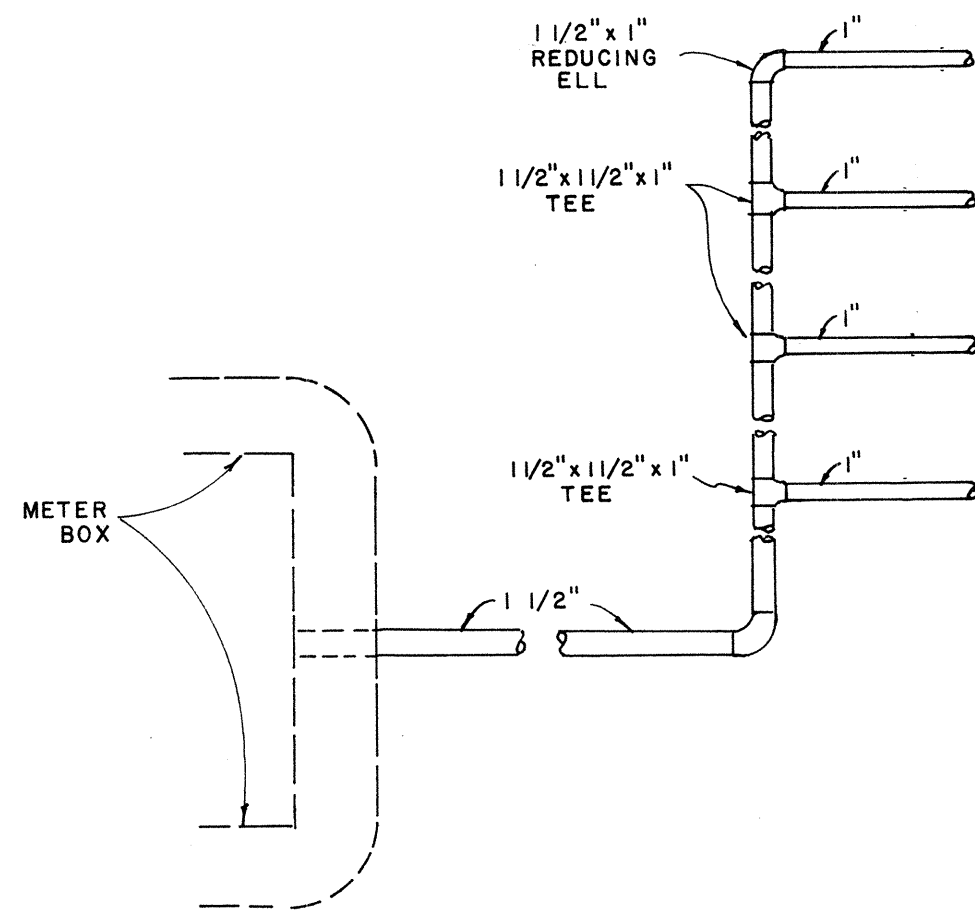
**TYPICAL METERED SERVICE DETAILS**

NO SCALE



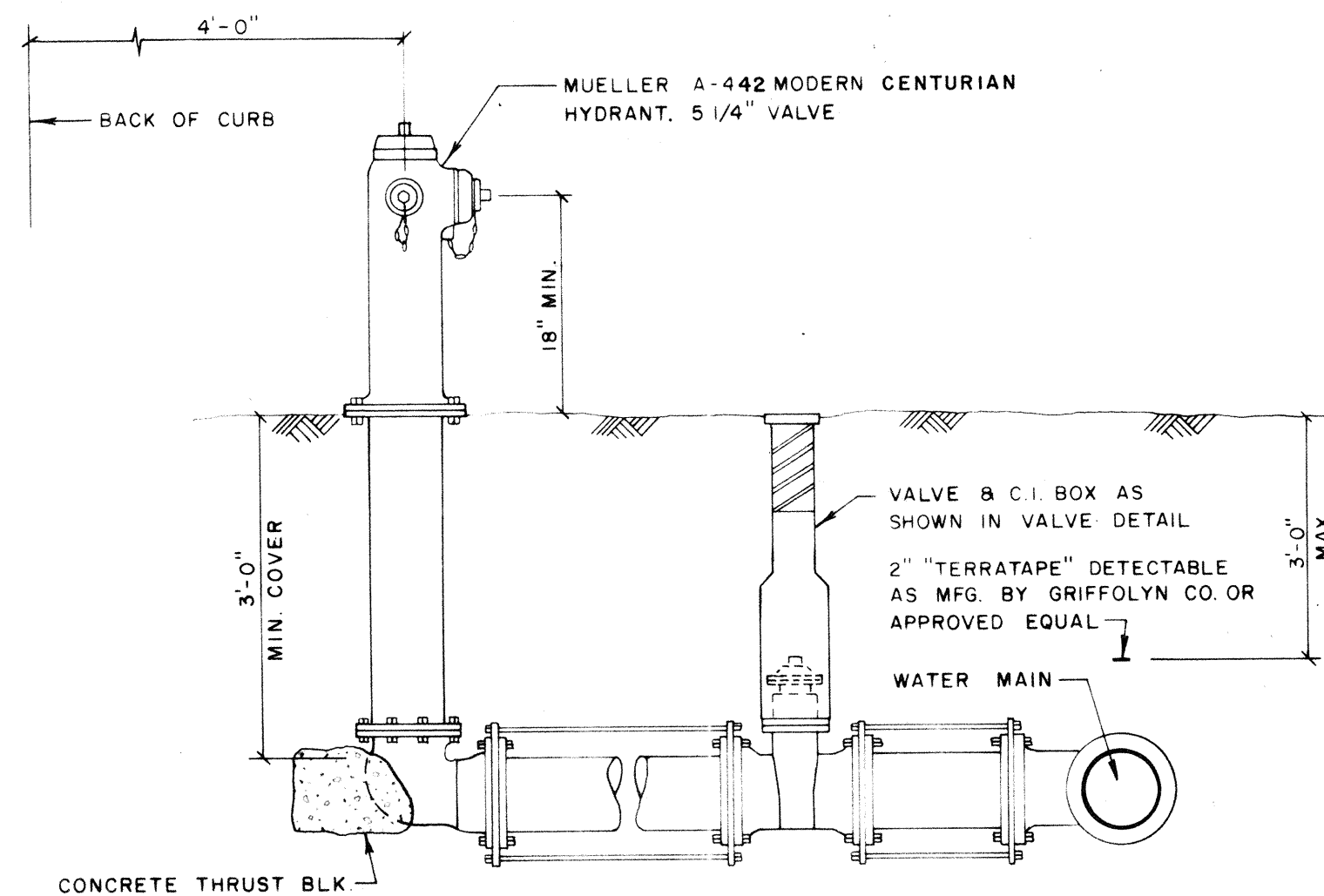
**TYPICAL 1/2" SERVICE DETAIL**

NO SCALE



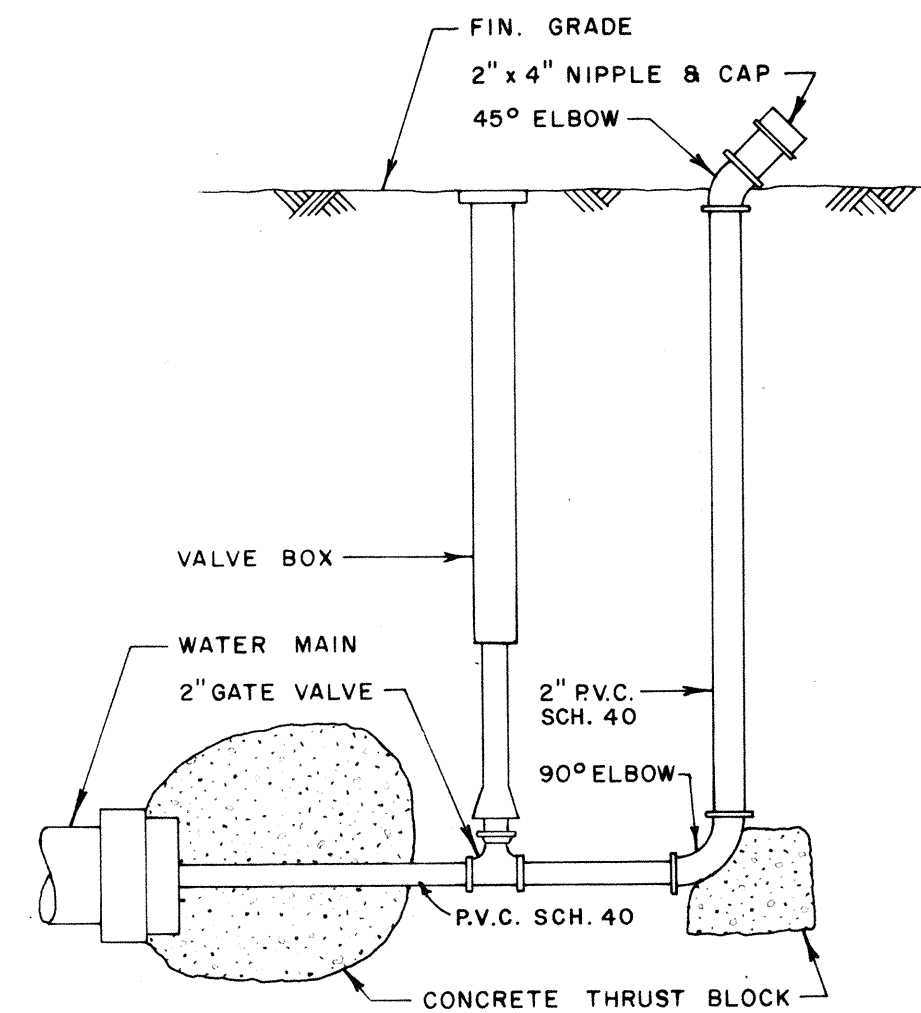
**VALVE DETAIL**

NO SCALE



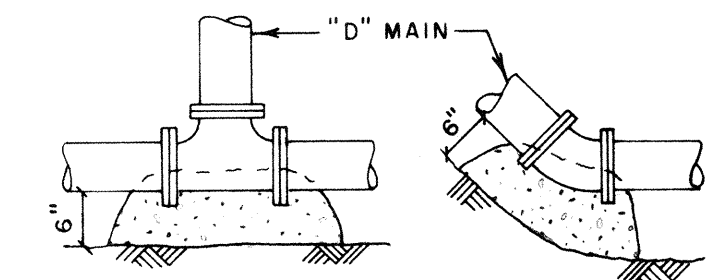
**TYPICAL FIRE HYDRANT DETAIL**

NO SCALE



**TYPICAL BLOWOFF DETAIL**

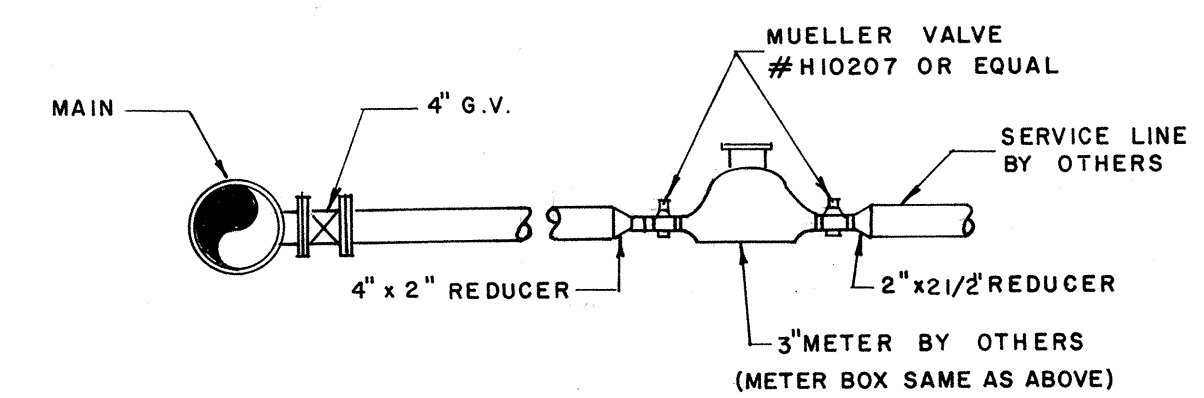
NO SCALE



AREAS DETERMINED BY CONC. CONTACT WITH UNDISTURBED MATERIAL

THRUST BLOCK AREAS IN SQ. FT.				
SIZE	TEE	90° BEND	45° BEND	22 1/2° BEND
4"	1.5	2.0	1.0	1.0
6"	4.0	5.5	3.0	1.5
8"	7.0	10.0	5.0	3.0
10"	10.0	14.0	7.0	5.0

**WATER MAIN THRUST BLOCKS**



**TYPICAL 4" SERVICE DETAIL**

NO SCALE

BENNETT & BISHOP  
CONSULTING ENGINEERS & SURVEYORS  
FLORIDA  
SARASOTA

DATE	DESCRIPTION	BY
10-11-91	REVISED 4" SERVICE DETAIL	W.B.B.
9-24-91	TYPE MATERIALS CHANGE REV. #1, 2, 3, 4, 5, 6, 7, 8, 9, 10, 11, 12, 13, 14, 15, 16, 17, 18, 19, 20, 21, 22, 23, 24, 25, 26, 27, 28, 29, 30, 31, 32, 33, 34, 35, 36, 37, 38, 39, 40, 41, 42, 43, 44, 45, 46, 47, 48, 49, 50, 51, 52, 53, 54, 55, 56, 57, 58, 59, 60, 61, 62, 63, 64, 65, 66, 67, 68, 69, 70, 71, 72, 73, 74, 75, 76, 77, 78, 79, 80, 81, 82, 83, 84, 85, 86, 87, 88, 89, 90, 91, 92, 93, 94, 95, 96, 97, 98, 99, 100	W.B.B.
7-1-81	REVISED WATER & FIRE H.D. DETAILS	W.B.B.

DATE	DESCRIPTION	BY
9-4-80	AS SHOWN	W.B.B.
	DESIGN	W.B.B.
	DRAWN	R.A.B.
	CHECK	W.B.B.
	APPROVED	W.B.B.

ARVIDA CORPORATION  
FAIRWAY BAY  
WATER SUPPLY DETAILS