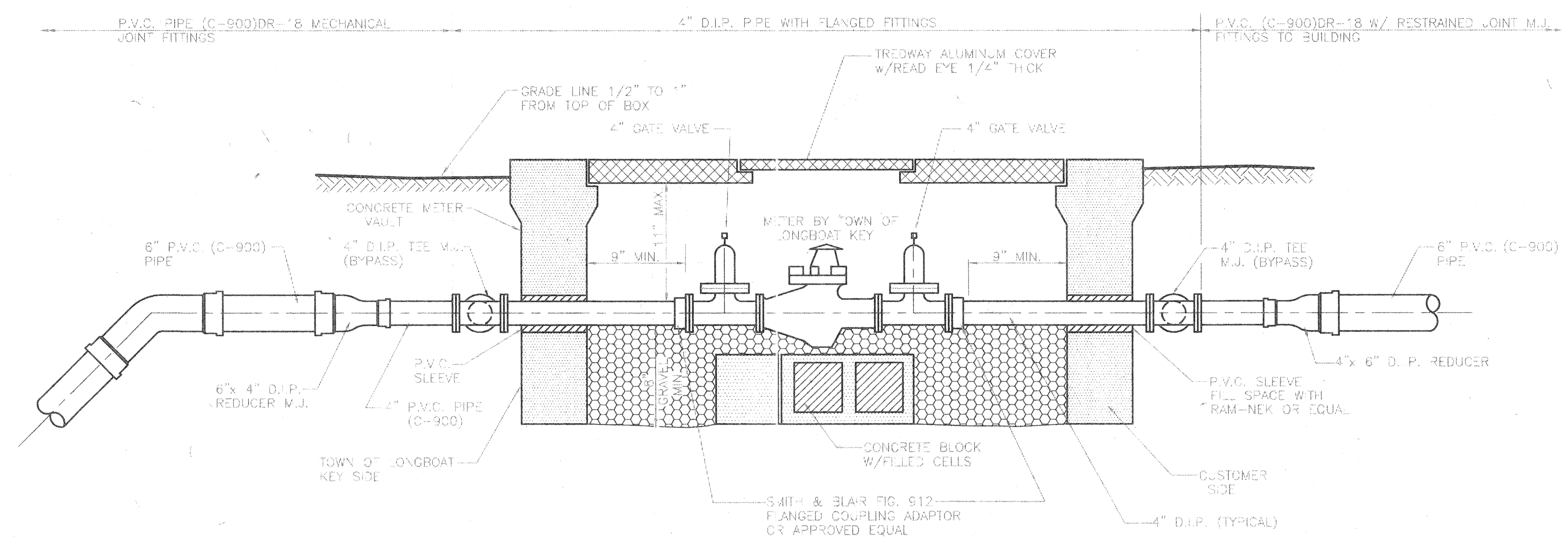
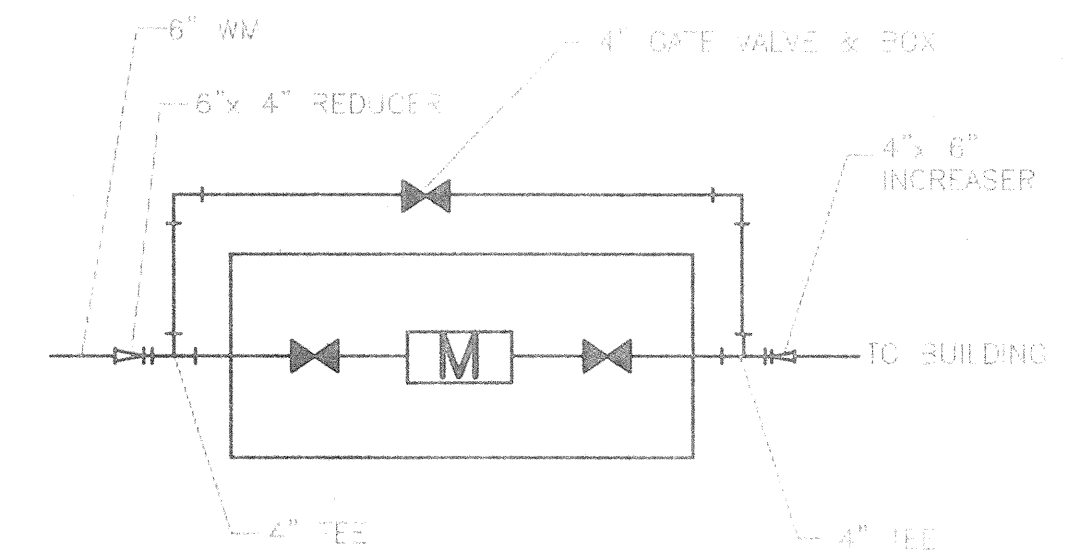


**NOTES:**

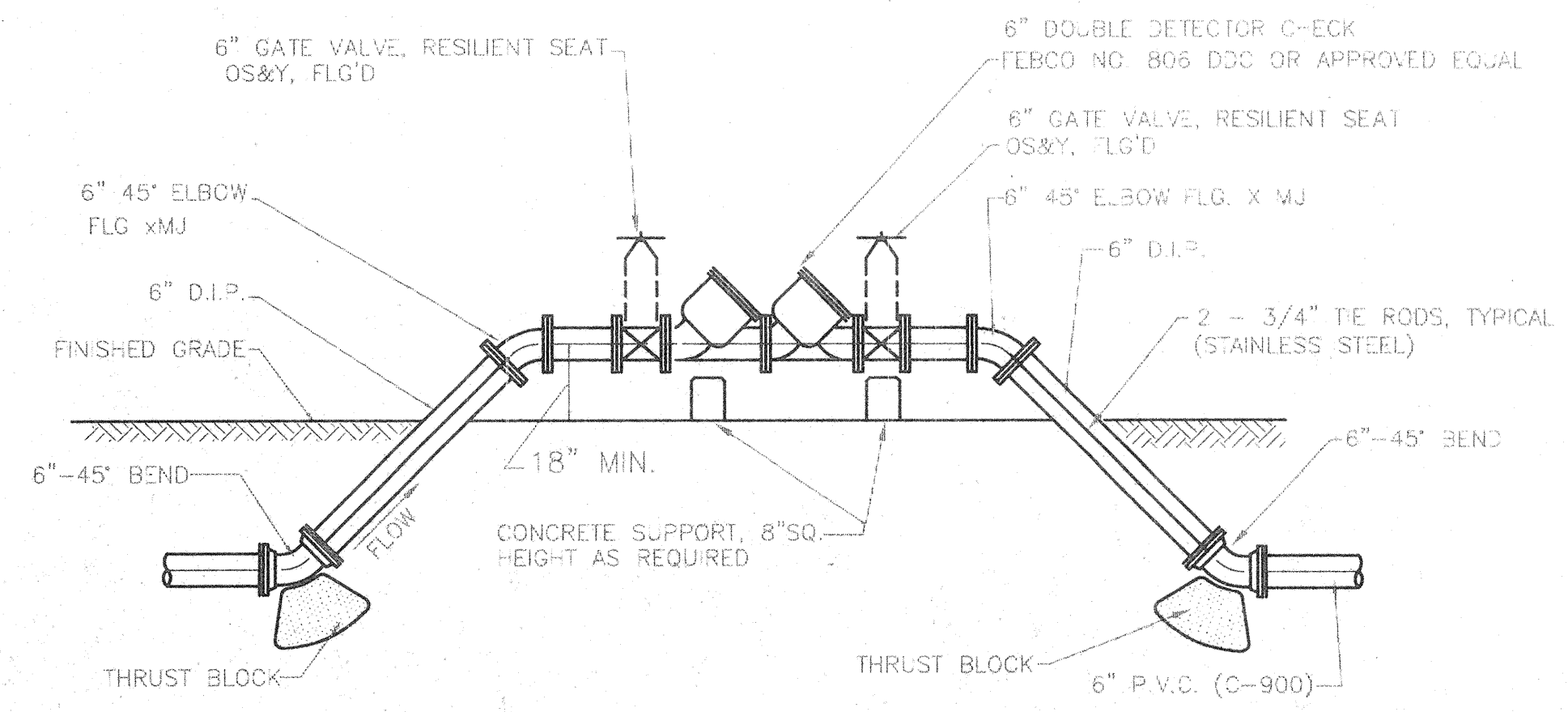
1. ALL P.V.C. WATERMAIN SHALL BE COLOR CODED BLUE W/CLASS OR-18 (AWWA C-900) W/36" COVER AND DETECTOR TAP.
2. ALL P.V.C. FIRE MAIN SHALL BE COLOR CODED BLUE W/CLASS OR-14 (AWWA C-900) W/36" COVER AND DETECTOR TAP.
3. CONTRACTOR TO CONTACT TOWN OF LONGBOAT KEY UTILITIES DIRECTOR FOR CHANGE OF MATERIALS.
4. CONTRACTOR SHALL USE 2" P.V.C. SCH-40 FOR WATER SERVICE METER, AND RESPECTIVE FITTINGS TO CLUBHOUSE IN ACCORDANCE W/ CONTRACT DOCUMENTS AND TOWN OF LONGBOAT KEY REGULATIONS.



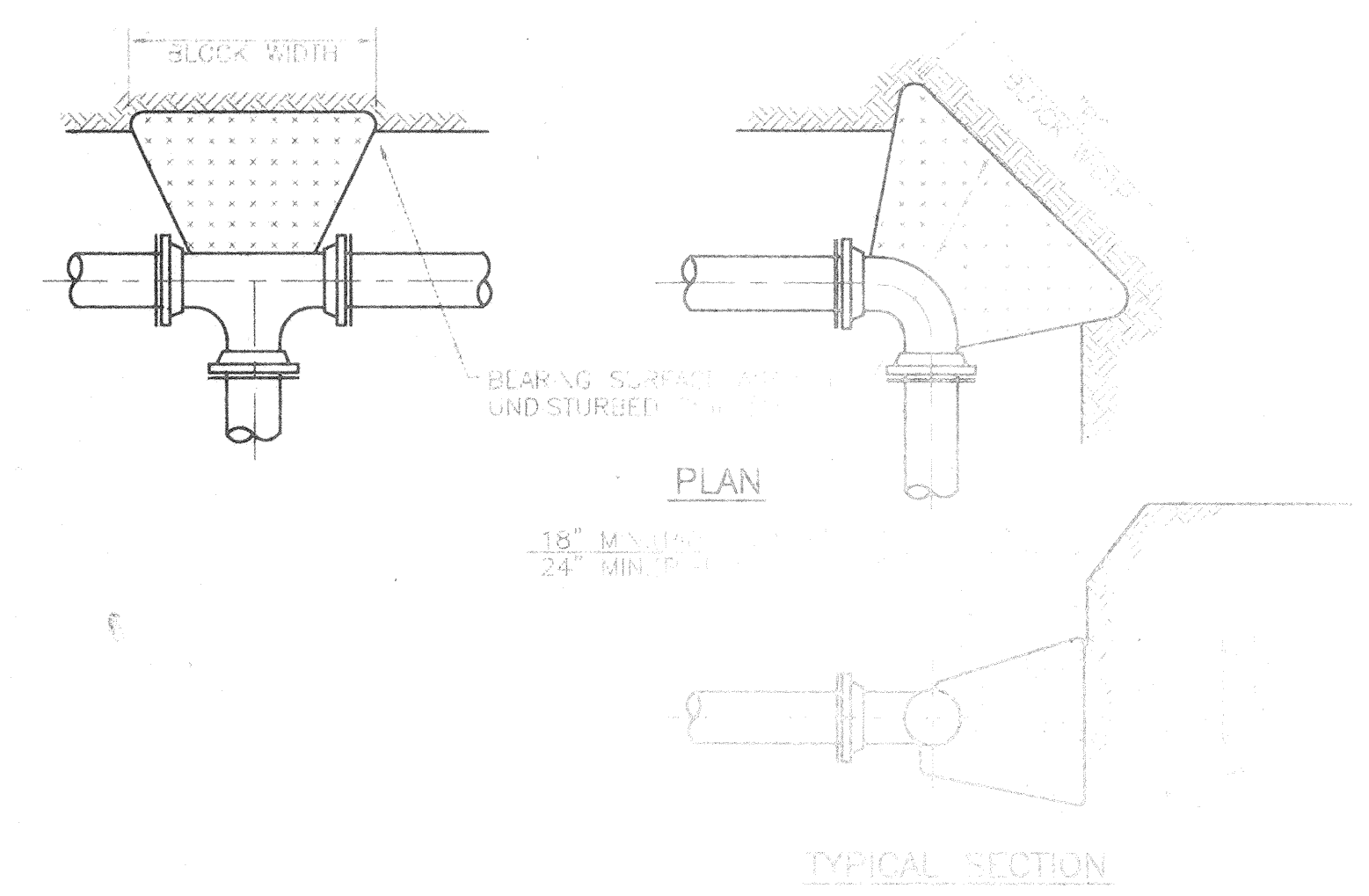
**WATER METER INSTALLATION**  
N.T.S.



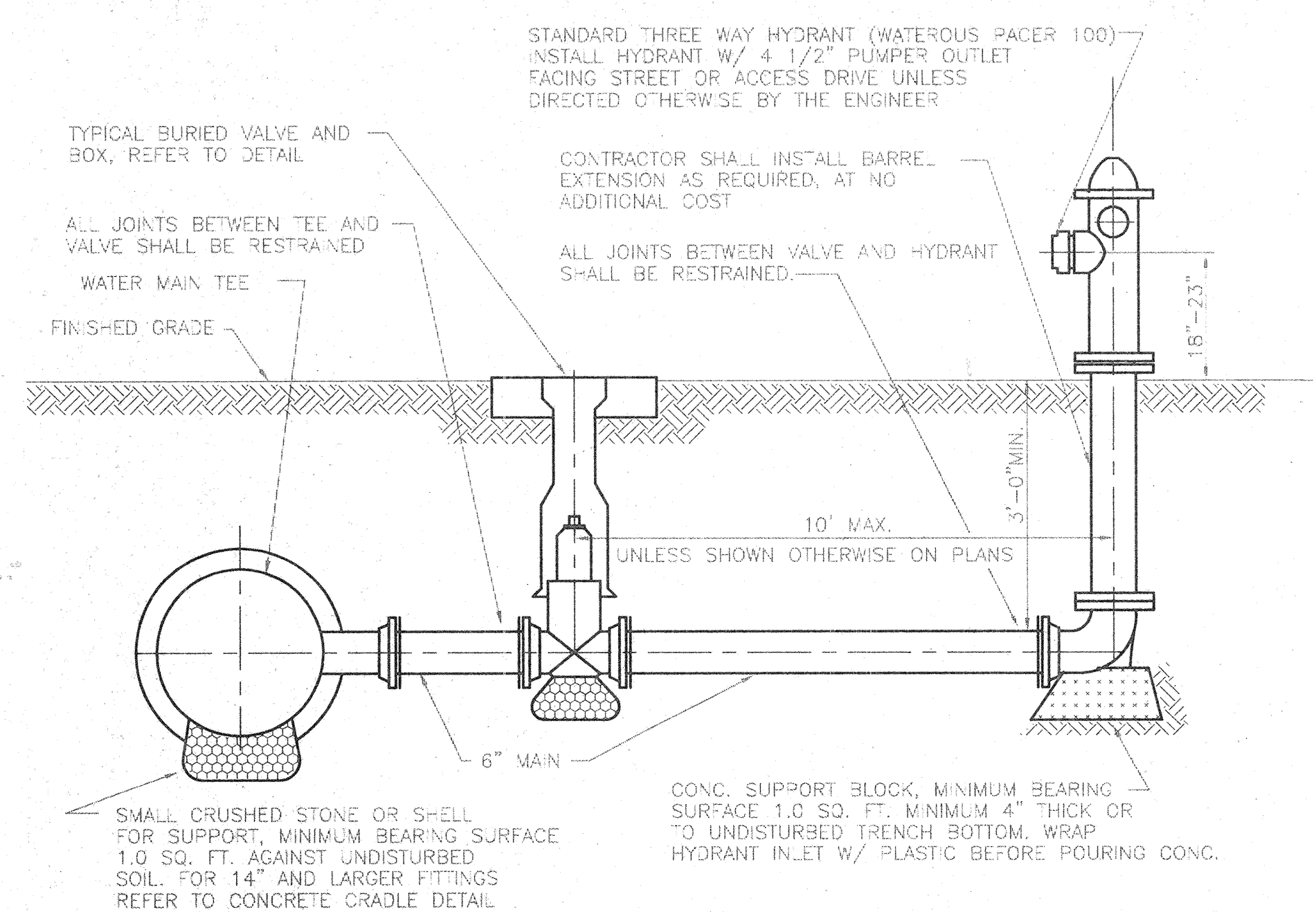
**METER BOX SCHEMATIC**



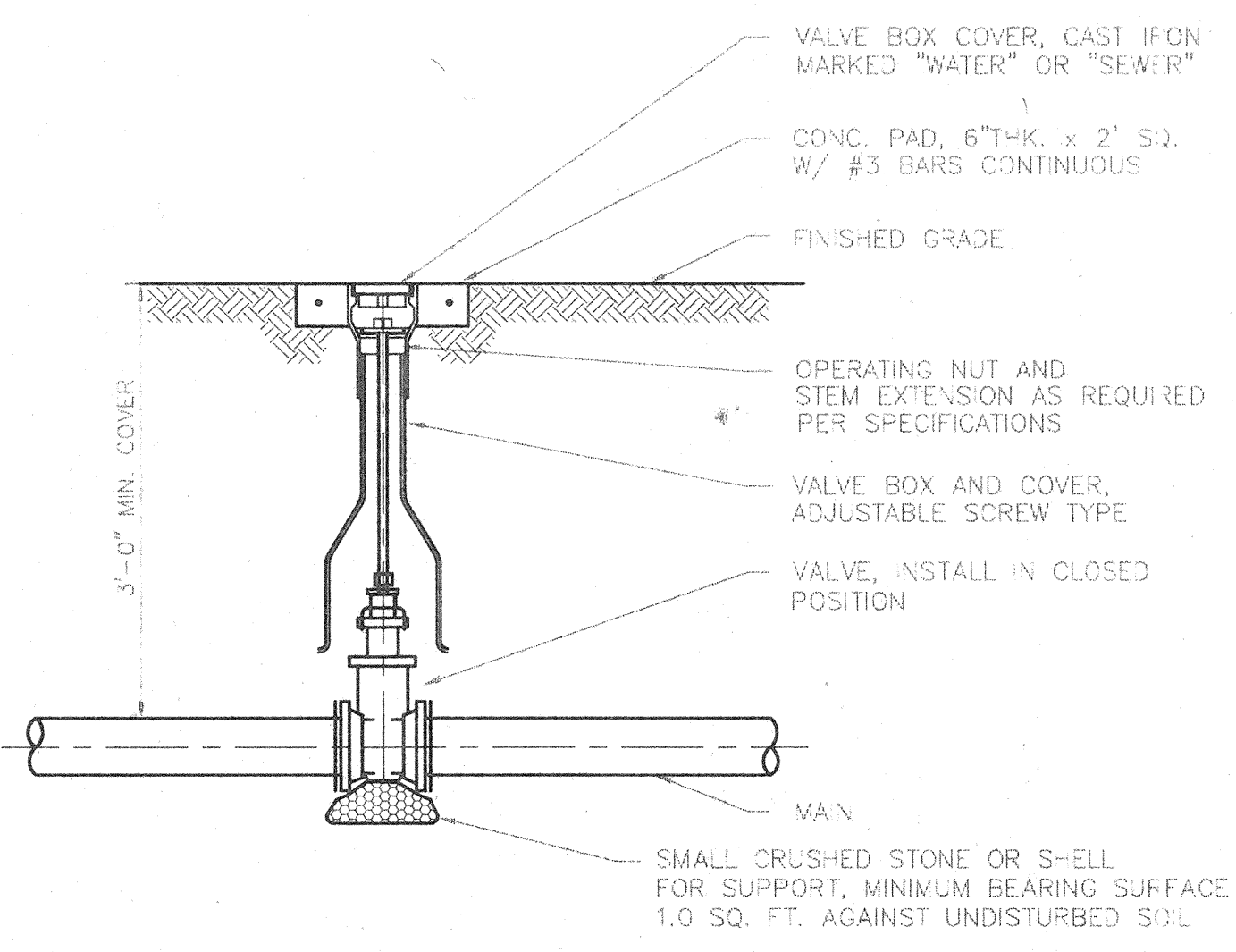
**BACKFLOW PREVENTER DETAIL**  
N.T.S.



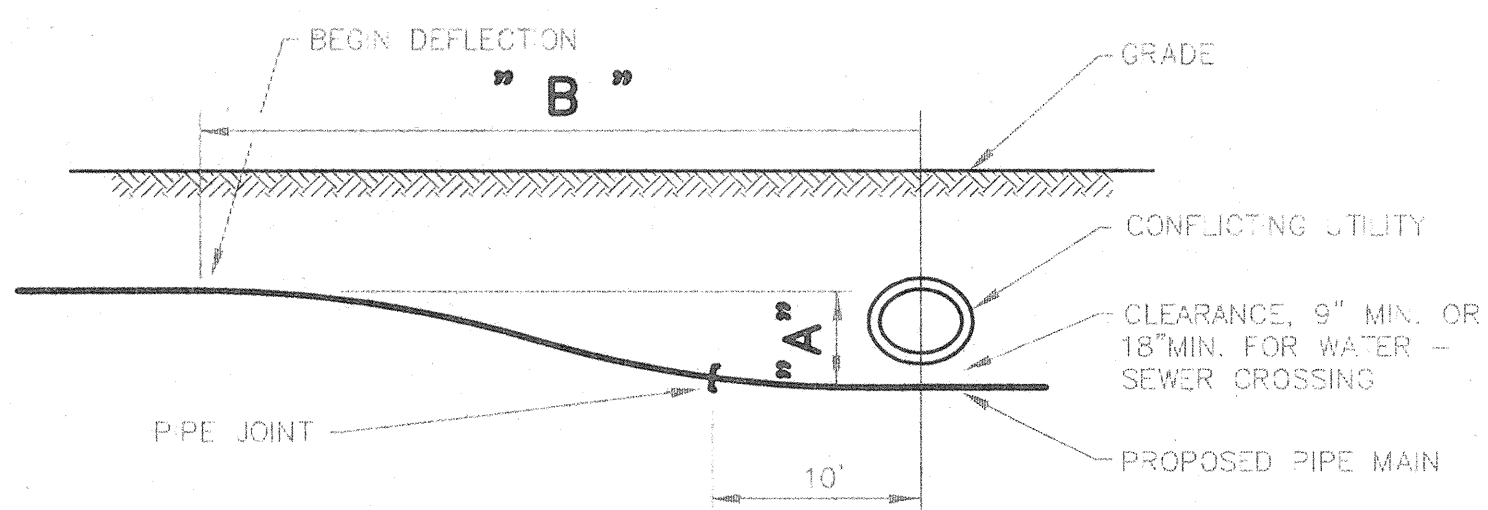
**TYPICAL SECTION**



**TYPICAL FIRE HYDRANT ASSEMBLY DETAIL**  
N.T.S.



**BURIED VALVE DETAIL**  
N.T.S.



**MINIMUM DISTANCE TO START DEFLECTION "B"**

TOTAL DEFLECTION "A" (FT.)	BENDING RADIUS OF PIPE (FT.)													
	70	80	100	120	150	200	250	300	350	400	500	550		
0.5	20	20	20	20	20	22	25	28	32	37	40	46	49	
1.0	20	20	20	22	22	28	32	35	37	40	46	49	56	
1.5	20	22	24	27	30	35	39	42	46	49	56	60	70	
2.0	24	25	28	31	35	40	45	49	53	57	65	70	85	
3.0	30	31	35	38	42	49	55	60	65	69	80	85	105	

ALLOWABLE BENDING RADIUS DETERMINED FOR ASTM D2241, SDR 18 AND C-900

ALLOWABLE BENDING RADIUS (FT.)	PIPE DIAMETER							
	1 1/2"	2"	2 1/2"	3"	4"	6"	8"	10"
SDR 21	70	80	100	120	150	220	290	360
C-900	---	---	---	---	200	300	400	475

**UTILITY CROSSING DETAIL**  
N.T.S.

**NOTES**

1. THRUST BLOCK BEARING SURFACE SHALL BE ON SOIL BEARING 5 LESS THAN 1000 PSF. PLACE ADDITIONAL THRUST BLOCKS IF NECESSARY. NO ADDITIONAL COST.
2. THRUST BLOCKS SHALL BE INSTALLED ON EITHER SIDE OF THE VALVE OR HYDRANT.
3. CONCRETE SHALL BE 2800 PSI STRENGTH. AS SHOWN OR SUPPLEMENTED BY THE THRUST BLOCK DETAIL.
4. BEFORE POURING CONCRETE, CHECK FOR PRESSURE TREATED BARK.
5. "B" SHALL NOT EXCEED THE BENDING RADIUS.

**THRUST BLOCK DETAIL**

FIELD BOOK NO. \_\_\_\_\_  
PAGE \_\_\_\_\_  
SHEET \_\_\_\_\_ OF \_\_\_\_\_

PROJECT: ANS50C11.DWG  
DATE: 1/14/99  
DRAWN BY: \_\_\_\_\_  
CHECKED BY: \_\_\_\_\_

**BISHOP & ASSOCIATES**  
Consulting Engineers • Surveyors  
AN EMPLOYEE OWNED COMPANY  
78 SARASOTA CENTER BLVD., SARASOTA, FLORIDA 34240  
813/371-6362 • Fax 813/378-3215

REVISED	BY	DATE	Q.C.	DATE	DESCRIPTION
	SWS	1/6/94	TJD	1/6/94	REV. PROJECT NO., NAME, AND OWNER
	D.N.S.	4-15-97			REV. TITLE BLOCK
	PJ	6-14-99			RECORD DRAWING

TASK	INITIALS	DATE
DESIGN	P.C.P.	4-19-93
DRAWN	P.S.N.	4-28-93
CHECKED	W.F.B.	
QUALITY CHK		
HORIZ SCALE		
VERT. SCALE		

SEAL: ENGINEER OR SURVEYOR OF RECORD DATE: \_\_\_\_\_

CLIENT/TITLE: **THE WATER CLUB II AT LONGBOAT KEY**  
**THE WATER CLUB II DEVELOPMENT, INC.**  
WATER SYSTEM IMPROVEMENT

REVISIONS: \_\_\_\_\_

C:\p\p\ANS50 Ans50c11.dwg Mon Jun 14 11:28:36 1999 PJ P10000X