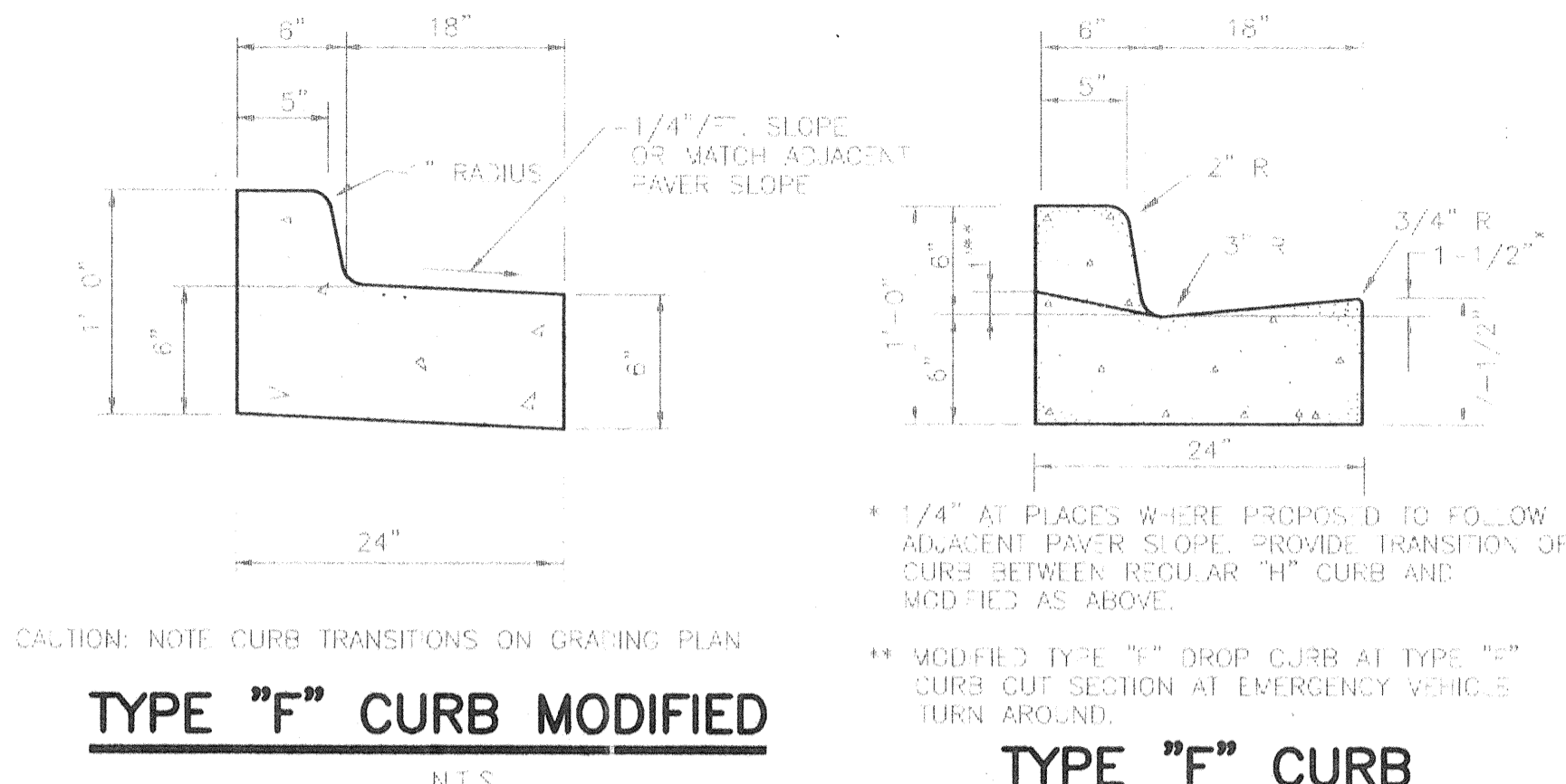
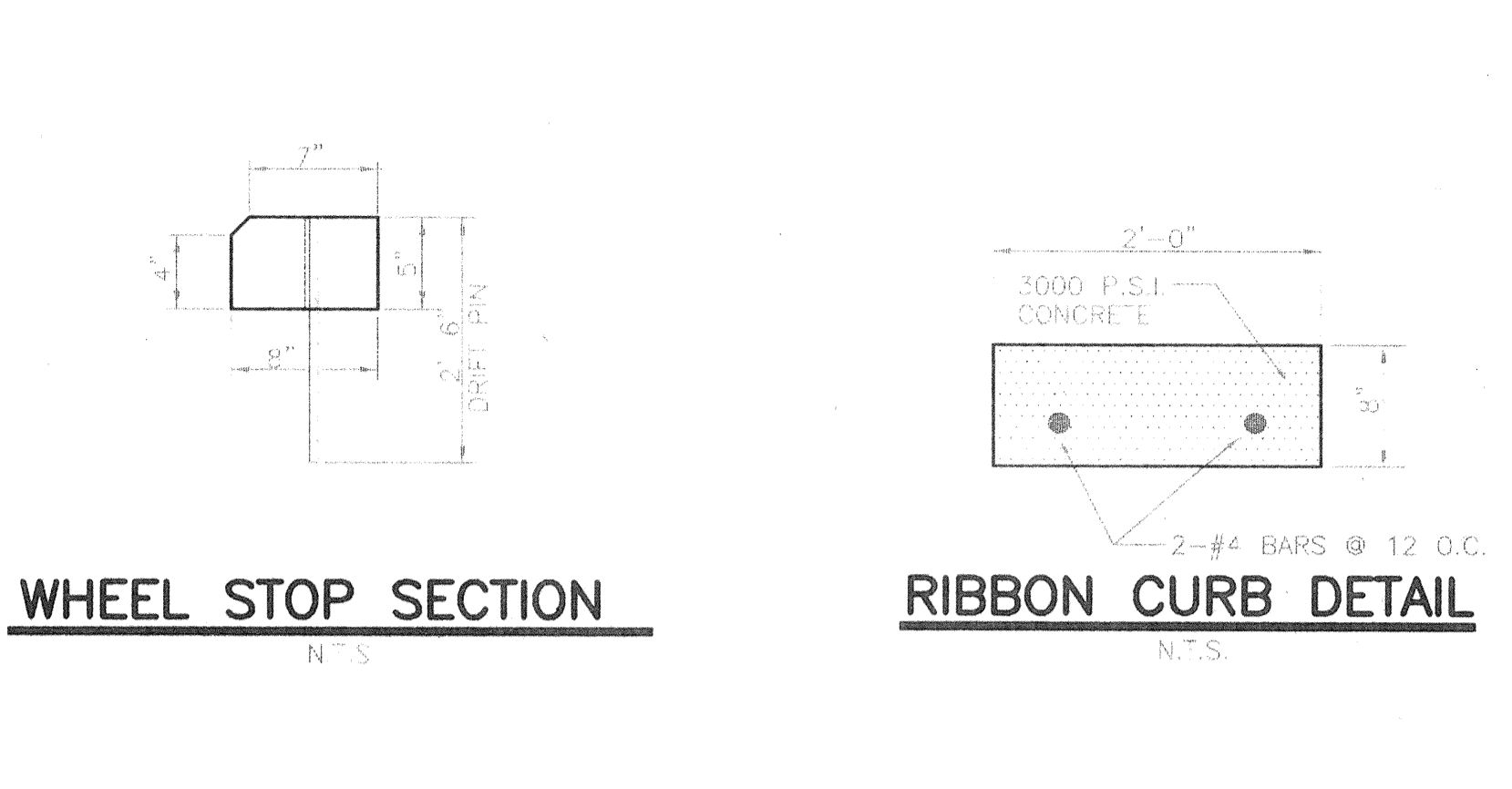


**TYPICAL ENTRANCE ROADWAY SECTION A**  
N.T.S. 4/9



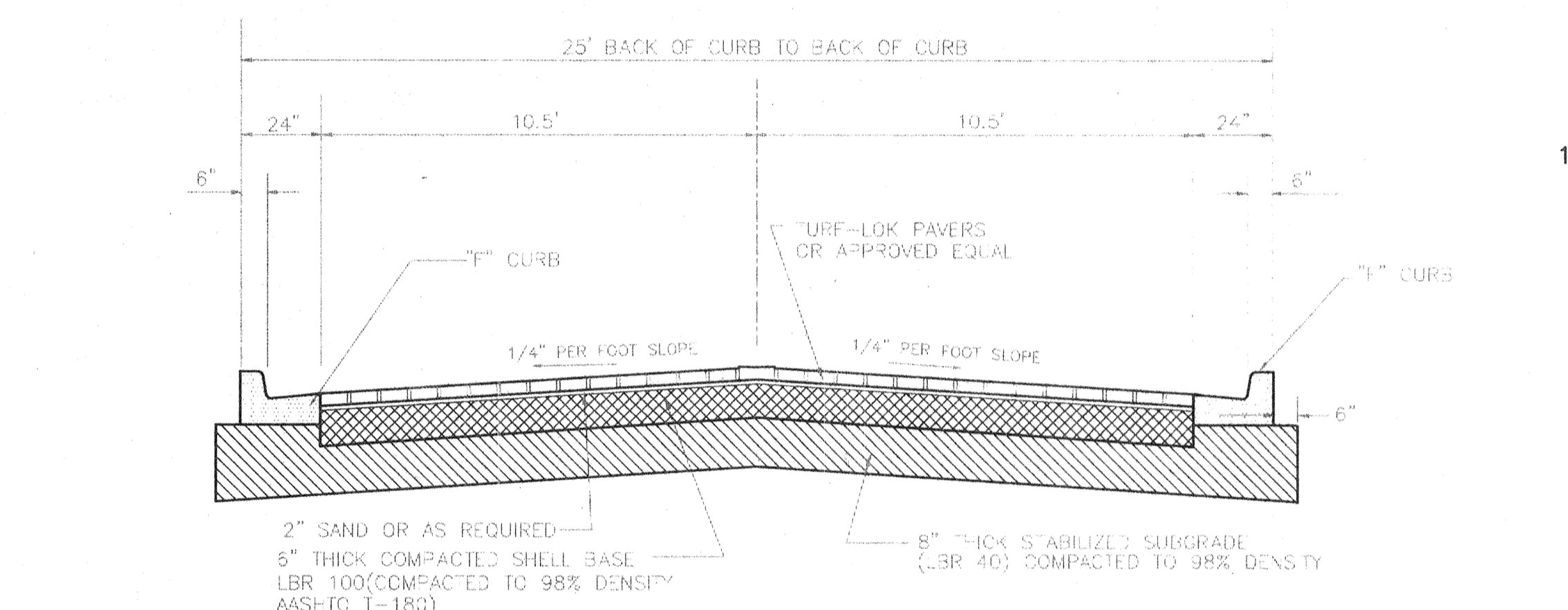
**TYPE "F" CURB MODIFIED**  
N.T.S.

**TYPE "F" CURB**  
N.T.S.

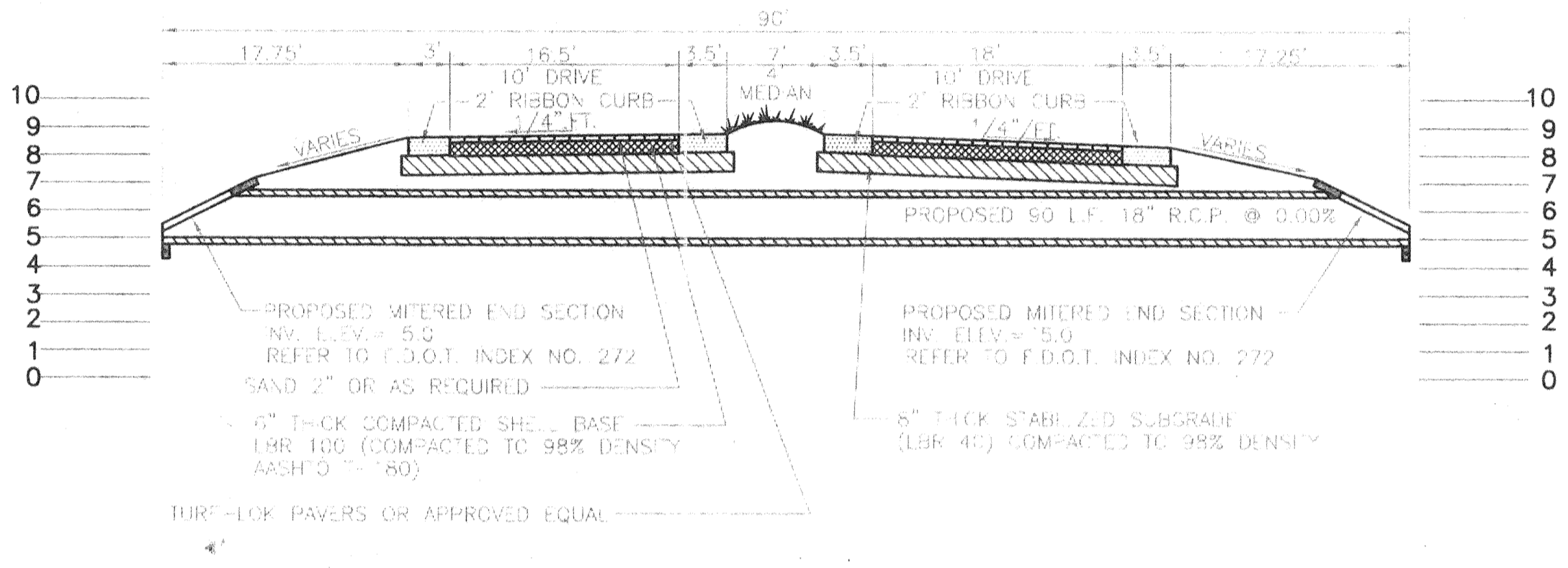


**WHEEL STOP SECTION**  
N.T.S.

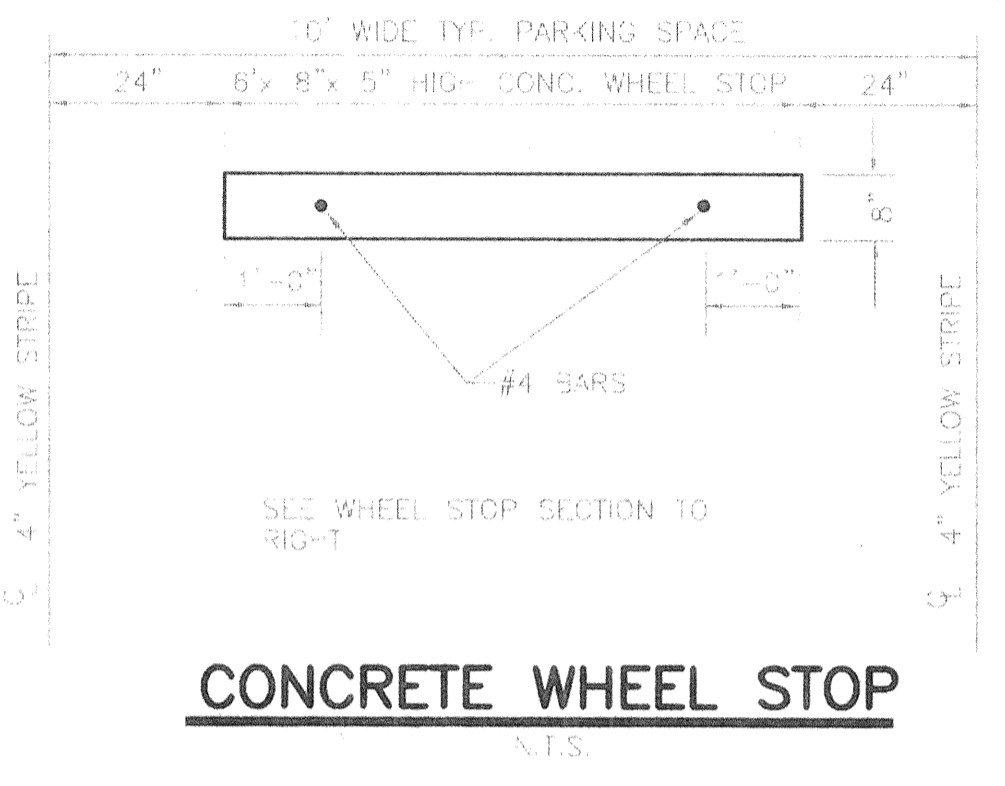
**RIBBON CURB DETAIL**  
N.T.S.



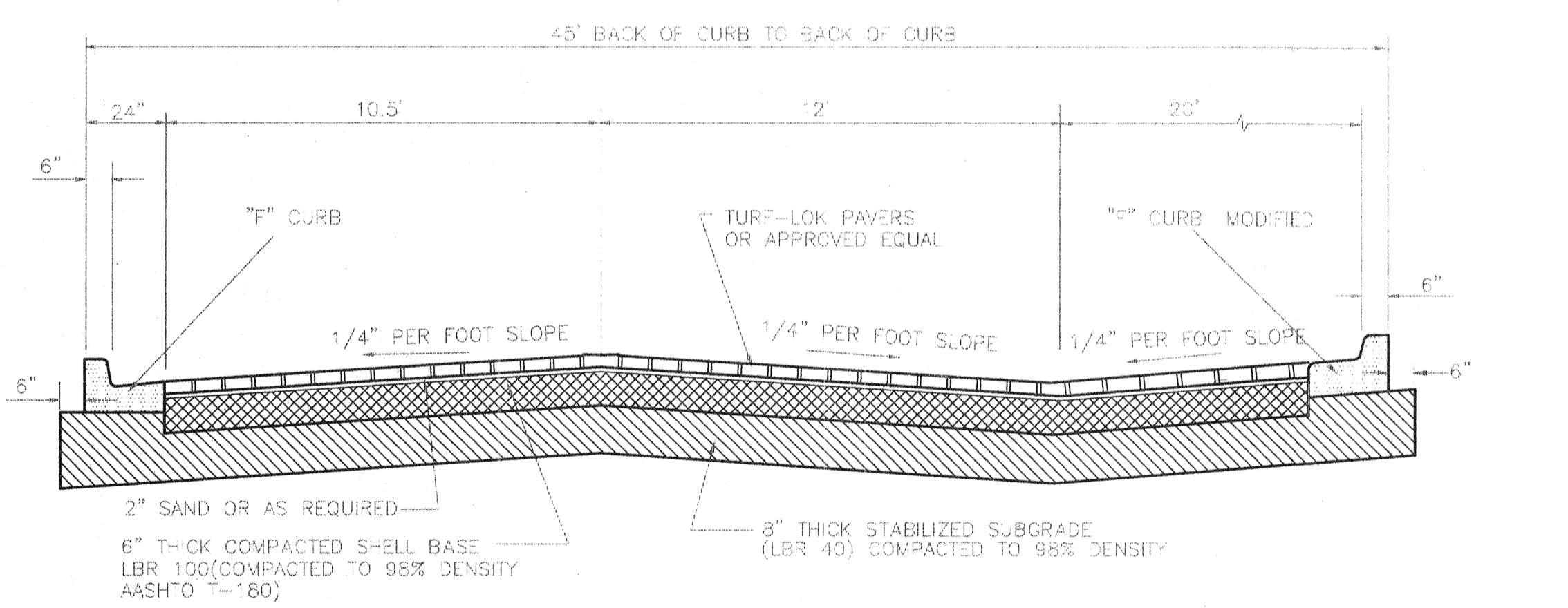
**TYPICAL ROADWAY SECTION B**  
N.T.S. 4/9



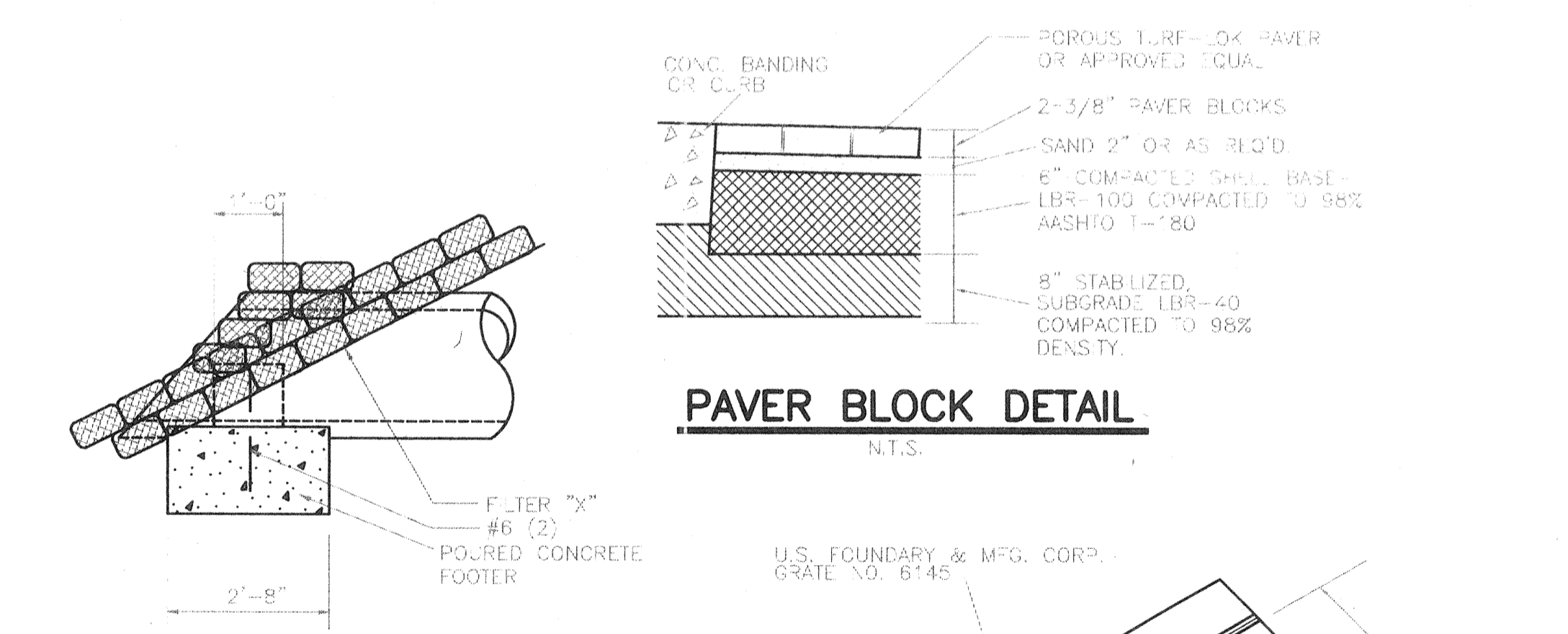
**TYPICAL ROADWAY SECTION AT PIPE CROSSING F**  
N.T.S. 5/9



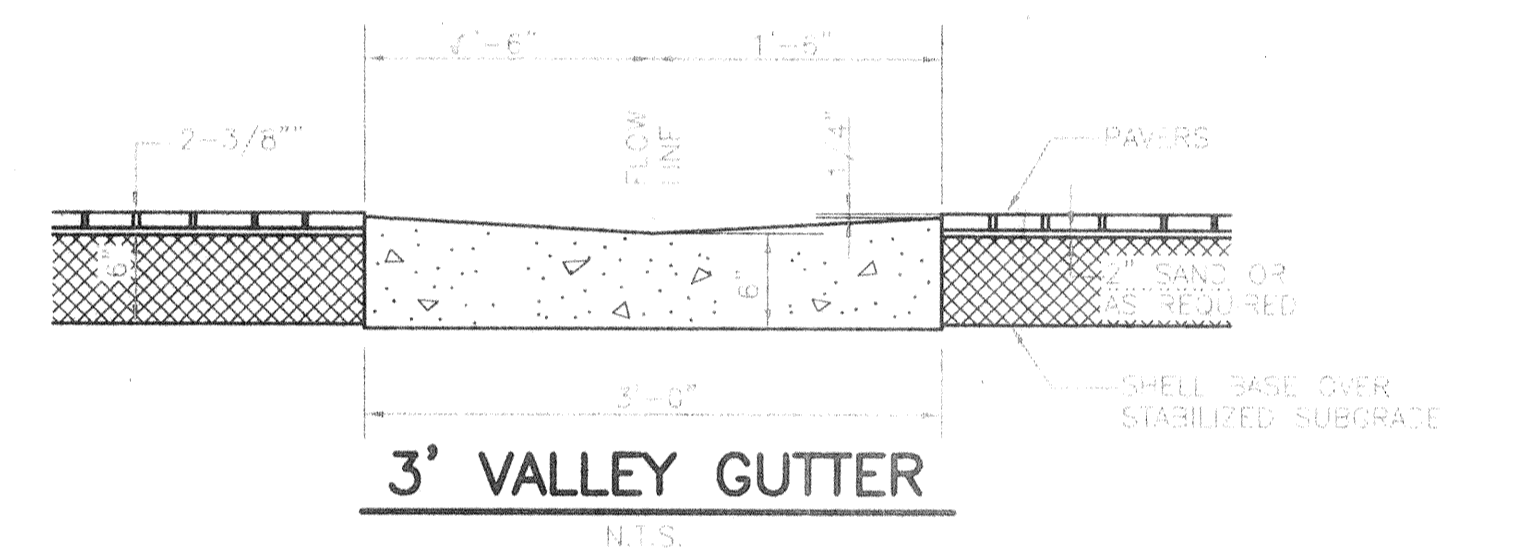
**CONCRETE WHEEL STOP**  
N.T.S.



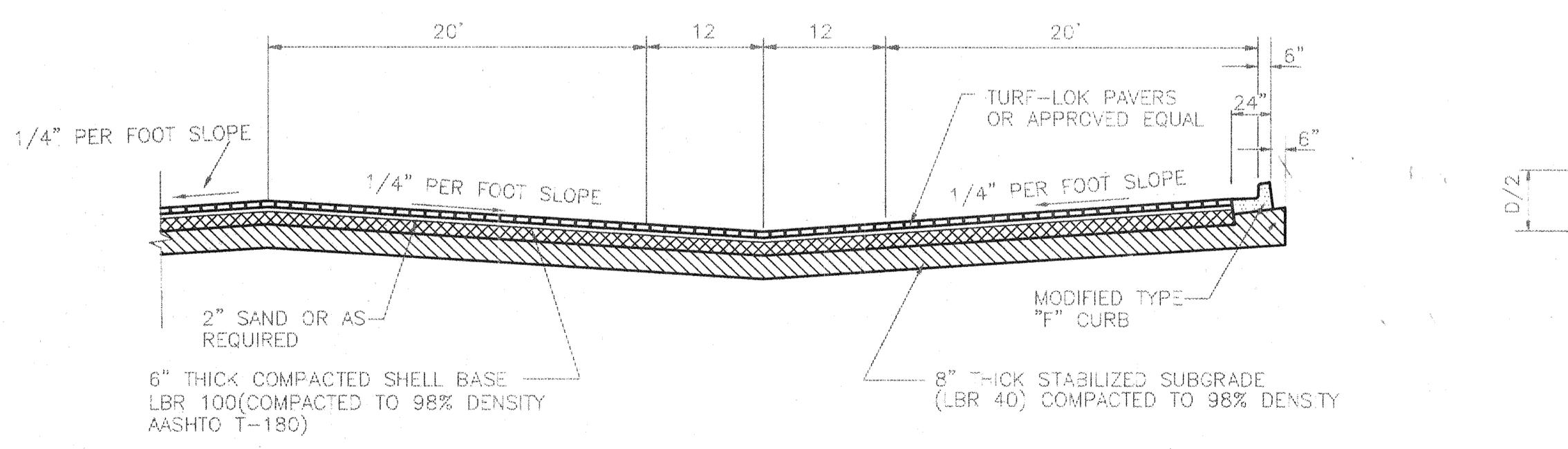
**TYPICAL ROADWAY SECTION C**  
N.T.S. 4/9



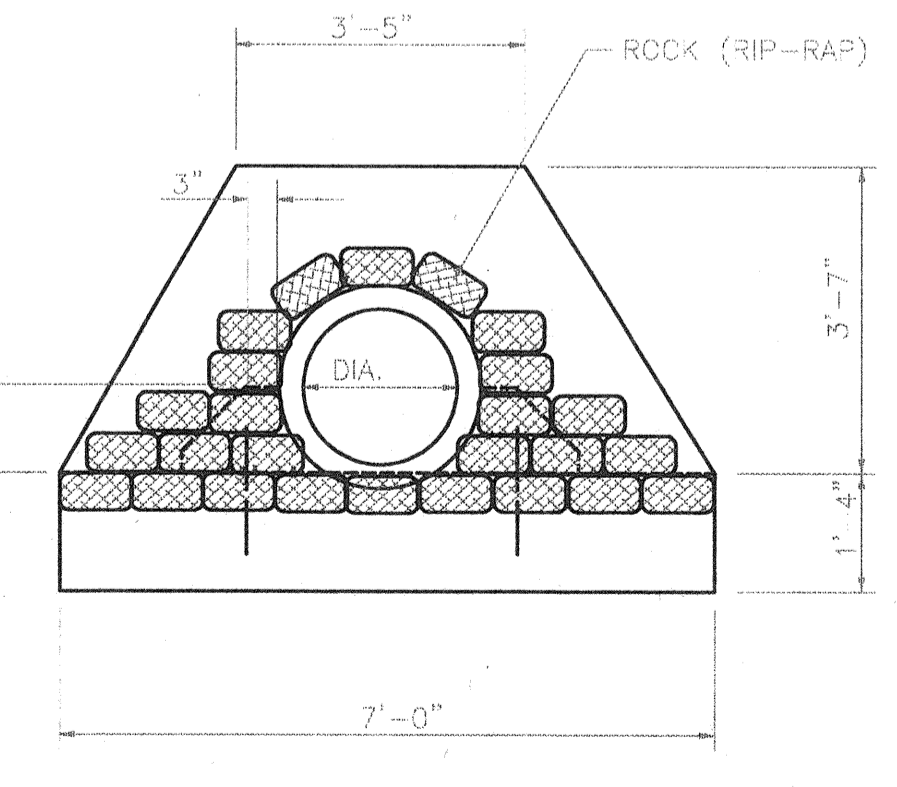
**PAVER BLOCK DETAIL**  
N.T.S.



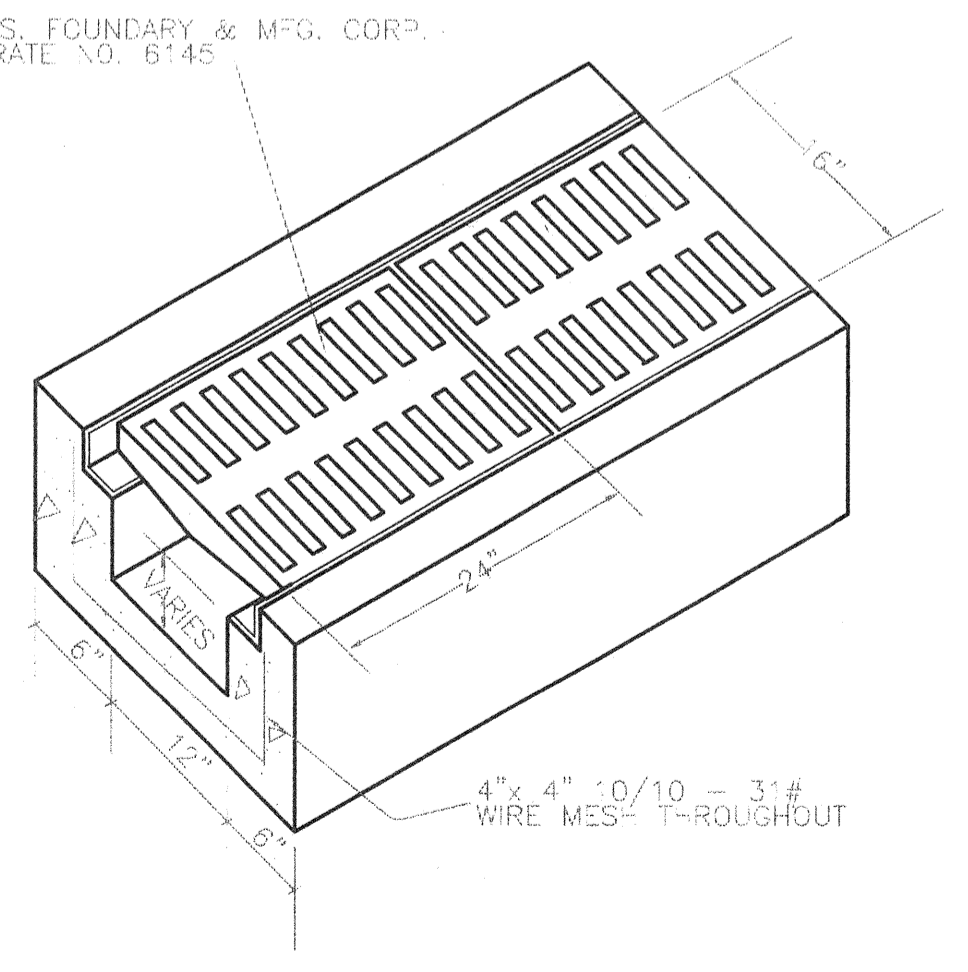
**3' VALLEY GUTTER**  
N.T.S.



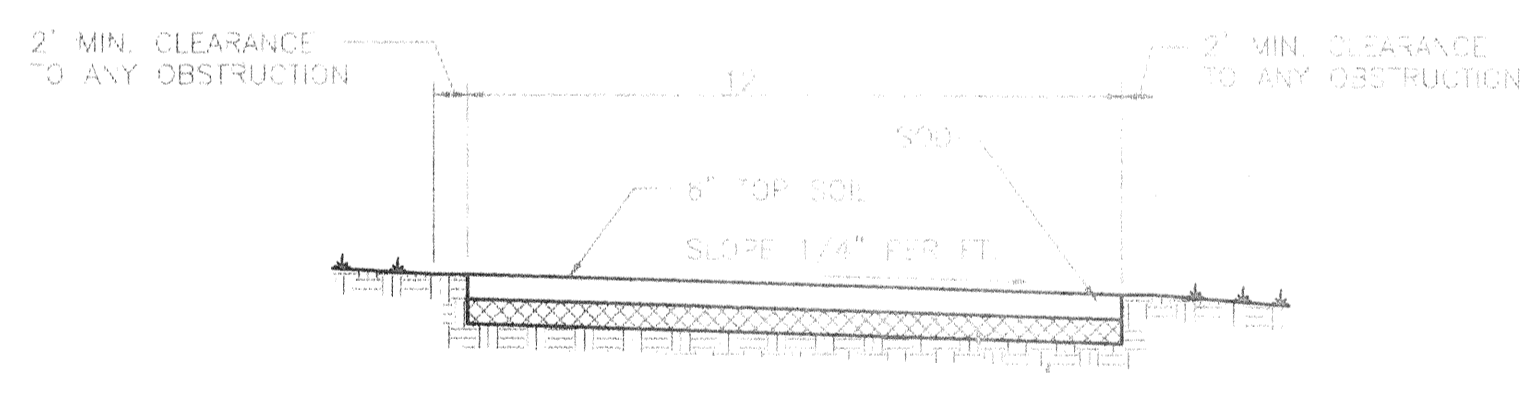
**TYPICAL ROADWAY SECTION D**  
N.T.S. 4/9



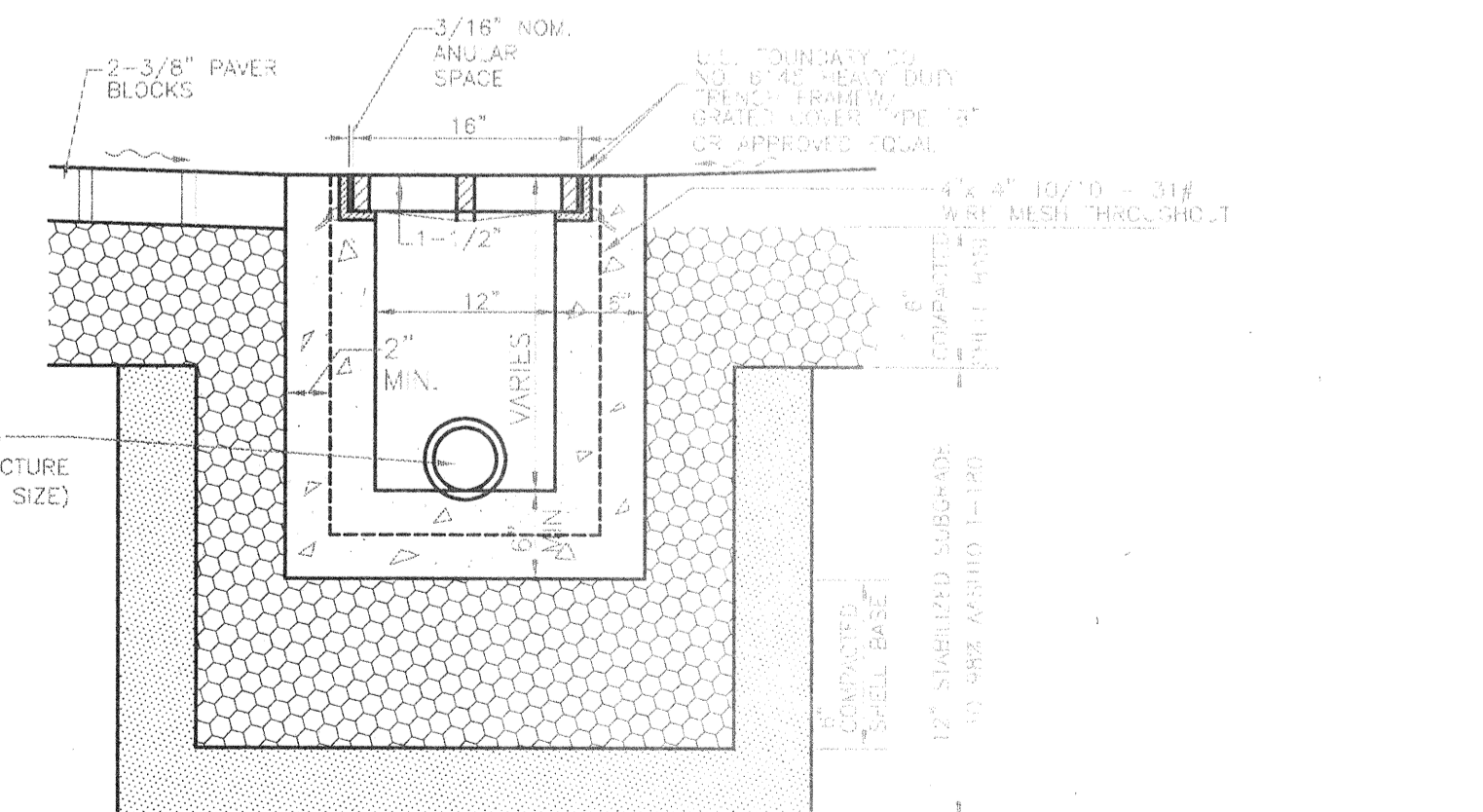
**TYPICAL ENDWALL DETAIL**  
N.T.S.



**ISOMETRIC VIEW TRENCH DRAIN**  
N.T.S.



**TYPICAL SECTION OF 12' EMERGENCY VEHICLE ACCESS DRIVE**  
N.T.S.



**TRENCH DRAIN SECTION**  
N.T.S.

FIELD BOOK NO. \_\_\_\_\_  
PAGE \_\_\_\_\_  
SEC. - Typ - Ring \_\_\_\_\_

PLOT DATE: ANSS0009  
CAD FILE: \_\_\_\_\_  
P. OR. #: \_\_\_\_\_

**BISHOP & ASSOCIATES**  
Consulting Engineers • Surveyors  
AN EMPLOYEE OWNED COMPANY  
78 SARASOTA CENTER BLVD., SARASOTA, FLORIDA 34240  
813/371-6362 • Fax 813/378-3215

BY	DATE	Q.C.	DATE	DESCRIPTION
PSN	10/8/93	PCP	10/8/93	REV. SEC. A-4-9 MEDIAN CURB FROM RIBBON TO F-MOD.
SWS	1/2/94	TJD	1/5/94	REV. PROJECT NO., NAME, & OWNER; DEL. SEC. E-6-9
D.N.S.	4-15-97			REV. TITLE BLOCK
FJ	6-14-99			RECORD DRAWING

BY	DATE	Q.C.	DATE	DESCRIPTION

TASK	INITIALS	DATE
DESIGN	P.C.P.	4-19-93
DRAWN	P.S.N.	4-26-93
CHECKED	W.F.B.	
QUALITY CHK.		
HORIZ. SCALE	SHOWN	
VERT. SCALE		

SEAL: ENGINEER OR SURVEYOR OF RECORD DATE: \_\_\_\_\_

**RECORD DRAWING**  
CLIENT/TITLE: **THE WATER CLUB II AT LONGBOAT KEY**  
**THE WATER CLUB II DEVELOPMENT, INC.**  
PAVING, GRADING, AND DRAINAGE DETAILS

PROJECT NO. ANS-50  
SHEET NO. RD-9