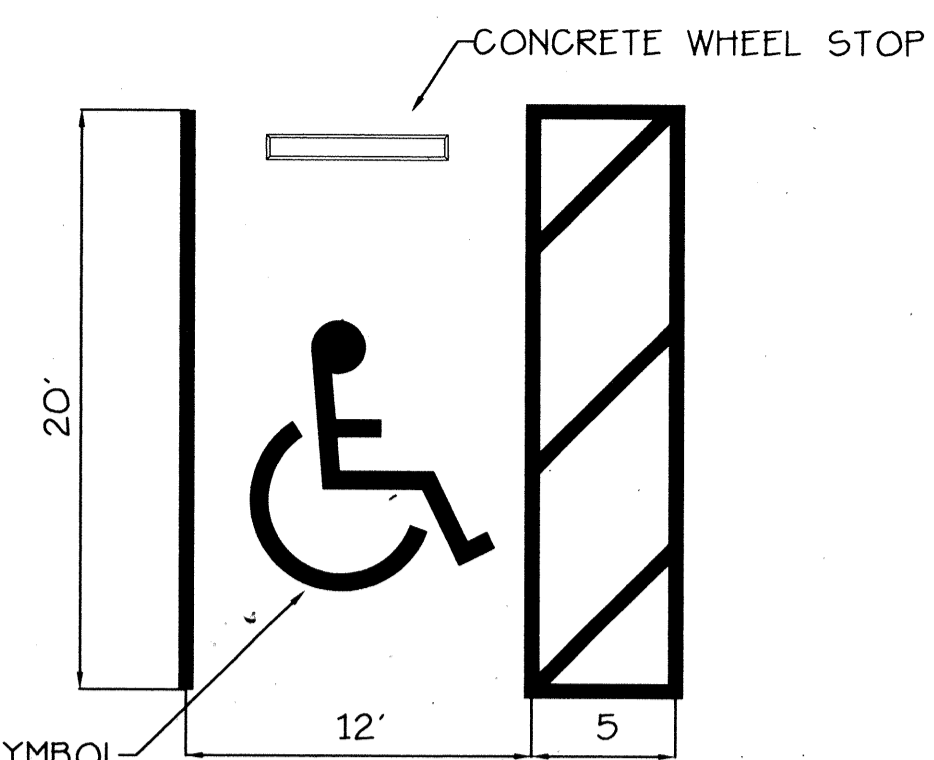
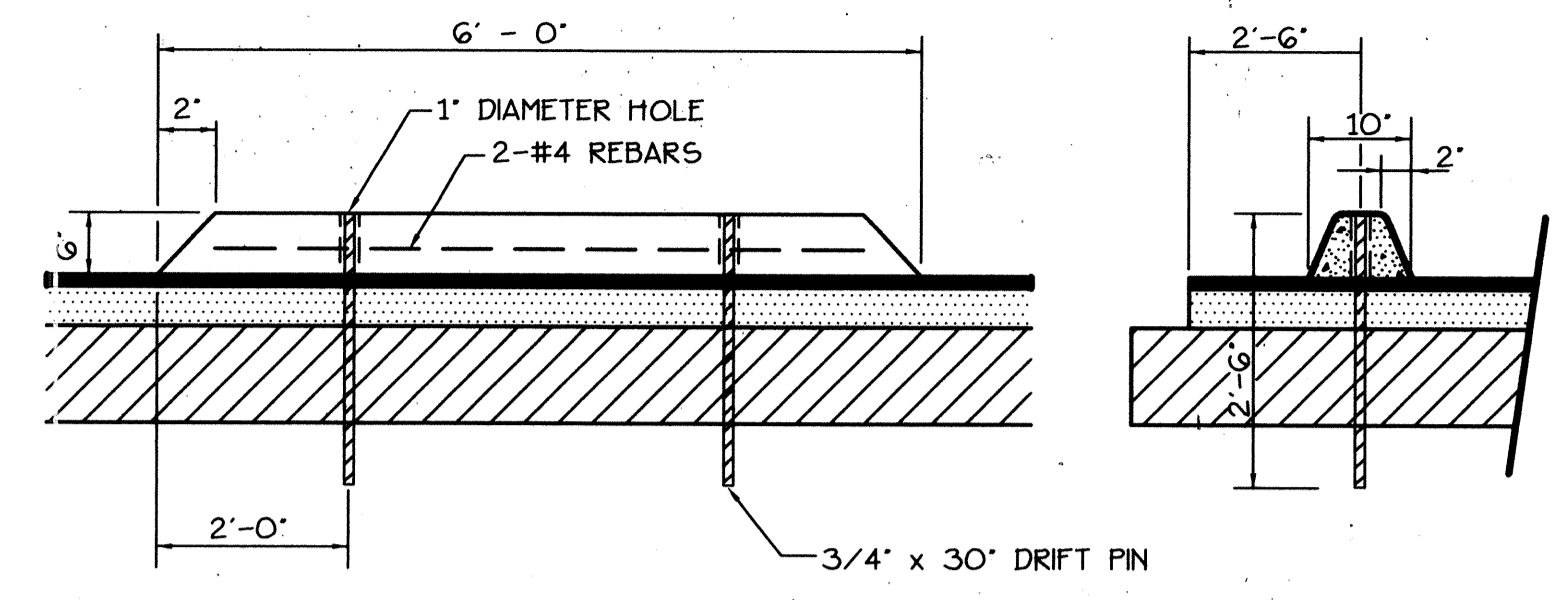


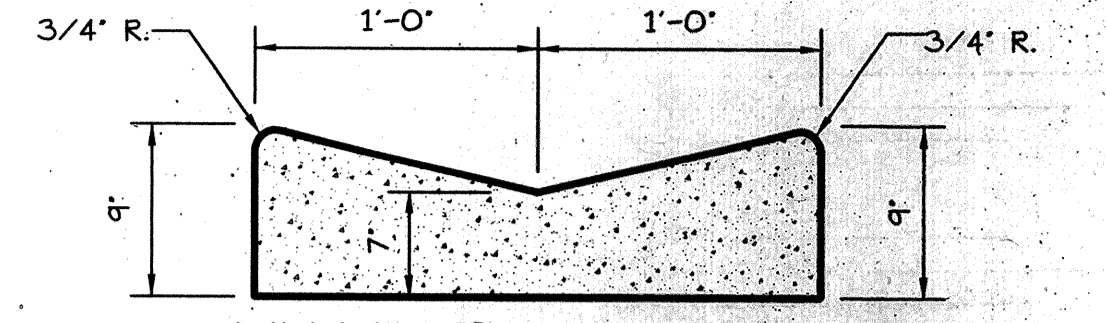
TYPICAL PARKING SPACE DETAIL
NTS



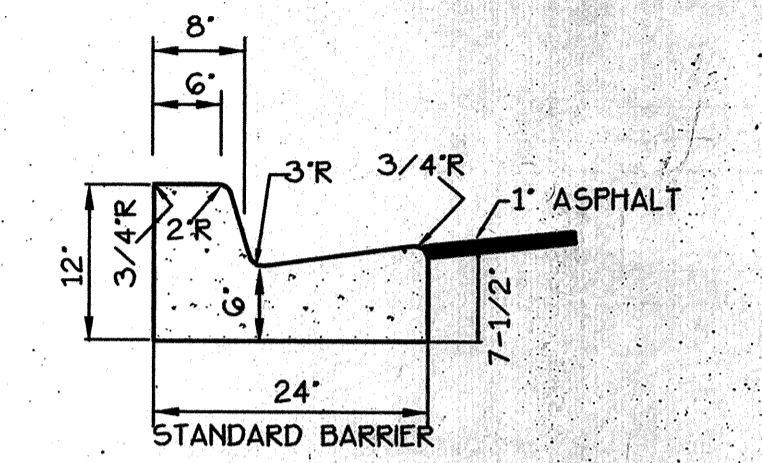
HANDICAP SPACE DETAIL
NTS



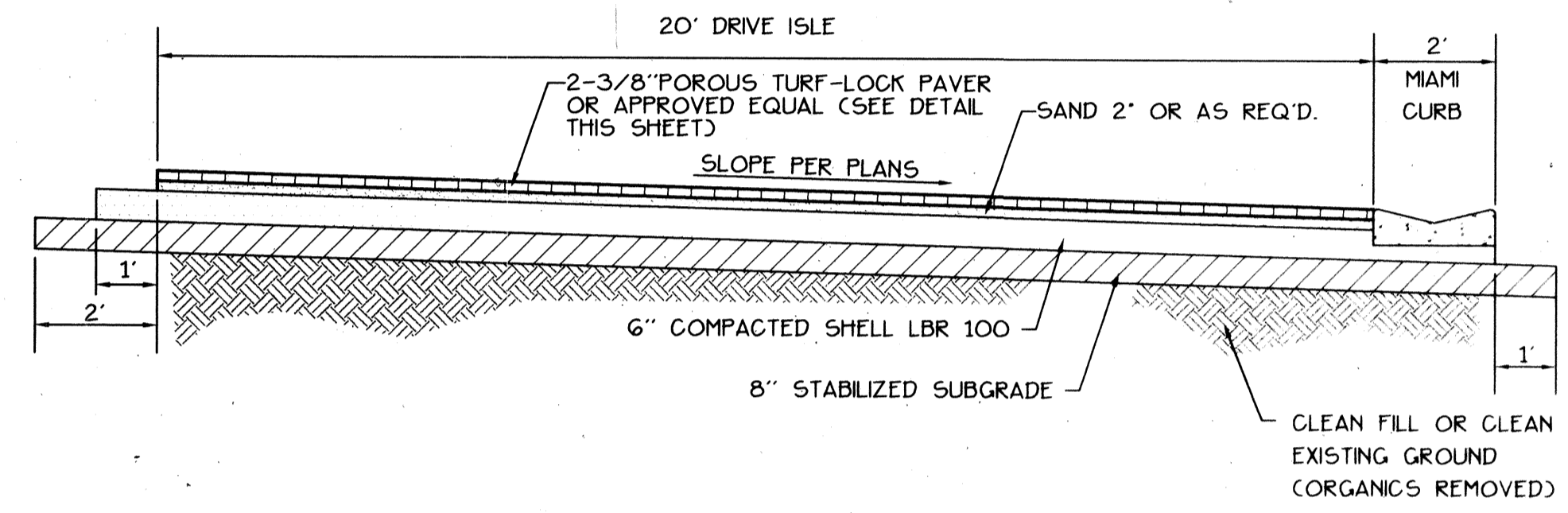
PRECAST CONCRETE WHEEL STOP
NTS



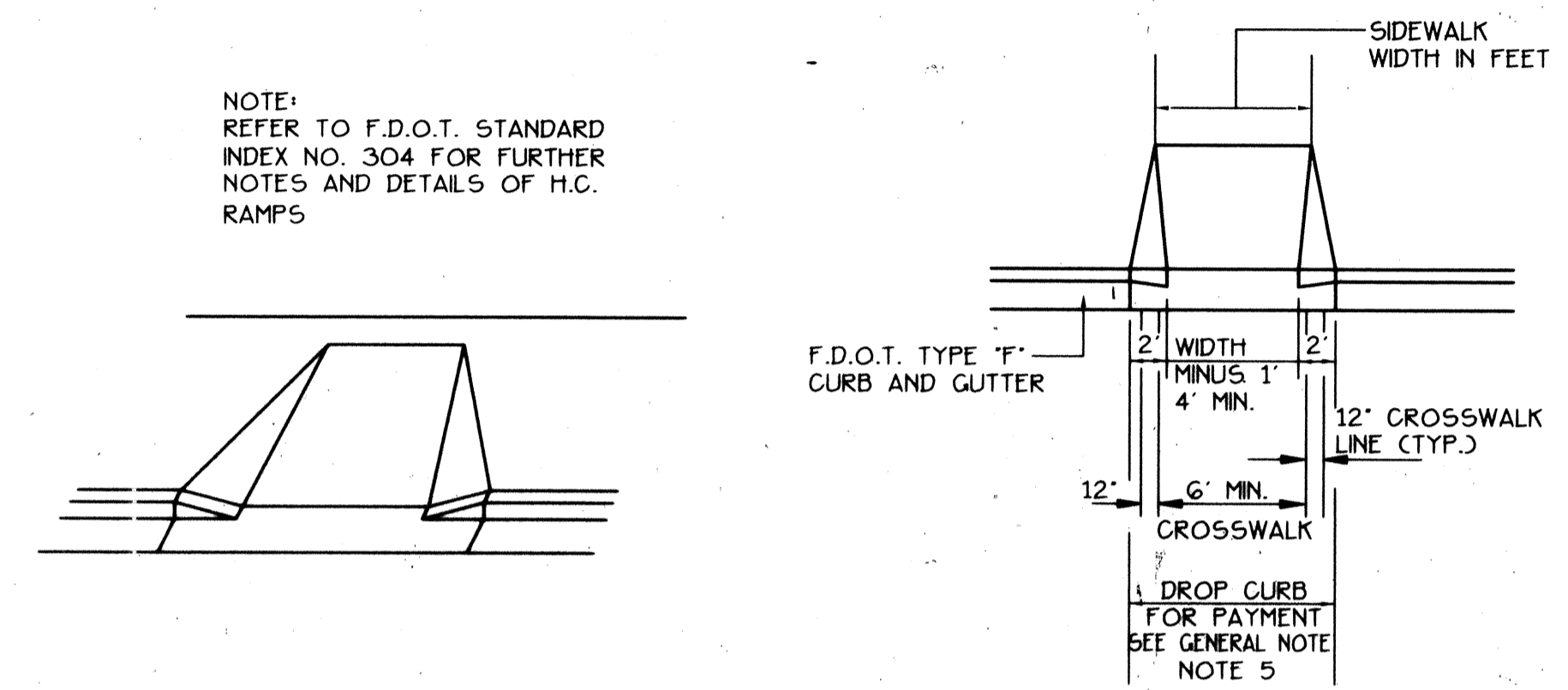
MIAMI CURB DETAIL
NTS



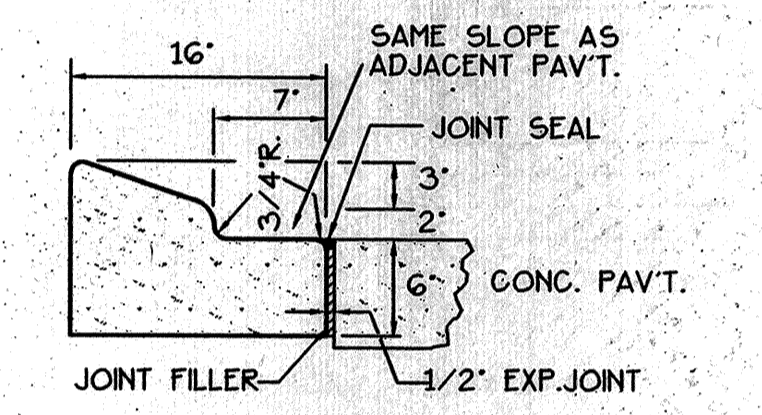
TYPE F CURB
NTS



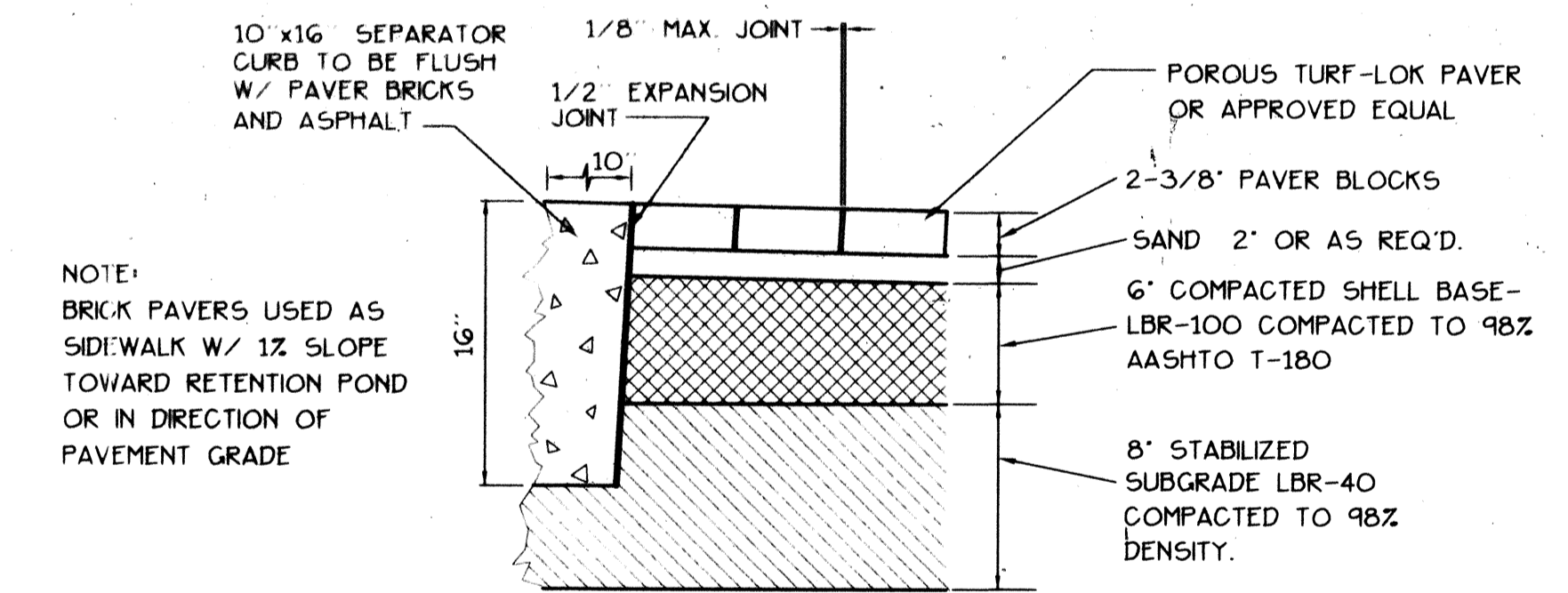
TYPICAL PAVEMENT SECTION
NTS



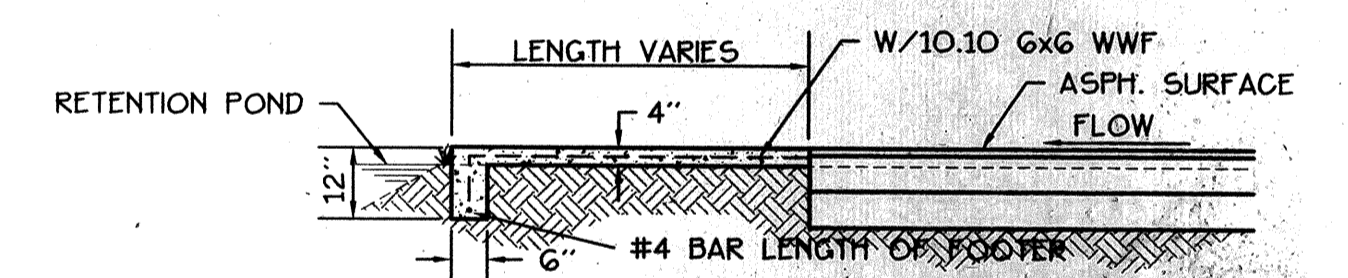
PICTORIAL VIEW
CURB CUT RAMP DETAIL
NTS



TYPE "A" CONCRETE CURB
NTS



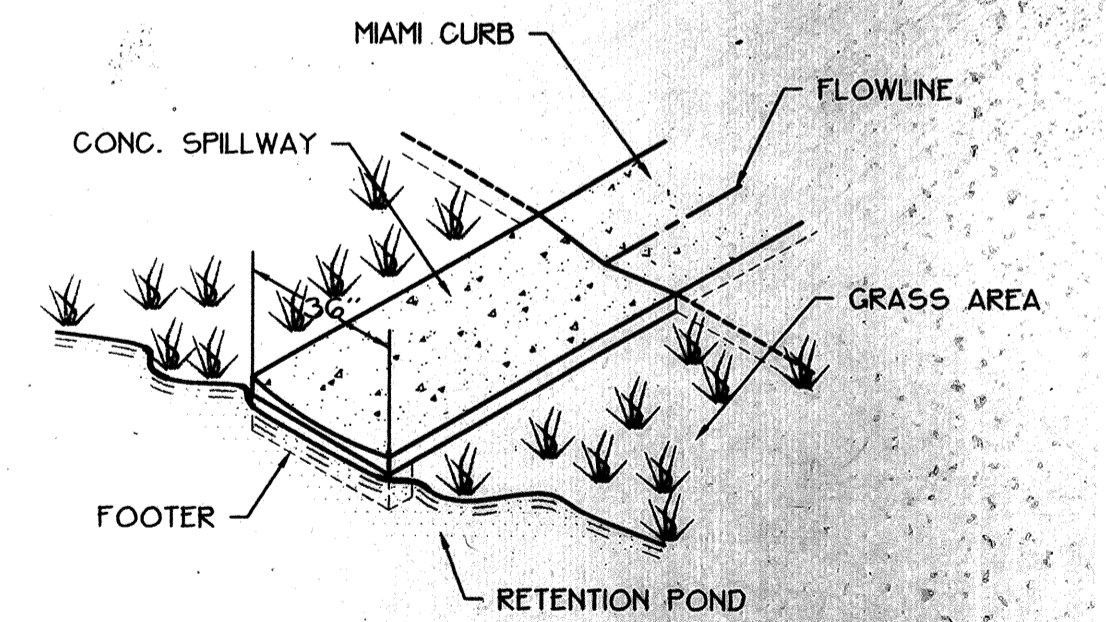
PAVER BLOCK DETAIL
NTS



SECTION THRU SPILLWAY
NTS

NOTE: BRICK PAVERS USED AS SIDEWALK W/ 1/2 SLOPE TOWARD RETENTION POND OR IN DIRECTION OF PAVEMENT GRADE

NOTE: TENNIS COURT SHALL BE CONSTRUCTED WITH HARTRU SURFACE.



CONCRETE SPILLWAY DETAILS
NTS

NOTE: THE PROJECT HAS BEEN CONSTRUCTED IN COMPLIANCE WITH THE APPROVED PLANS

RECORD DRAWINGS

VIZCAYA at LONGBOAT KEY
ECOVENTURE LBK, LTD.
SITE AND DEVELOPMENT PAVING AND GRADING DETAILS

PROJECT NO. **ECG-0**
SHEET NO. **5**

C:\WORK\EGS-01\VIZMCD\ADD105 Sun Apr 28 23:18:27 1996

BISHOP & ASSOCIATES
Engineers - Surveyors - Planners
AN EMPLOYEE OWNED COMPANY
101 6TH AVE. WEST, SUITE 108, BRADENTON FLORIDA 34205
PHONE (941) 746-7446 - FAX (941) 746-7809

REVISED	BY	DATE	Q.C.	DATE	DESCRIPTION
	RPA	4-29-96	MMB	4-29-96	PAVER BLOCK DETAIL MODIFICATIONS

TASK	INITIALS	DATE
DESIGN	M.M.H.	9/30/94
DRAWN	R.P.A.	9/30/94
CHECKED		
QUALITY CHK.		
HORIZ. SCALE		
VERT. SCALE	AS SHOWN	

SEAL ENGINEER OR SURVEYOR OF RECORD DATE