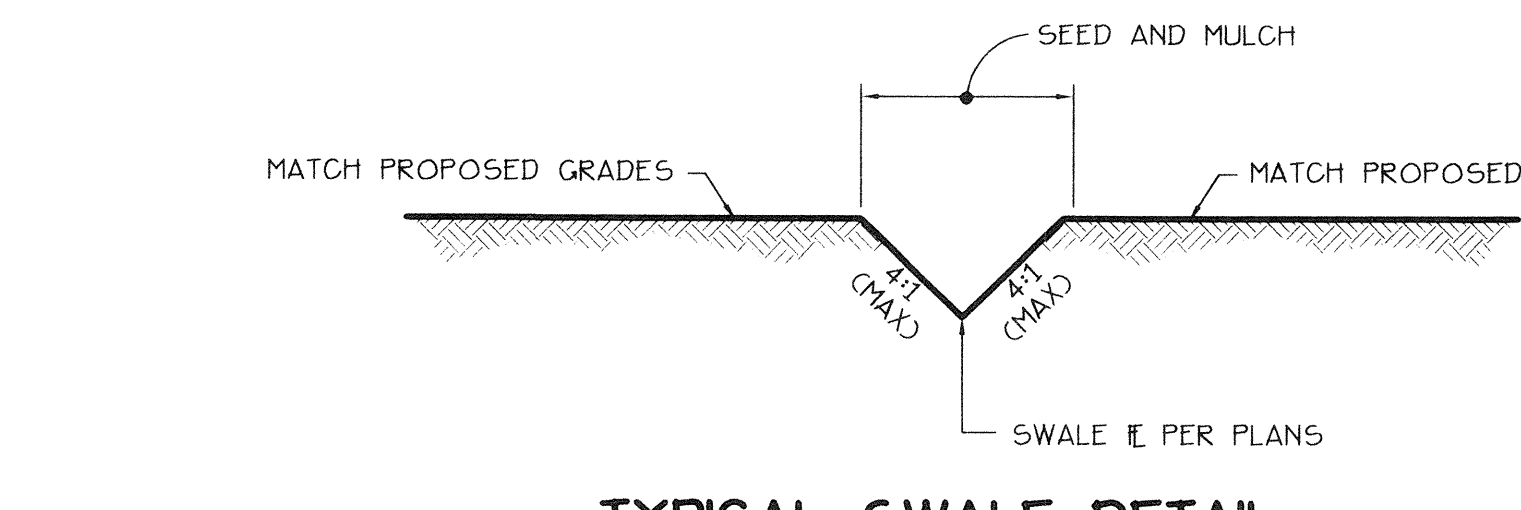
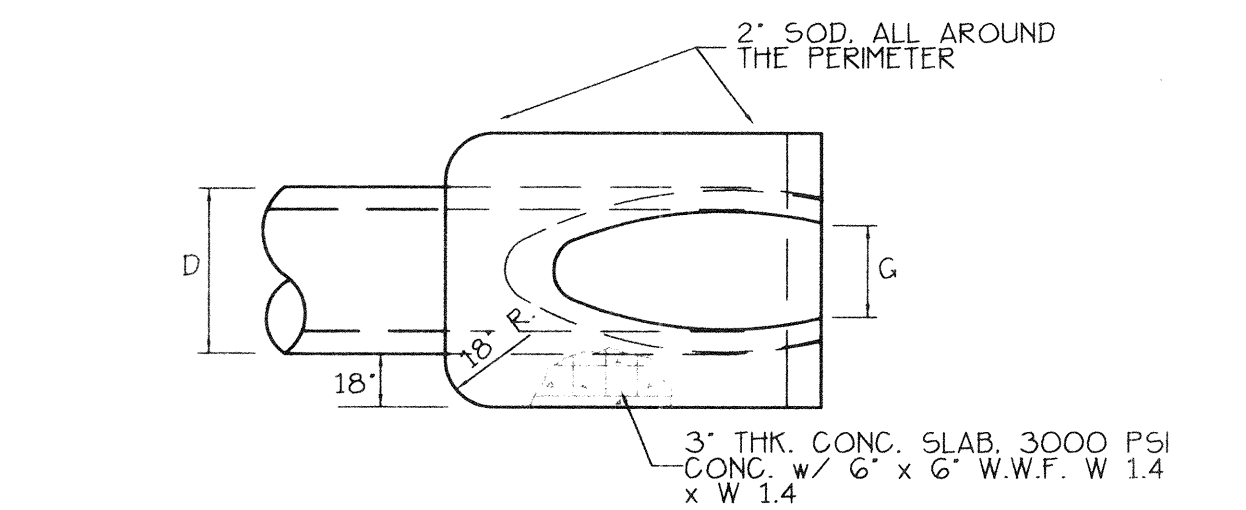
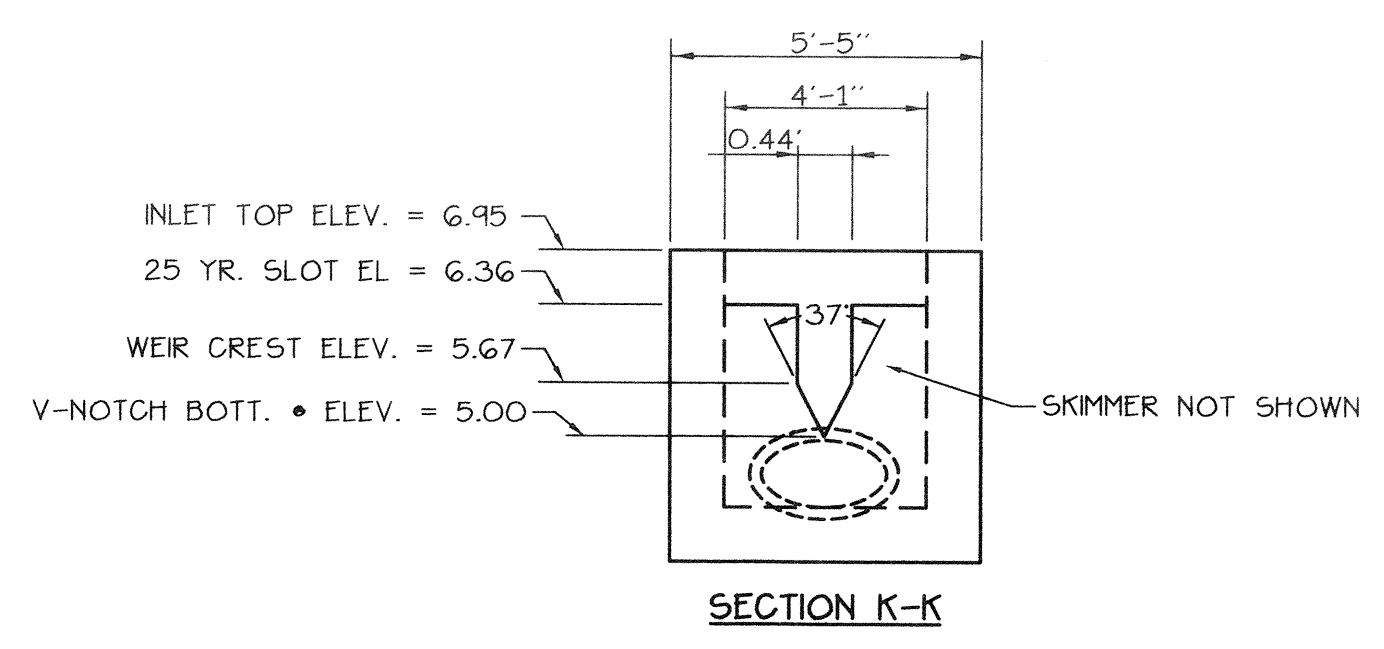
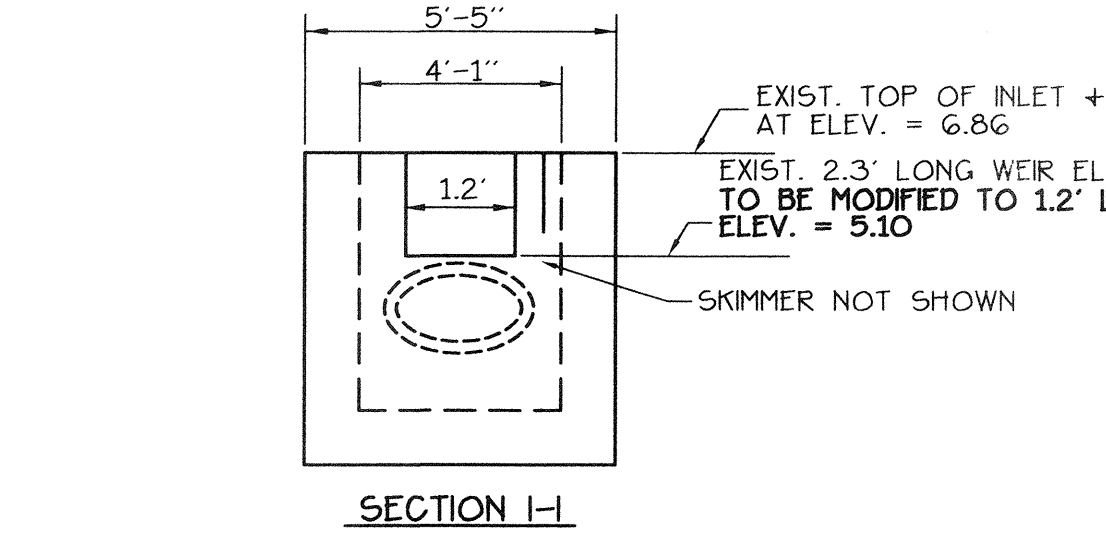
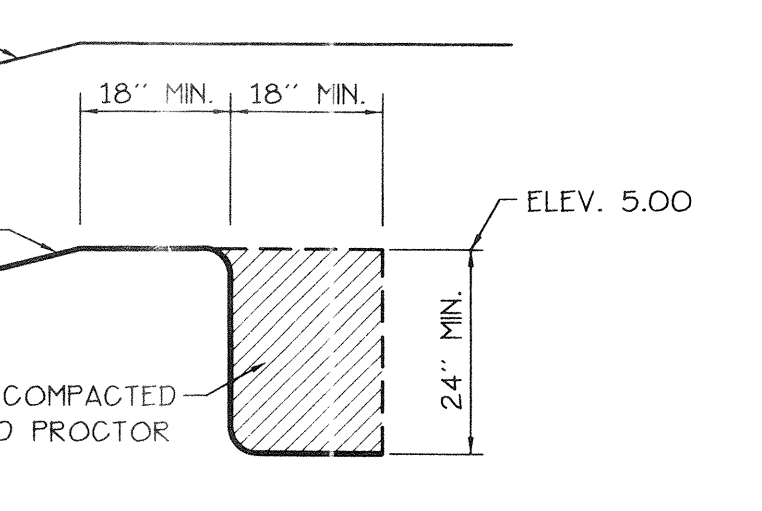
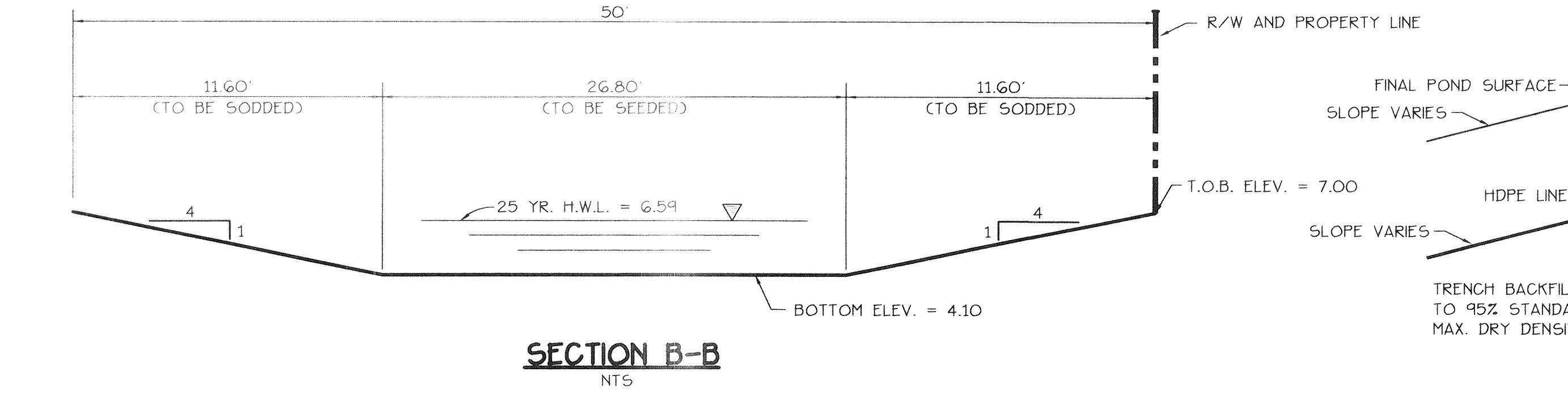
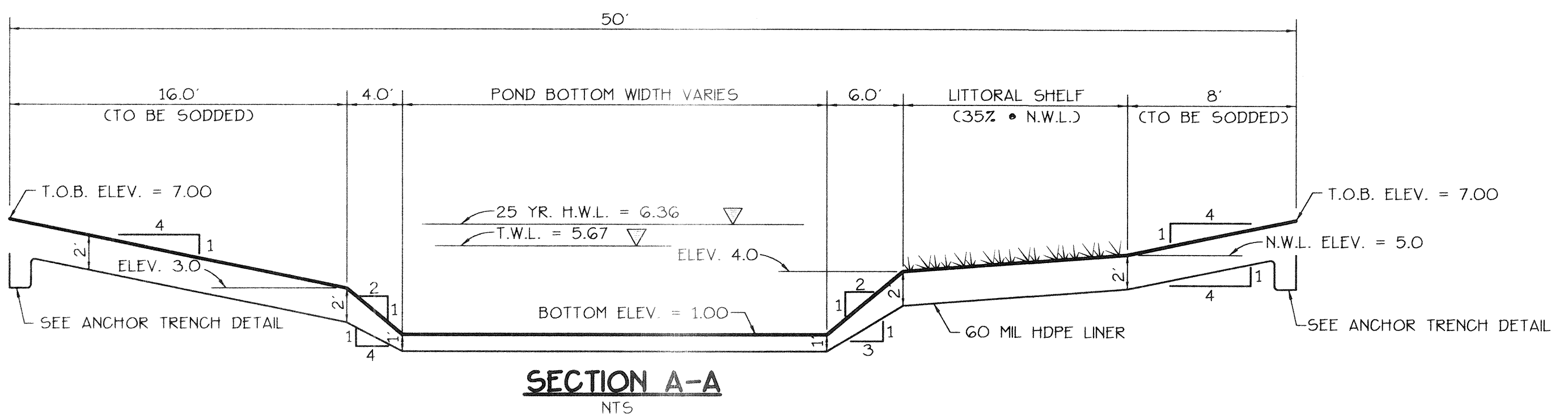
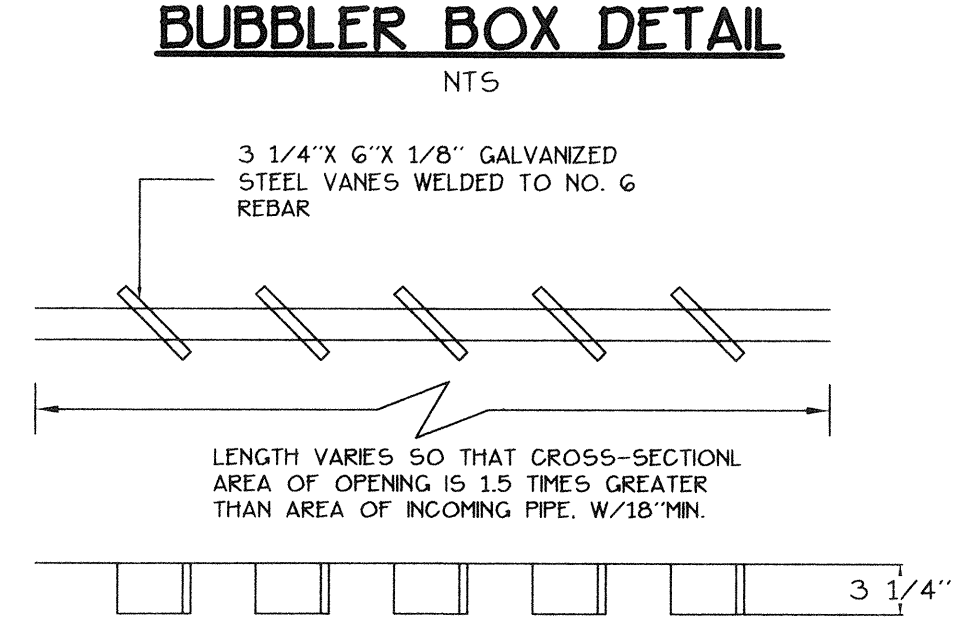
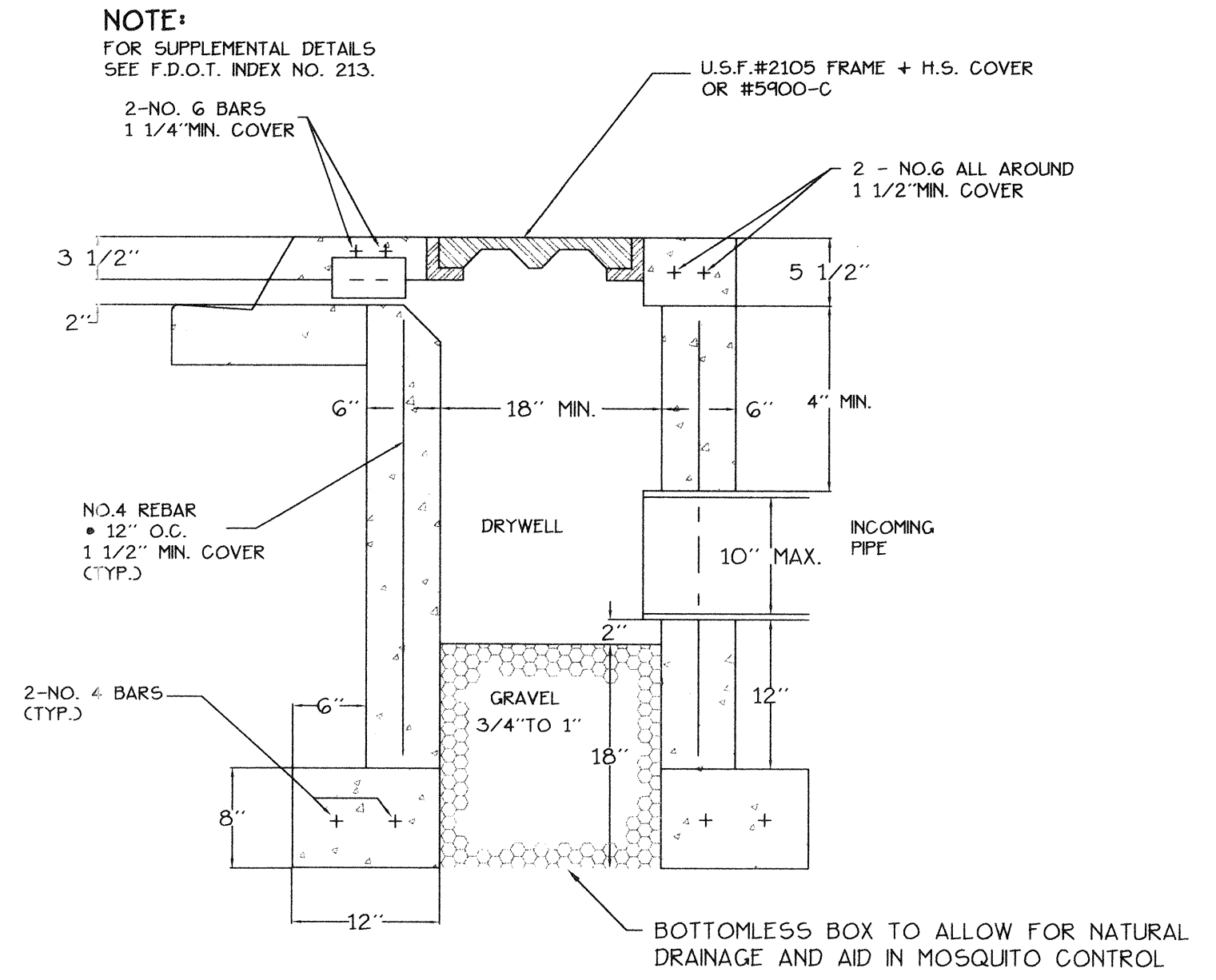
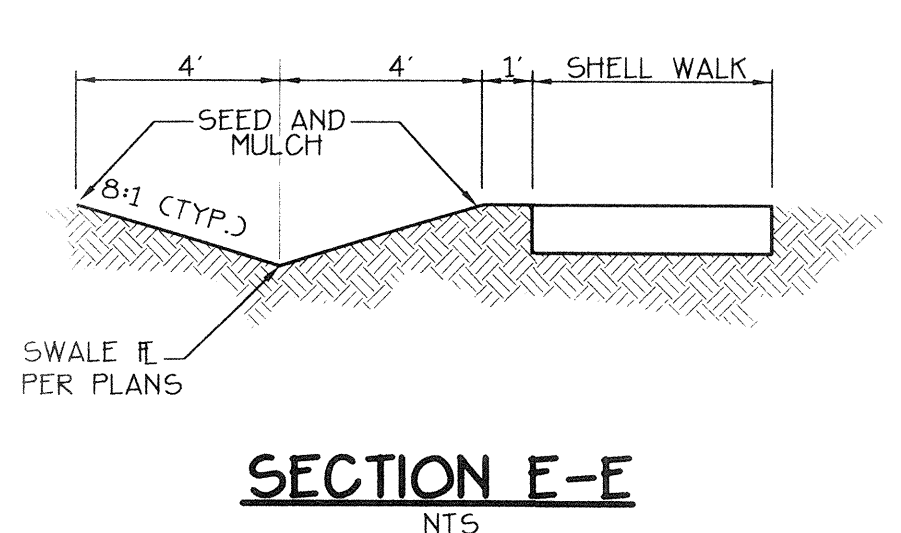
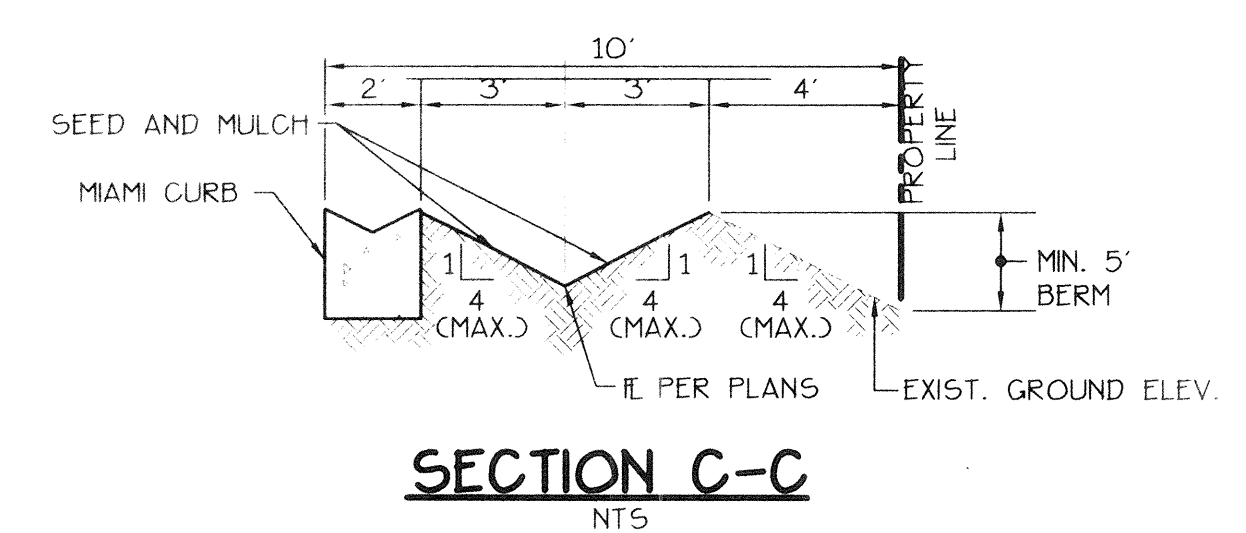
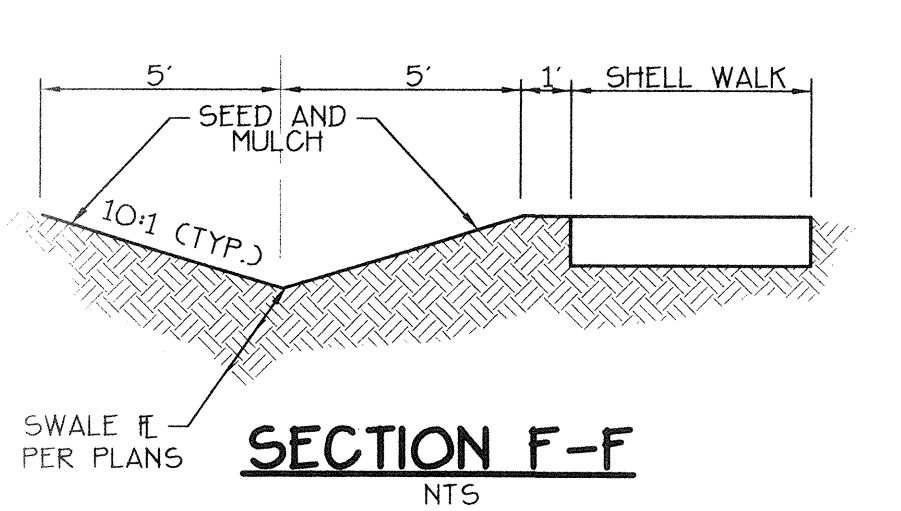
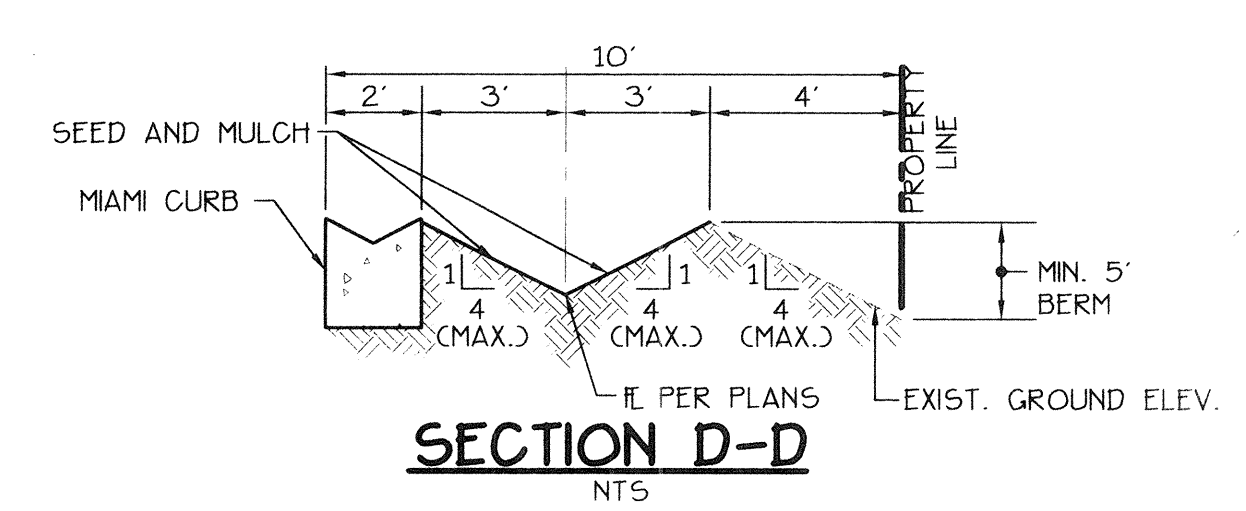
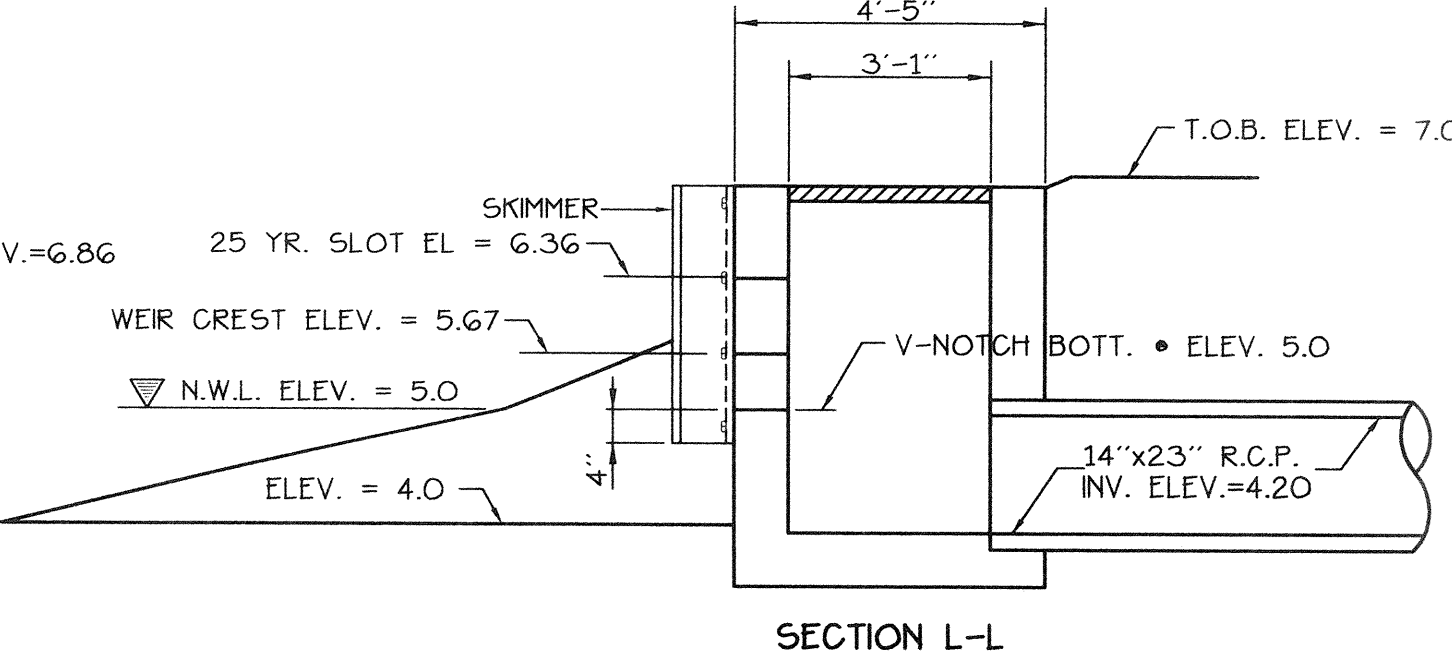
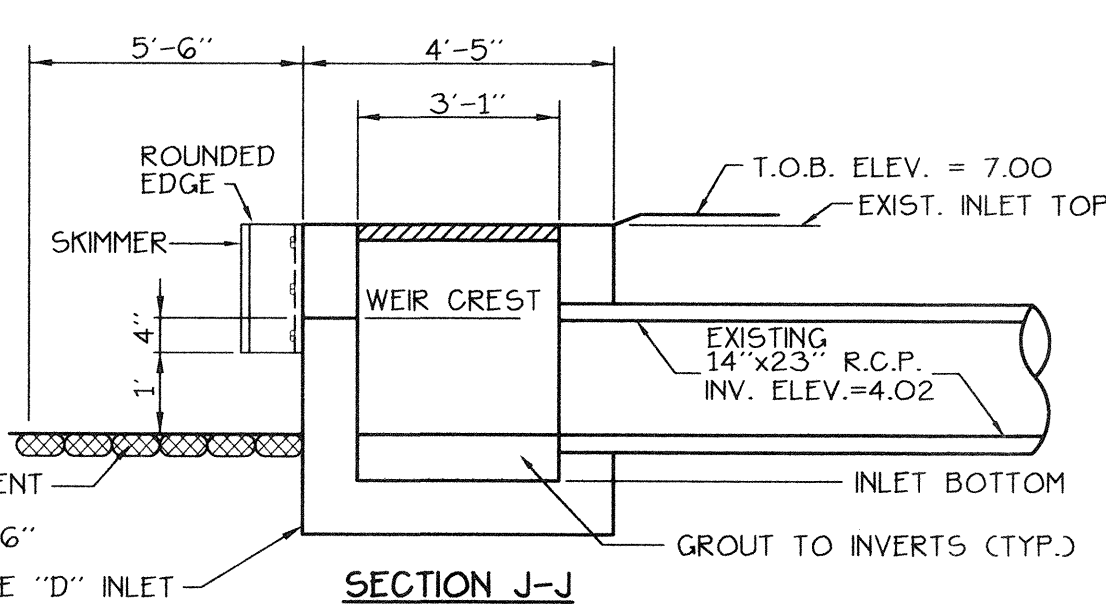
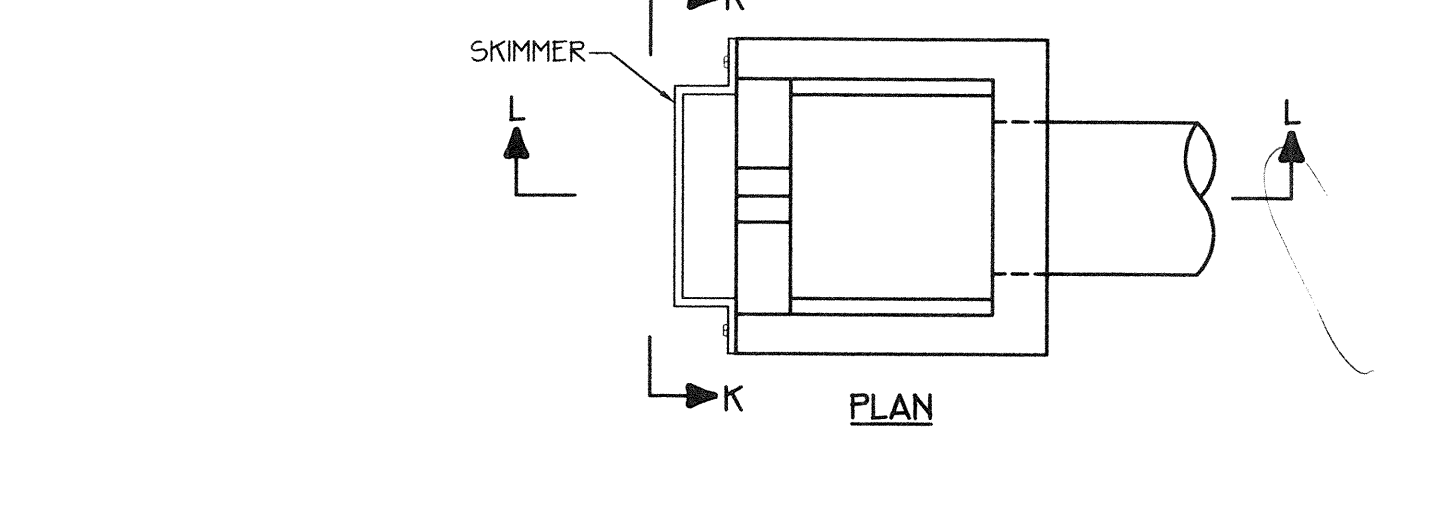
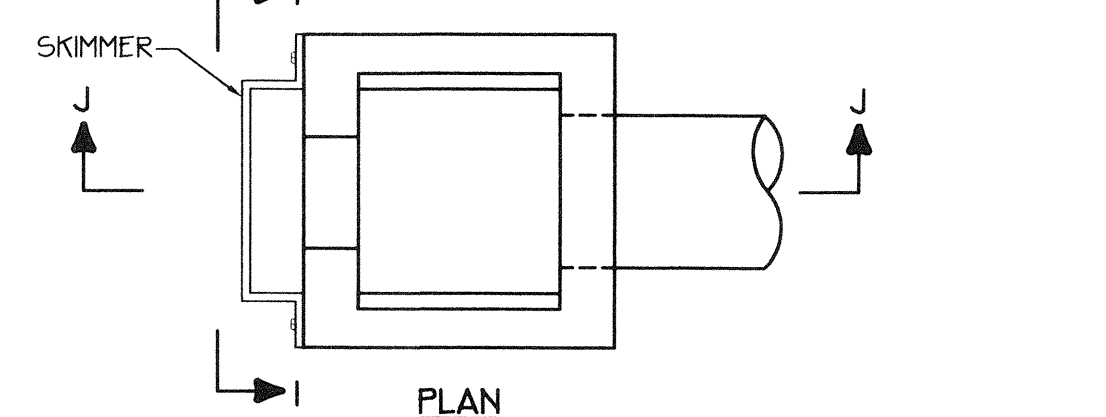
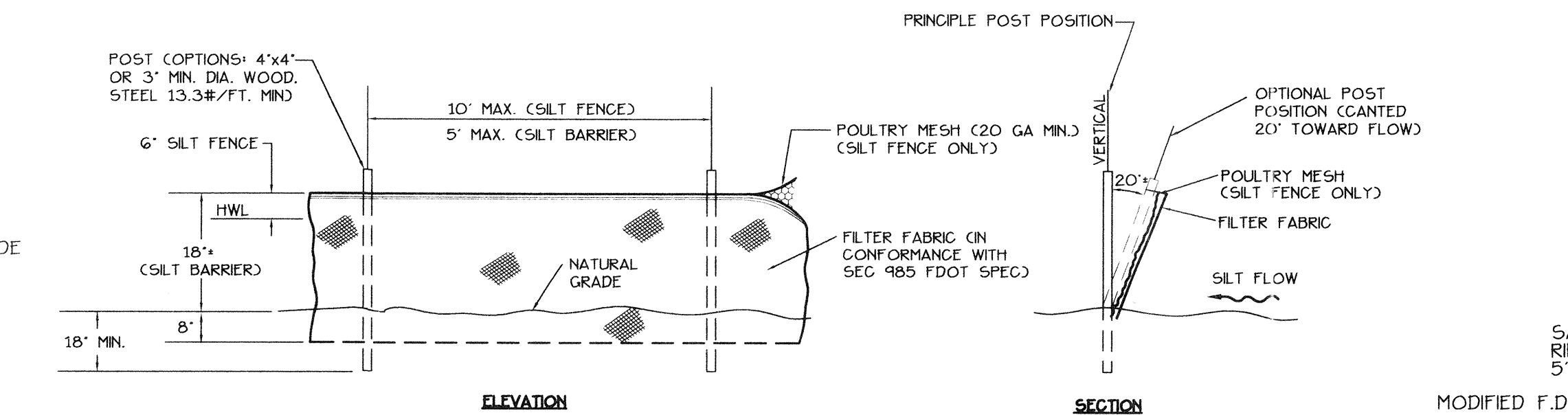
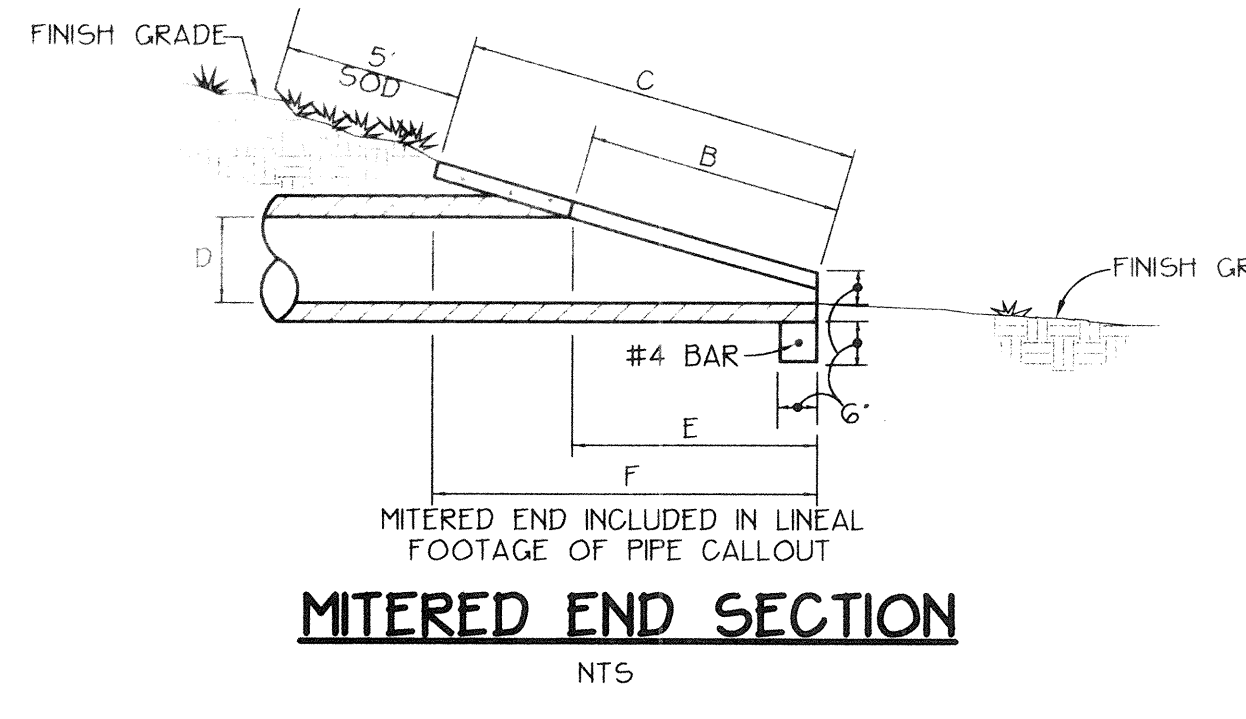


DRAINAGE CONSTRUCTION NOTES:

1. ALL PROPOSED IMPROVEMENTS TO THE SITE TO BE STAKED IN THE FIELD BY OR UNDER THE SUPERVISION OF A FLORIDA REGISTERED LAND SURVEYOR.
2. THE CONTRACTOR IS TO PROVIDE THE ENGINEER OF RECORD WITH REPRODUCIBLE AS-BUILT DRAWINGS SHOWING ALL IMPROVEMENT LOCATIONS AND ELEVATIONS.
3. ALL PROPOSED CONSTRUCTION IS TO MEET OR EXCEED LATEST APPLICABLE TOWN OF LONGBOAT KEY CONSTRUCTION STANDARDS AND TO CONFORM TO ENGINEER'S SPECIFICATIONS. PROPOSED CONSTRUCTION IS TO BE PRIVATELY OWNED AND OPERATED.
4. TO PREVENT SEDIMENTARY RUNOFF DURING CONSTRUCTION, FILTER MESH BALES OR SILT SCREENS TO BE PLACED AT OUTFALL LOCATION AS SHOWN ON PLANS. STORMWATER TREATMENT FACILITIES TO BE CONSTRUCTED EARLY IN SITE DEVELOPMENT, WITH NO OFF-SITE, UNTREATED RUNOFF OCCURRING DURING CONSTRUCTION.
5. THE CONTRACTOR IS TO COORDINATE THE LOCATION AND ELEVATION OF ALL F.P.L., G.T.E. AND IRRIGATION SERVICE SLEEVES WITH RESPECTIVE AGENCY PRIOR TO CONSTRUCTION.
6. ALL EXISTING UTILITIES ARE TO BE FIELD VERIFIED FOR LOCATION AND ELEVATION PRIOR TO CONSTRUCTION. CONTRACTOR TO NOTIFY "CANDY" 48 HOURS MINIMUM PRIOR TO START OF CONSTRUCTION FOR POSSIBLE UTILITY LOCATIONS NOT SHOWN.
7. THE CONTRACTOR IS TO ASSURE HIMSELF THAT ALL UNDERGROUND UTILITIES ARE CONSTRUCTED, TESTED AND OPERATIONAL PRIOR TO ANY PARKING LOT CONSTRUCTION.
8. AS-BUILT POND LOCATIONS AND ELEVATIONS (INCLUDING TOP OF BANK AND POND BOTTOM) SHALL BE PERFORMED BY REGISTERED LAND SURVEYOR AND REVIEWED BY ENGINEER PRIOR TO ACCEPTANCE AND PAYMENT.
9. ROADSIDE UNDERDRAIN SHALL BE REQUIRED AS DETERMINED NECESSARY BY THE ENGINEER OF RECORD AND/OR TOWN OF LONGBOAT KEY INSPECTION DEPARTMENT.
10. ALL FILL AREAS TO BE CONSTRUCTED IN 6" LIFTS, 100% STANDARD PROCTOR, AASHTO T-99 UTILIZING SUITABLE MATERIAL.
11. CONTRACTOR SHALL BE RESPONSIBLE FOR VERIFYING THE POINT OF CONNECTION OF ALL BUILDING SERVICE LINES AT THE BUILDING PRIOR TO INSTALLATION.
12. THE CONTRACTOR IS ASSUMED TO BE FAMILIAR WITH AND AT ALL TIMES SHALL OBSERVE AND COMPLY WITH ALL FEDERAL, STATE AND LOCAL LAWS, BYLAWS, SAFETY LAWS, BUILDING AND CONSTRUCTION CODES, AND ORDINANCES AND REGULATIONS IN ANY MANNER AFFECTING THE CONDUCT OF THE WORK.



PIPE	B	C	D	E	F	G
30"	9.25'	11.95'	30'	9.03'	13.00'	2.00'
36"	11.31'	14.18'	36'	11.03'	15.00'	2.24'



NOTE: CSTRUCTURE WAS CONSTRUCTED EARLY IN PHASE ONE - REQUIRES MODIFICATION PER CLIENTS WET RETENTION CHANGE

CONTROL STRUCTURE "A"

CONTROL STRUCTURE "B"

BISHOP & ASSOCIATES
 Engineers - Surveyors - Planners
 AN EMPLOYEE OWNED COMPANY
 1101 6TH AVE. WEST, SUITE 108, BRADENTON FLORIDA 34205
 PHONE (941) 746-7446 FAX (941) 746-7809

BY	DATE	G.C.	DATE	DESCRIPTION
RPA	12/15/94	MMH	12/15/94	ADDED CONTROL STR. "A", REV. ELEV'S HWL & POND BOTTOM
RPA	3/03/95	MMH	3/3/95	INCLUSION OF SECTIONS C-C THRU E-E
RPA	7/19/95	MMH	7/19/95	DEL. WEIR HOLES & U.D. RET. WALL, ADD BUBBLER BOX & GALV. VANES DTL'S
RPA	10/20/95	MMH	10/20/95	BUBBLER BOX REVISIONS (REMOVE BOTTOM TO ALLOW FOR DRAINAGE) (LLBK)
B.C.	1/29/96	E.C.K.	3/29/96	REVISIONS/ADDITIONS FOR SWIF.W.M.D. MODIFICATION

BY	DATE	G.C.	DATE	DESCRIPTION
RPA	12/15/94	MMH	12/15/94	ADDED CONTROL STR. "A", REV. ELEV'S HWL & POND BOTTOM
RPA	3/03/95	MMH	3/3/95	INCLUSION OF SECTIONS C-C THRU E-E
RPA	7/19/95	MMH	7/19/95	DEL. WEIR HOLES & U.D. RET. WALL, ADD BUBBLER BOX & GALV. VANES DTL'S
RPA	10/20/95	MMH	10/20/95	BUBBLER BOX REVISIONS (REMOVE BOTTOM TO ALLOW FOR DRAINAGE) (LLBK)
B.C.	1/29/96	E.C.K.	3/29/96	REVISIONS/ADDITIONS FOR SWIF.W.M.D. MODIFICATION

TASK INITIALS DATE
 DESIGN MMH/CCK 9/30/94
 DRAWN R.P.A. 9/30/94
 CHECKED C.C.K. 3/29/96
 QUALITY CHK M.A.A. 3/29/96
 HORIZ. SCALE 45' SHOWN
 VERT. SCALE
 SEAL: ENGINEER OR SURVEYOR OF RECORD DATE: AUG 15 1996

VIZCAYA at LONGBOAT KEY
 ECOVENTURE L.B.K. LTD.
 SITE DEVELOPMENT DRAINAGE DETAILS
 PROJECT NO: ECG-01
 SHEET NO: 6