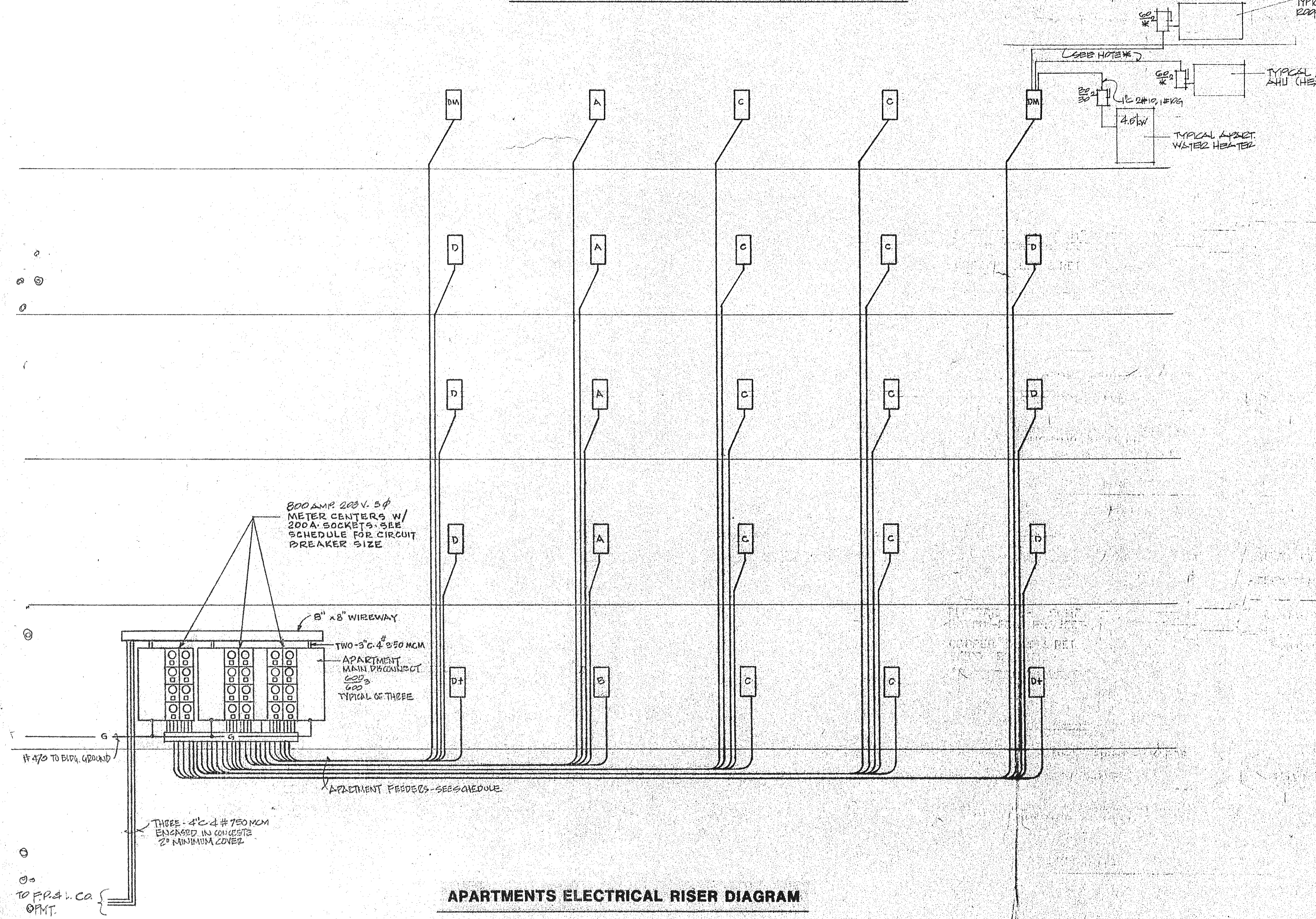


HOUSE ELECTRICAL RISER DIAGRAM - BLDG. 3

RISER DIAGRAM NOTES:

1. EMERGENCY POWER MAIN DISCONNECT - 3 POLE, 800 AMPERE HEAVY DUTY TYPE W/ 700 AMPERE BUSMAN CURRENT LIMITING, DUAL ELEMENT, TIME DELAY CLASS "L" FUSES.
2. AUTOMATIC TRANSFER SWITCH - 3 POLE, 250 AMPERE, 250 VOLT WITH OVERLAPPING NEUTRAL TRANSFER CONTACTS AND STANDARD ACCESSORIES IN NEMA 1 ENCLOSURE.
3. EMERGENCY GENERATOR - 155 KW, 120/208 VOLT, 3 Ø, 4W. WITH STANDARD CONTROLS AND GAUGES, DIESEL ENGINE DRIVEN, WATER COOLED MOUNTED ON VIBRATION DAMPERS.
4. THE CONTRACTOR SHALL REFER TO THE MECHANICAL AND ARCHITECTURAL PLANS FOR WHIELPAIL AND/OR HOT TUB LOCATION; ALL NECESSARY ELECTRICAL WIRING AND CIRCUITS SHALL BE PROVIDED UNDER THIS CONTRACT.

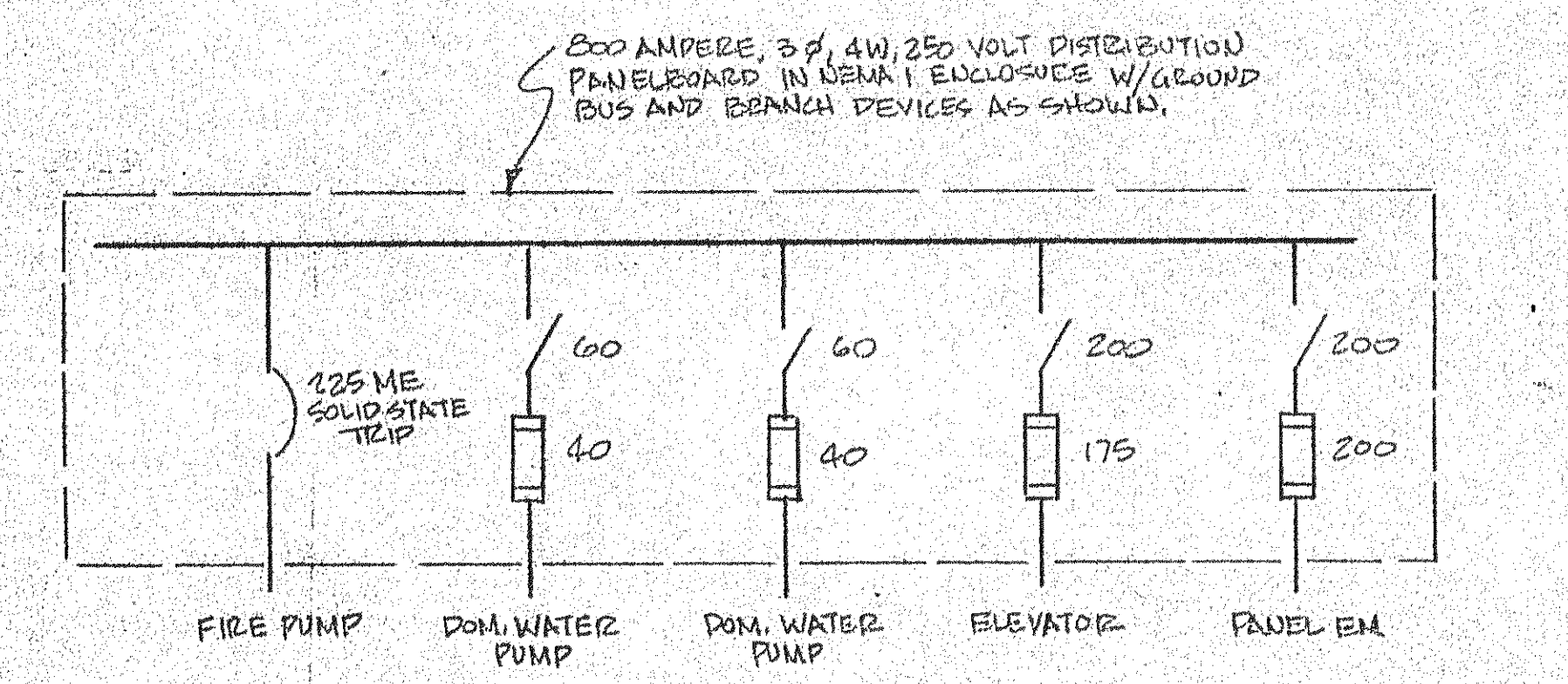


APARTMENTS ELECTRICAL RISER DIAGRAM

APARTMENT FEEDER SCHEDULE

LOAD CENTER	METER CENTER CIRCUIT BREAKER	FEEDER
A	2P-175A	1 1/2" C-3#2/0, 1#4G
B	2P-175A	1 1/2" C-3#2/0, 1#4G
C	2P-200A	2" C-3#3/0, 1#4G
D	2P-200A	2" C-3#3/0, 1#4G
D+	2P-200A	2" C-3#3/0, 1#4G
DM	2P-200A	2" C-3#3/0, 1#4G

* ALL BRANCH CIRCUITS FOR AIR CONDITIONING EQUIPMENT, CONDUIT AND CABLE SHALL BE INCLUDED IN THIS CONTRACT. THE CONTRACTOR SHALL SIZE THE CABLE IN ACCORDANCE WITH EQUIPMENT MANUFACTURERS RECOMMENDATIONS AND VOLTAGE DROP REQUIREMENTS



SINGLE LINE DIAGRAM EMERGENCY DISTRIBUTION SWITCHBOARD