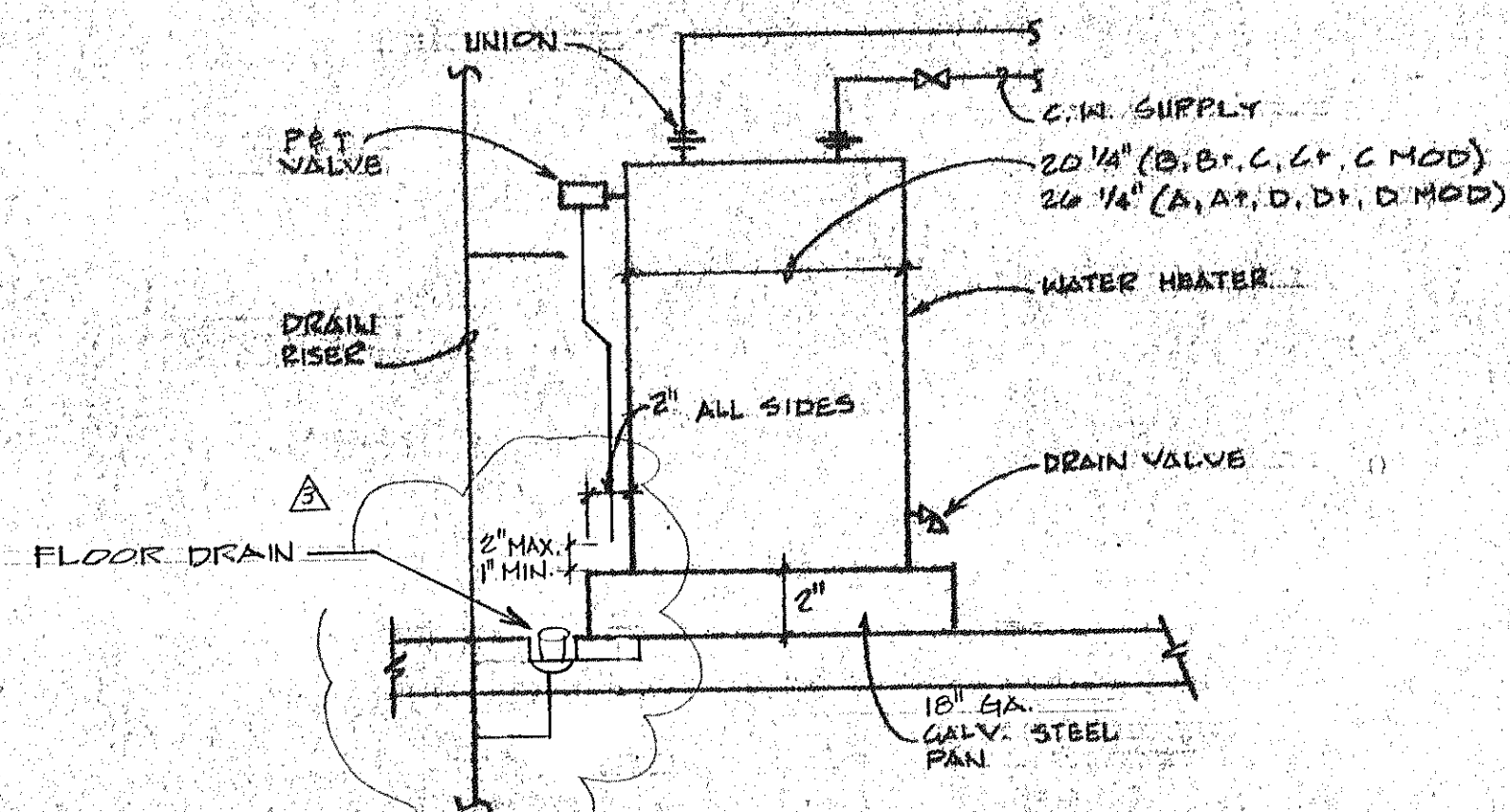


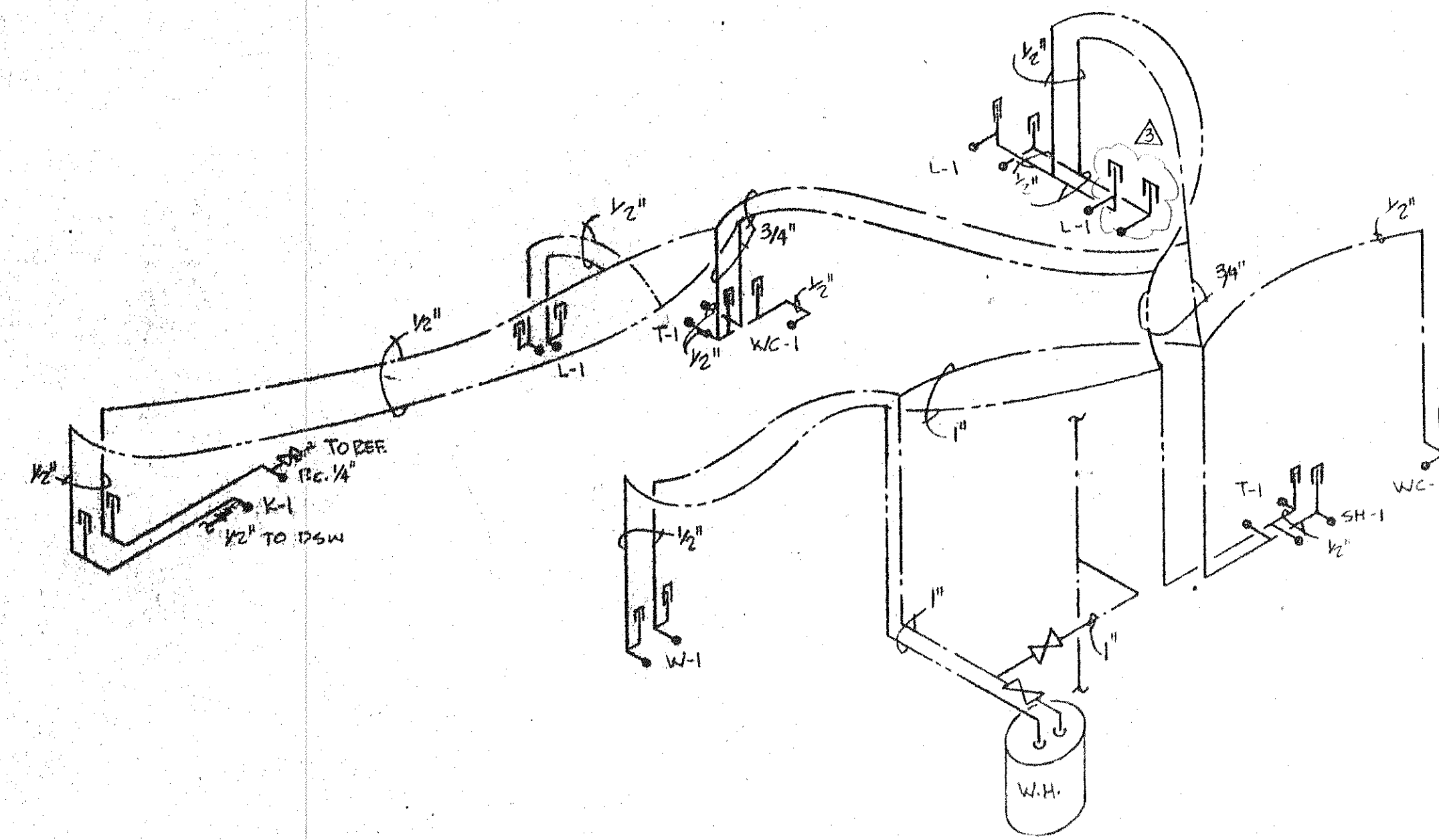
UNIT "A" AND "A1" WATER RISER

n.t.s.



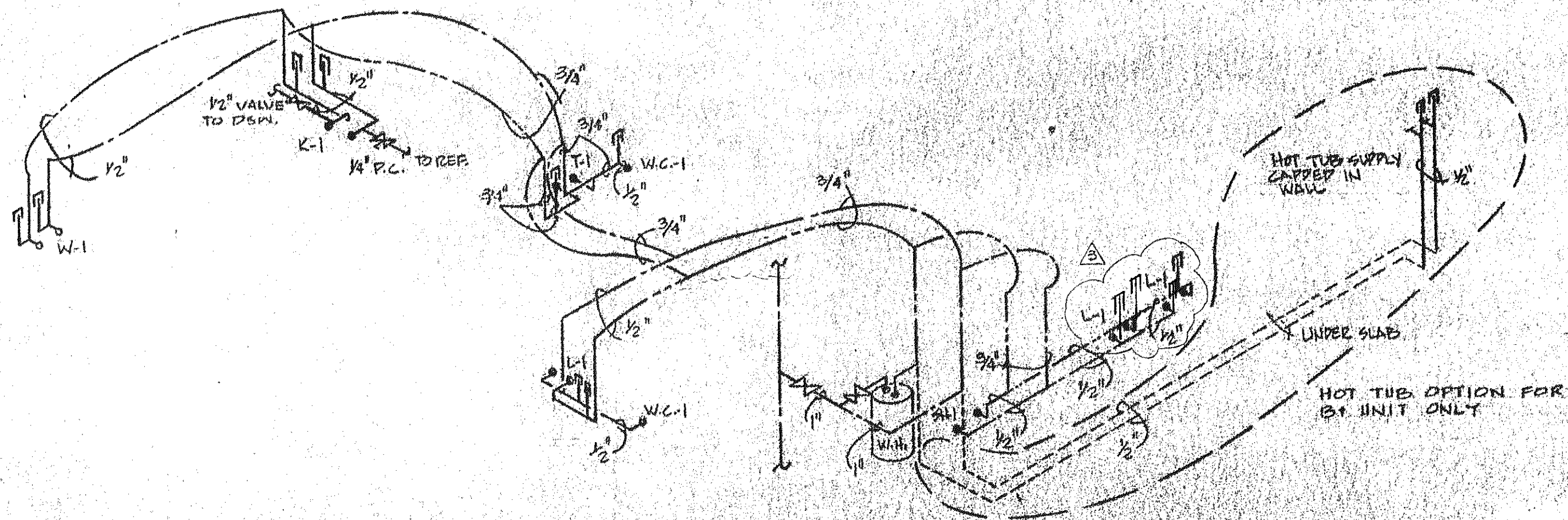
WATER HEATER DETAIL

WATER HEATERS SHALL BE 40 GAL.
 4.5 KW @ 208 VOLT
 "RHEEM" 668-40D (B, B1, C, L1, C MOD)
 "RHEEM" 668-40D (A, A1, D, D1, D MOD)



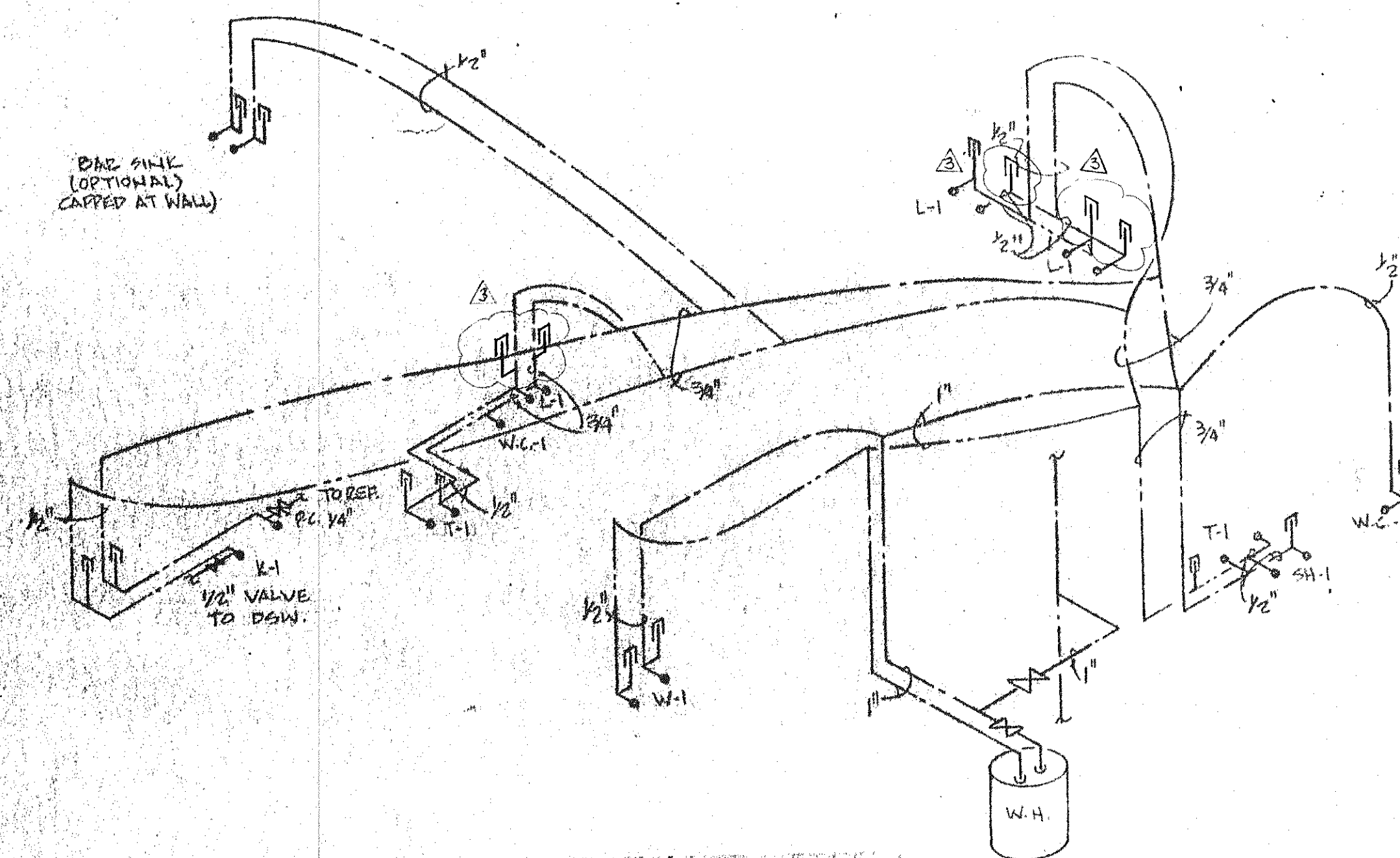
UNIT "D" WATER RISER

n.t.s.



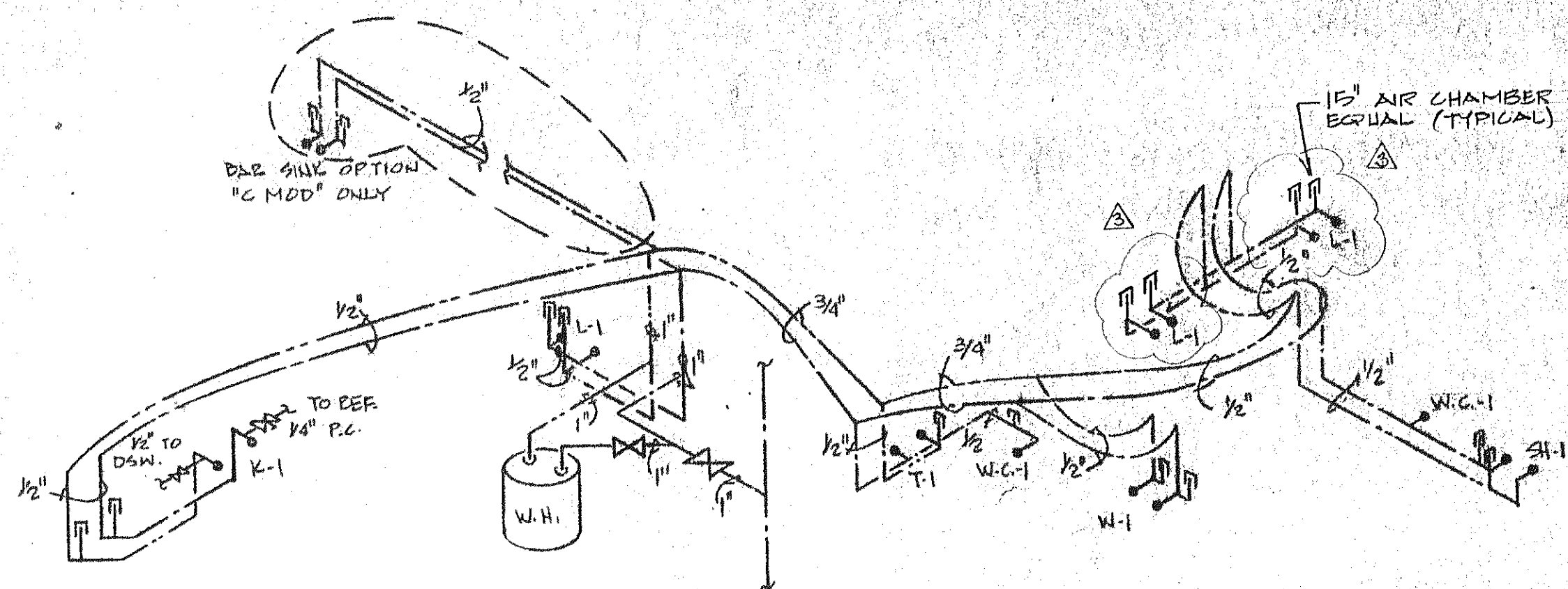
UNIT "B" AND "B1" WATER RISER

n.t.s.



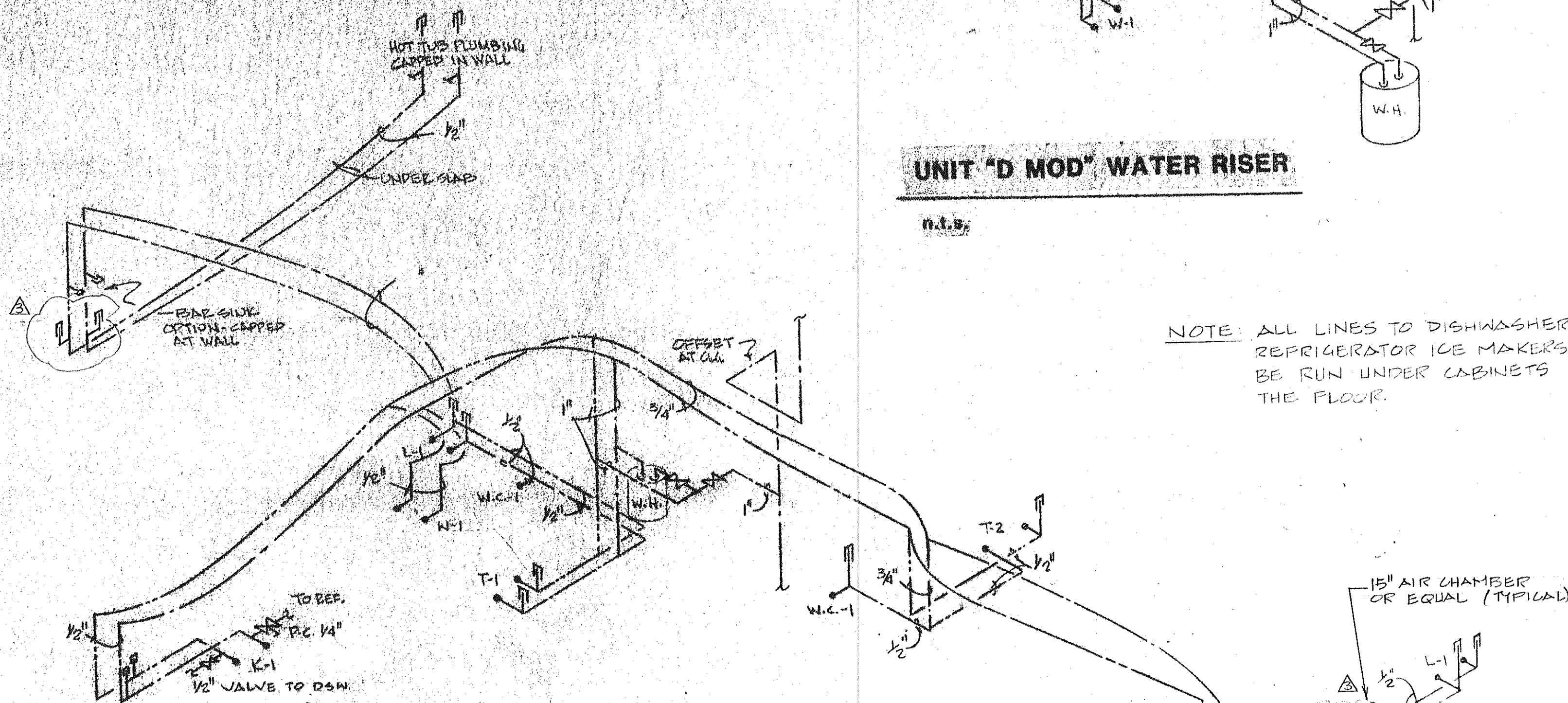
UNIT "D MOD" WATER RISER

n.t.s.



UNIT "C", "C1" AND "C MOD" WATER RISER

n.t.s.



UNIT "D1" WATER RISER

n.t.s.

NOTE: ALL LINES TO DISHWASHERS AND REFRIGERATOR ICE MAKERS SHOULD BE RUN UNDER CABINETS AND ABOVE THE FLOOR.