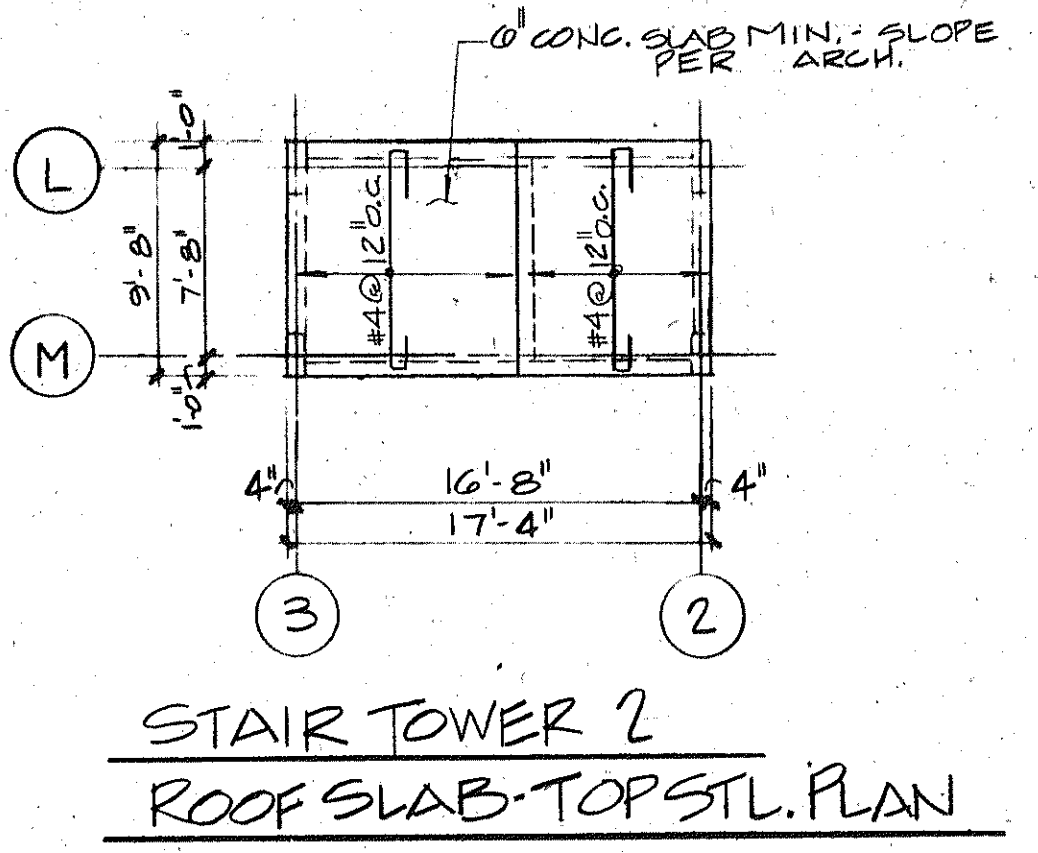
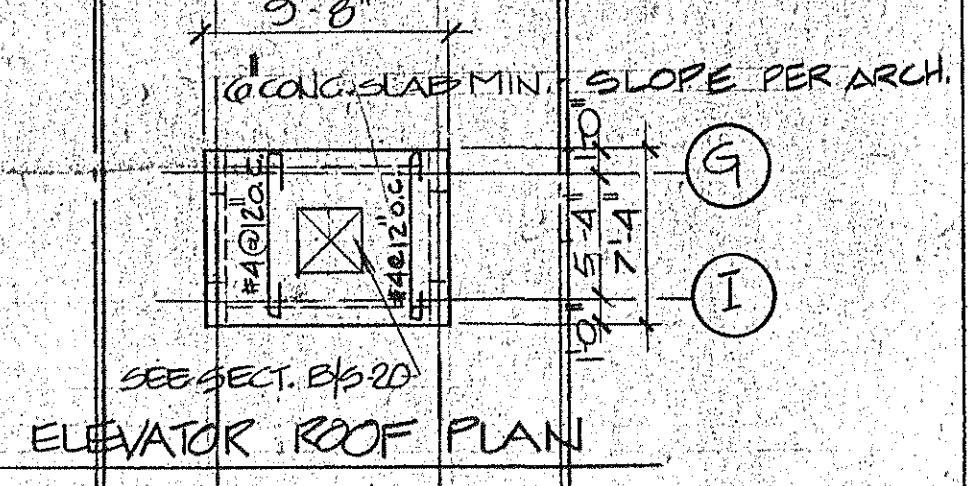
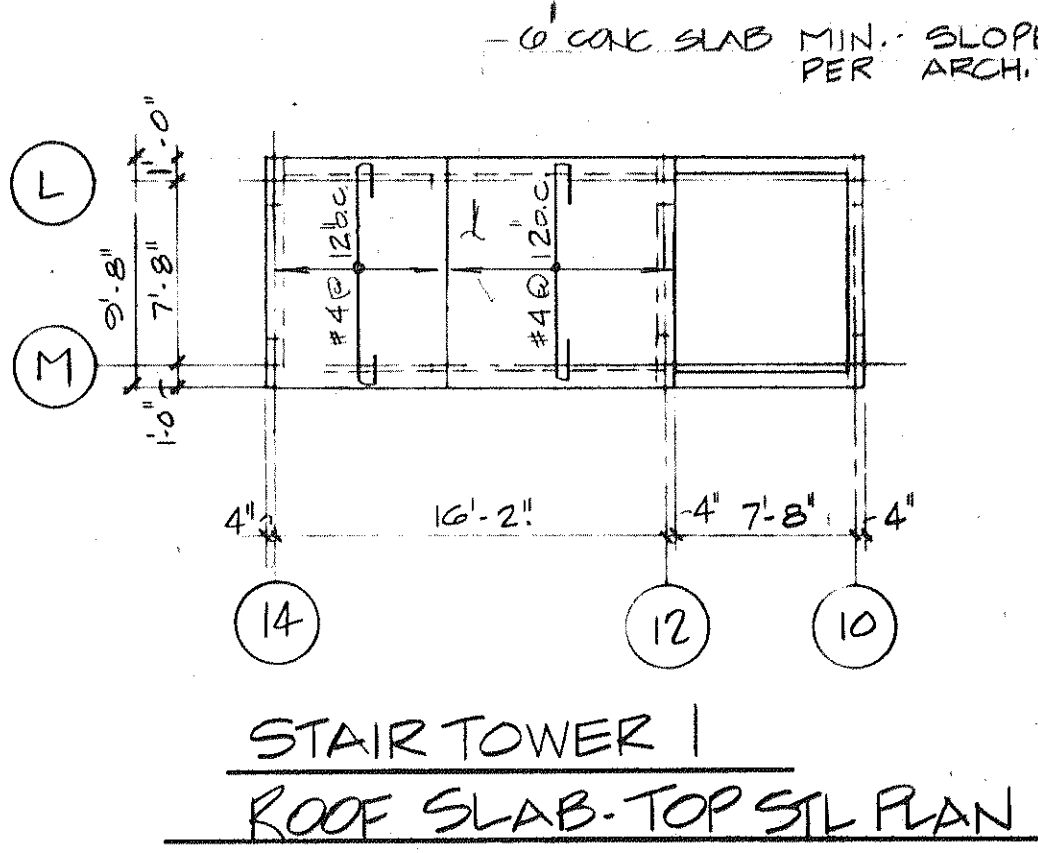


SLAB NOTES
 SLAB THICKNESS = 7" (MIN) @ DRAINS 9 1/2" TH @ RIDGES
 (TOP SLAB TO FOLLOW SLOPE 1" CLEAR OF TOP)
 CONCRETE STRENGTH = 4000 PS.I.
 REINFORCING STEEL
 GRADE = A615-60
 PLACEMENT NOTES & DETAILS = SHT. #5
 (+) BARS ARE ADD BARS & ARE IN ADDITION TO GRID REINF. SHOWN ON PLAN

REFERENCE NOTES
 COLUMN SCHEDULE = SHT. #5-15
 SHEARWALL SCHEDULE = SHT. #5-16
 BEAM SCHEDULE = SHT. #5-17



SUNSET BEACH
 OF LONG BOAT KEY
 BENNETT & BISHOP INC CONSULTING ENGINEERS & SURVEYORS
 EDWARD J SEIBERT AIA ARCHITECT & PLANNER PA THE SWA GROUP
 BRABHAM KUHN DEBAY CONSULTING ENGINEERS OLSEN WHITE & ASSOCIATES STRUCTURAL ENGINEERS

BLDG.-2 ROOF TOP STEEL PLAN 1/8"=1'-0"

ISSUED	12-10-82
REVISED	1-4-83
	4-1-83
	7-23-84
	3-12-84

SHEET
S.13
 OF