

DESIGN LOADS

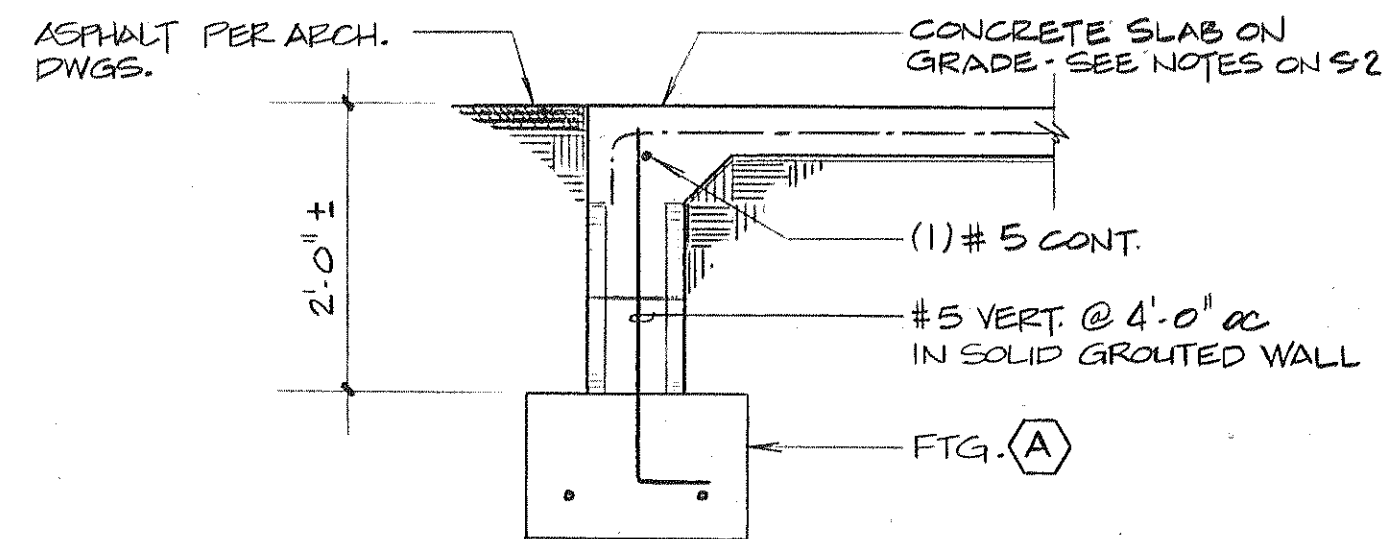
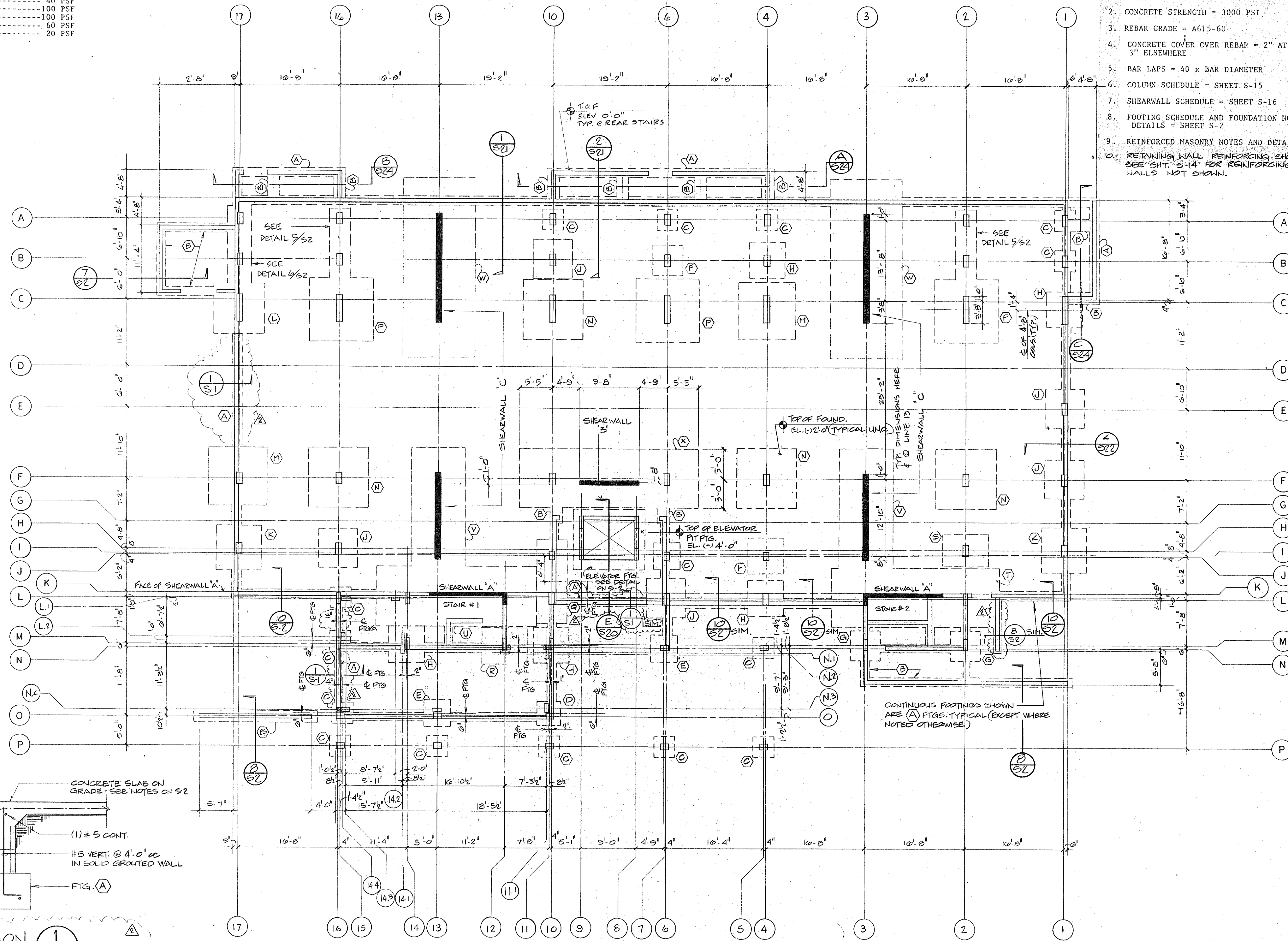
WIND LOAD-----110 MPH

DESIGN LIVE LOADS

UNITS-----40 PSF
 STAIRS-----100 PSF
 ELEVATOR LOBBY-----100 PSF
 PUBLIC WALKWAY-----60 PSF
 ROOF-----20 PSF

FOUNDATION NOTES:

1. DESIGN SOIL PRESSURE 4000 PSF IN ACCORDANCE WITH ARDAMAN & ASSOCIATES SOIL REPORT #82-7762
2. CONCRETE STRENGTH = 3000 PSI
3. REBAR GRADE = A615-60
4. CONCRETE COVER OVER REBAR = 2" AT FORMED EDGES 3" ELSEWHERE
5. BAR LAPS = 40 x BAR DIAMETER
6. COLUMN SCHEDULE = SHEET S-15
7. SHEARWALL SCHEDULE = SHEET S-16
8. FOOTING SCHEDULE AND FOUNDATION NOTES AND DETAILS = SHEET S-2
9. REINFORCED MASONRY NOTES AND DETAILS = SHEET S-14.
10. RETAINING WALL REINFORCING SHOWN IN SECTIONS SEE SHT. S-14 FOR REINFORCING IN EXTERIOR WALLS NOT SHOWN.



SECTION 1 S-1 3/4" = 1'-0"