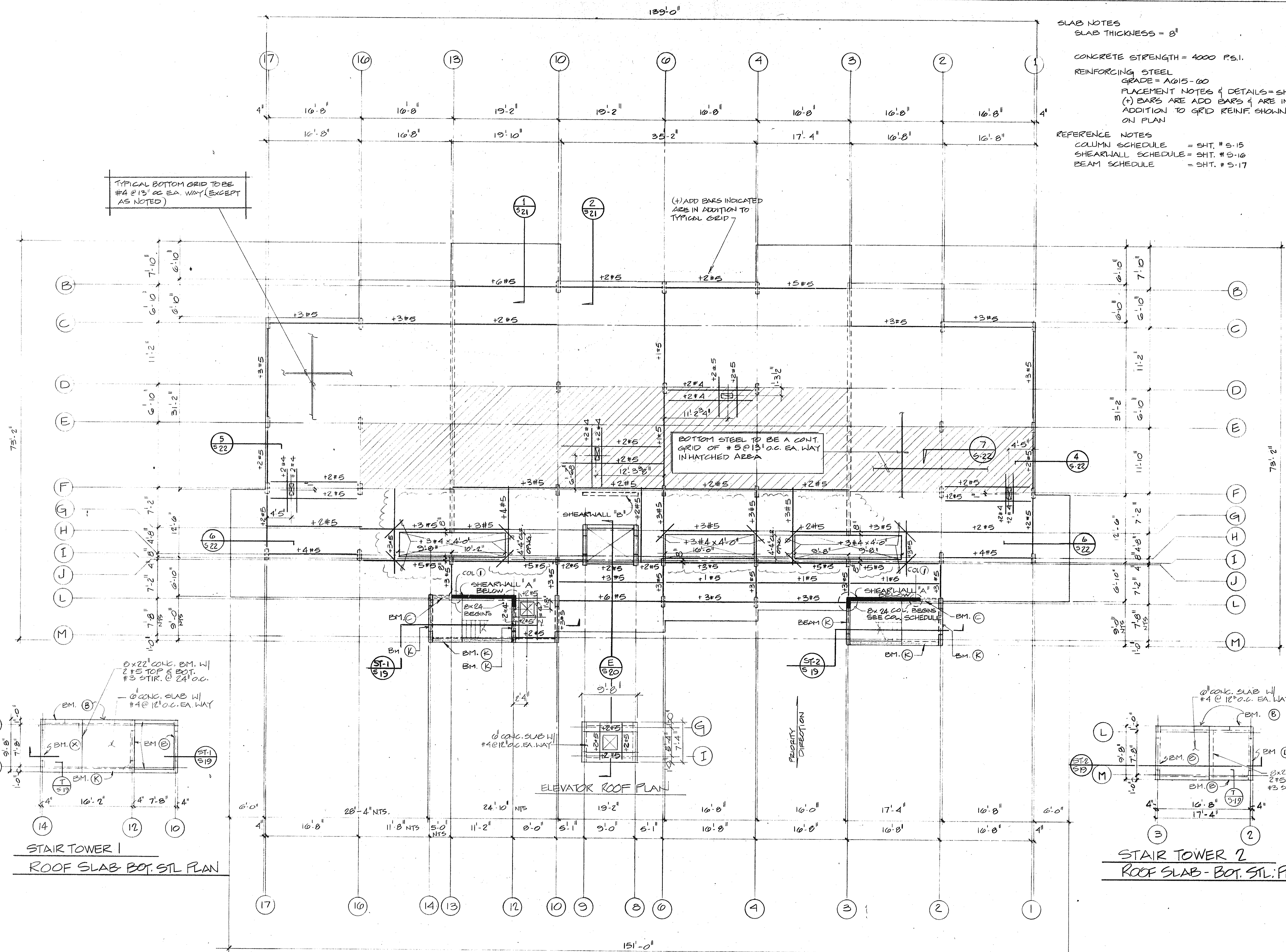


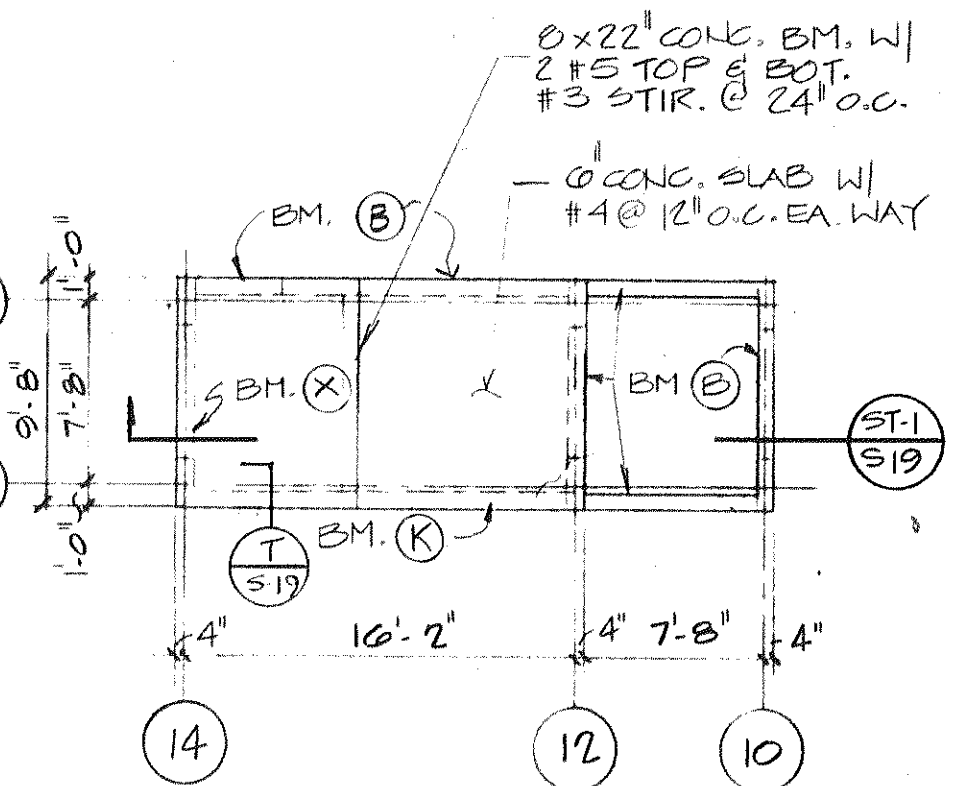
SLAB NOTES
 SLAB THICKNESS = 8"
 CONCRETE STRENGTH = 4000 P.S.I.
 REINFORCING STEEL
 GRADE = A615-60
 PLACEMENT NOTES & DETAILS = SHT. #5-14
 (+) BARS ARE ADD BARS & ARE IN ADDITION TO GRID REINF. SHOWN ON PLAN
REFERENCE NOTES
 COLUMN SCHEDULE = SHT. #5-15
 SHEARWALL SCHEDULE = SHT. #5-16
 BEAM SCHEDULE = SHT. #5-17



TYPICAL BOTTOM GRID TO BE #4 @ 13" O.C. EA. WAY (EXCEPT AS NOTED)

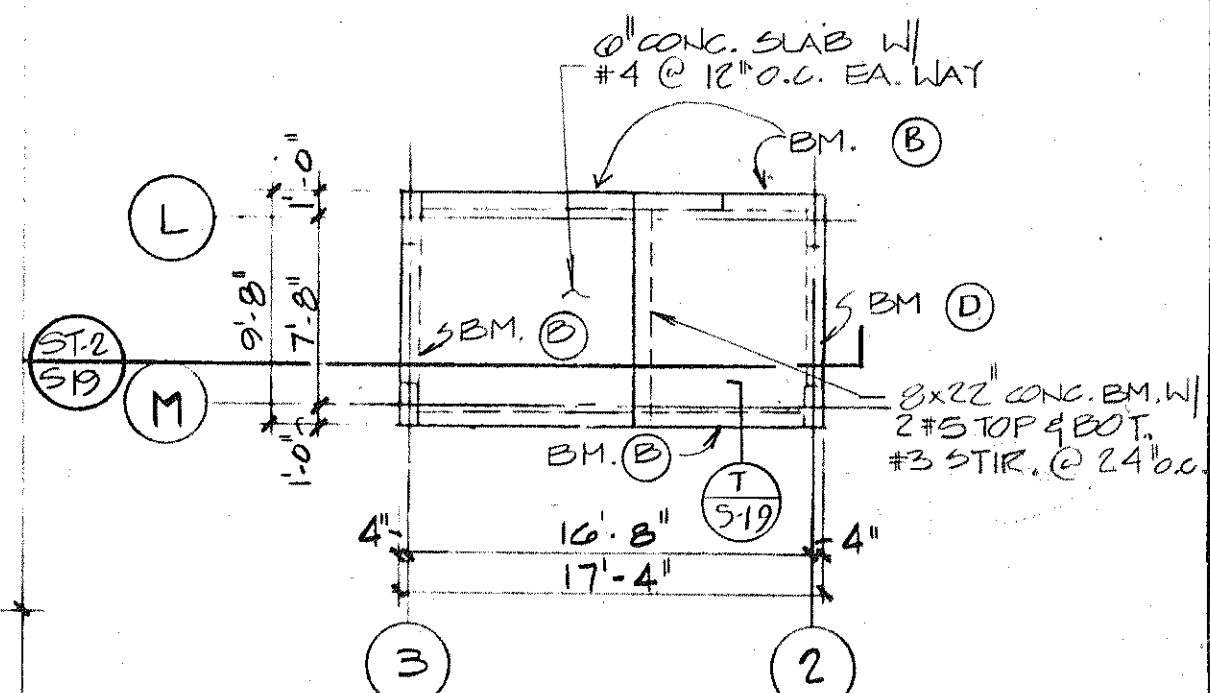
(+) ADD BARS INDICATED ARE IN ADDITION TO TYPICAL GRID

BOTTOM STEEL TO BE A CONT. GRID OF #5 @ 13" O.C. EA. WAY IN HATCHED AREA



STAIR TOWER 1
ROOF SLAB BOT. STL. PLAN

ELEVATOR ROOF PLAN



STAIR TOWER 2
ROOF SLAB - BOT. STL. PLAN

BLDG-2 ROOF BOTTOM STEEL PLAN 1/8"=1'-0"

ISSUED	12-10-02
REVISED	1-4-03
	4-1-05

SHEET
S.12