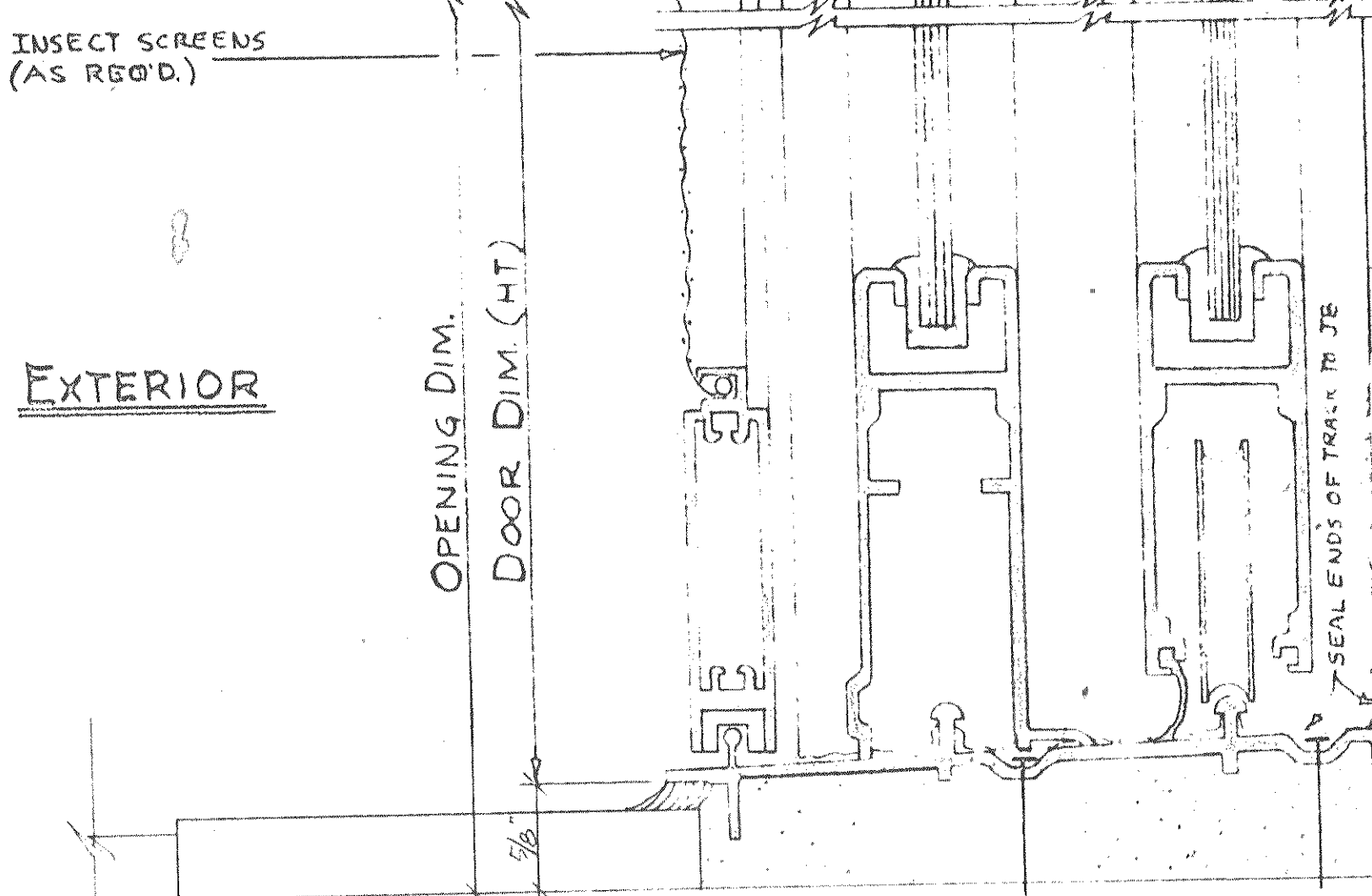
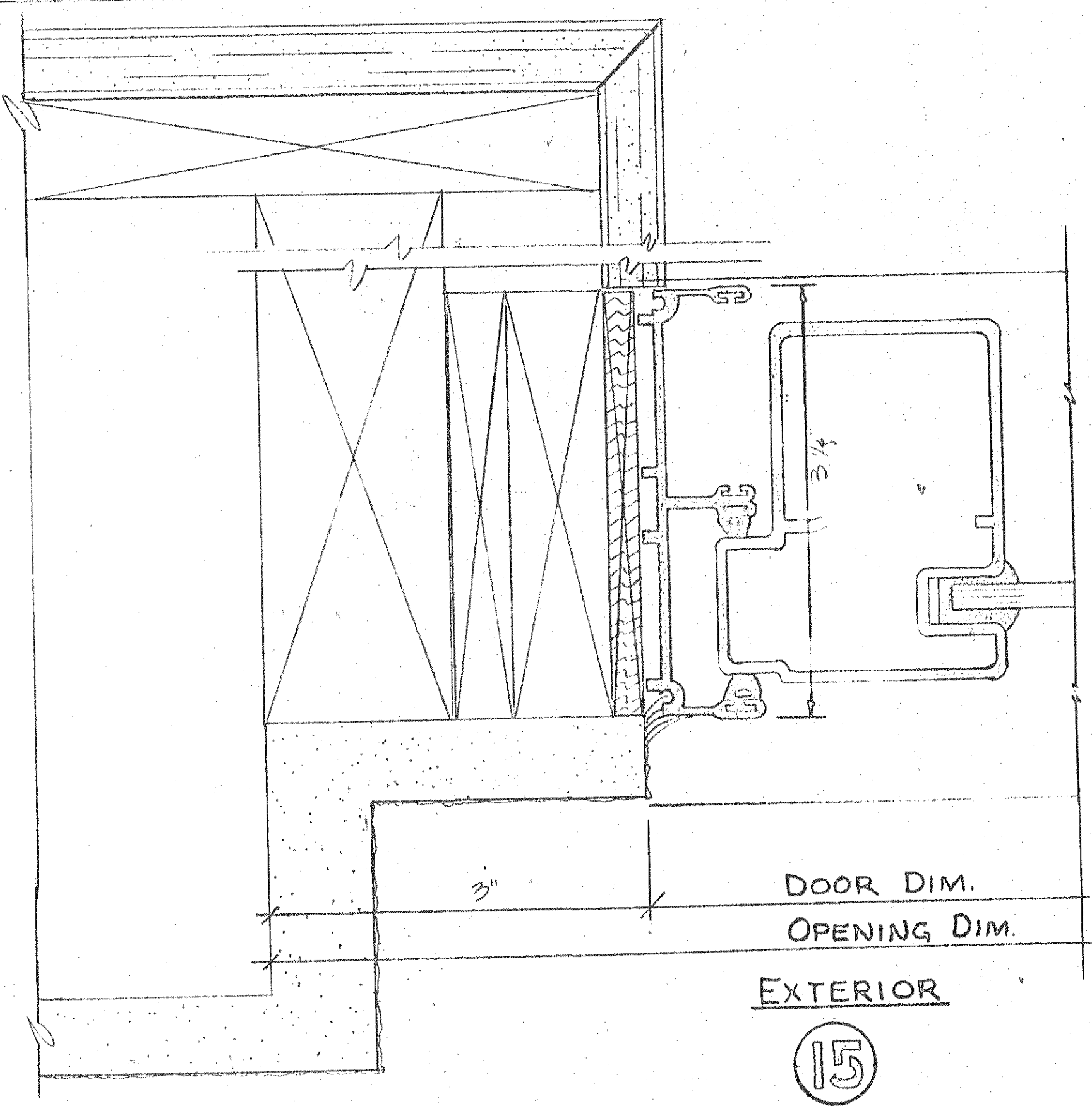


13

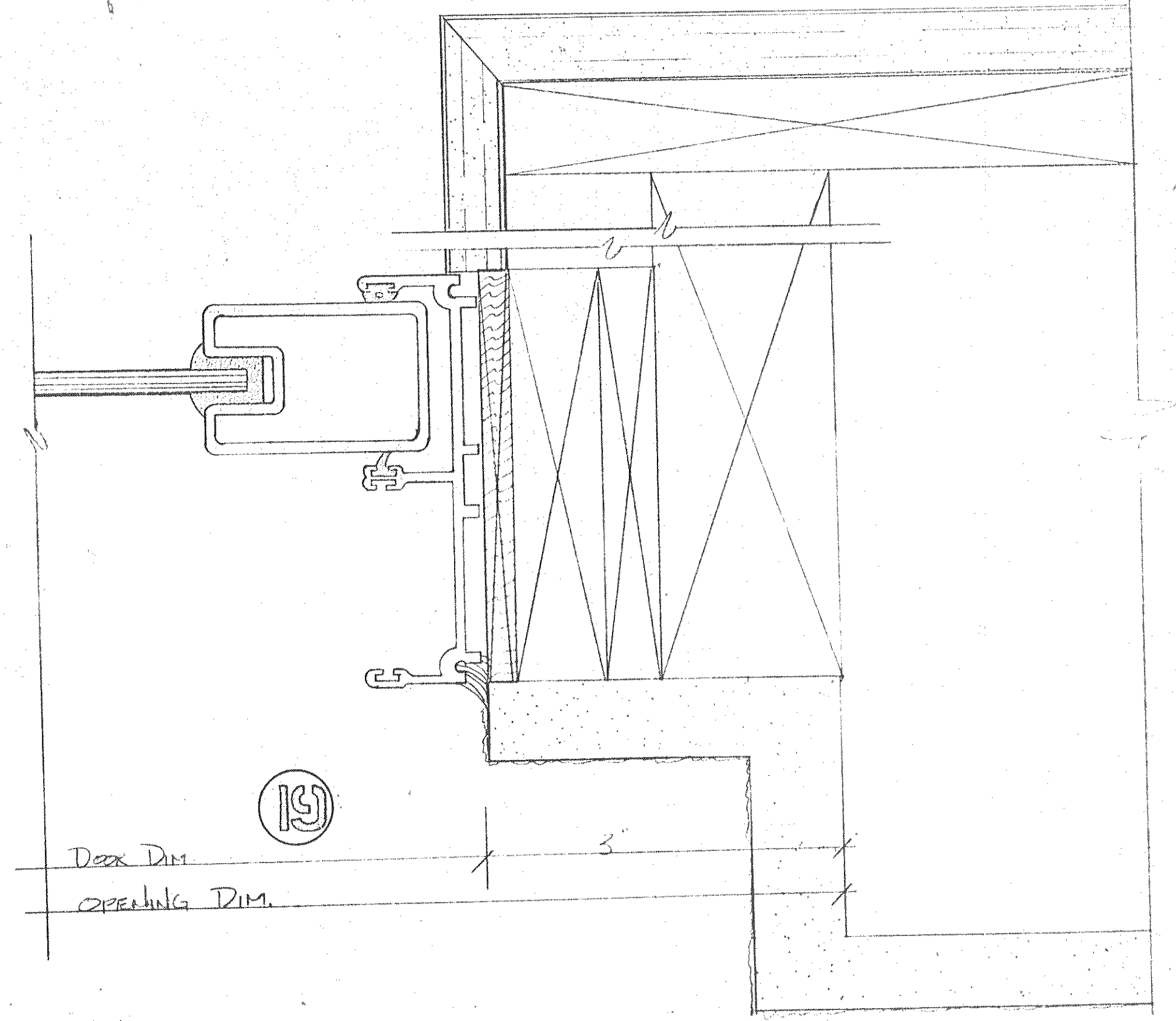
14



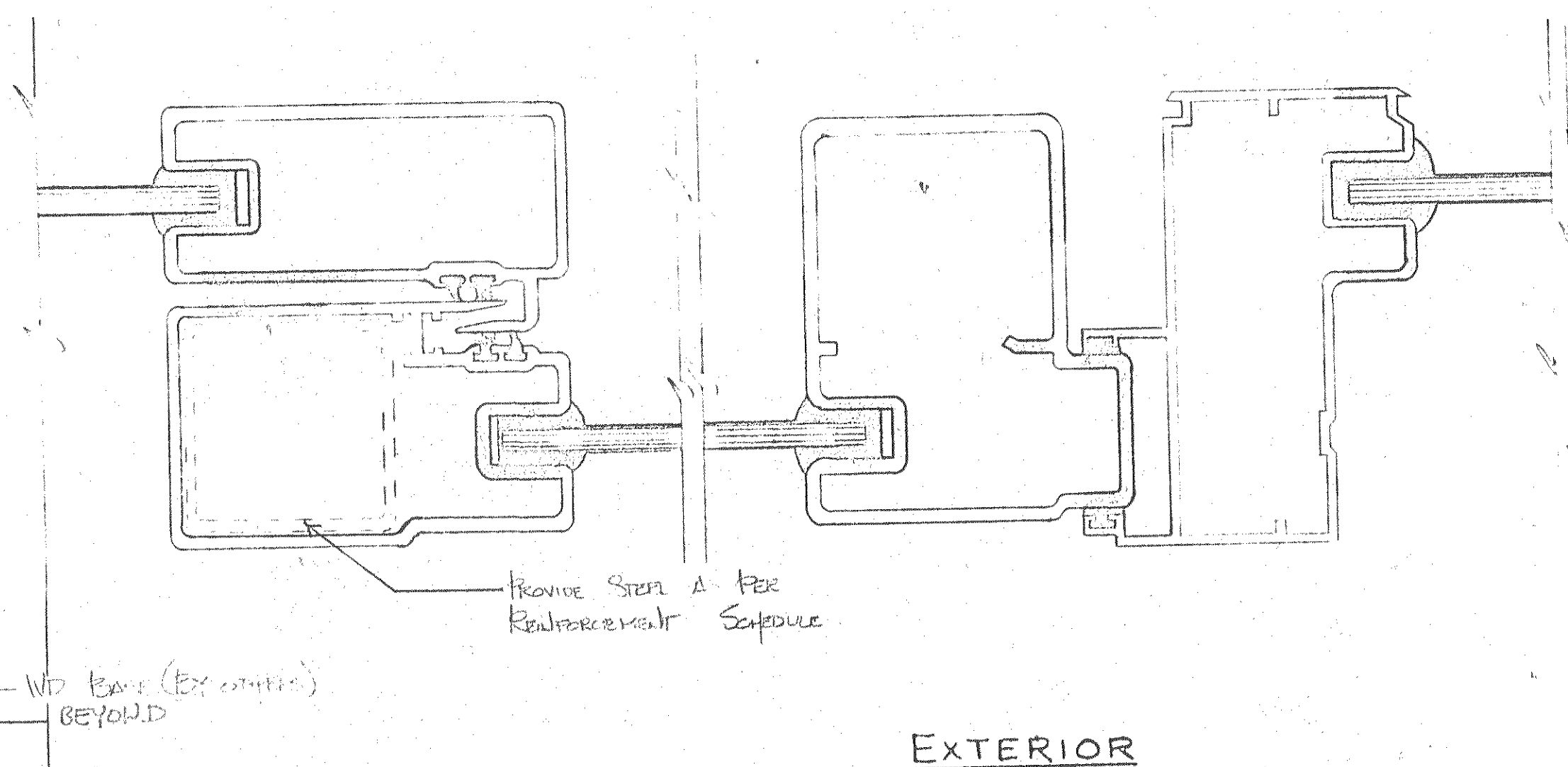
EXTERIOR



15

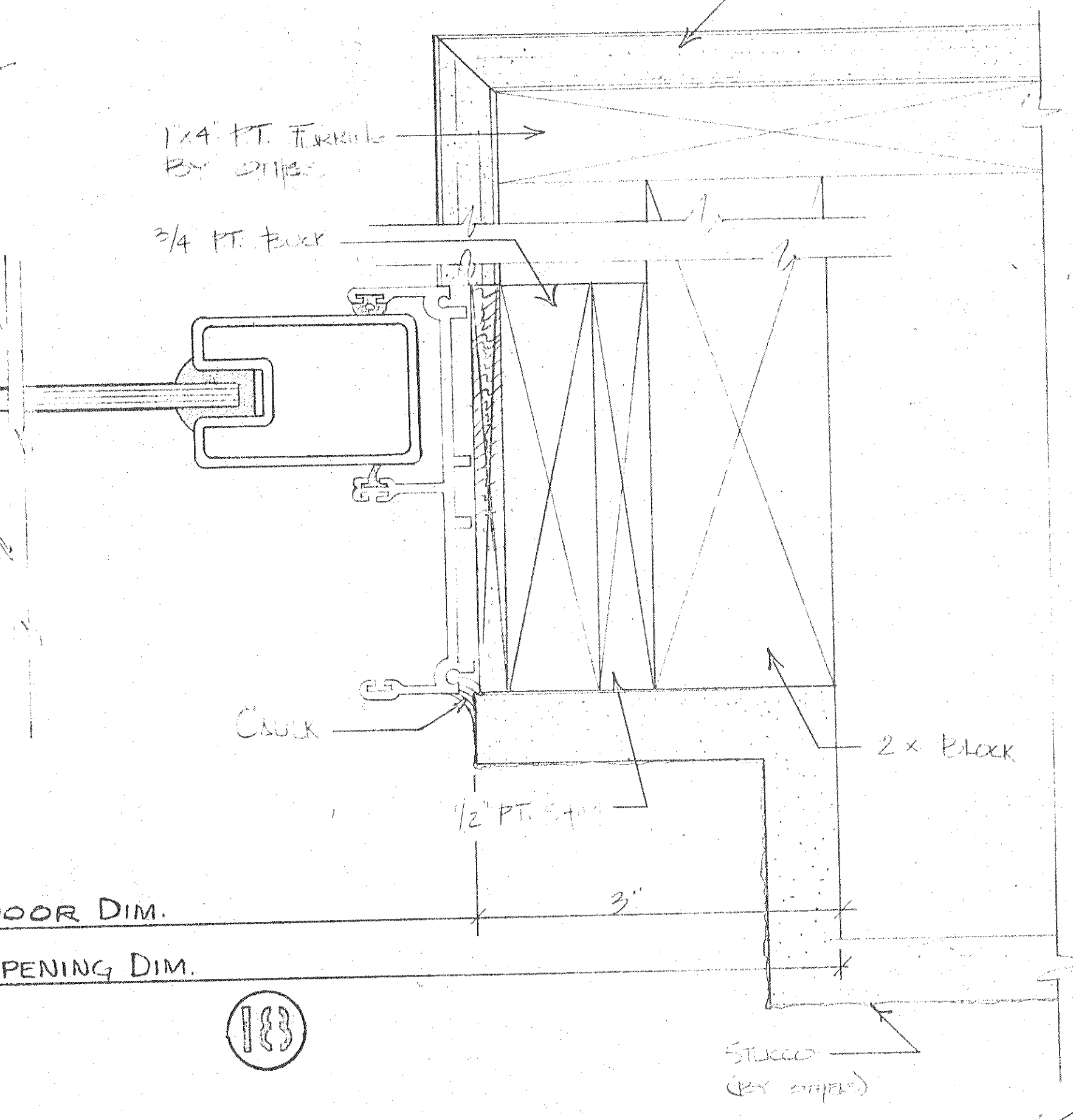


19



16

17



18

SUBMISSION		REVISION			
No.	Date	No.	Description	Date	By

L.M. Products Co.
 Project Title: **SUNSET BEACH**
LONG BOAT KEY, FLORIDA
 Contractor: _____
 Drawing Title: **S G B DETAILS**
 Scale: FULL SIZE
 Date: 12-1-83
 Sheet No: 14 of 14