

MARK A

QTY. - 35  
SERIES 165

DOUBLE OPERATOR FOR LOUVERS

MARK B

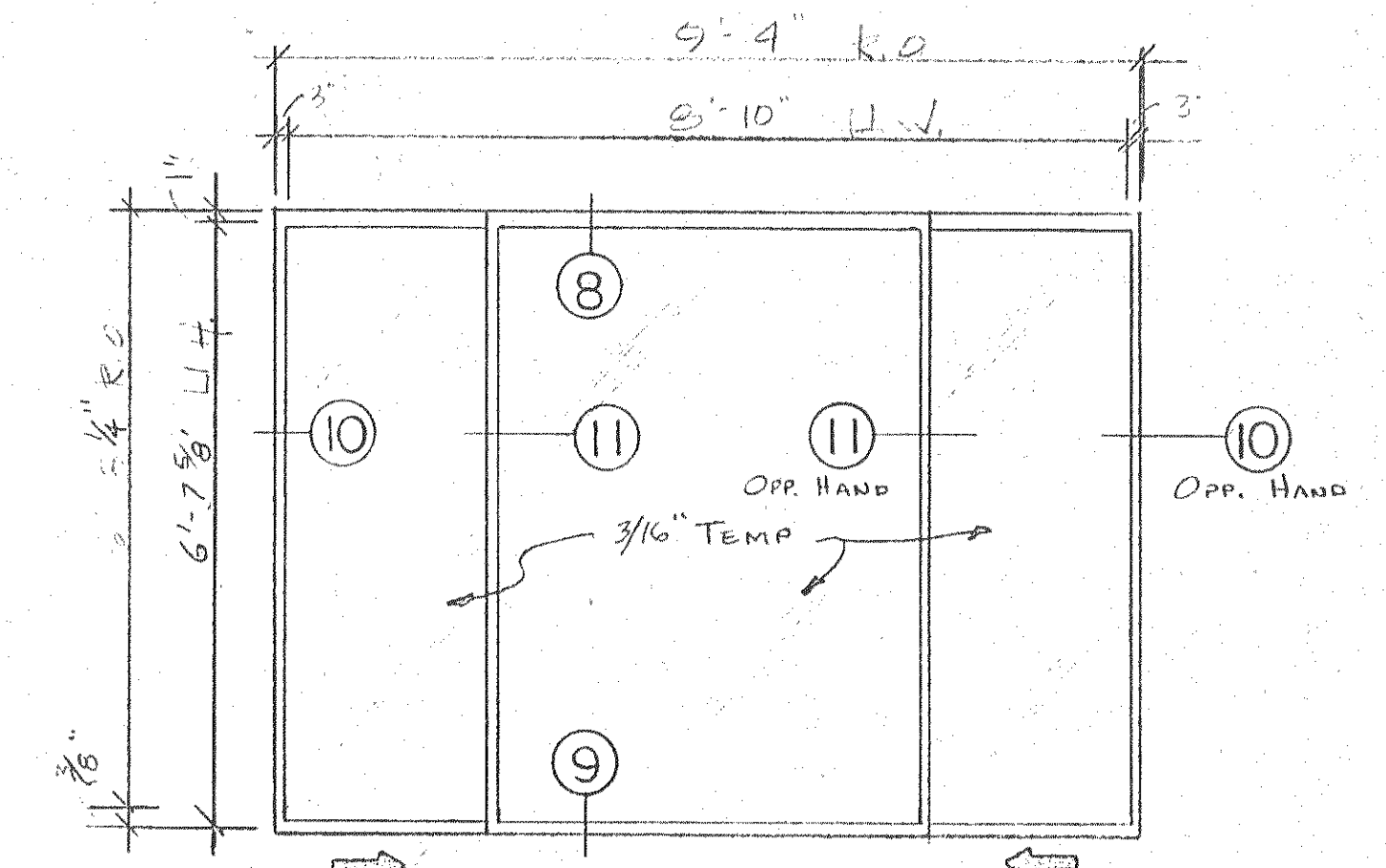
QTY. - 75  
SERIES 165

SINGLE OPERATOR FOR LOUVERS

MARK C

QTY. - 4

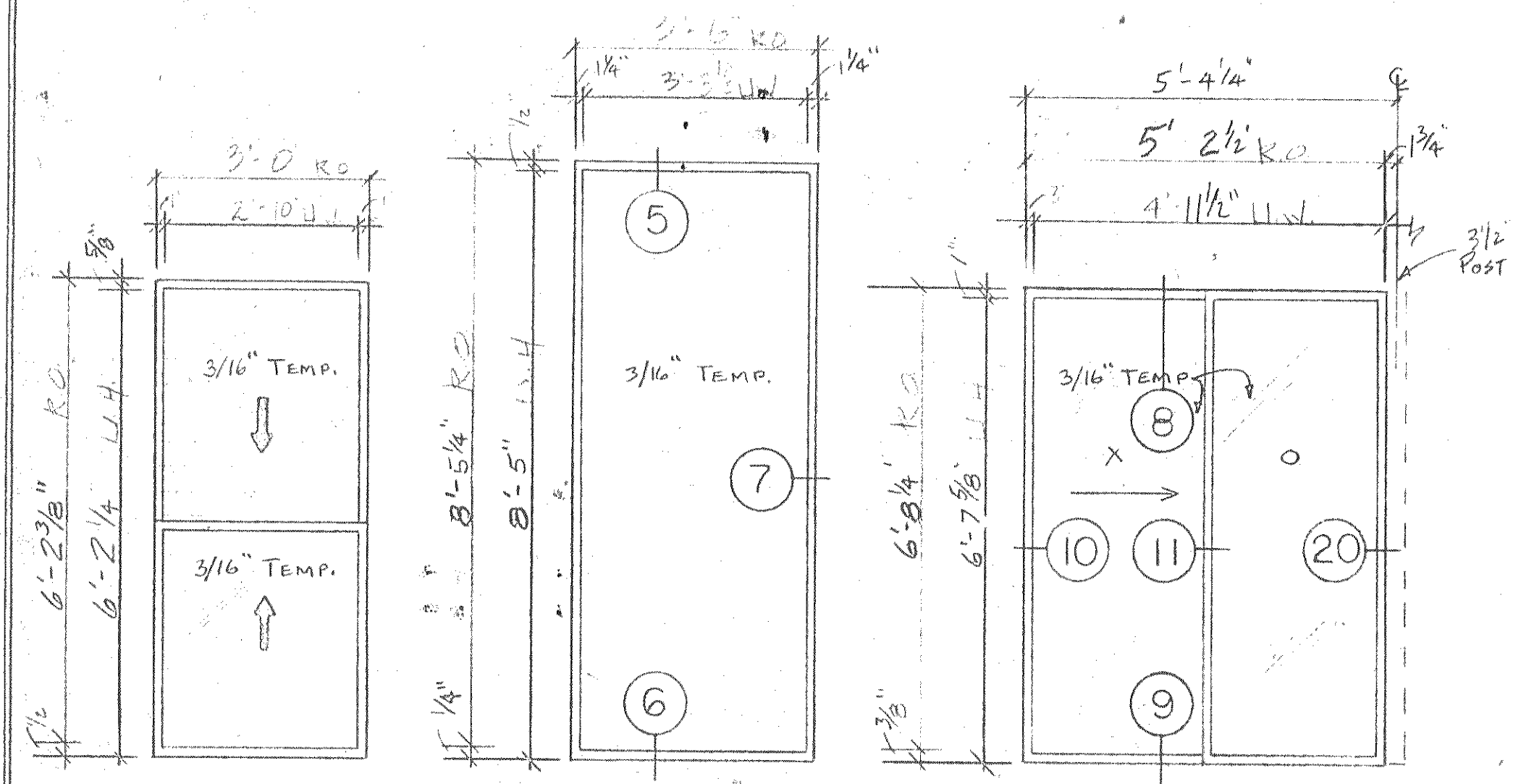
FIXED PICTURE WINDOW



MARK E

QTY. - 12  
SERIES 480

"AS BUILT DRWG"



MARK F

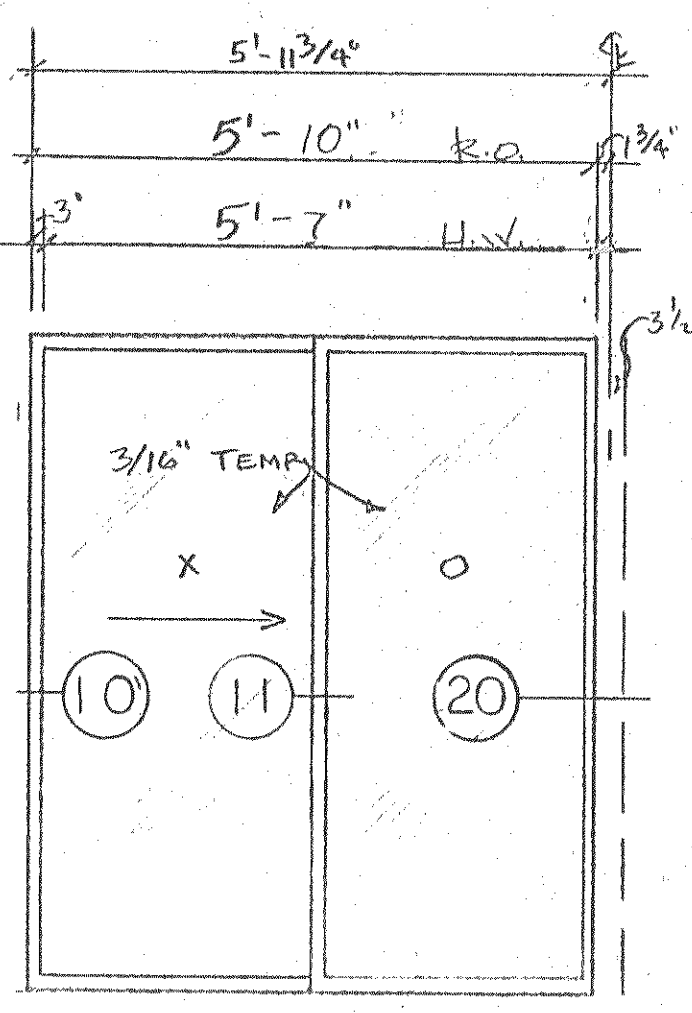
QTY. - 16  
SERIES 165  
DOUBLE OPERATOR FOR LOUVERS

MARK G

QTY. - 28  
FIXED PICTURE WINDOW

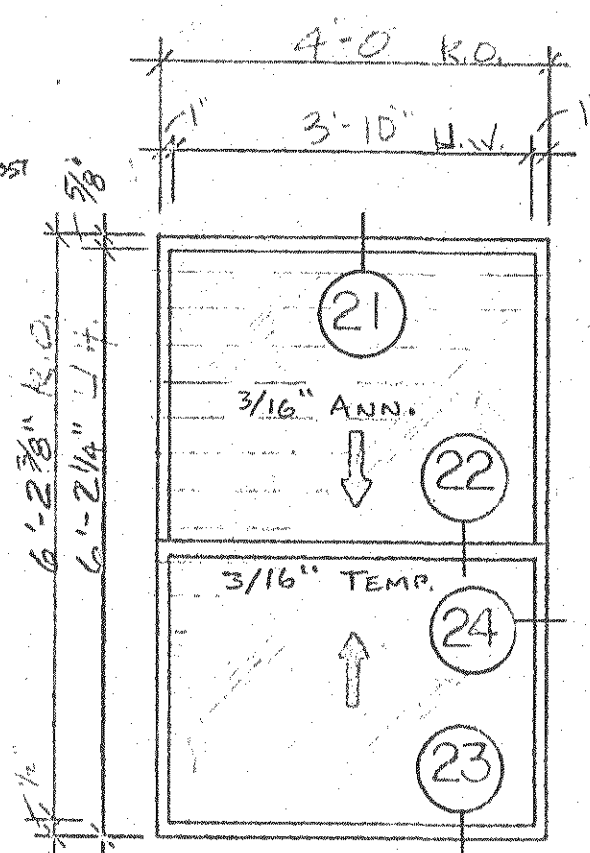
MARK H

QTY. - 16  
SERIES 480  
Ⓜ XO -  
Ⓜ RevOX -



MARK I

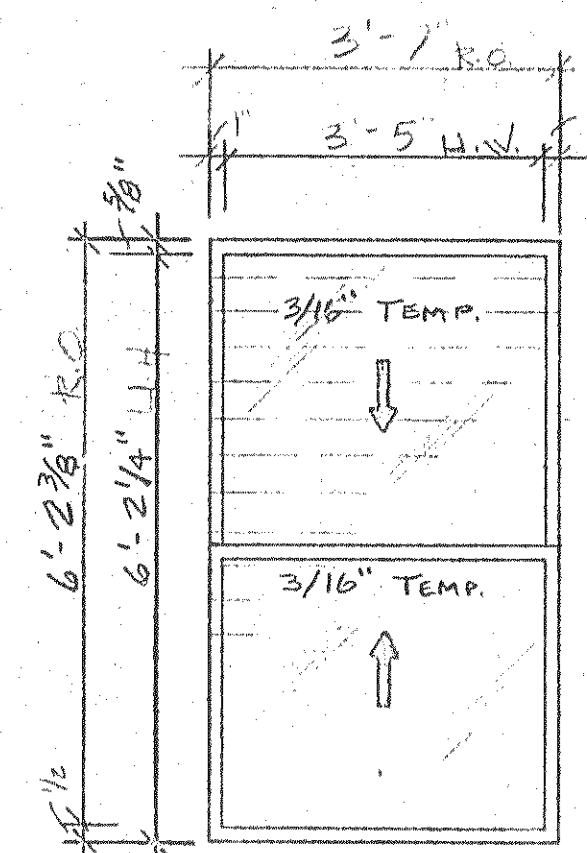
QTY. - 16  
SERIES 480  
Ⓜ XU -  
Ⓜ RevOX -



MARK J

QTY. - 4  
SERIES 165

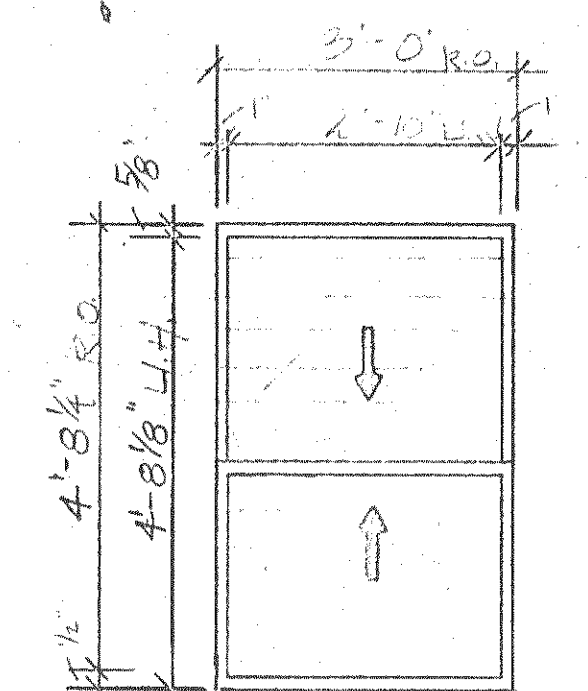
DOUBLE OPERATOR FOR LOUVERS



MARK U

QTY. - 6  
SERIES 165

DOUBLE OPERATOR FOR LOUVERS



MARK W

QUANTITIES Ⓜ 20 ANNEALED  
Ⓜ 20 TEMPERED Ⓜ BATH  
40 TOTAL

SERIES 165  
SINGLE OPERATOR FOR LOUVERS

GEN NOTES:

- SERIES 480 HORIZONTAL WINDOWS
- SERIES 165 LOUVERED DBL. HUNG WINDOW
- 3-3/8" FIXED PICTURE WINDOW

TYPICAL FINISH - MEDIUM BRONZE  
3/16 ANNEALED OR TEMPERED GLASS  
SOLAR GREY AS NOTED  
Screens 16/18 FIBERGLAS

NOTE:  
SEE SHEET II FOR HANDICAPPED WINDOW ELEVATIONS.

SUBMISSION		REVISION			
No. / Date		No.	Description	Date	By
		1	PER ARCHITECTS COMMENTS	11/18/93	VB
		2	PER ARCHITECTS COMMENTS	11/24/93	VB
		3	PER ARCHITECTS COMMENTS	11/24/93	VB
		4	UP DATE PER ARCH.	2/10/94	RC

T.M. Products Co.  
601 NW 12th Avenue • Pompano Beach, Florida 33062  
POMPAHO (305) 781-4430 • DATE (305) 949-3128 • PALM BEACH (305) 737-4466

Project Title: SUNSET BEACH  
OF LONG BOAT KEY, FLORIDA

Contractor: \_\_\_\_\_ Project No.: \_\_\_\_\_

Drawing Title: WINDOW ELEVATIONS  
TOTALS BUILDINGS 1-2-2

Scale: \_\_\_\_\_ Drawn By: \_\_\_\_\_ Date: \_\_\_\_\_ Chkd By: \_\_\_\_\_ Date: \_\_\_\_\_ Sheet No.: 13 OF 15