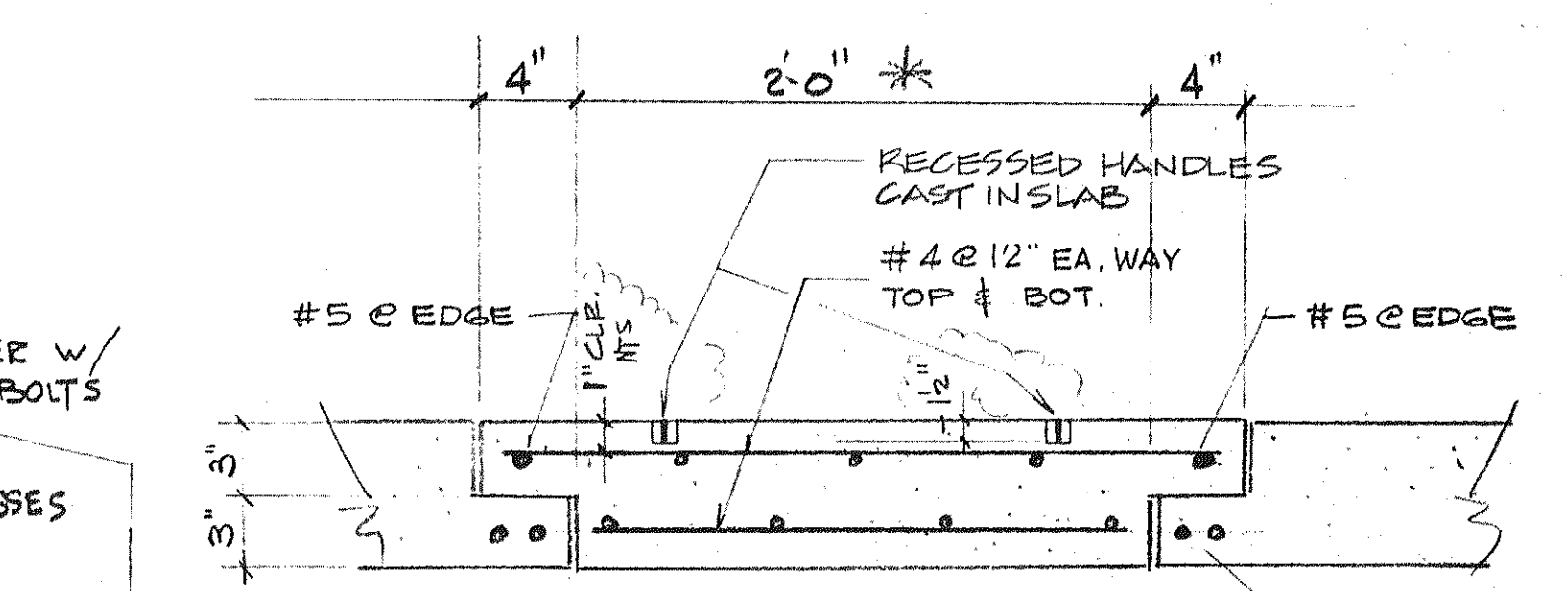
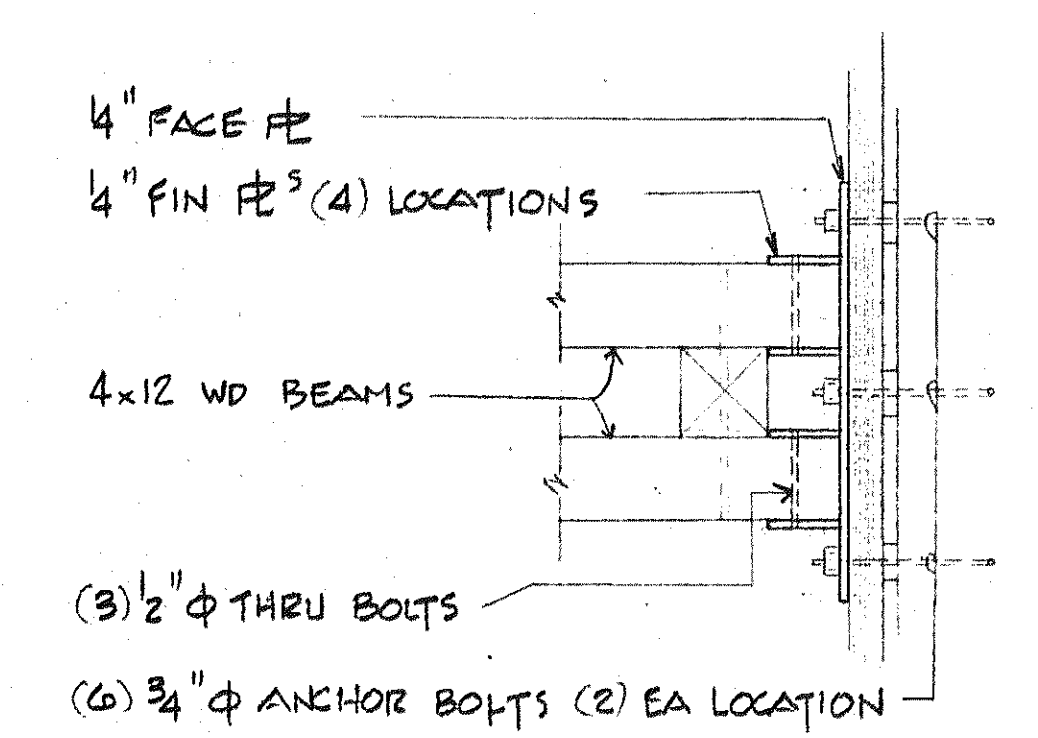


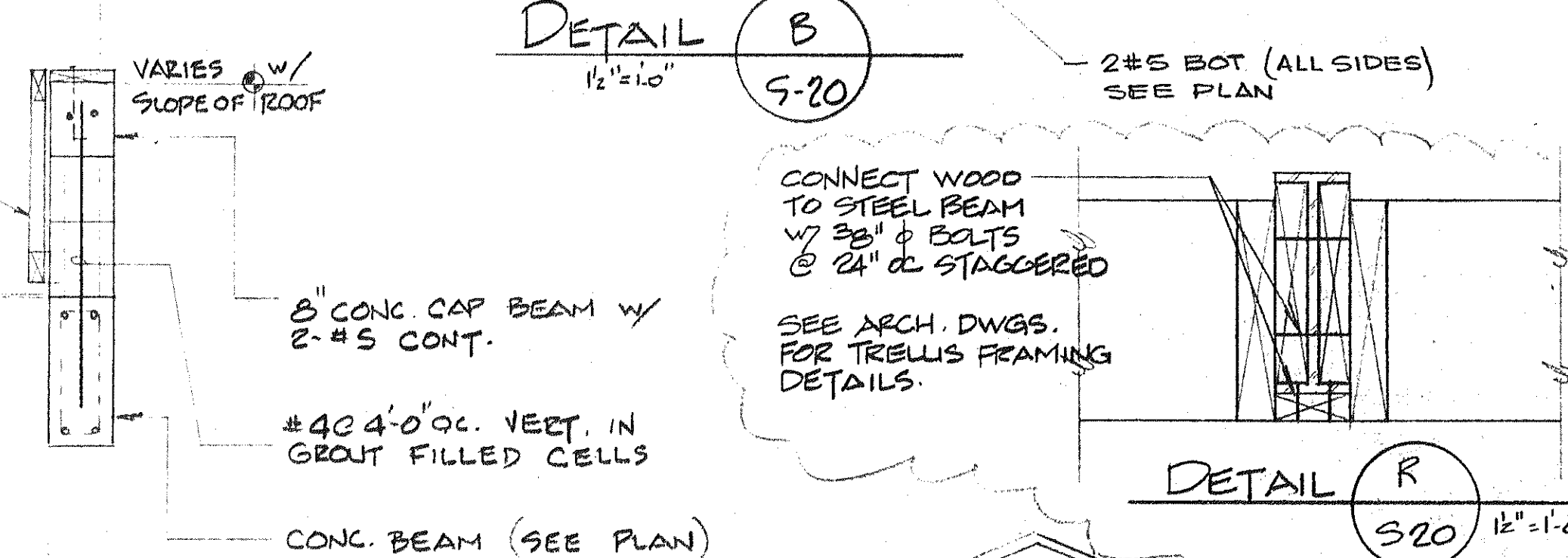
SECTION E CONTINUED
S-20



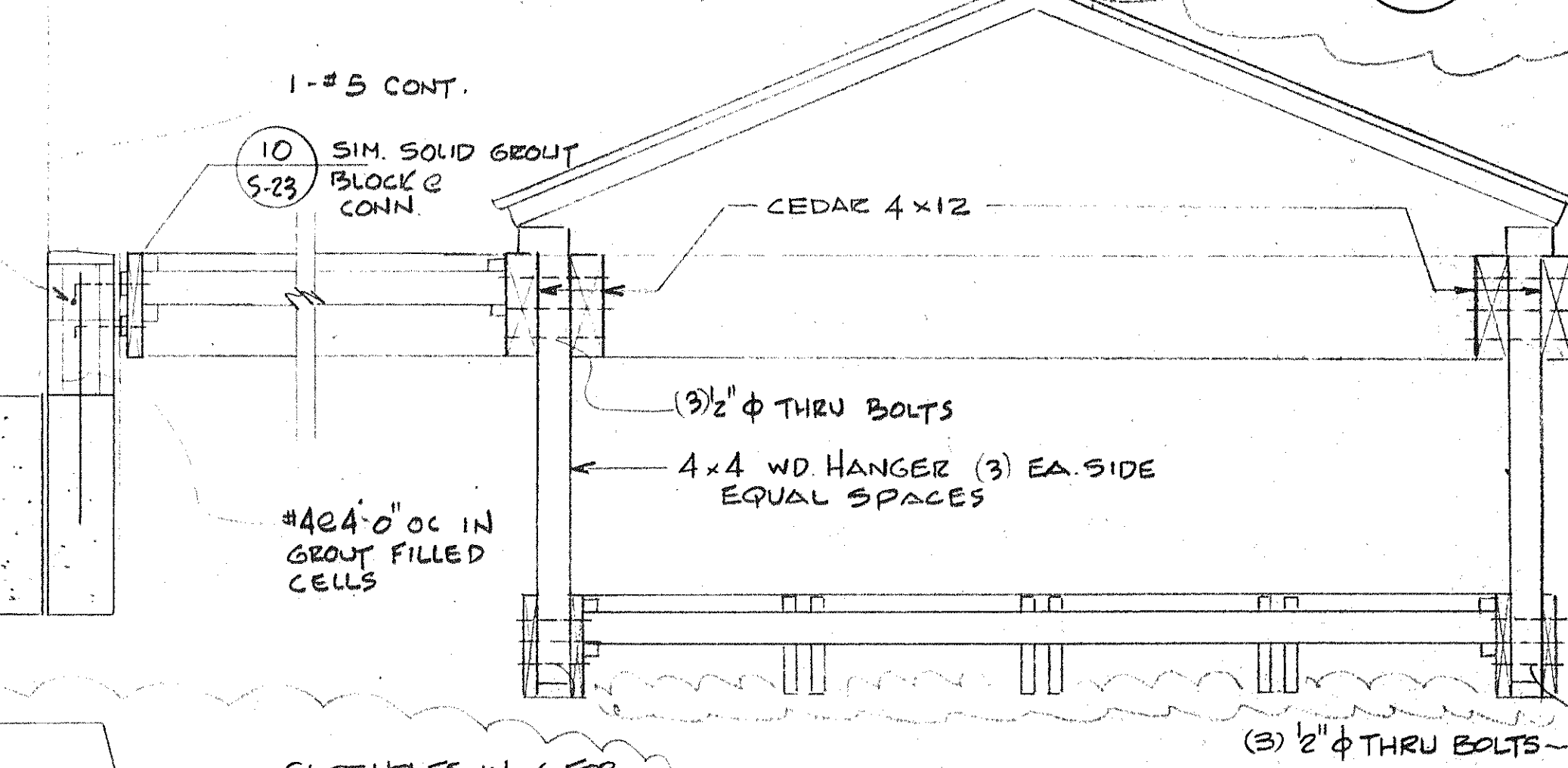
DETAIL B
S-20



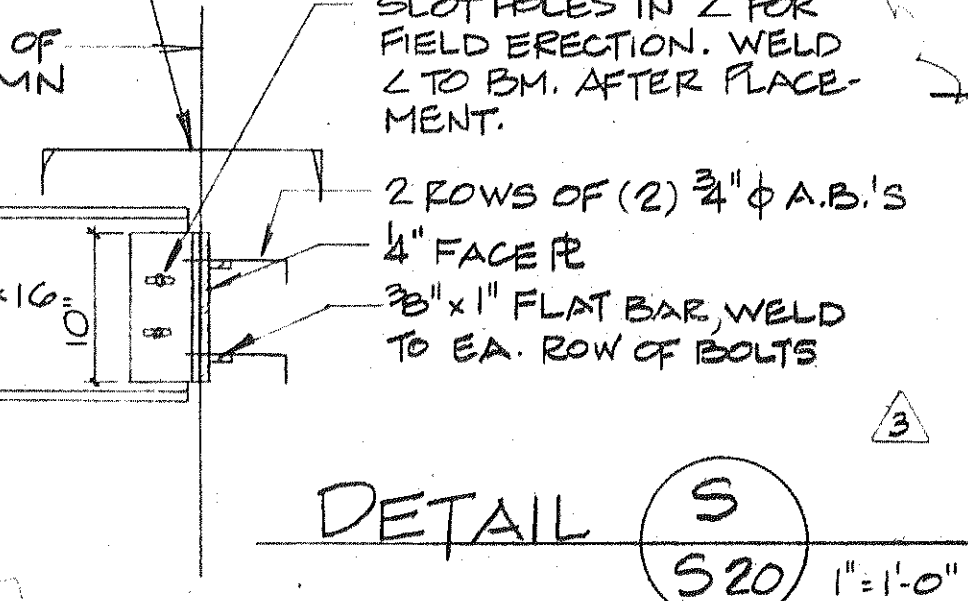
DETAIL Y
S-20



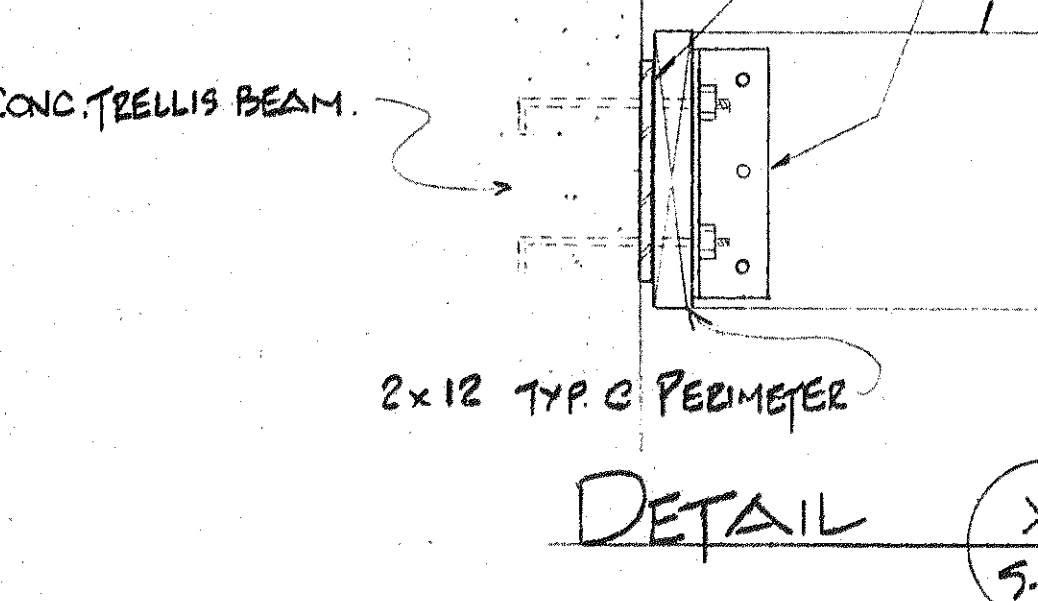
DETAIL R
S-20



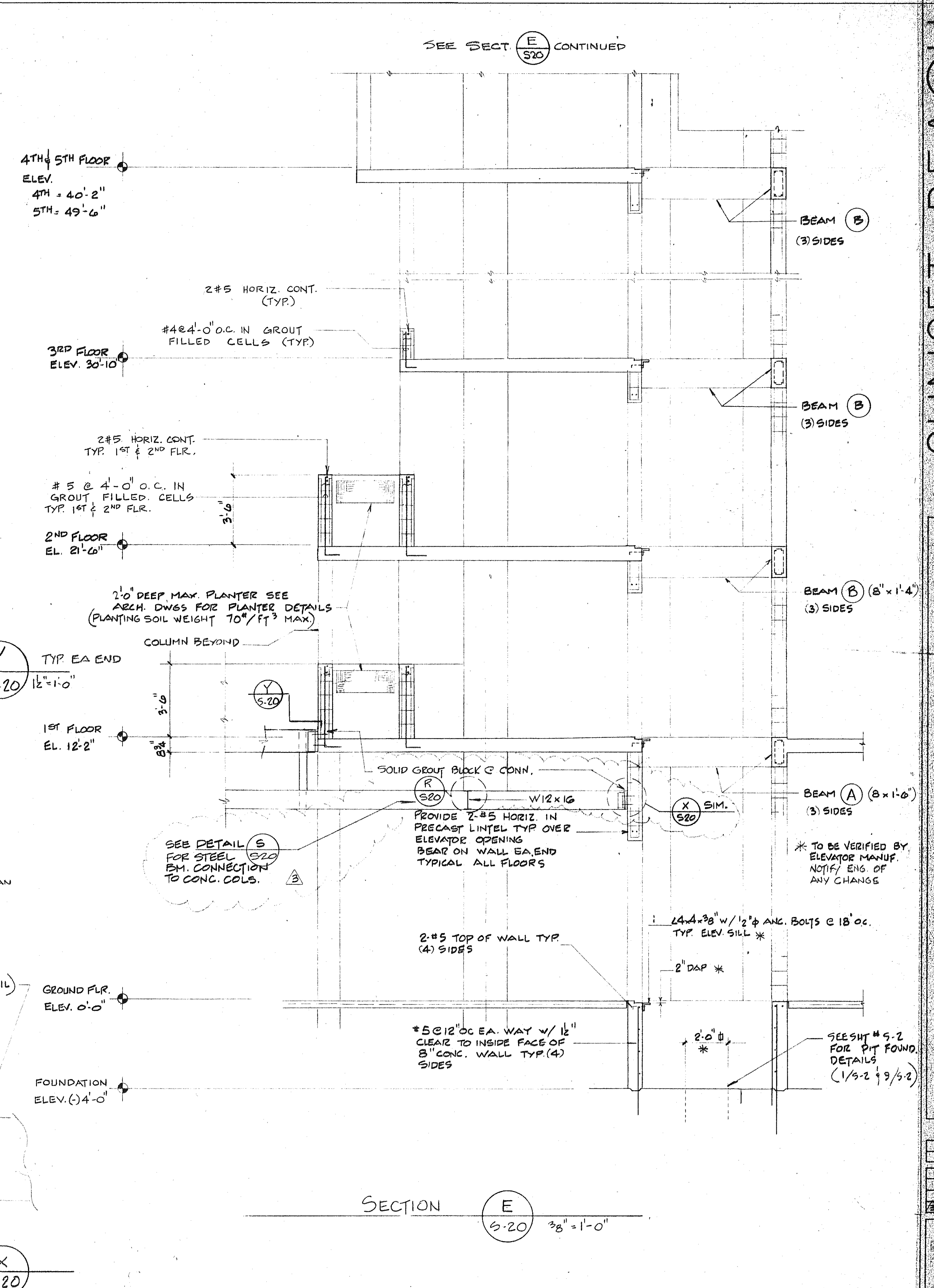
SECTION T
S-20



DETAIL S
S-20



DETAIL X
S-20



SECTION E
S-20

* TO BE VERIFIED BY ELEVATOR MANUF. NOTIFY ENG. OF ANY CHANGE

SEE SHEET # S-2 FOR PIT FOUND. DETAILS (1/3-2 & 9/3-2)