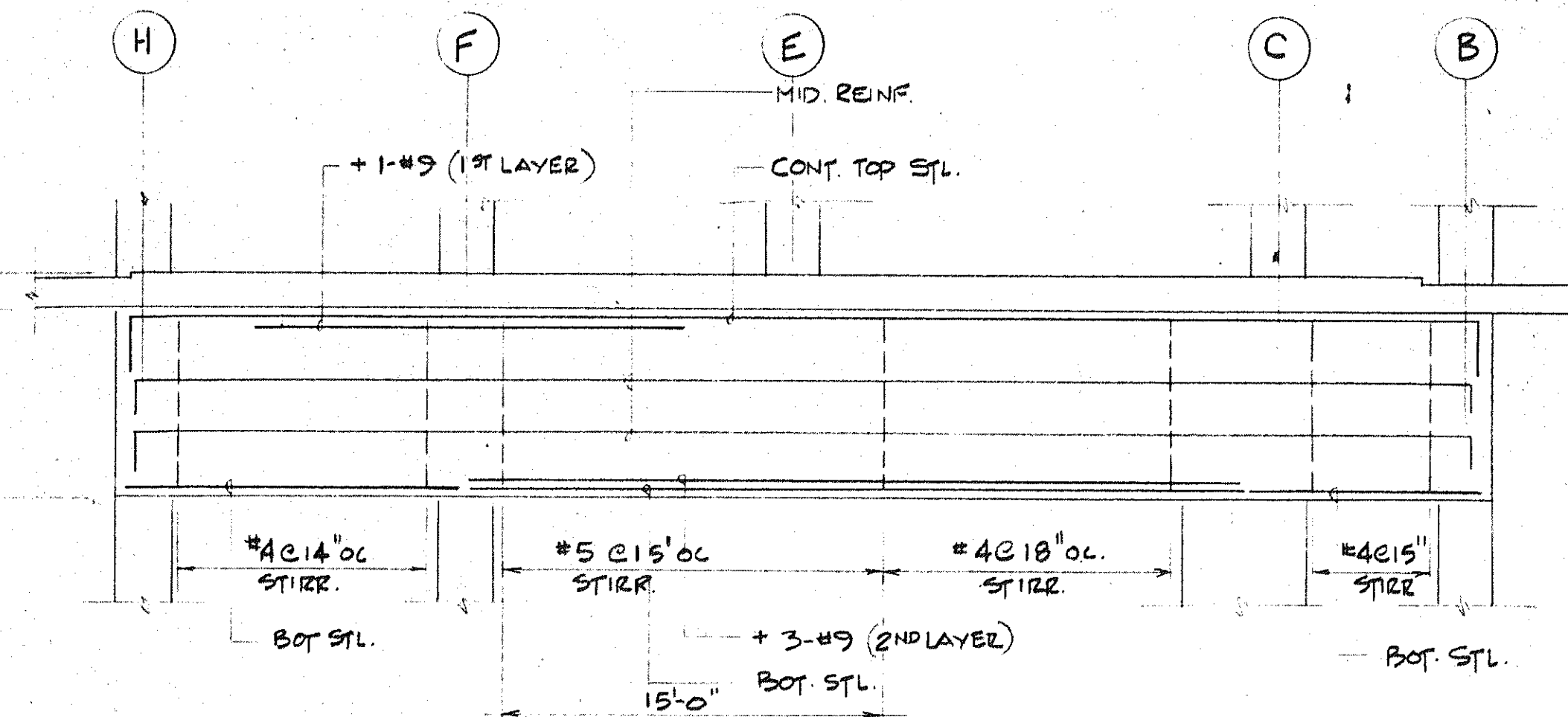
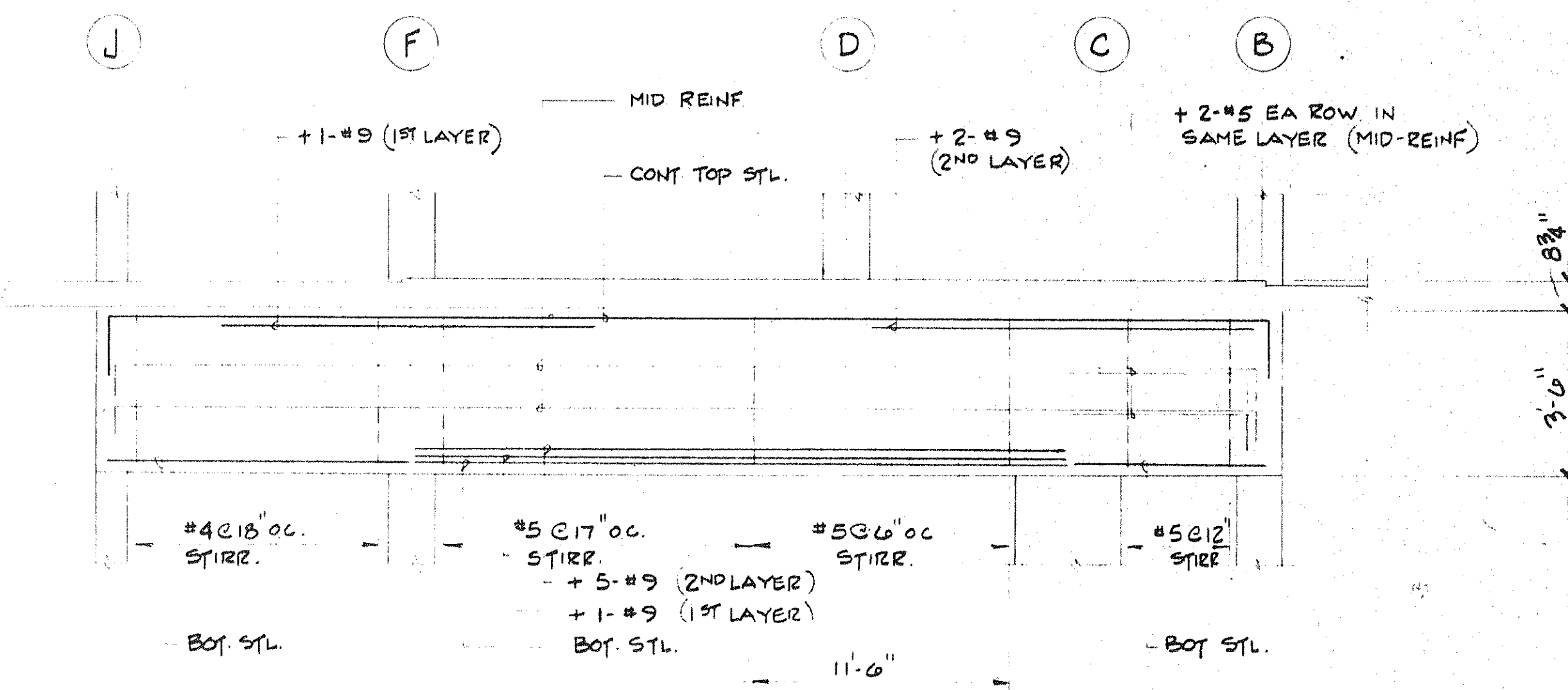


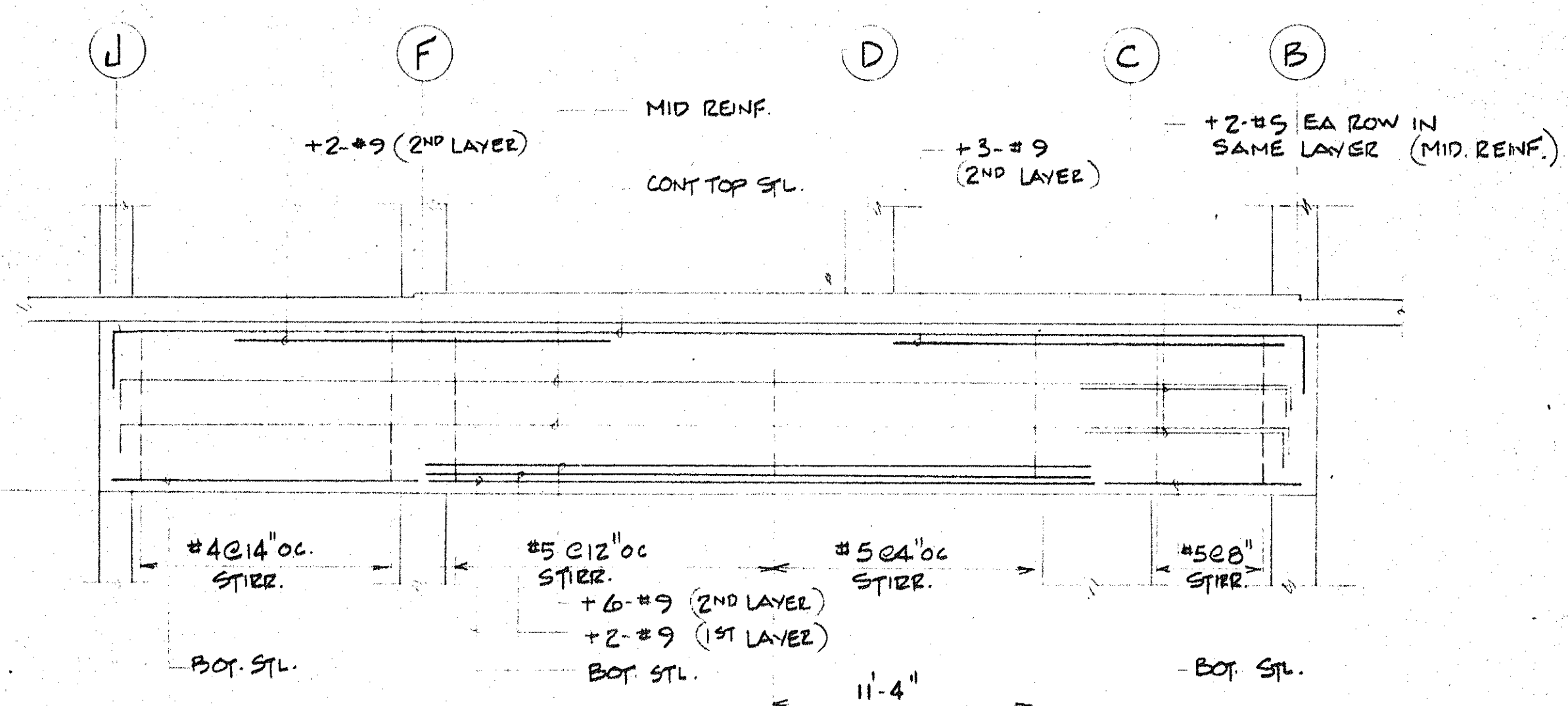
BEAM ② & ⑬ DETAIL



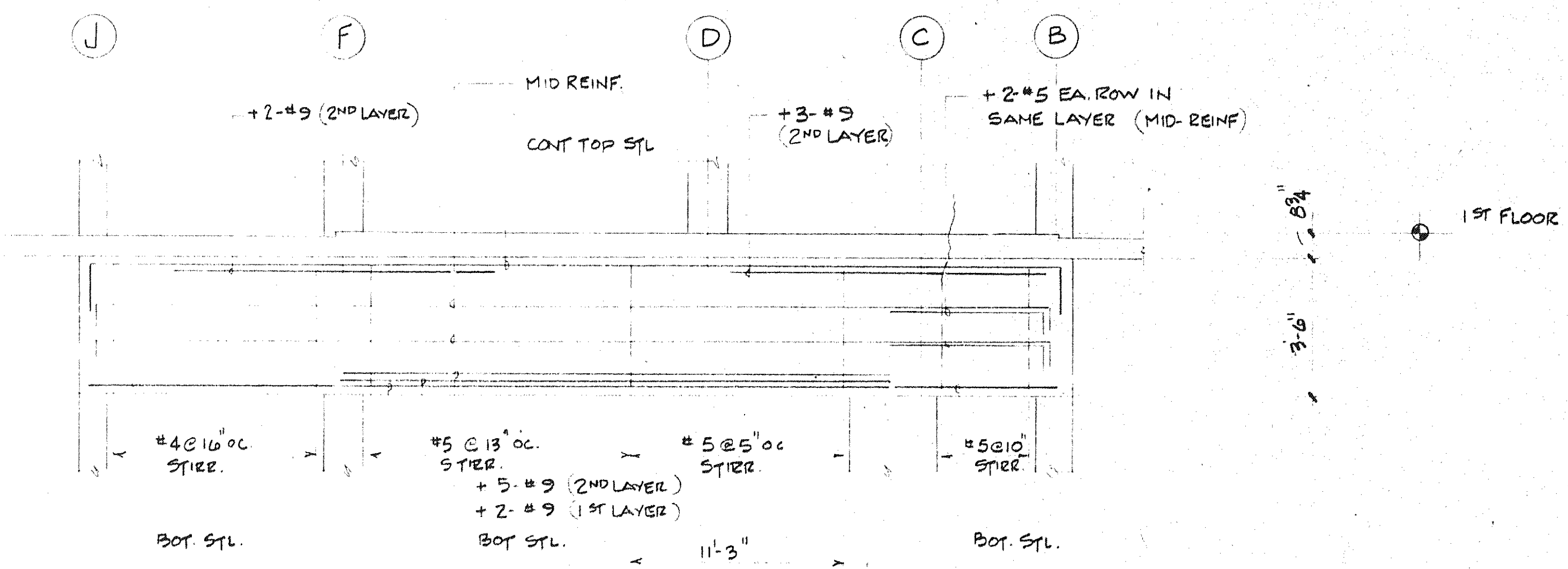
BEAM ⑰ DETAIL



BEAM ④ DETAIL



BEAM ⑥ DETAIL



BEAM ⑩ DETAIL

NOTE: SEE SH# S-17 FOR TYPICAL BEAM DETAILS FOR PLACEMENT OF REINF. SHOWN AND BEAM SCHEDULE FOR MAIN REINF. STEEL

NOTE: BEAM NUMBER REFERS TO GRID LINE ON WHICH BEAM OCCURS