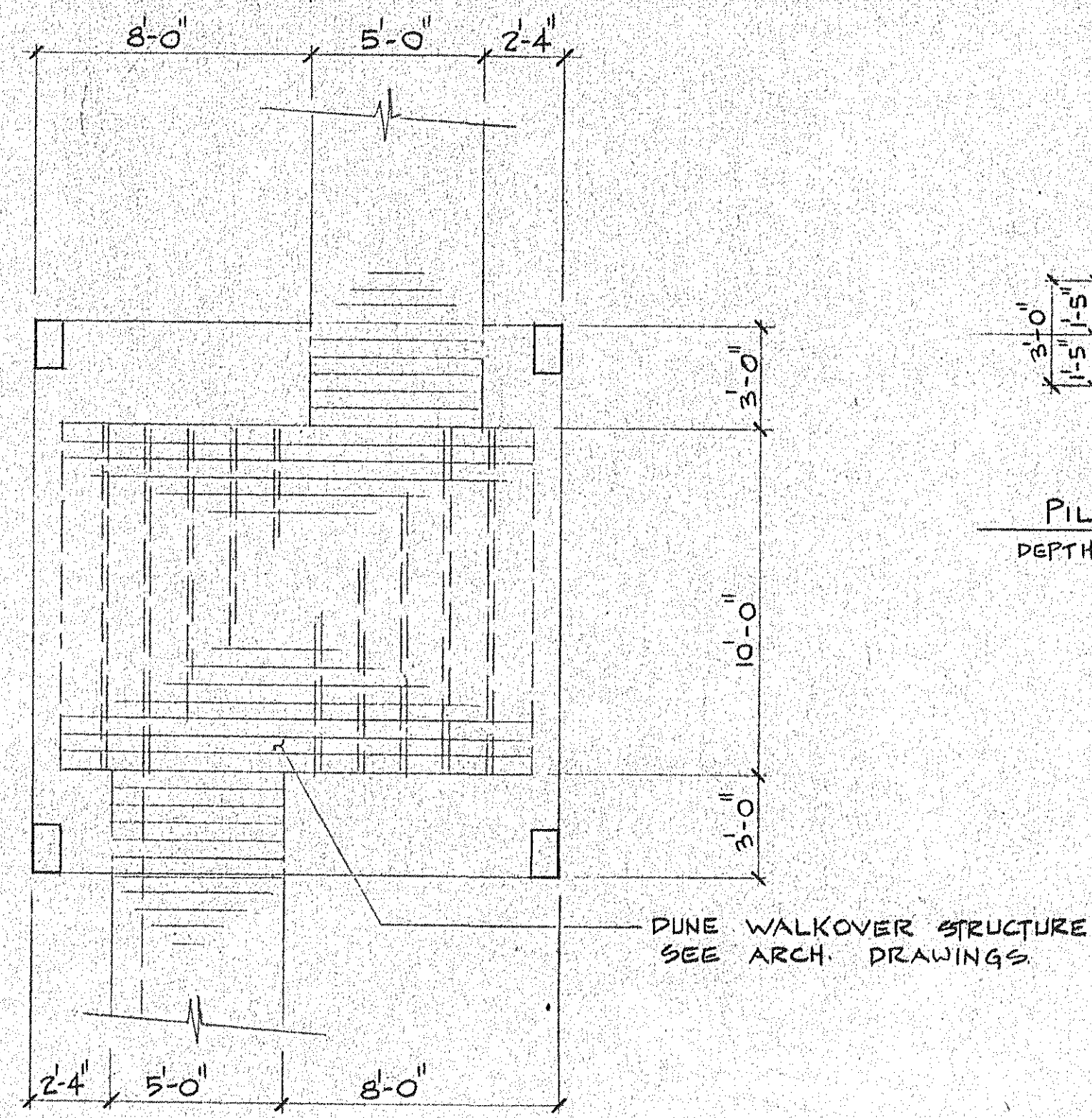
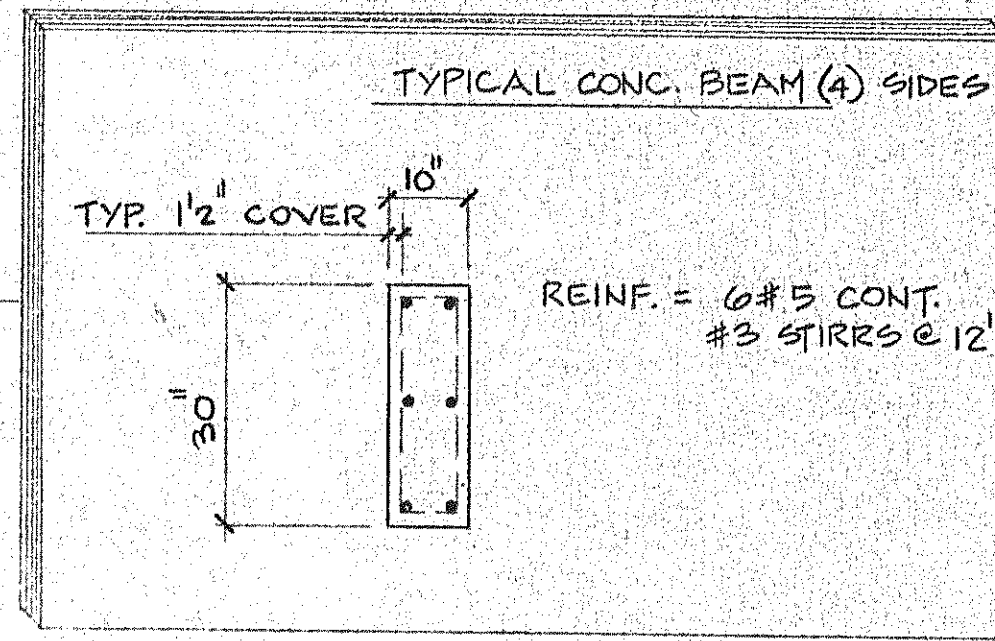
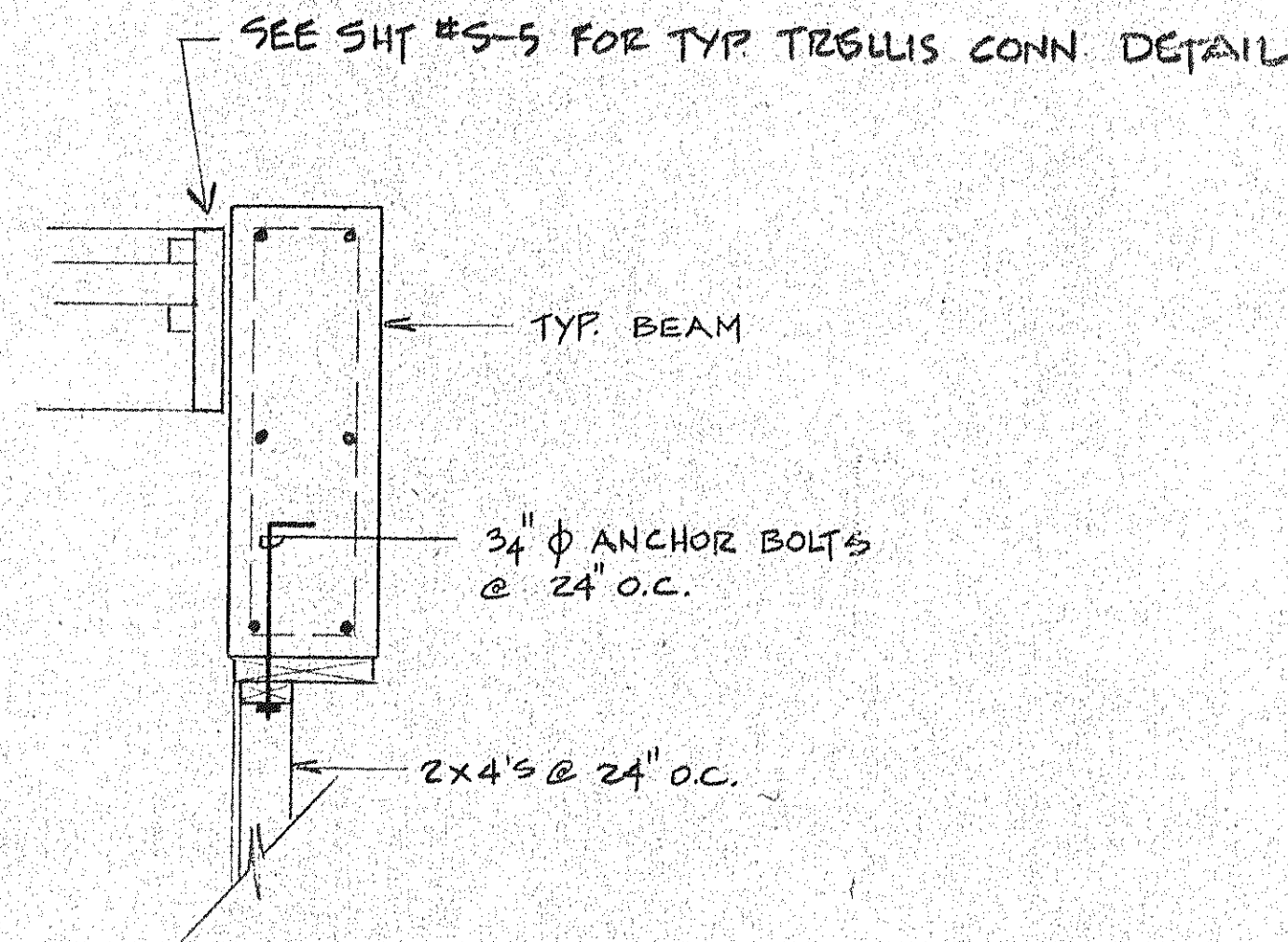


PAVILION ROOF FRAMING PLAN  
1/4" = 1'-0"

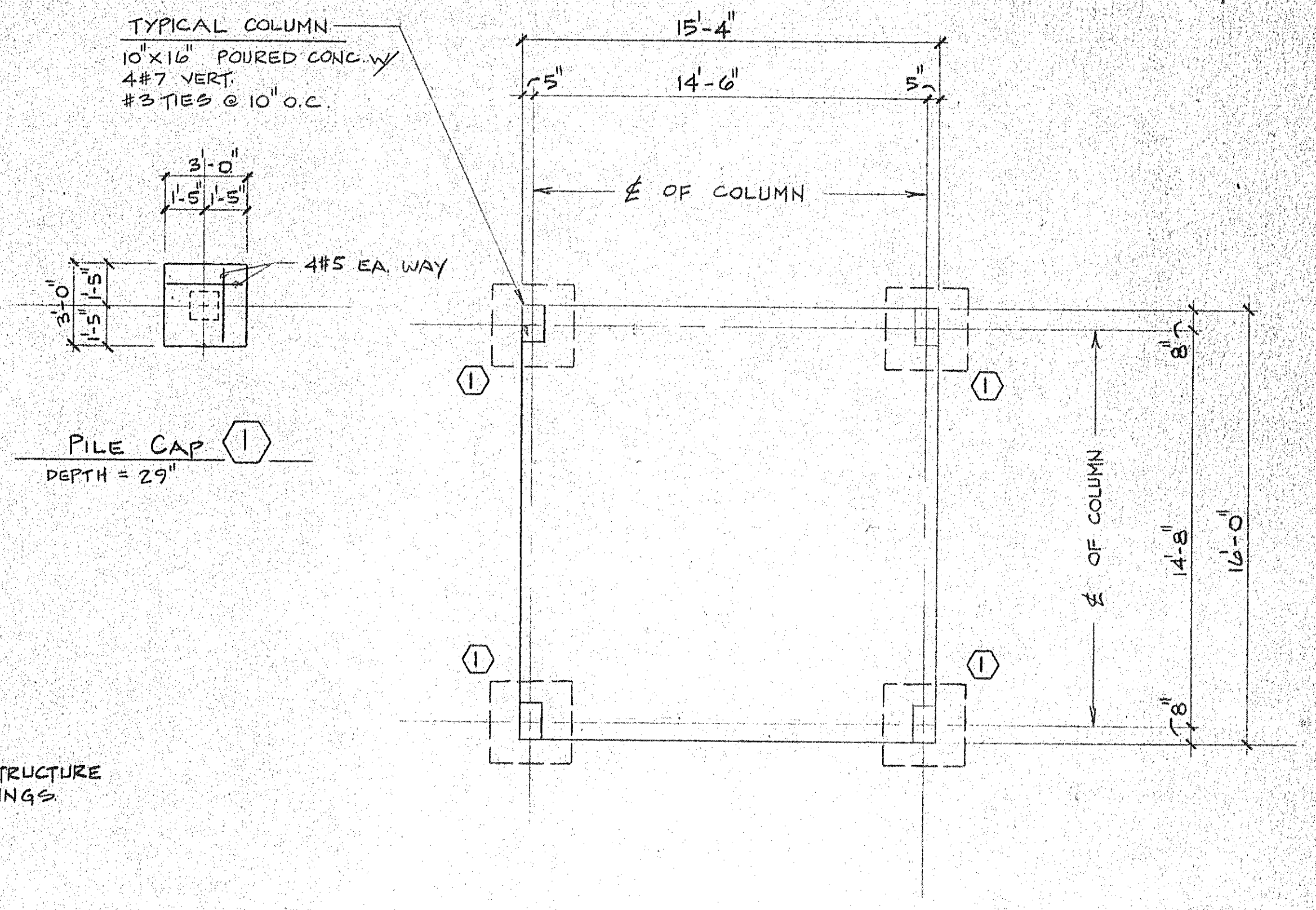
- FRAMING NOTES:
- 1) LUMBER = WESTERN CEDAR
  - 2) FIBER BENDING STRESS = 800 P.S.I.
  - 3) MODULUS OF ELASTICITY = 1000 K.S.I.



PAVILION DECK FRAMING PLAN  
1/4" = 1'-0"



SECTION I  
1/2" = 1'-0" 56



PAVILION FOUNDATION PLAN  
1/4" = 1'-0"

- FOUNDATION NOTES:
- 1) CONC STRENGTH = 3000 P.S.I.
  - 2) REBAR GRADE = A615-60
  - 3) PILE TYPE = 12" □ PRESTRESSED PRECAST 12'-0" LONG
  - 4) CONC. COVER = 2" AT FORMED EDGES 3" ELSEWHERE

PAVILION FOUNDATION & FRAMING PLAN  
 SUNSET BEACH SOFT LONG BOAT KEY  
 BRUNNAN BUSBY ASSOCIATES CONSULTING ENGINEERS  
 THE SWA GROUP ARCHITECTS PLANNERS  
 EDWARD J. REBERT, P.E. ARCHITECT  
 BRUNNAN BUSBY ASSOCIATES CONSULTING ENGINEERS  
 BRUNNAN BUSBY ASSOCIATES CONSULTING ENGINEERS & SURVEYORS  
 199 DEC 12 20 82  
 REVISED 1-A-83  
 SHEET 56 OF 82161