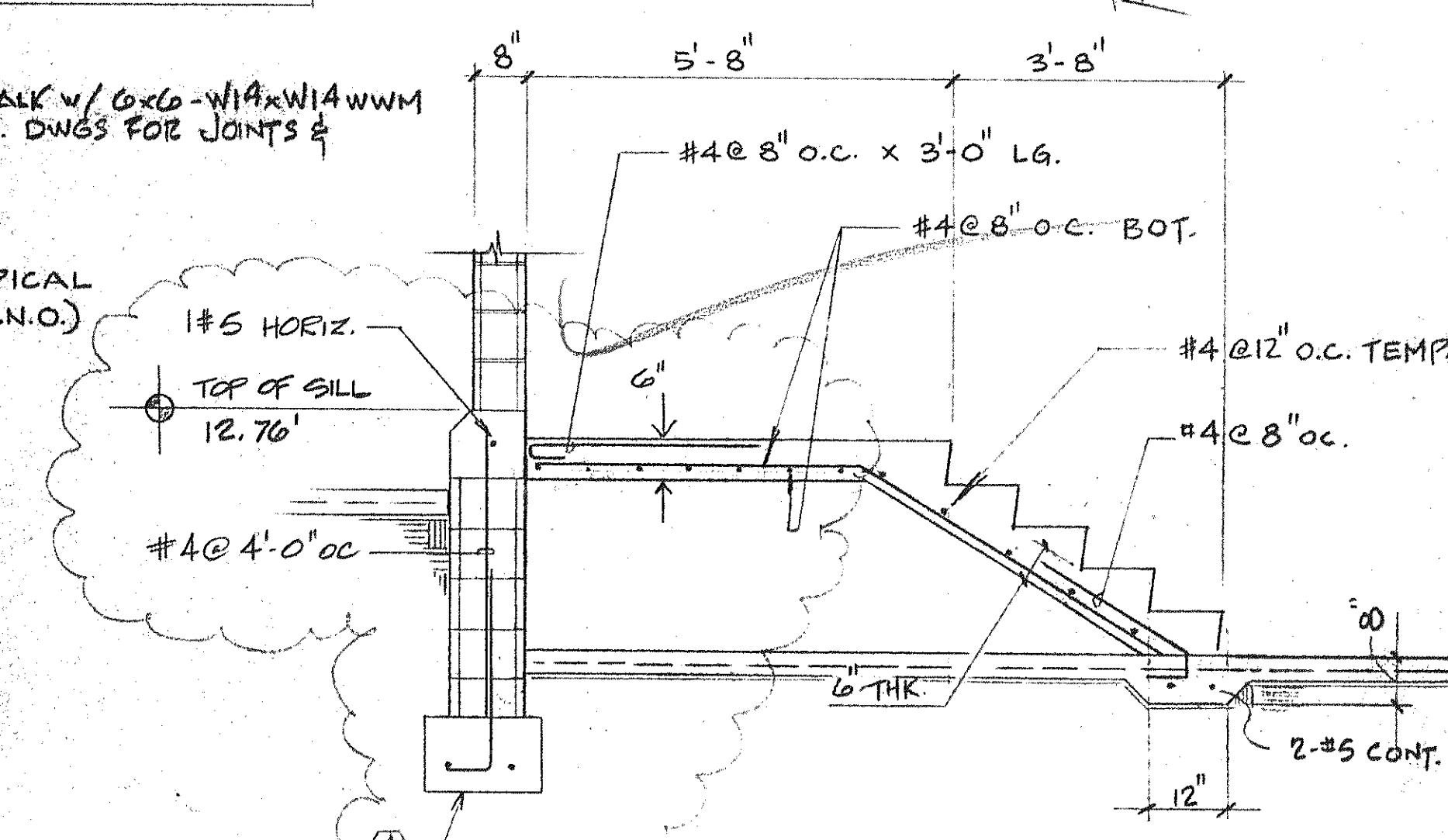
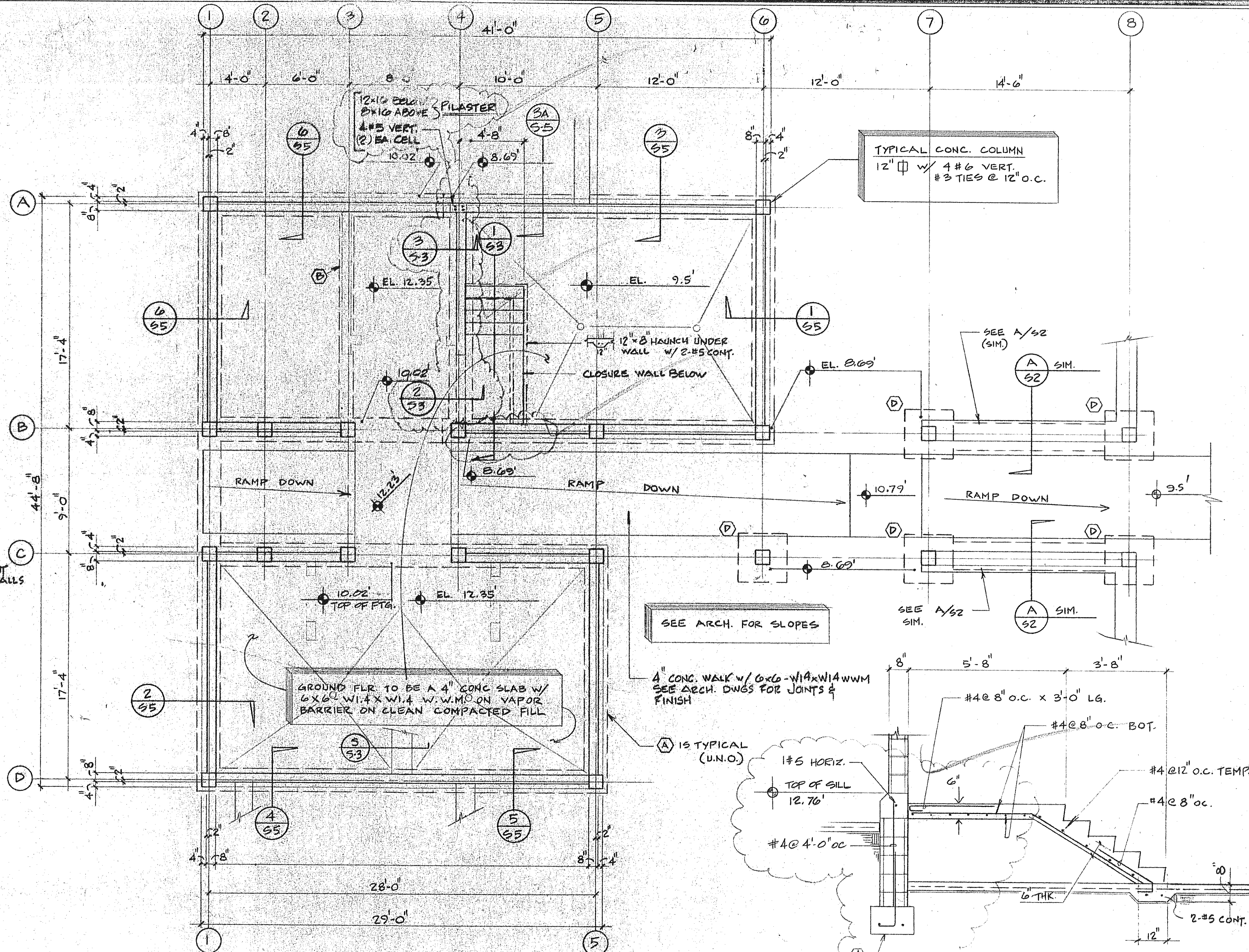
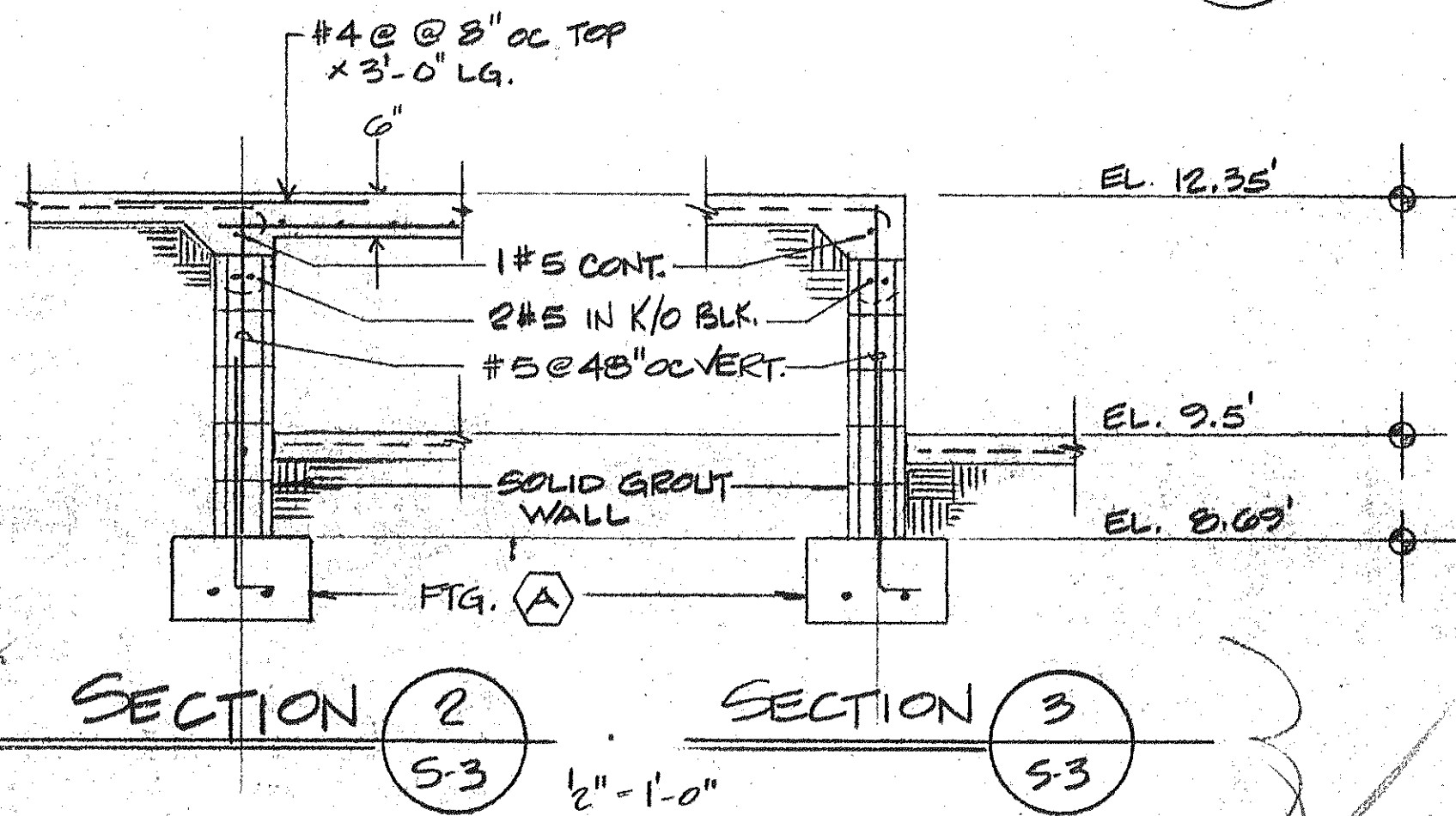
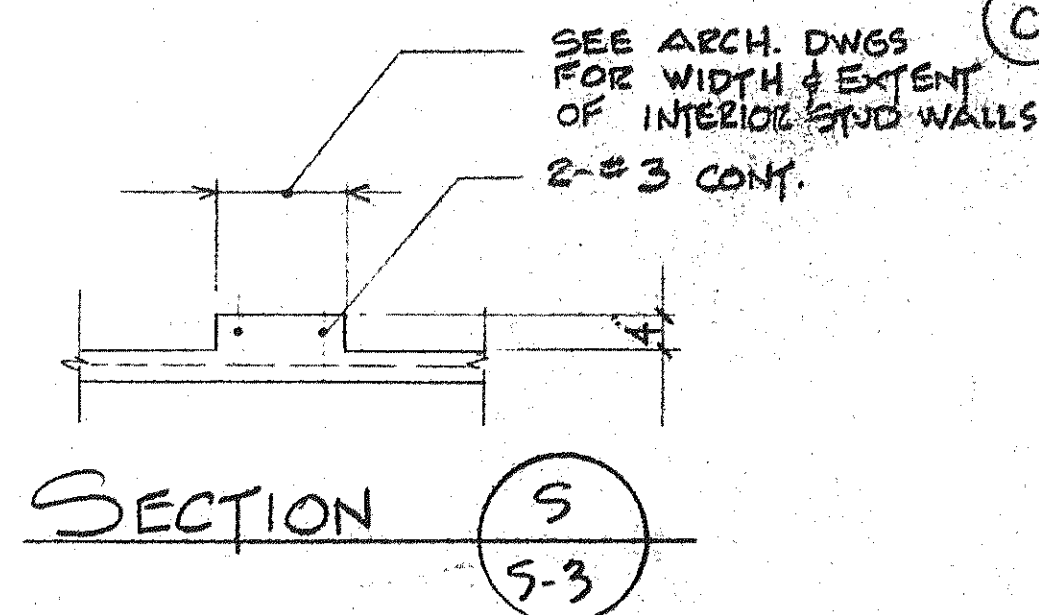


FOOTING SCHEDULE			
MARK	SIZE	DEPTH	REINFORCING
A	1'-8" CONT.	12"	2#5 CONT. BOT.
B	1'-8" CONT.	12"	2#5 CONT.
C	2'-4" CONT. 1	12"	3#5 CONT.
D	3'-6" #	12"	4#5 E.W. BOT.

FOUNDATION NOTES:

- 1.) CONC. STRENGTH = 3000 P.S.I.
- 2.) REBAR GRADE = A615-60
- 3.) BAR LAP = 40 X BAR DIA.
- 4.) CONC. COVER = 2" AT FORMED EDGES  
3" ELSEWHERE



**SUNSET BEACH**  
 CONSULTING ENGINEERS  
 PENNETT & BISHOP INC CONSULTING ENGINEERS & SURVEYORS  
**POOL EQUIPMENT FOUNDATION PLAN**  
 THE SWA GROUP  
 ARVIDA CORPORATION EDWARD J SEBERT AIA ARCHITECT & PLANNER PA  
 BRABHAM KOHNS DEBAY CONSULTING ENGINEERS OLSEN WHITE & ASSOCIATES STRUCTURAL ENGINEERS

ISSUED	28-01-21
REVISED	1-4-23
	12-20-23
SHEET	S3
	OF