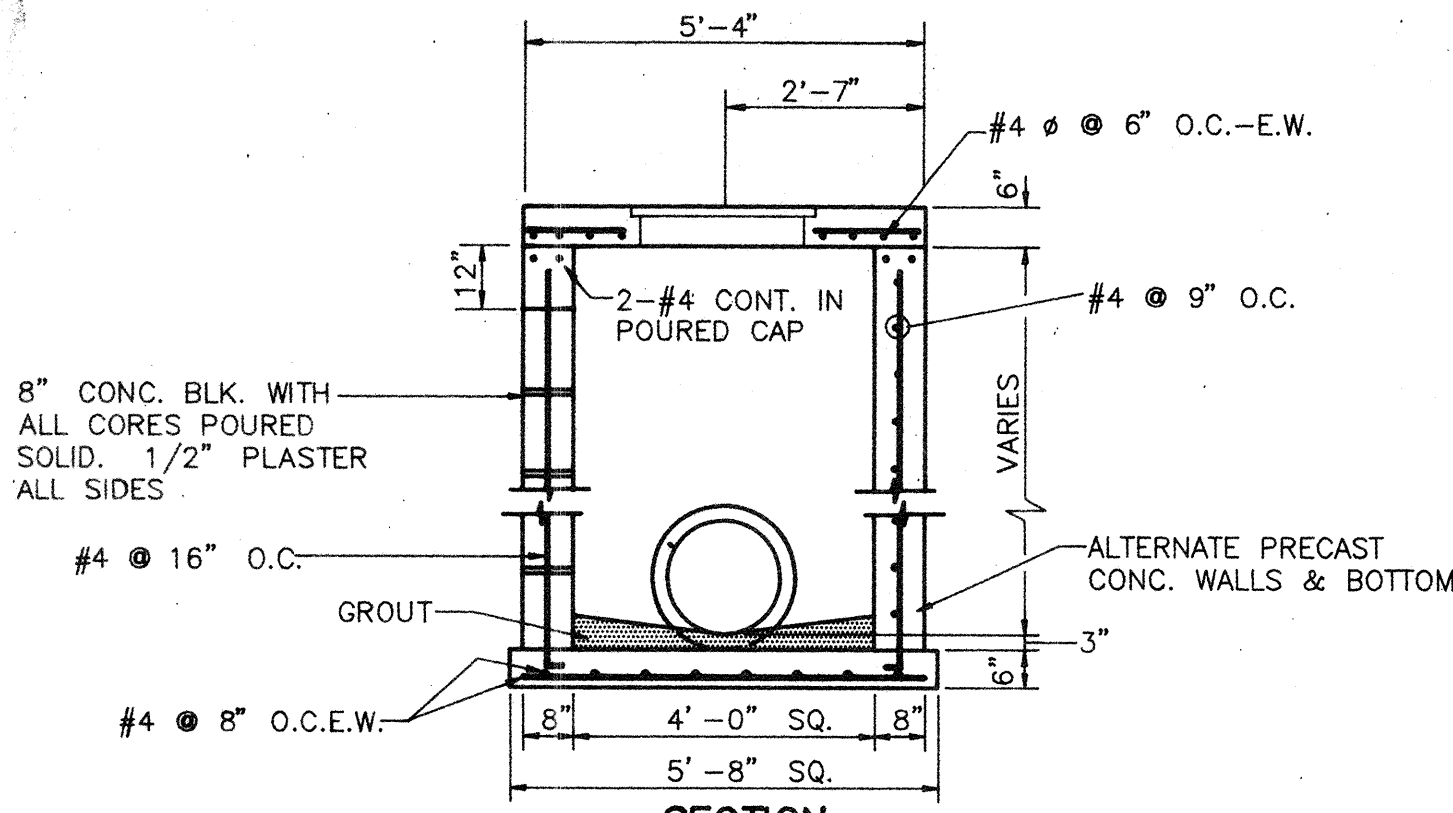


PLAN - COVER REMOVED

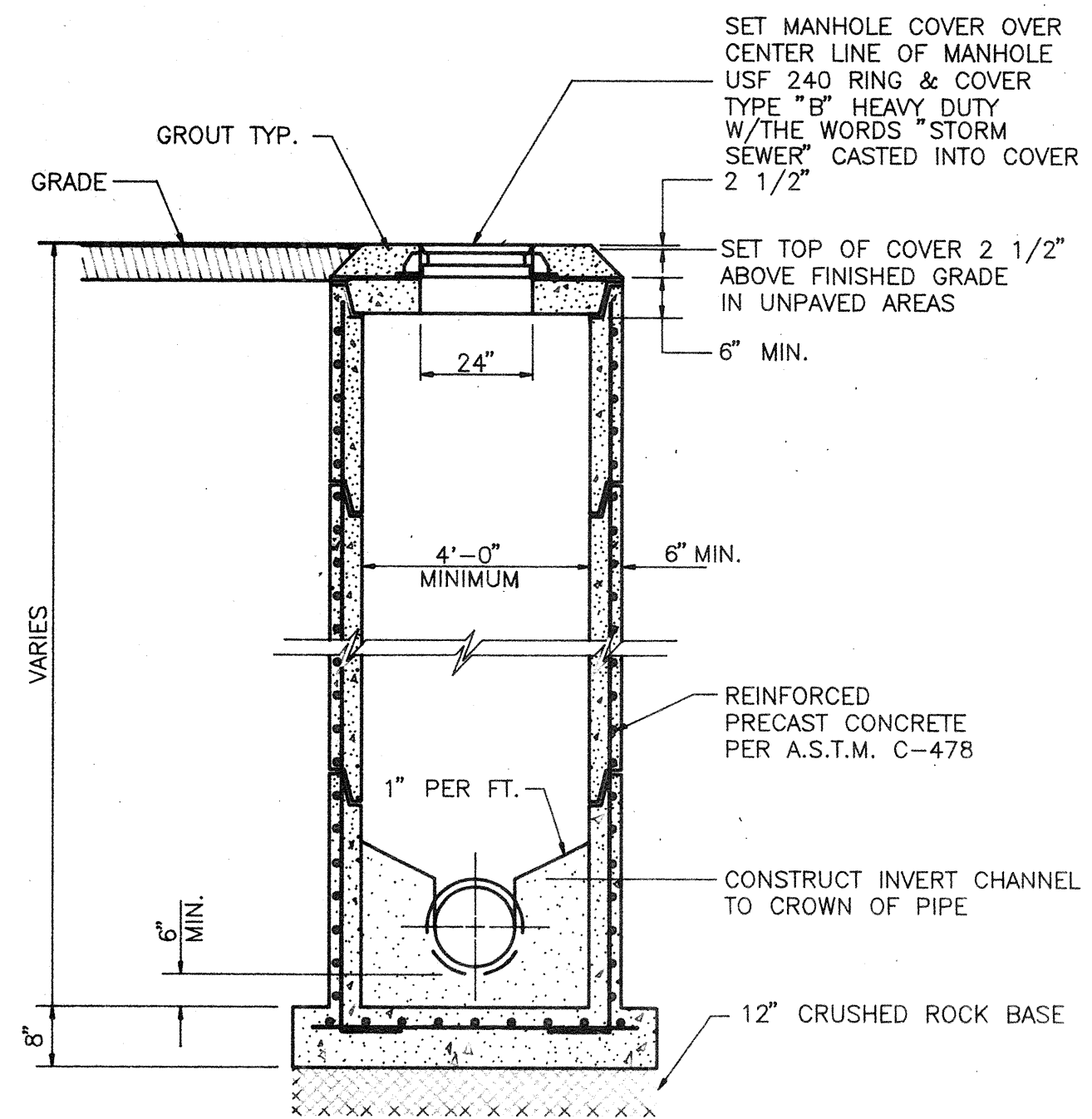


SECTION

- S-8
- S-10
- S-12
- S-18
- S-20

CATCH BASIN

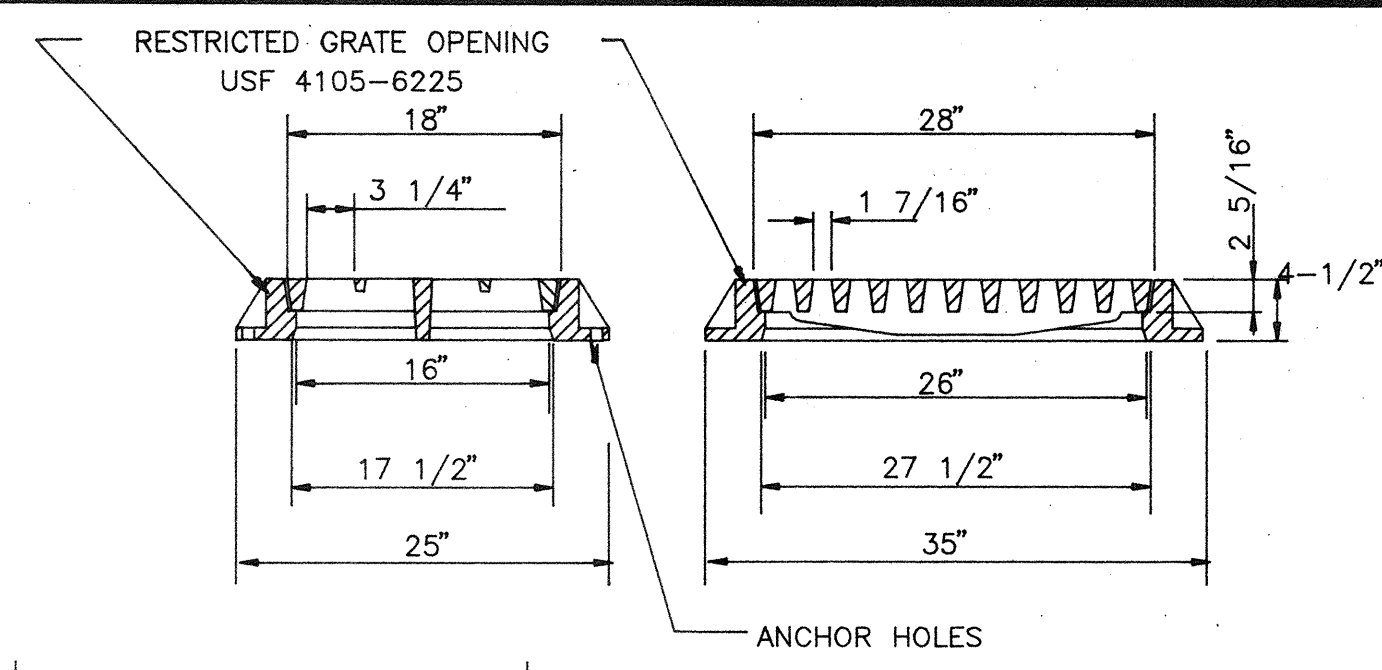
NTS



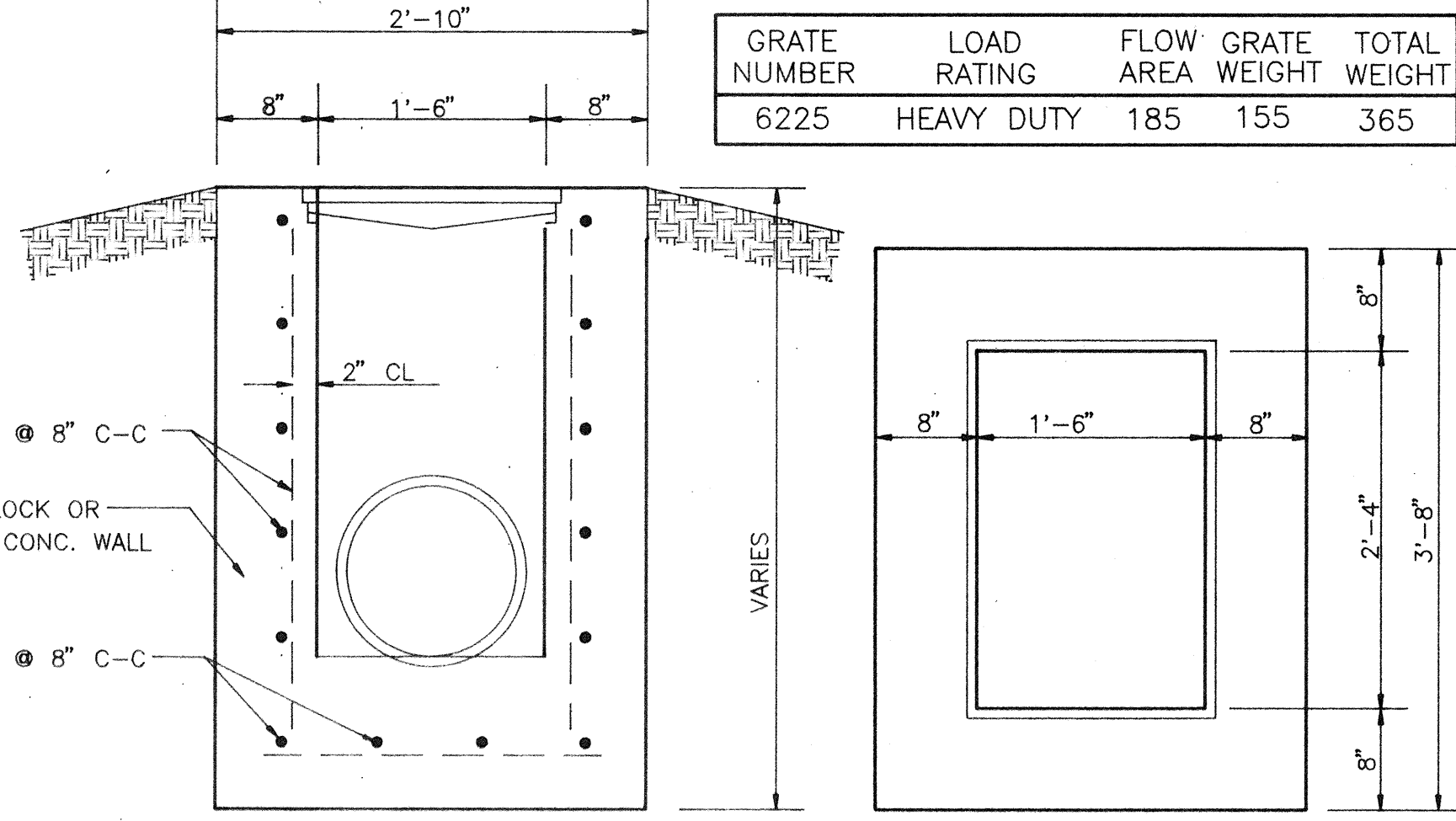
PRECAST CONCRETE STORM SEWER MANHOLE

- S-1
- S-2
- S-9
- S-11
- S-13

NTS.



GRATE NUMBER	LOAD RATING	FLOW AREA	GRATE WEIGHT	TOTAL WEIGHT
6225	HEAVY DUTY	185	155	365

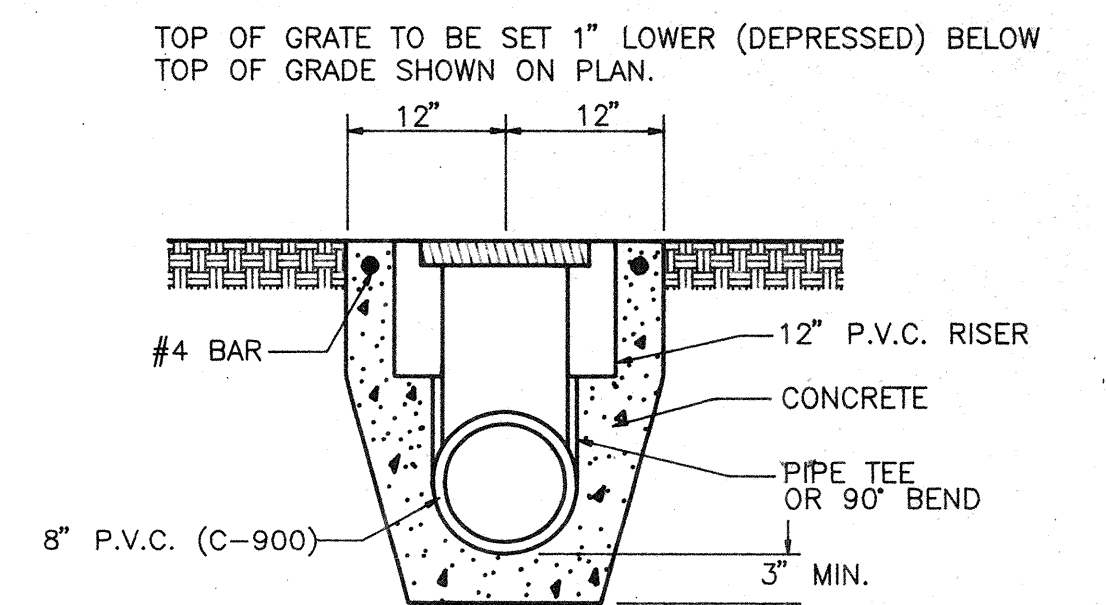


SECTION

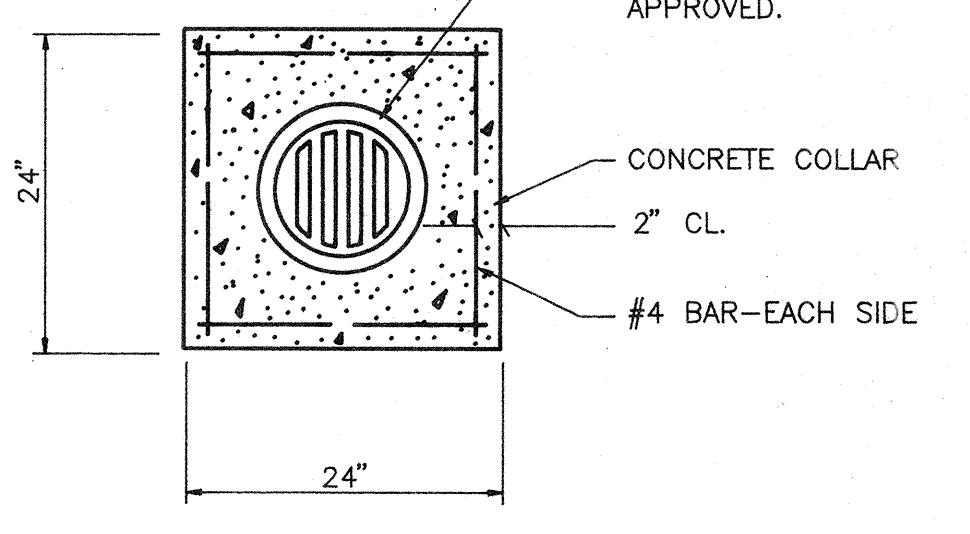
PLAN

YARD DRAIN DETAIL

NTS.



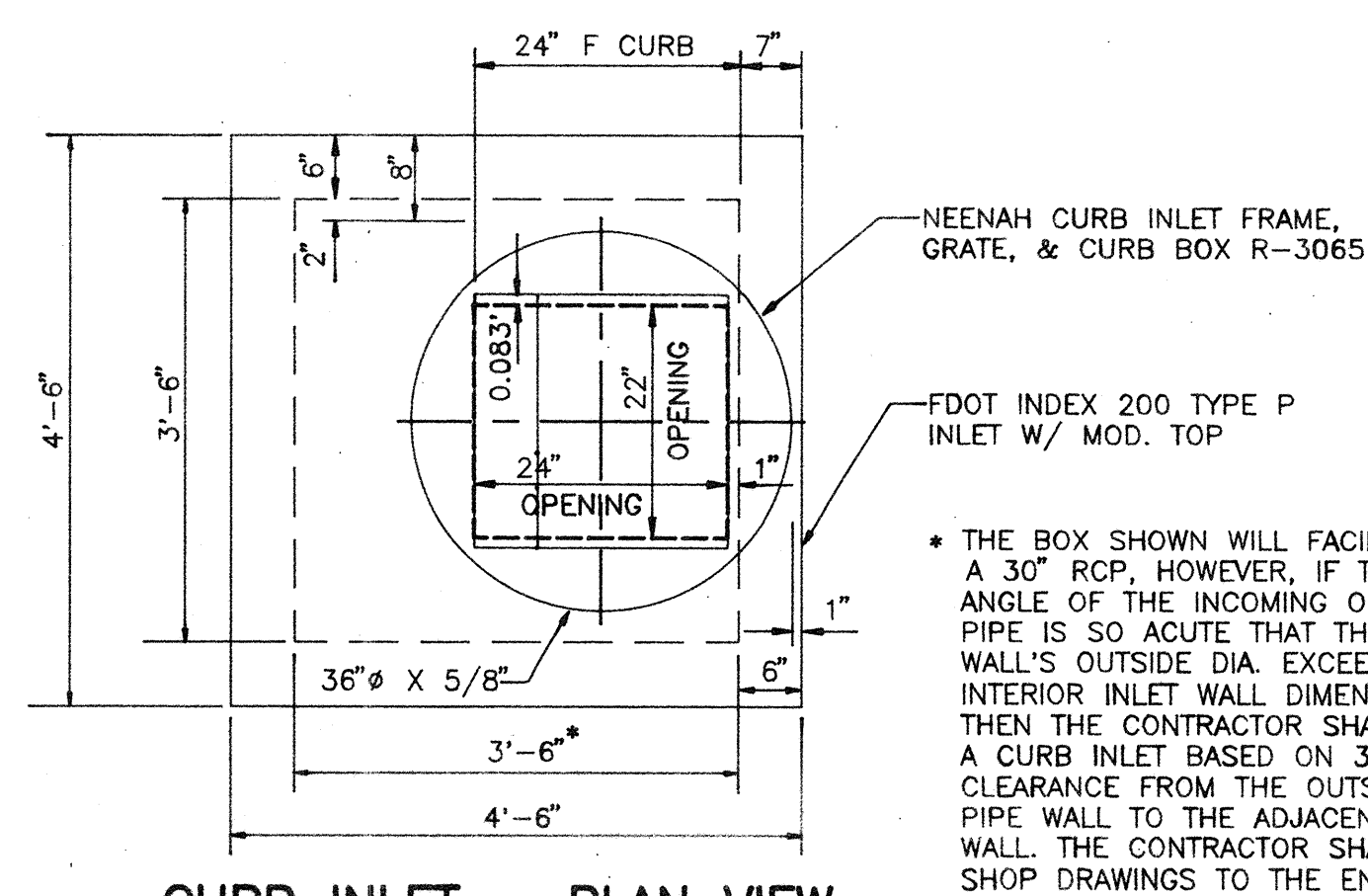
SECTION



PLAN

YARD DRAIN - MODIFIED DETAIL

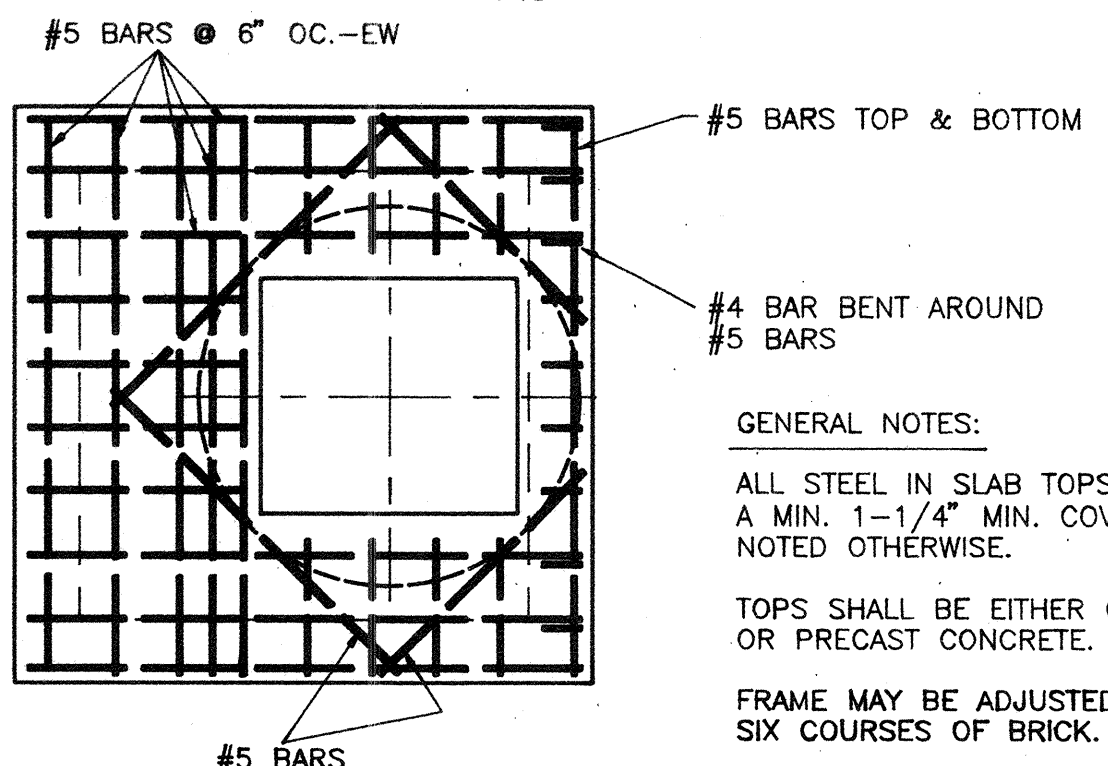
NTS.



CURB INLET - PLAN VIEW

NTS

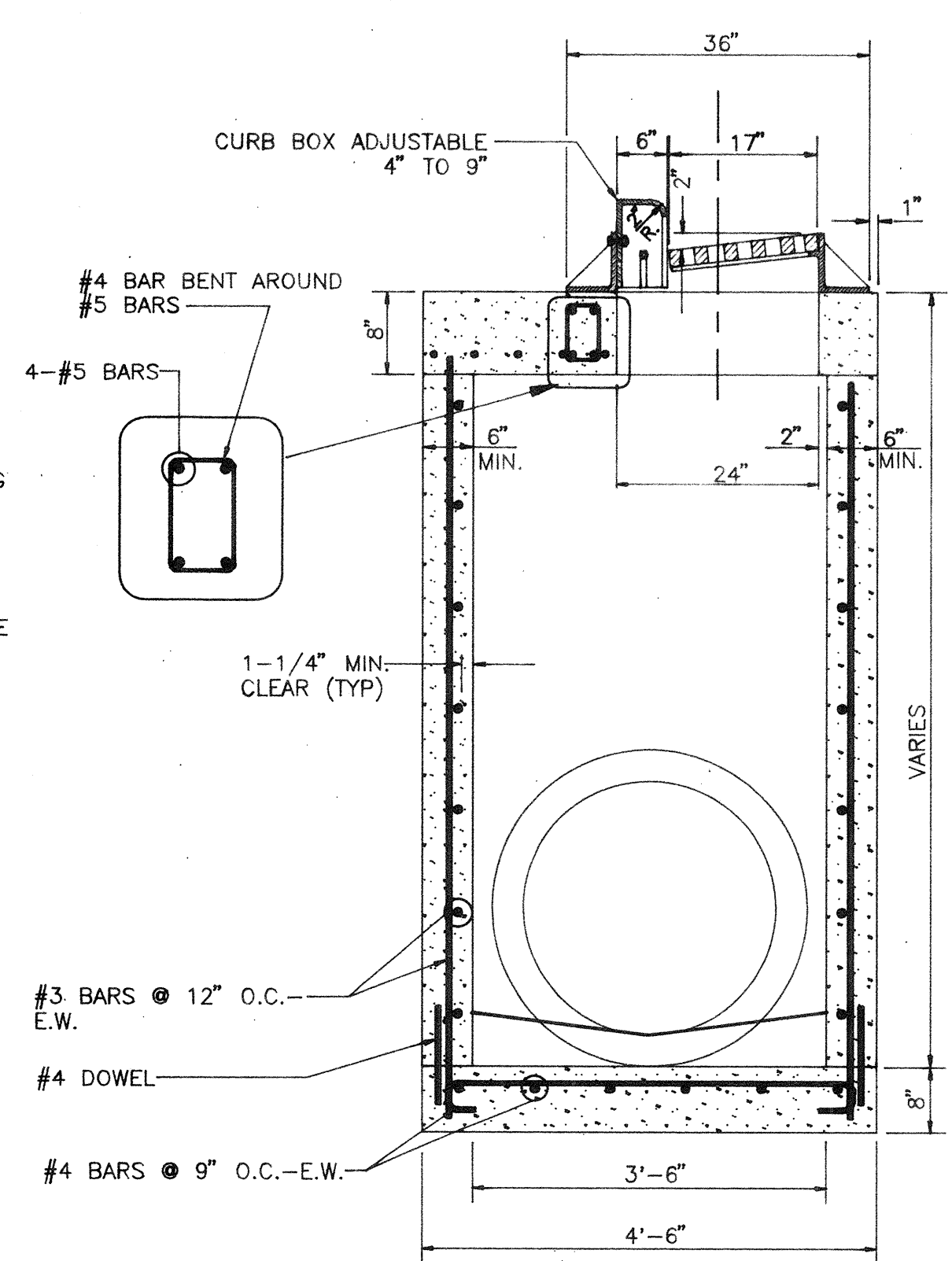
• THE BOX SHOWN WILL FACILITATE A 30" RCP, HOWEVER, IF THE ANGLE OF THE INCOMING OR OUTGOING PIPE IS SO ACUTE THAT THE PIPE WALL'S OUTSIDE DIA. EXCEEDS THE INTERIOR INLET WALL DIMENSION, THEN THE CONTRACTOR SHALL CONST. A CURB INLET BASED ON 3" MIN. CLEARANCE FROM THE OUTSIDE OF THE PIPE WALL TO THE ADJACENT INLET WALL. THE CONTRACTOR SHALL SUBMIT SHOP DRAWINGS TO THE ENGINEER FOR APPROVAL.



TOP SLAB AND REBAR PLAN

NTS

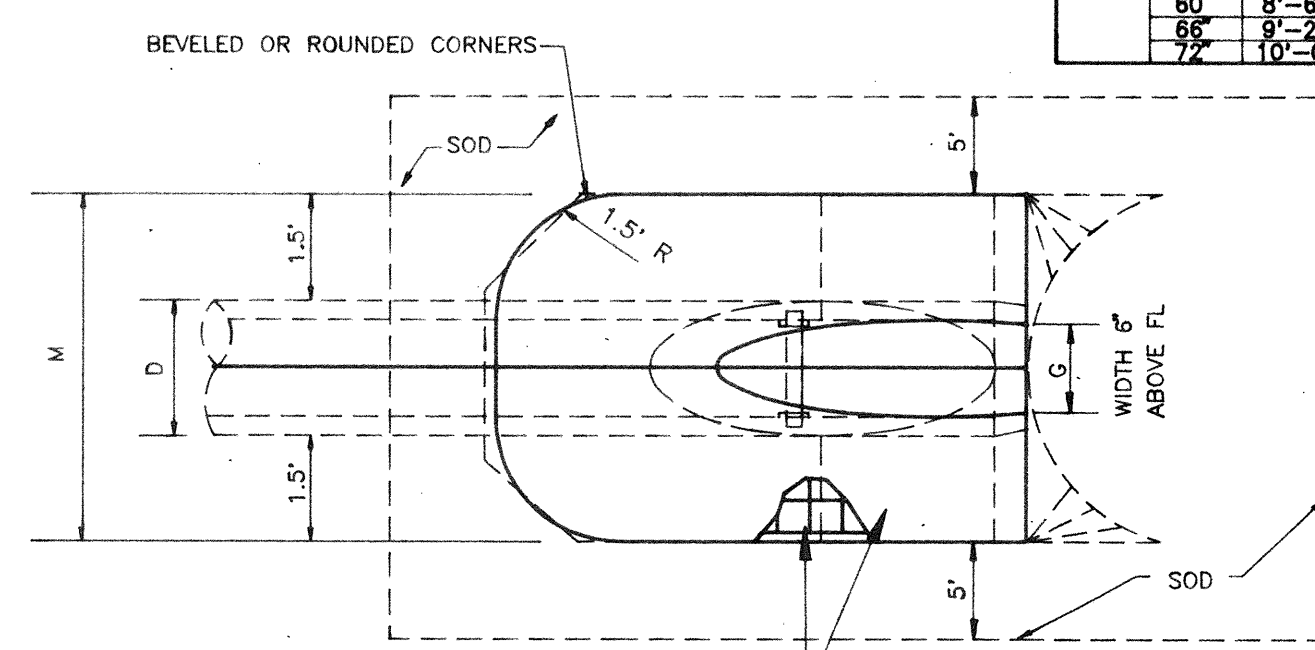
GENERAL NOTES:
ALL STEEL IN SLAB TOPS SHALL HAVE A MIN. 1-1/4" MIN. COVER UNLESS NOTED OTHERWISE.
TOPS SHALL BE EITHER CAST-IN-PLACE OR PRECAST CONCRETE.
FRAME MAY BE ADJUSTED WITH ON TO SIX COURSES OF BRICK.



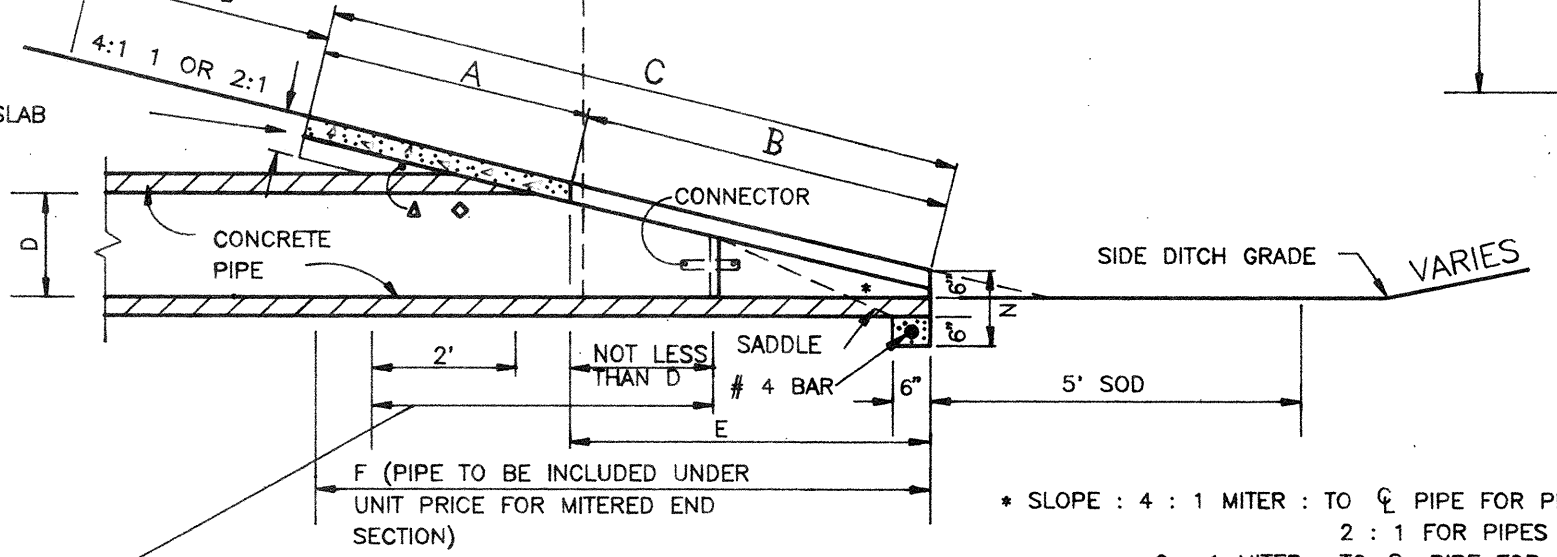
TYPE P INLET BOTTOM (FDOT INDEX NO.200)

- S-2A
- S-4
- S-5
- S-14
- S-15A
- S-19
- S-24
- S-3
- S-4A
- S-13A
- S-15
- S-16
- S-23

NTS



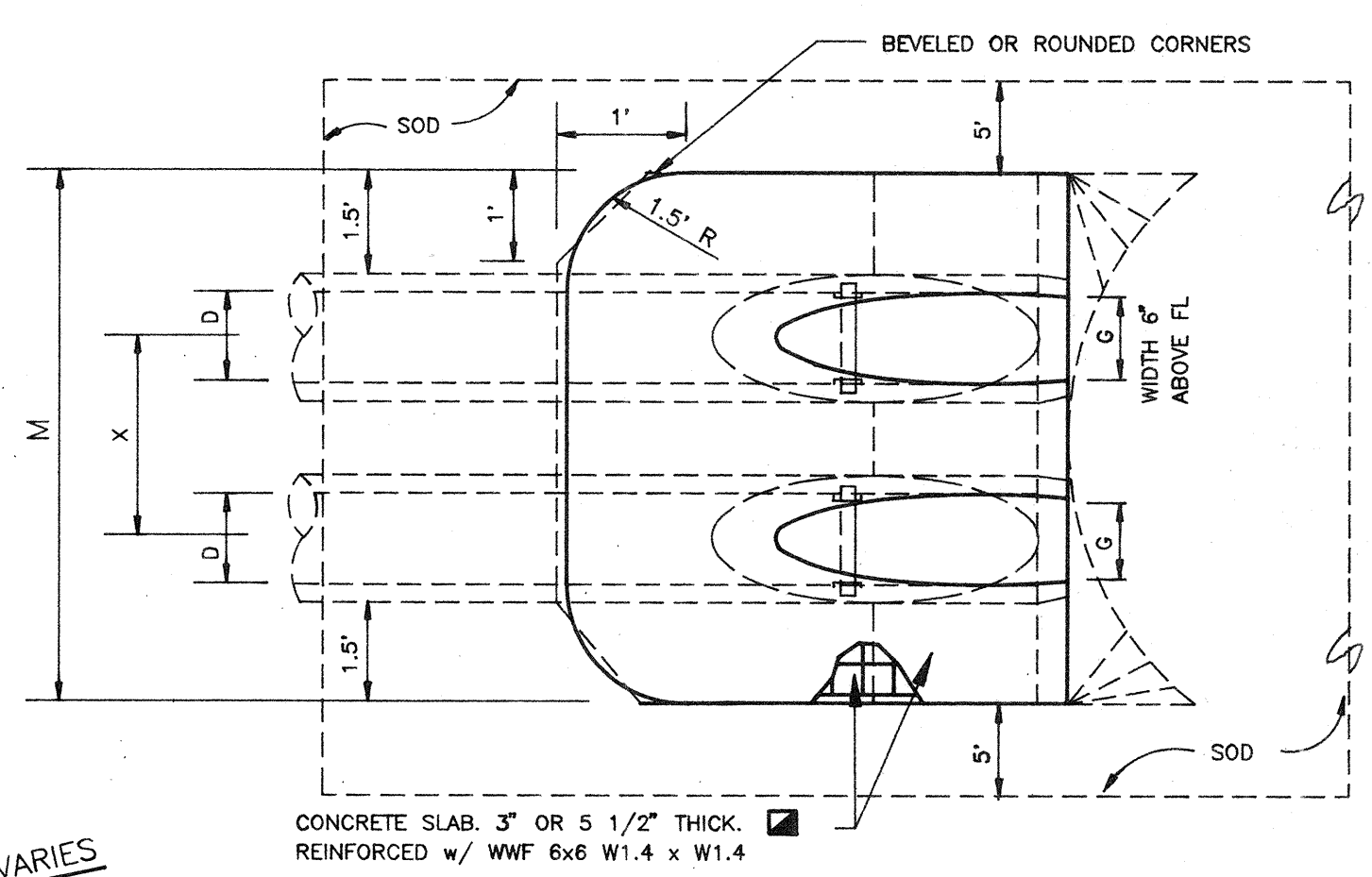
TOP VIEW - SINGLE PIPE



SECTION

CROSS DRAIN MITERED END SECTION

NTS.



TOP VIEW - MULTIPLE PIPE

NOTE: SEE SHEET 6 FOR DETAILS & NOTES (FDOT INDEX NO.272).

D	X	A	B	C	E	F	G	DIMENSIONS AND QUANTITIES				3" CONCRETE SLAB (CY)				SODDING (SQ. YDS.)				
								SING. PIPE	DOUB. PIPE	TRIP. PIPE	QUAD. PIPE	SING. PIPE	DOUB. PIPE	TRIP. PIPE	QUAD. PIPE					
15'	2'-7"	1.82'	2.18'	4.10'	2.08'	5'	1.22'	4.63'	7.2'	9.79'	12.37'	1.19'	0.27'	0.41'	0.54'	0.87'	21	24	27	30
18'	2'-10"	1.97'	2.34'	4.21'	2.26'	6'	1.41'	4.92'	7.75'	10.58'	13.42'	1.21'	0.31'	0.45'	0.80'	0.75'	22	25	28	31
24'	3'-3"	2.08'	2.85'	5.91'	3.58'	7'	1.73'	5.50'	8.99'	12.58'	15.75'	1.25'	0.39'	0.59'	0.79'	1.00'	24	28	32	35
30'	4'-3"	2.15'	4.95'	7.10'	4.58'	8'	2.00'	6.98'	10.83'	14.58'	18.33'	1.28'	0.48'	0.76'	1.04'	1.32'	26	31	36	40
36'	5'-1"	2.25'	6.08'	8.33'	5.58'	9'	2.24'	8.67'	11.75'	16.83'	21.92'	1.33'	0.55'	0.94'	1.33'	1.74'	28	34	40	45
42'	6'-0"	2.24'	7.21'	9.58'	6.58'	10'	2.45'	7.25'	13.25'	19.25'	25.25'	1.38'	0.66'	1.15'	1.88'	2.15'	30	37	43	50
48'	6'-0"	2.23'	8.31'	10.78'	7.58'	11'	2.65'	7.83'	14.58'	21.83'	28.08'	1.42'	0.76'	1.36'	2.57'	3.2'	32	39	47	54
54'	7'-8"	2.22'	9.44'	11.98'	8.58'	12'	2.83'	8.42'	16.08'	24.78'	31.42'	1.46'	0.87'	1.82'	3.34'	3.4'	34	42	51	59
60'	8'-8"	2.22'	10.58'	13.18'	9.58'	13'	3.00'	9.00'	17.50'	28.00'	34.50'	1.50'	0.99'	1.90'	2.81'	3.73'	36	45	55	64
66'	9'-2"	2.21'	11.68'	14.38'	10.58'	14'	3.18'	9.58'	18.75'	27.92'	37.08'	1.54'	1.11'	2.15'	3.21'	4.27'	38	48	58	68
72'	10'-0"	2.20'	12.80'	15.60'	11.58'	15'	3.30'	10.18'	20.16'	30.16'	40.16'	1.58'	1.24'	2.48'	3.68'	4.90'	40	51	62	73
15'	2'-7"	2.27'	4.09'	6.36'	4.03'	8'	1.22'	4.63'	7.21'	9.79'	12.37'	1.19'	0.40'	0.61'	0.80'	1.00'	23	26	29	32
18'	2'-10"	2.36'	5.12'	7.48'	5.03'	9'	1.41'	4.92'	7.75'	10.58'	13.42'	1.21'	0.47'	0.69'	0.91'	1.14'	25	28	31	35
24'	3'-3"	2.43'	7.18'	9.71'	7.03'	11'	1.73'	5.50'	8.99'	12.58'	15.75'	1.25'	0.50'	0.90'	1.25'	1.63'	27	31	36	41
30'	4'-3"	2.50'	9.25'	11.95'	8.03'	13'	2.00'	6.98'	10.83'	14.58'	18.63'	1.28'	0.78'	1.19'	1.63'	2.07'	29	36	43	48
36'	5'-1"	2.57'	11.30'	14.18'	11.03'	15'	2.24'	8.67'	11.75'	16.83'	21.92'	1.33'	0.88'	1.48'	2.05'	2.63'	34	40	48	52
42'	6'-0"	2.52'	13.43'	17.42'	12.03'	17'	2.45'	7.25'	13.25'	19.25'	25.25'	1.38'	1.05'	1.82'	2.57'	3.25'	36	44	51	58
48'	6'-0"	2.49'	15.56'	19.65'	13.03'	19'	2.65'	7.83'	14.58'	21.83'	28.08'	1.42'	1.19'	2.05'	3.07'	4.05'	38	47	56	64
54'	7'-8"	2.48'	17.69'	20.88'	14.03'	21'	2.83'	8.42'	16.08'	24.78'	31.42'	1.46'	1.39'	2.55'	3.72'	4.88'	44	52	61	69
60'	8'-8"	2.45'	19.82'	23.11'	15.03'	23'	3.00'	9.00'	17.50'	28.00'	34.50'	1.50'	1.59'	3.02'	4.44'	5.88'	47	56	65	75
66'	9'-2"	2.43'	21.95'	25.35'	16.03'	25'	3.18'	9.58'	18.75'	27.92'	37.08'	1.54'	1.91'	3.68'	5.40'	7.15'	49	58	68	75
72'	10'-0"	2.41'	24.08'	28.91'	17.03'	27'	3.30'	10.18'	20.16'	30.16'	40.16'	1.58'	2.12'	4.18'	6.24'	8.30'	52	63	74	85

FIELD BOOK NO. _____
PAGE _____
DATE _____

REVISED	DATE	Q.C.	DATE	DESCRIPTION	REVISED	DATE	Q.C.	DATE	DESCRIPTION

TASK	INITIALS	DATE
DESIGN	P.C.P.	4-18-83
DRAWN	P.S.N.	4-28-83
CHECKED	W.F.B.	
QUALITY CK.		
HORIZ. SCALE:		
VERT. SCALE:		

