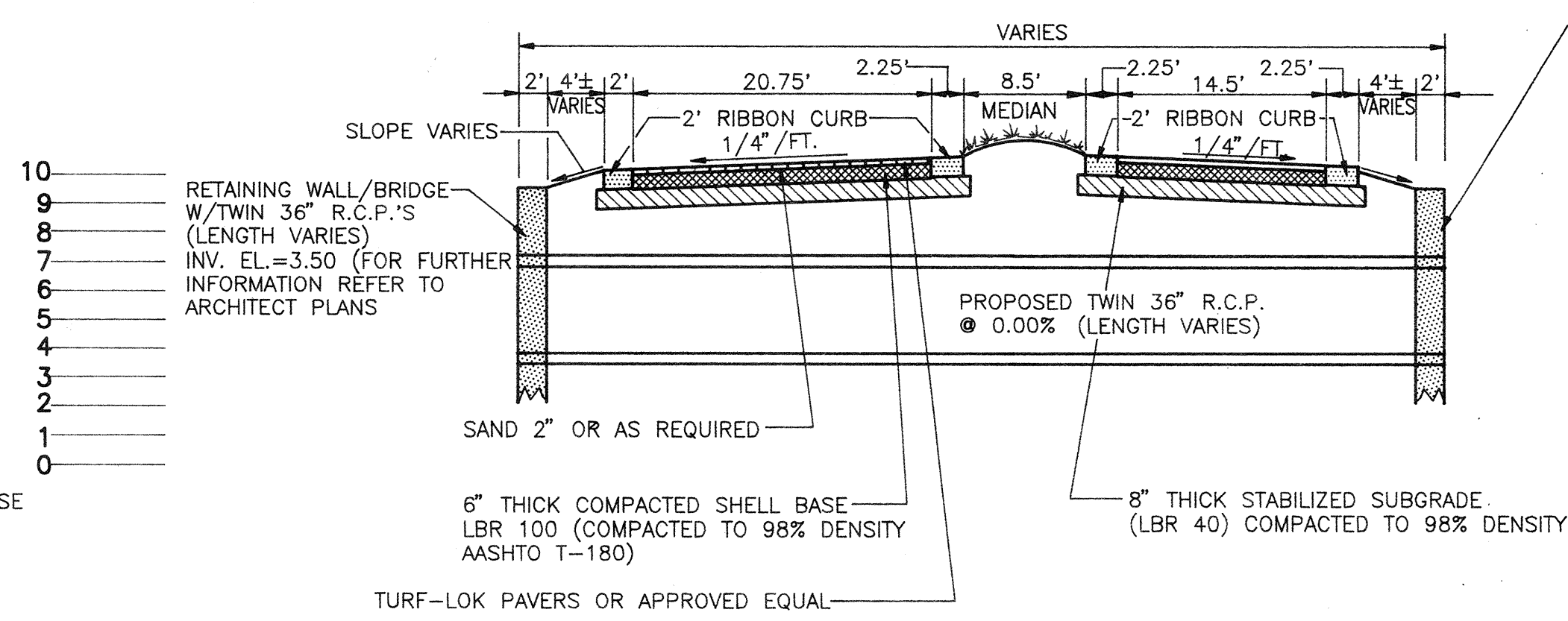
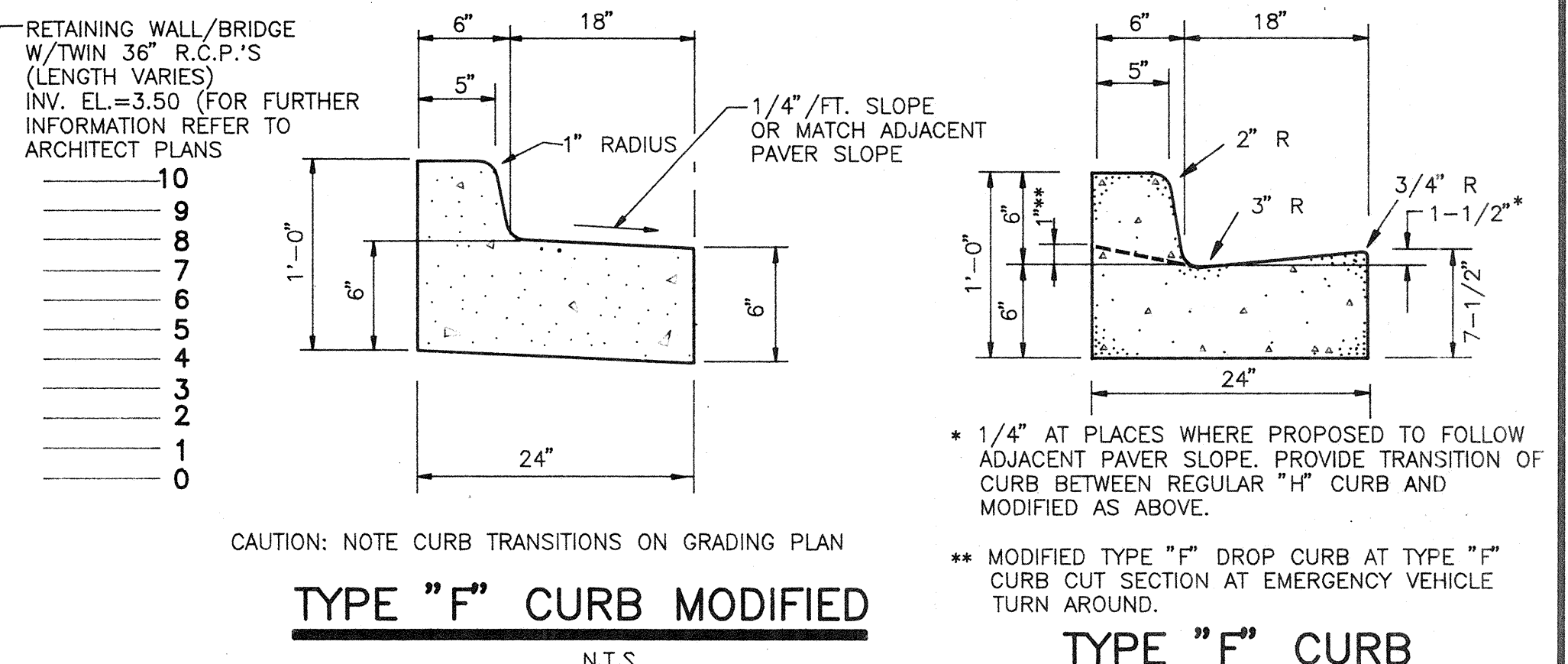


**TYPICAL ENTRANCE ROADWAY SECTION A**  
N.T.S. 419



**TYPICAL ROADWAY SECTION AT PIPE CROSSING F**  
SCALE: 1\"/>



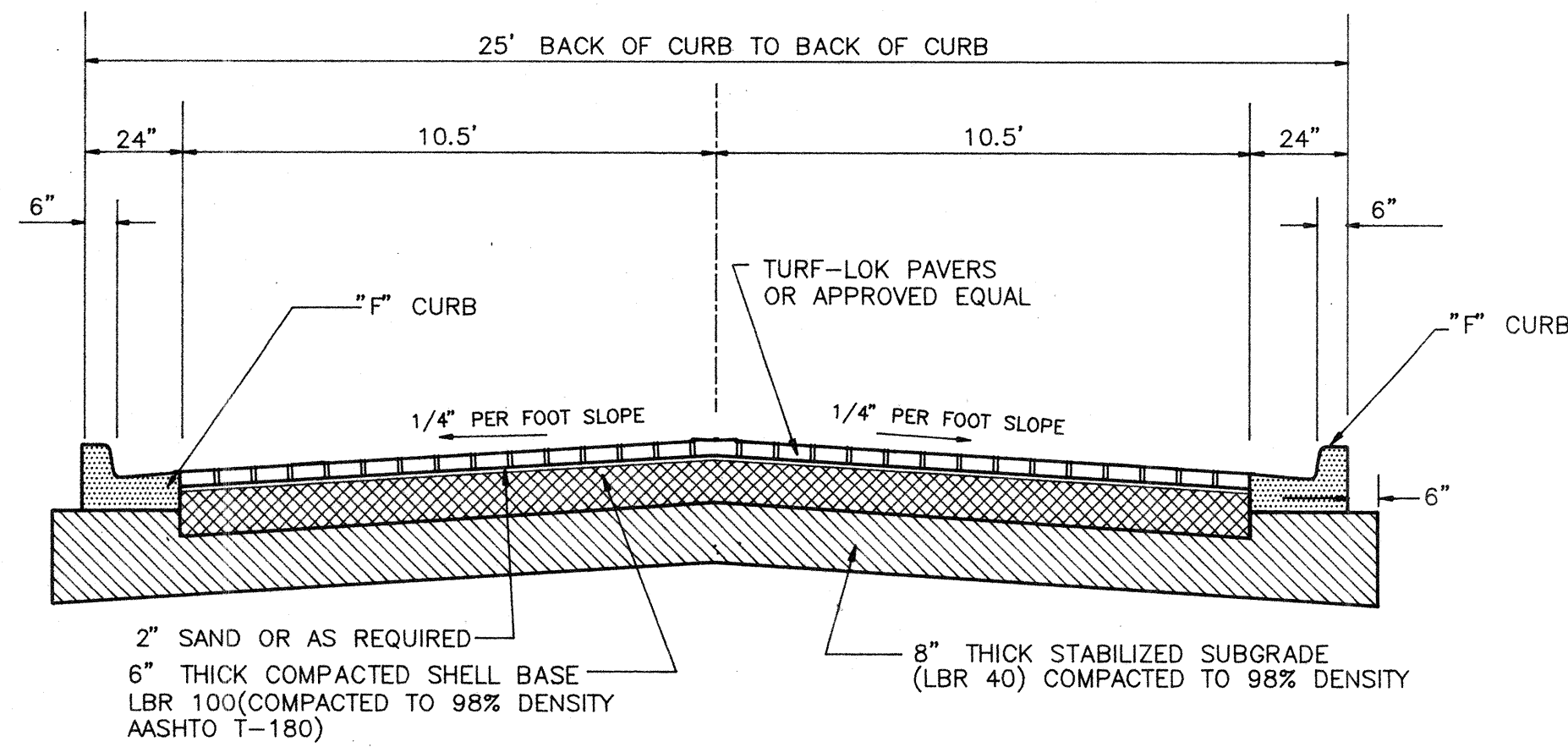
**TYPE "F" CURB MODIFIED**  
N.T.S.

**TYPE "F" CURB**  
N.T.S.

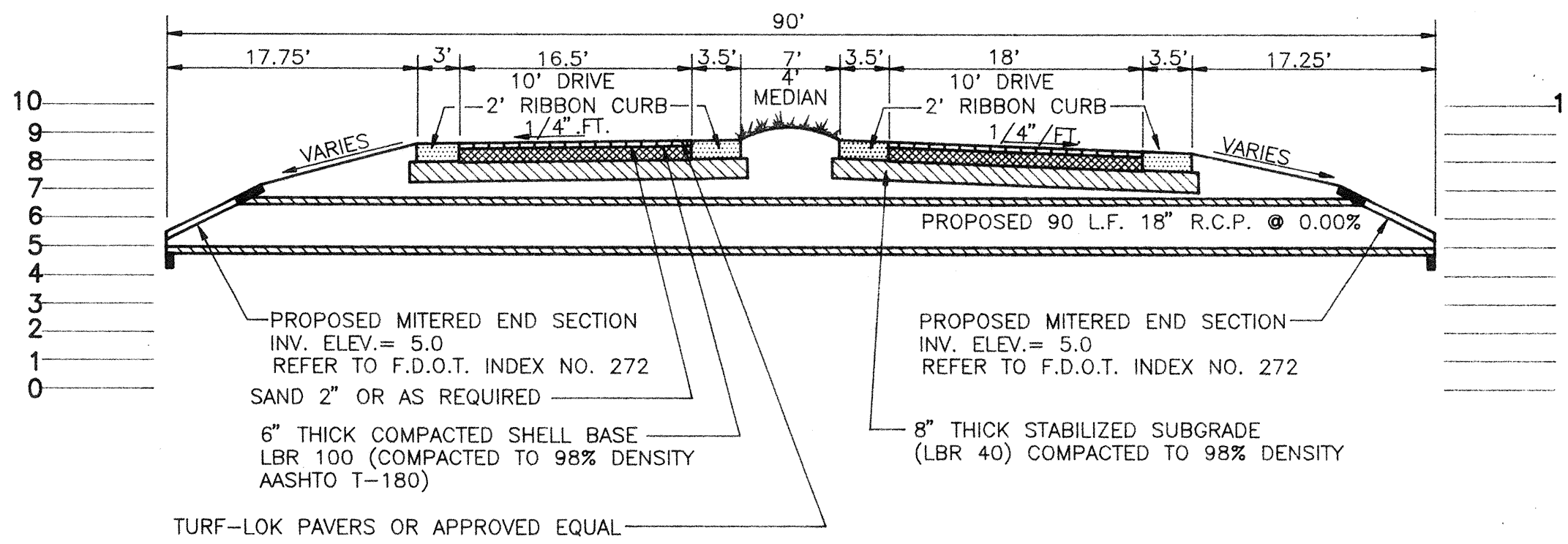
CAUTION: NOTE CURB TRANSITIONS ON GRADING PLAN

\* 1/4" AT PLACES WHERE PROPOSED TO FOLLOW ADJACENT PAVER SLOPE. PROVIDE TRANSITION OF CURB BETWEEN REGULAR "H" CURB AND MODIFIED AS ABOVE.

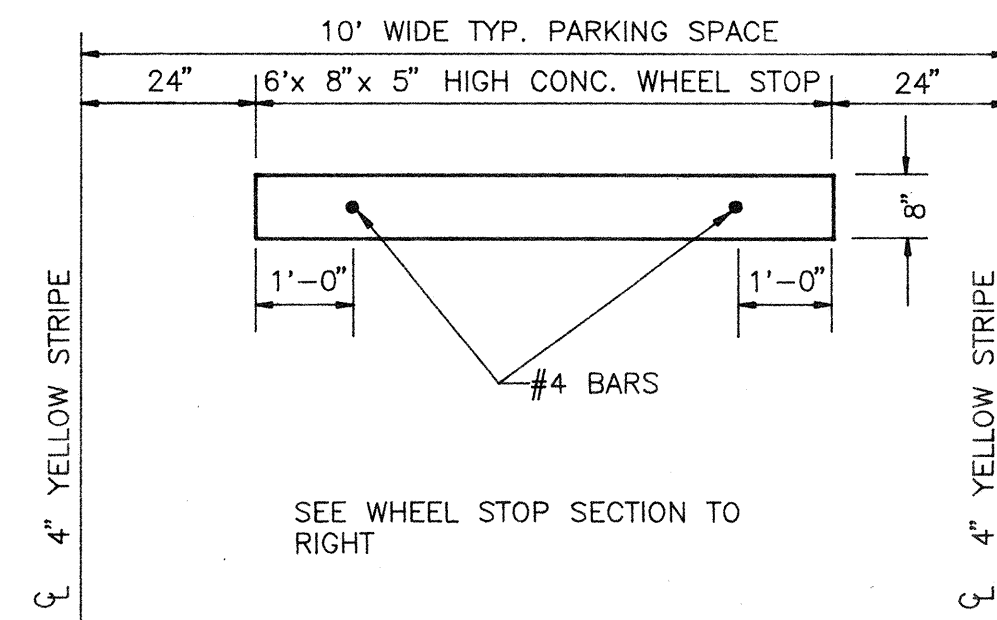
\*\* MODIFIED TYPE "F" DROP CURB AT TYPE "F" CURB CUT SECTION AT EMERGENCY VEHICLE TURN AROUND.



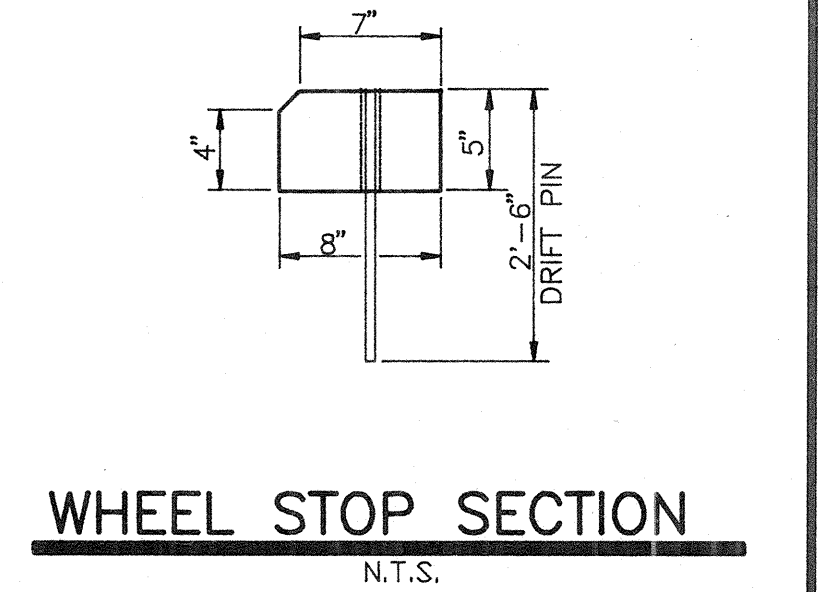
**TYPICAL ROADWAY SECTION B**  
N.T.S. 419



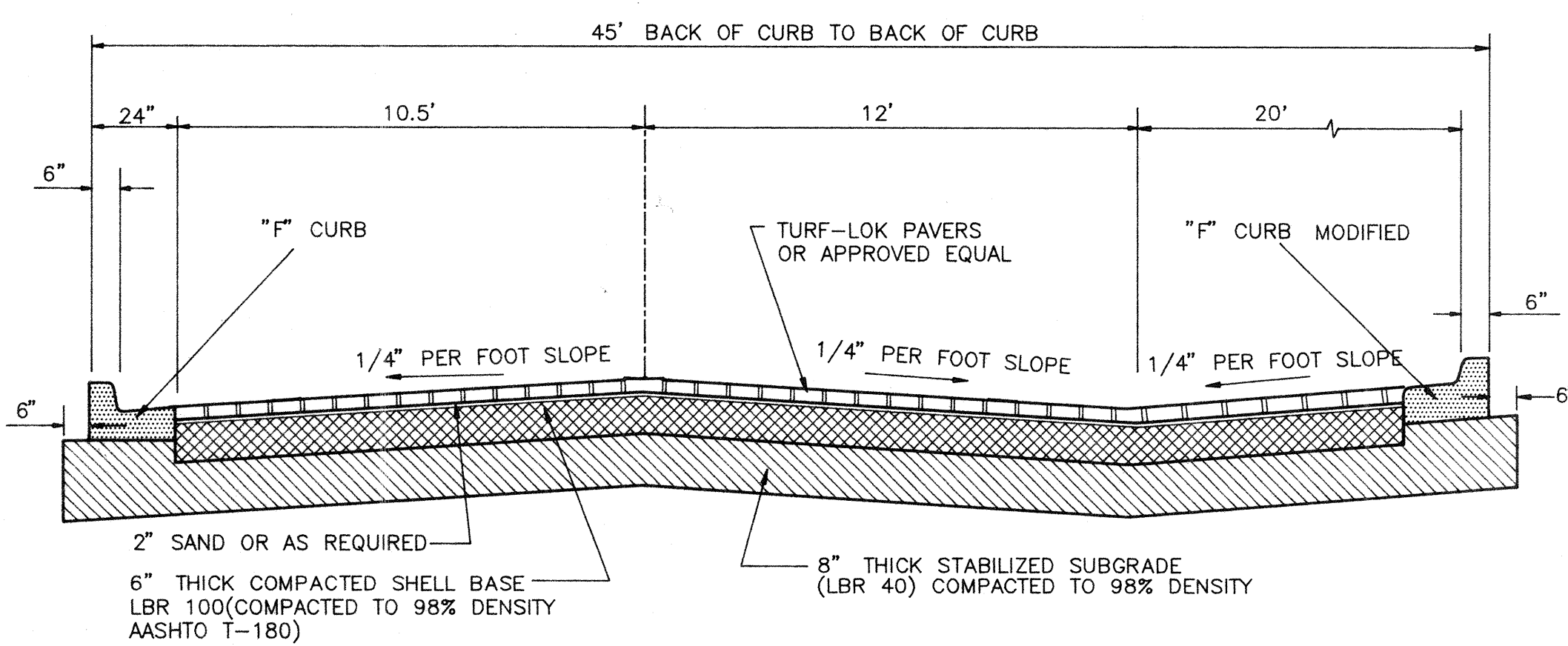
**TYPICAL ROADWAY SECTION AT PIPE CROSSING F**  
SCALE: 1\"/>



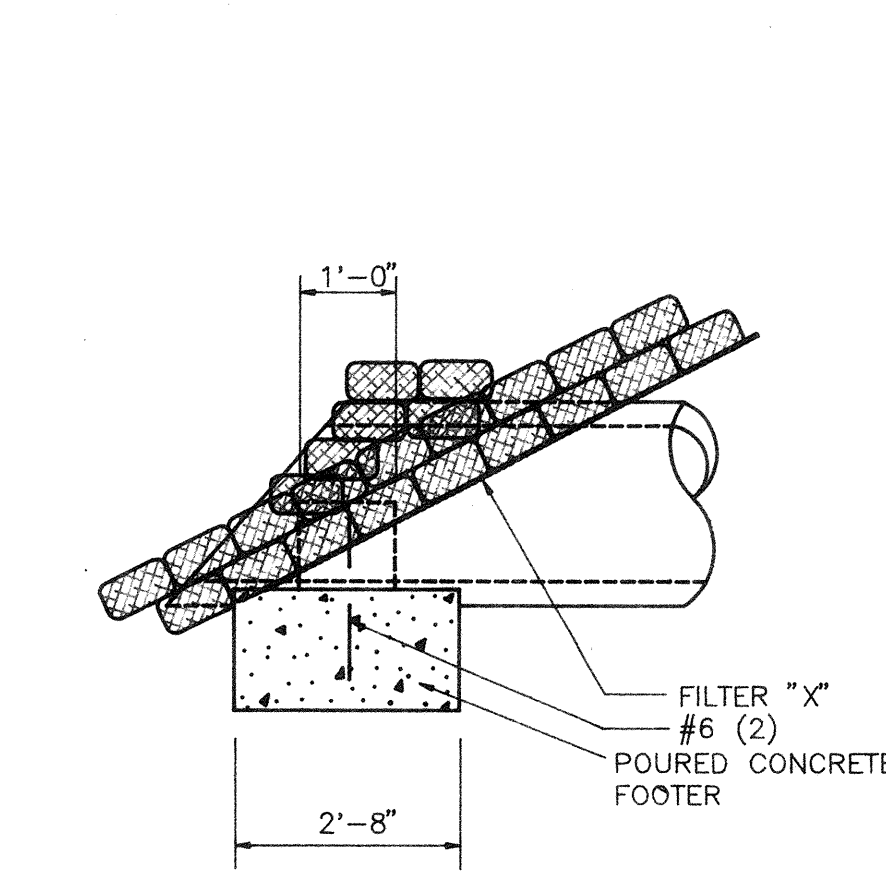
**CONCRETE WHEEL STOP**  
N.T.S.



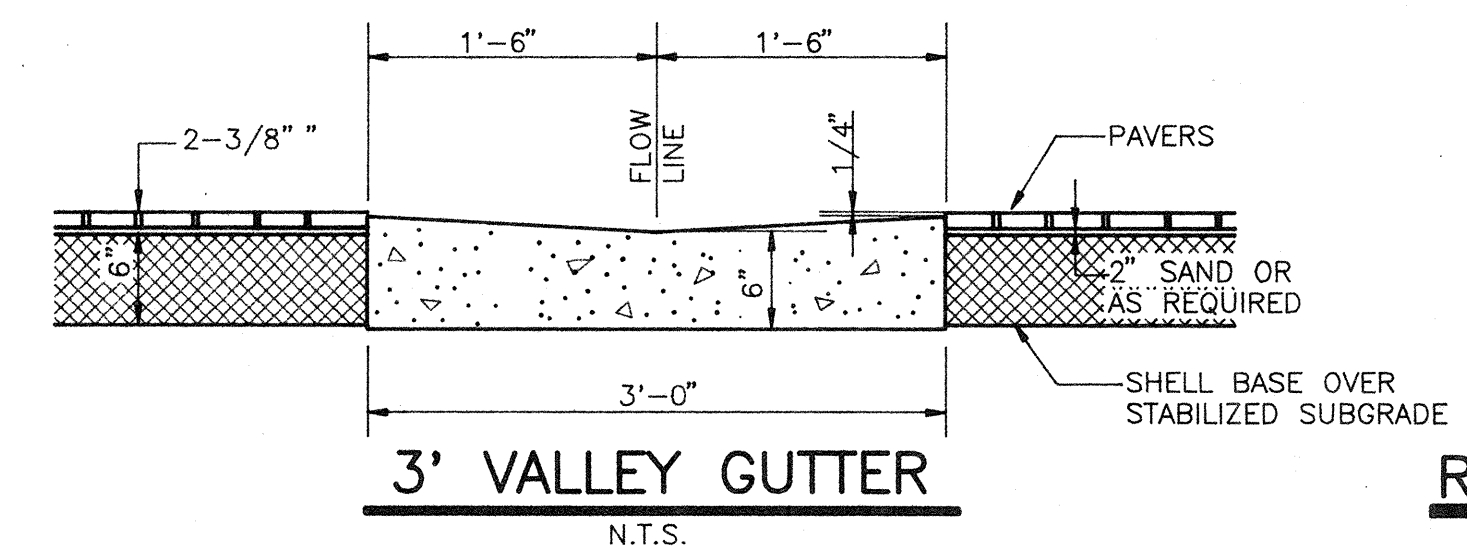
**WHEEL STOP SECTION**  
N.T.S.



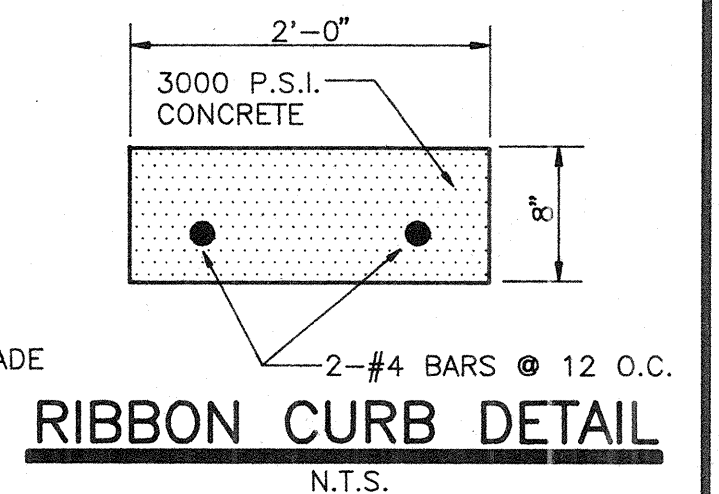
**TYPICAL ROADWAY SECTION C**  
N.T.S. 419



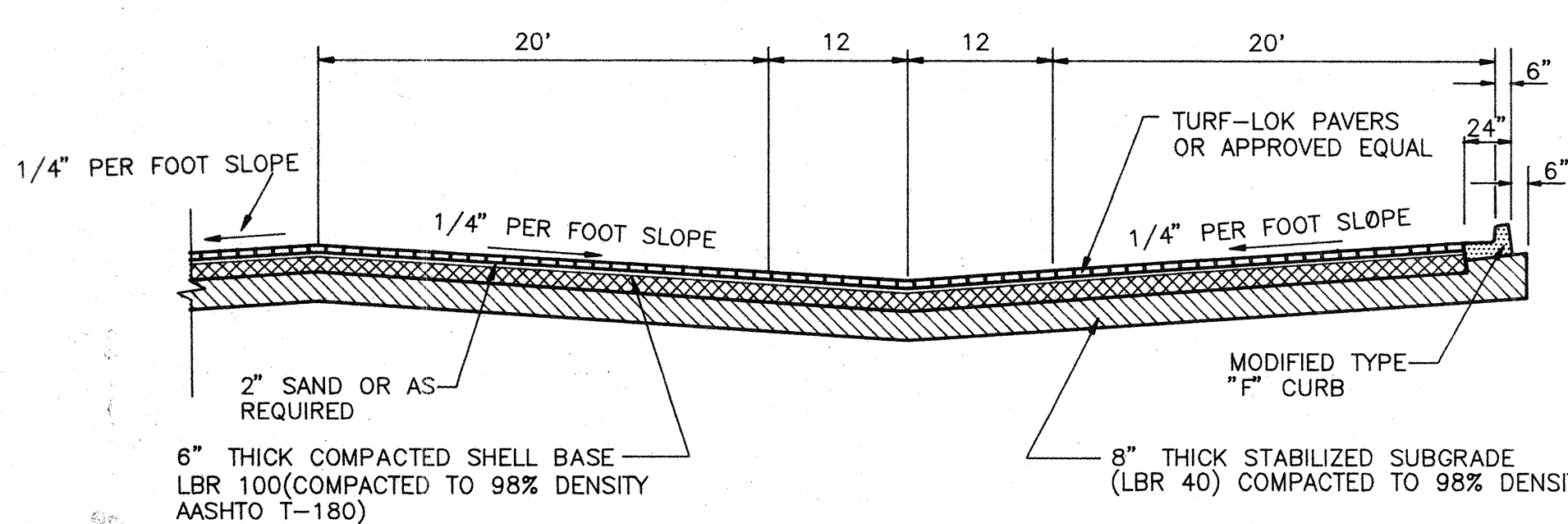
**PAVER BLOCK DETAIL**  
N.T.S.



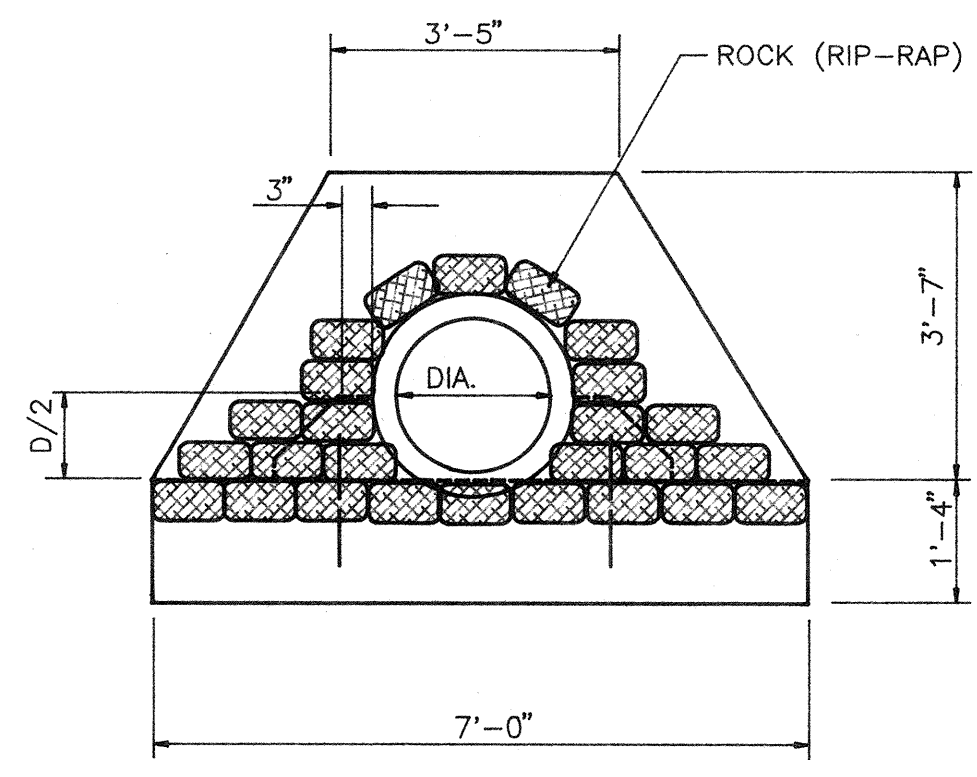
**3' VALLEY GUTTER**  
N.T.S.



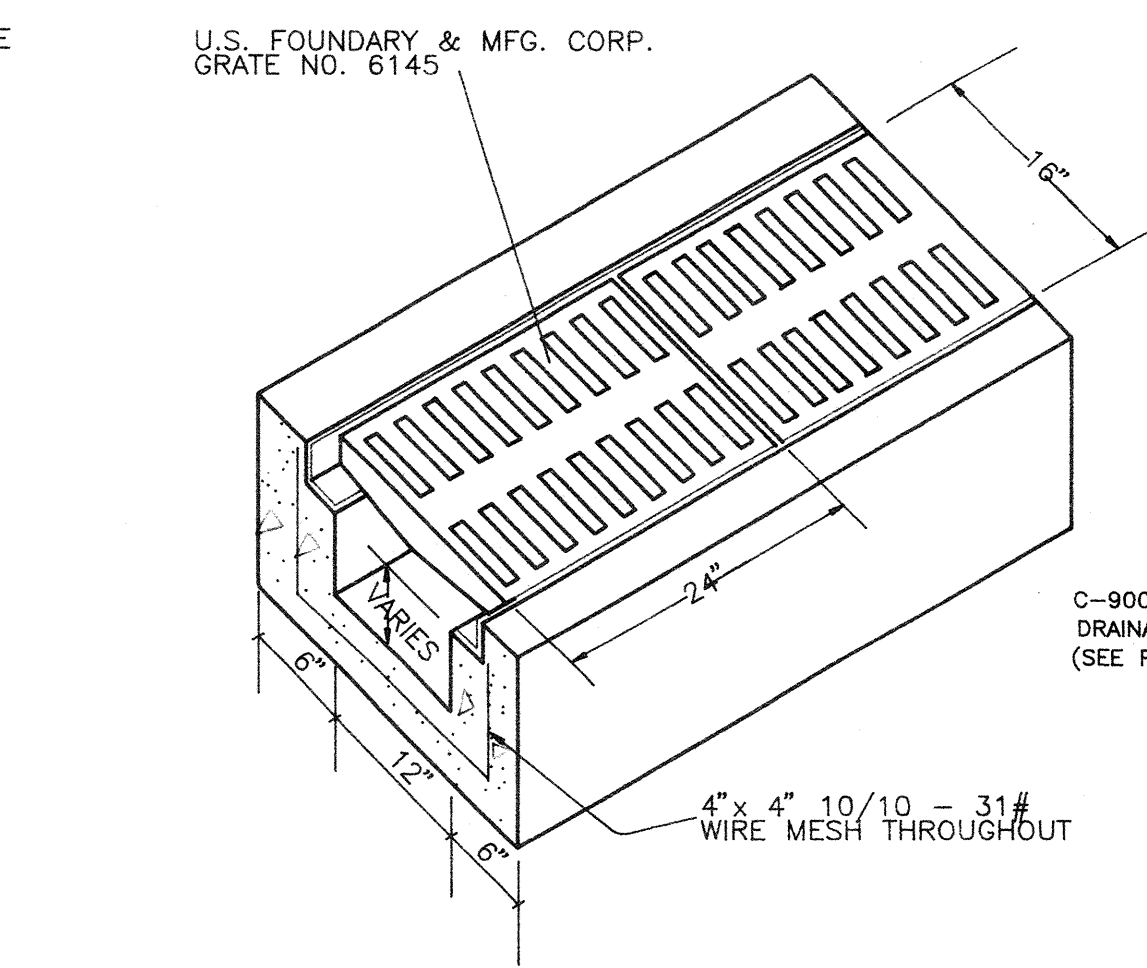
**RIBBON CURB DETAIL**  
N.T.S.



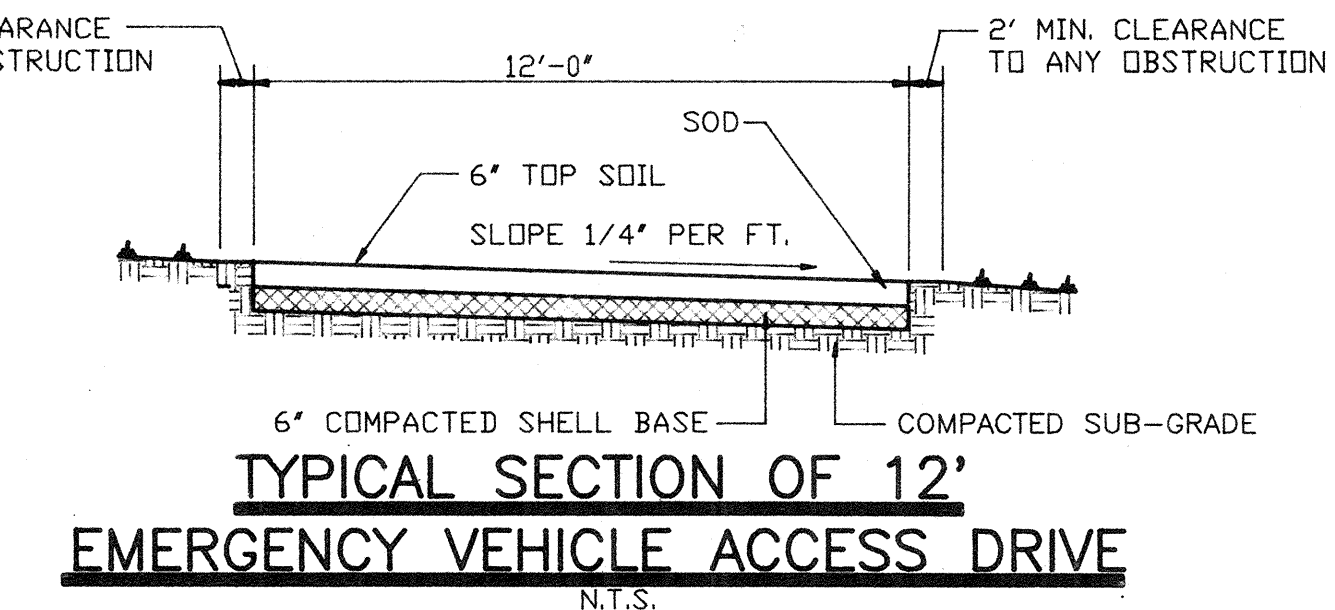
**TYPICAL ROADWAY SECTION D**  
N.T.S. 419



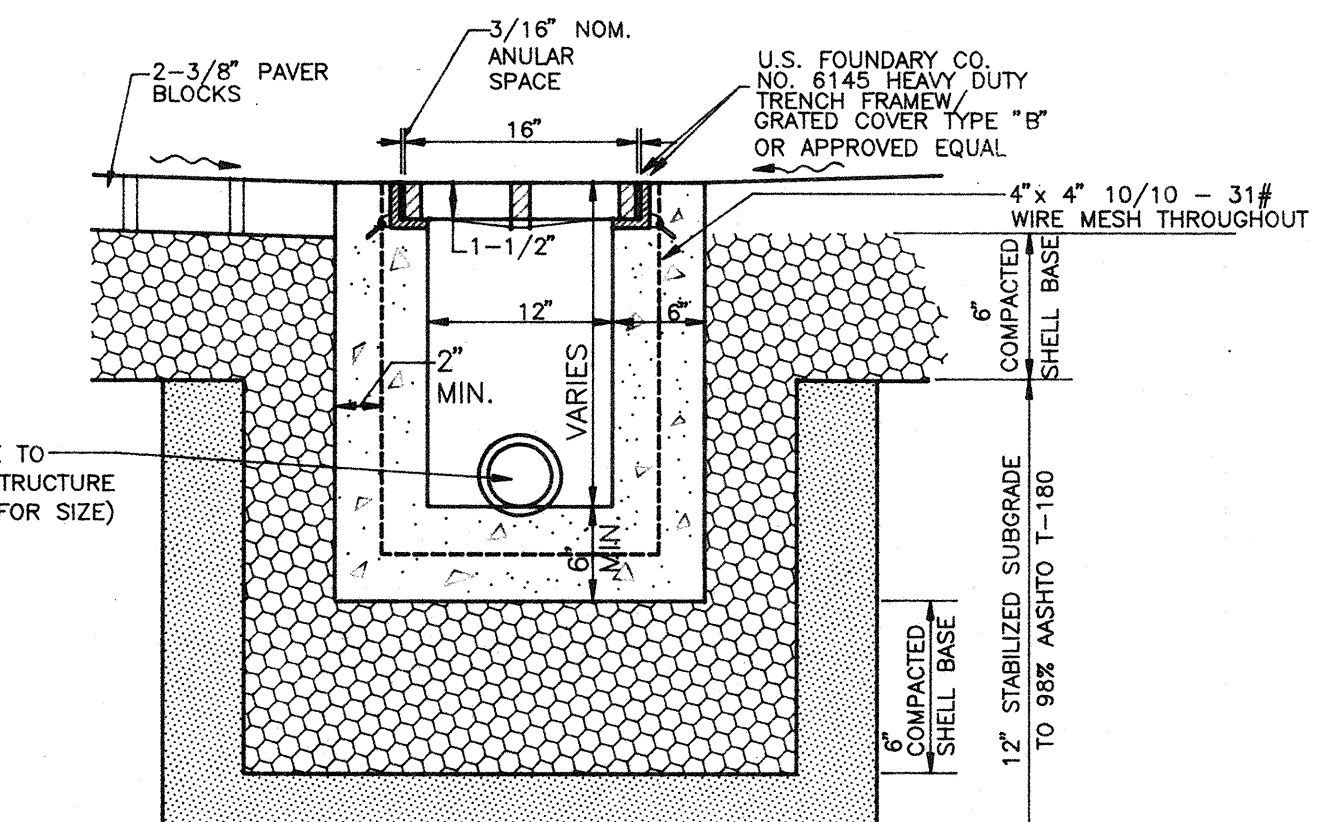
**TYPICAL ENDWALL DETAIL**  
N.T.S.



**ISOMETRIC VIEW TRENCH DRAIN**  
N.T.S.



**TYPICAL SECTION OF 12' EMERGENCY VEHICLE ACCESS DRIVE**  
N.T.S.



**TRENCH DRAIN SECTION**  
N.T.S.

FIELD BOOK NO. \_\_\_\_\_  
PAGE \_\_\_\_\_  
SEC. \_\_\_\_\_

PLAT DATE: \_\_\_\_\_  
CADD FILE: \_\_\_\_\_  
PLOT NO. \_\_\_\_\_

REVISED	BY	DATE	Q.C.	DATE	DESCRIPTION	TASK	INITIALS	DATE
	DVS	10-2-93	PKP	10-2-93	REV. TYP. ENTRANCE ROADWAY SECTION	DESIGN	P.C.P.	4-19-93
						DRAWN	P.S.N.	4-28-93
						CHECKED	W.F.B.	
						QUANTITY		
						HORIZ. SCALE		
						VERT. SCALE		