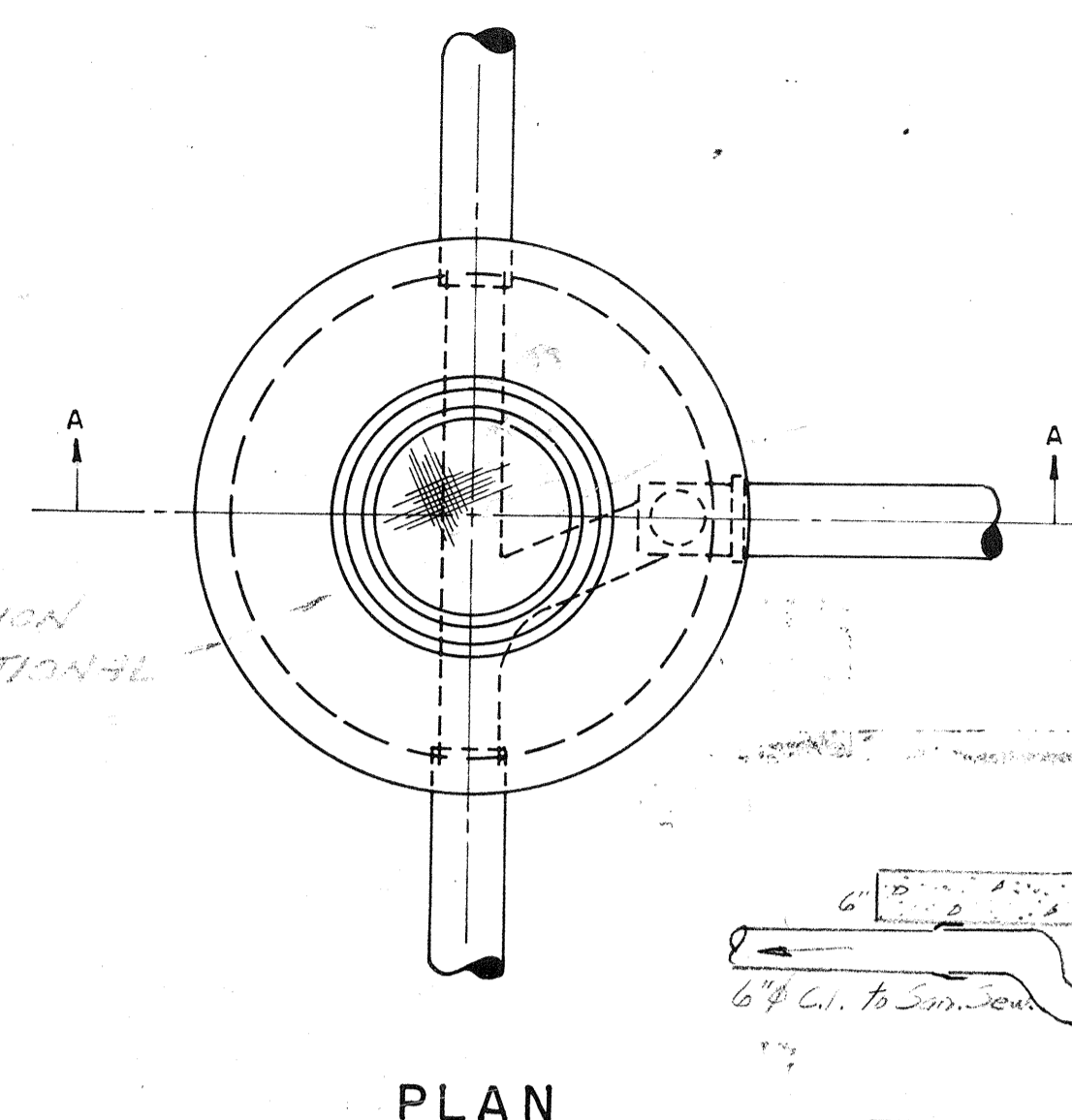
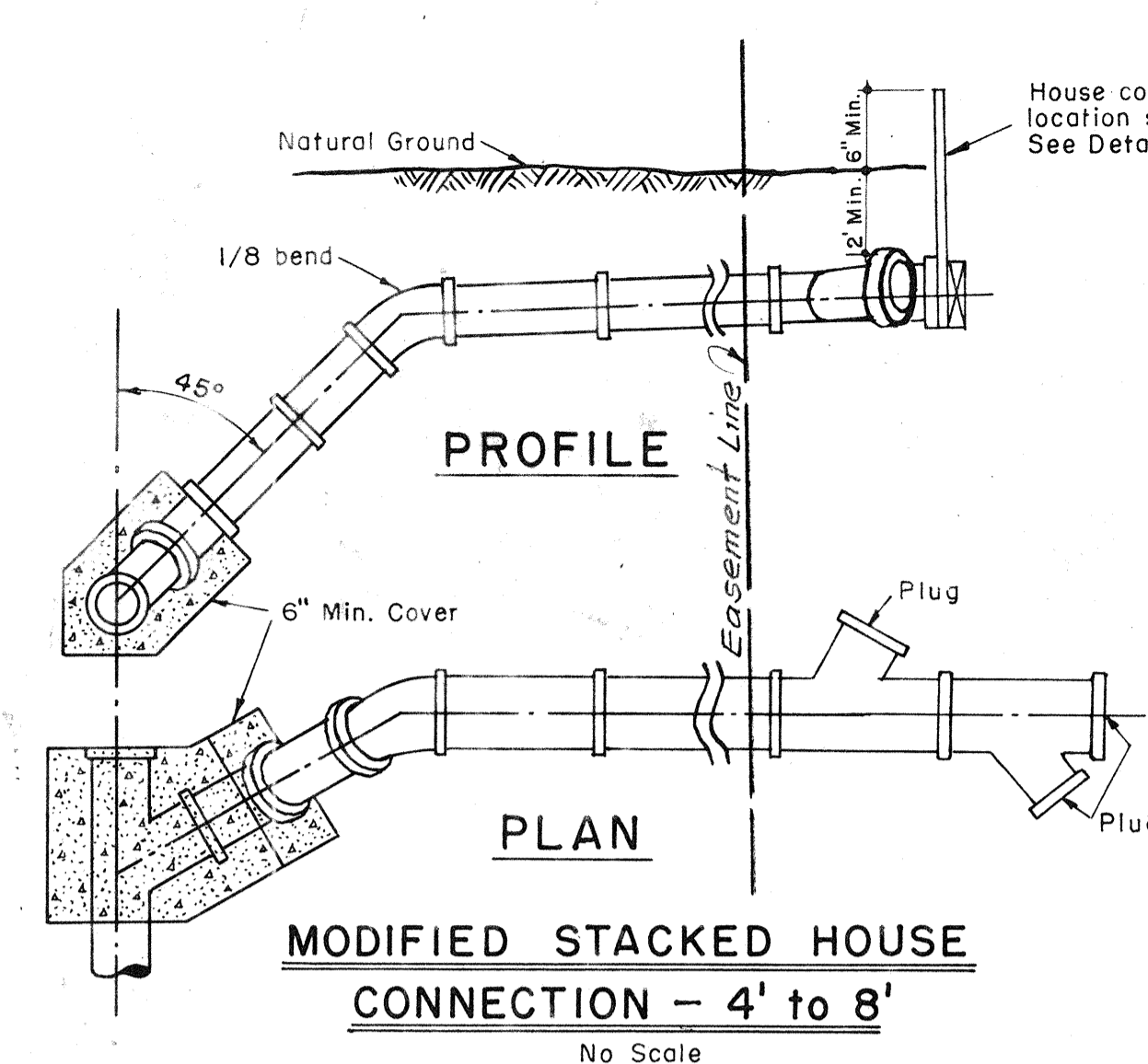


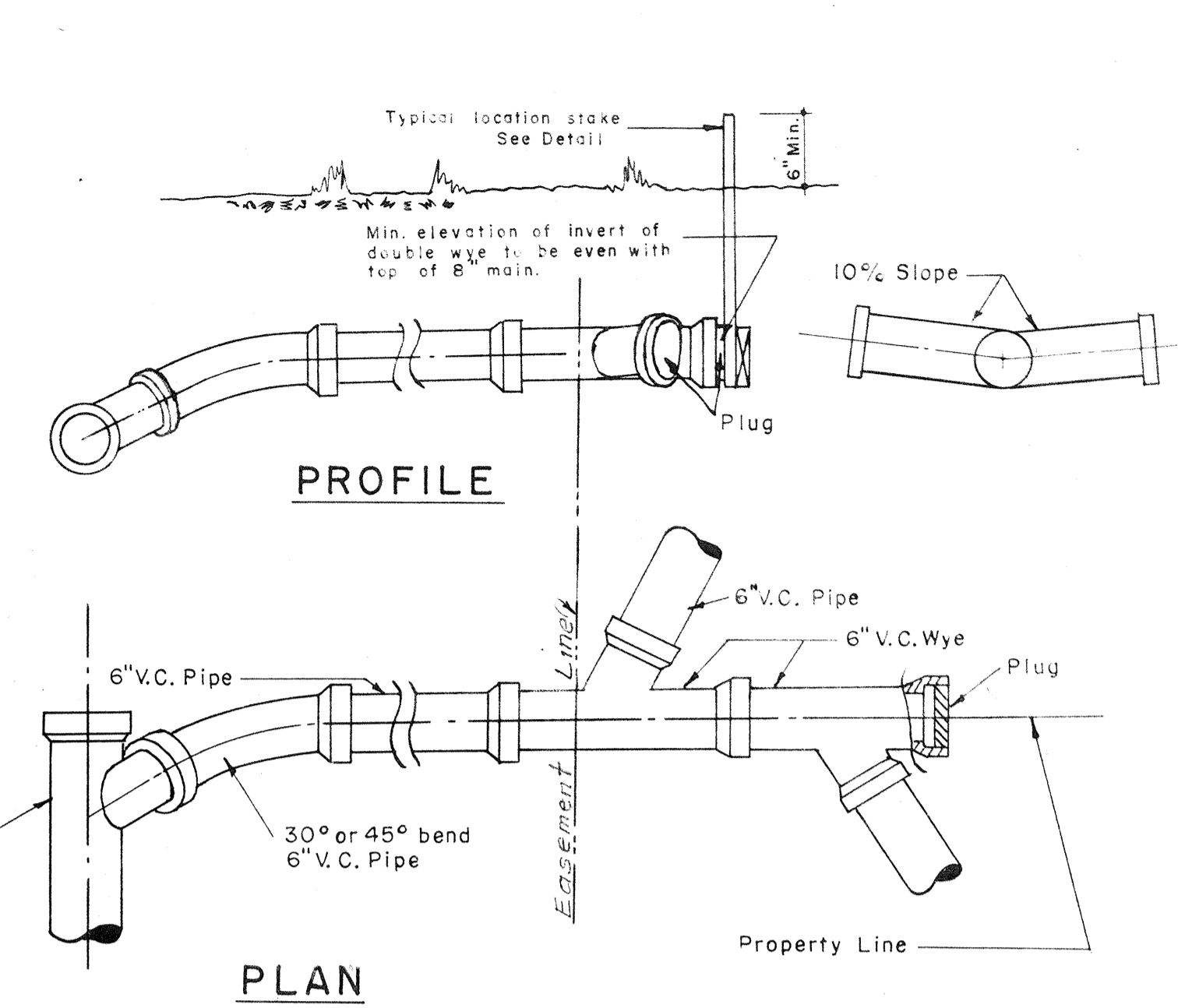
PLAN



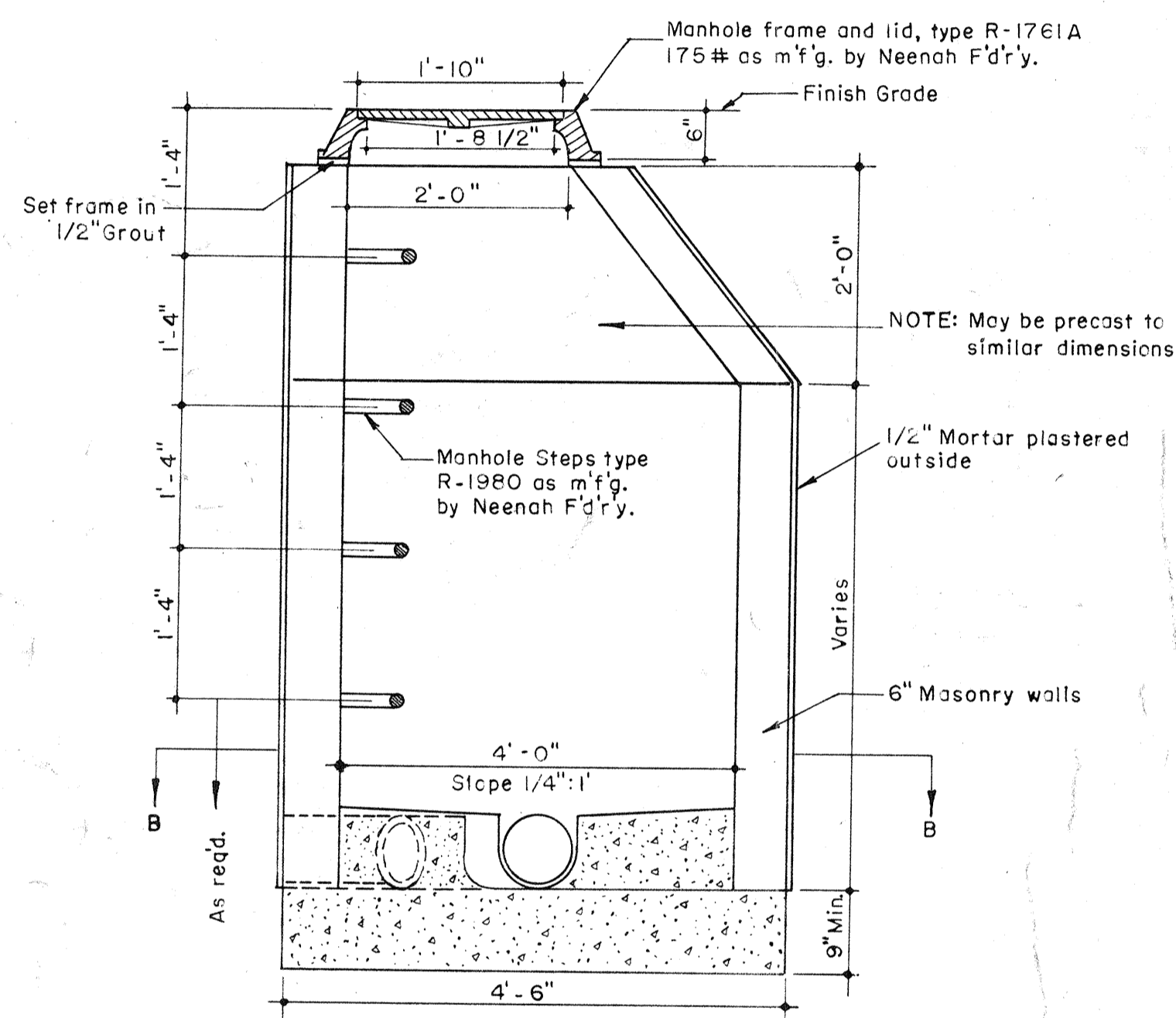
PLAN



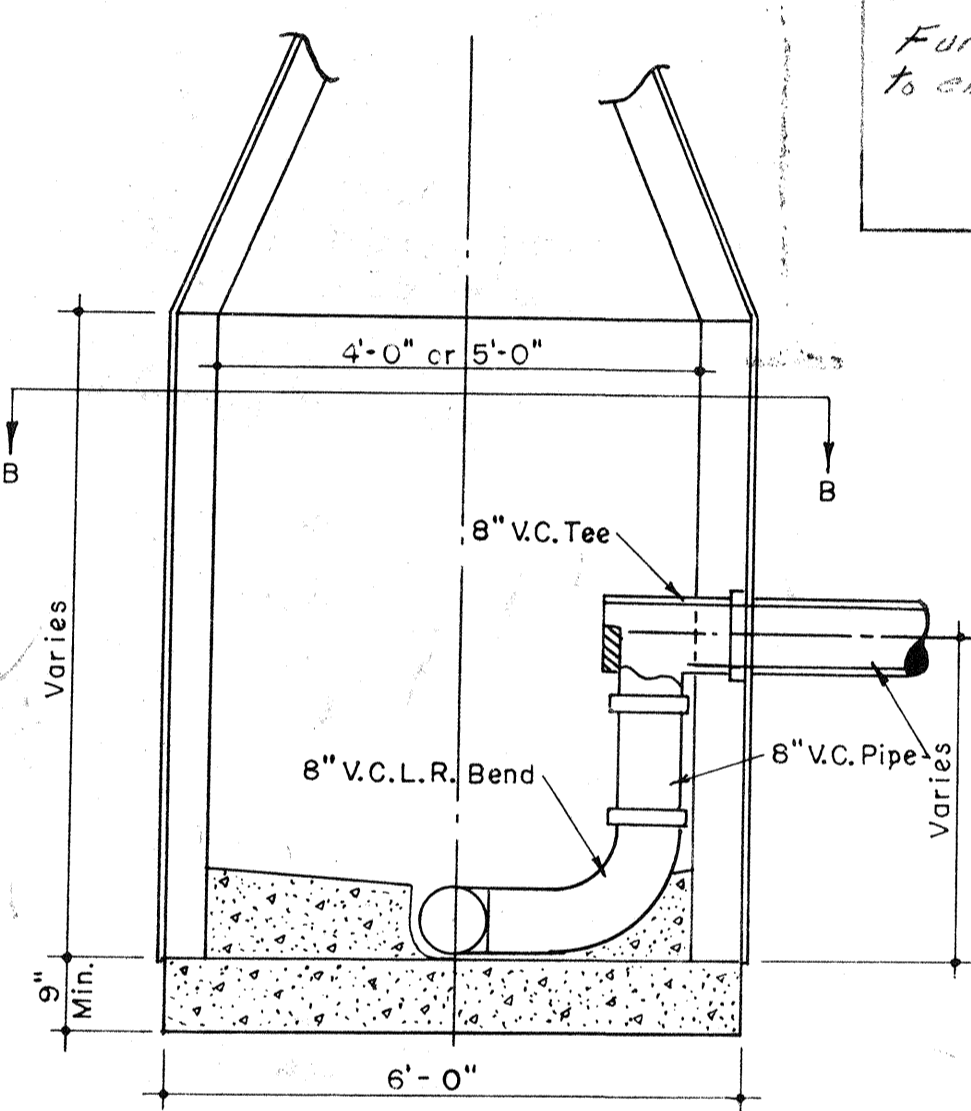
MODIFIED STACKED HOUSE CONNECTION - 4' to 8' No Scale



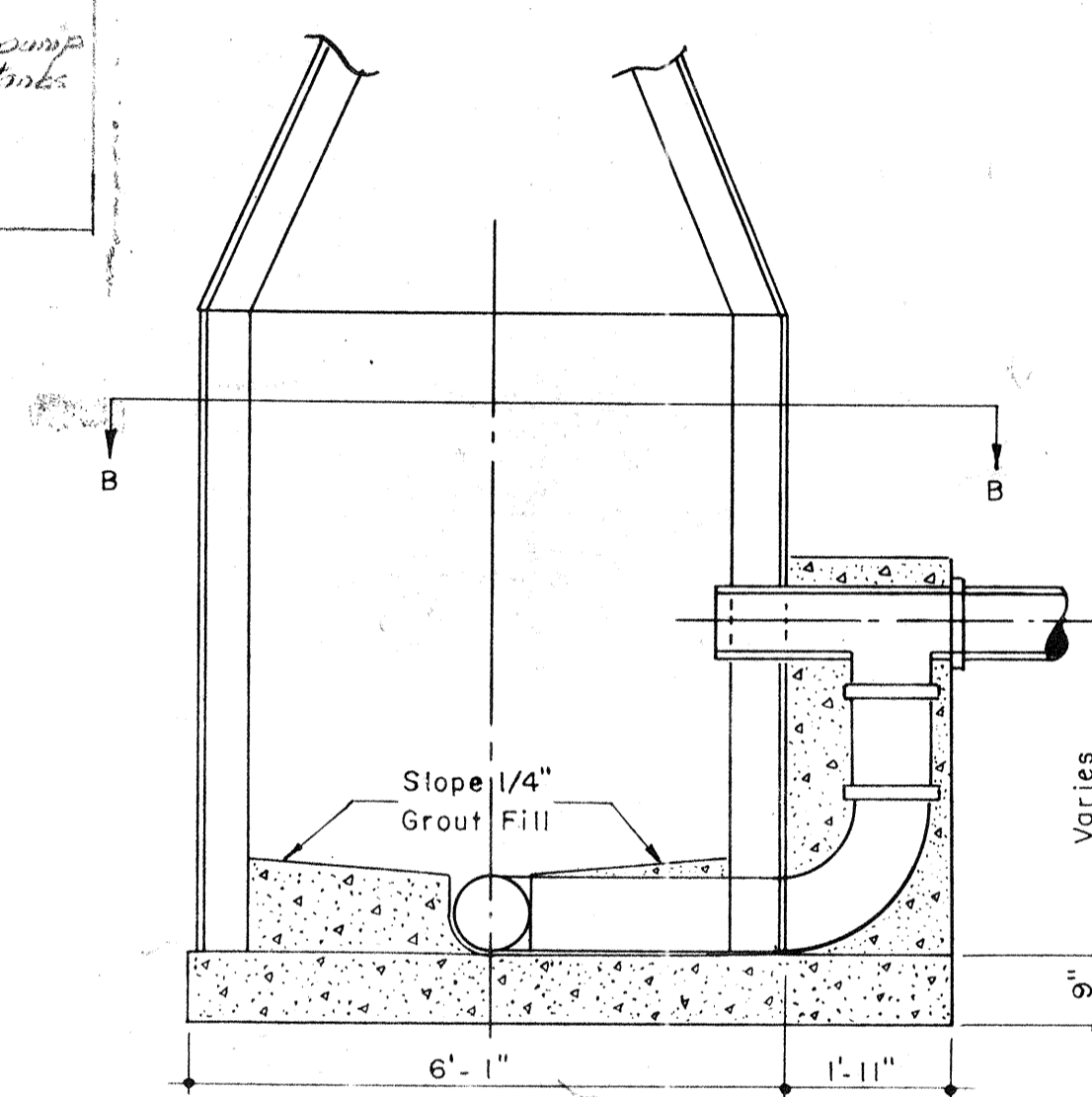
SHALLOW HOUSE CONNECTION - 0' to 4' No Scale



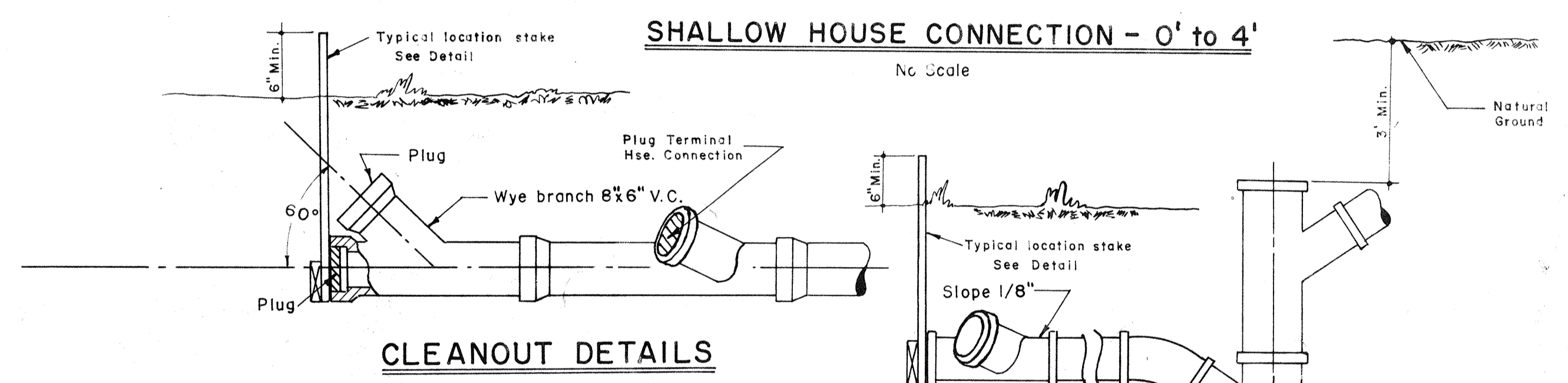
SECTION A-A



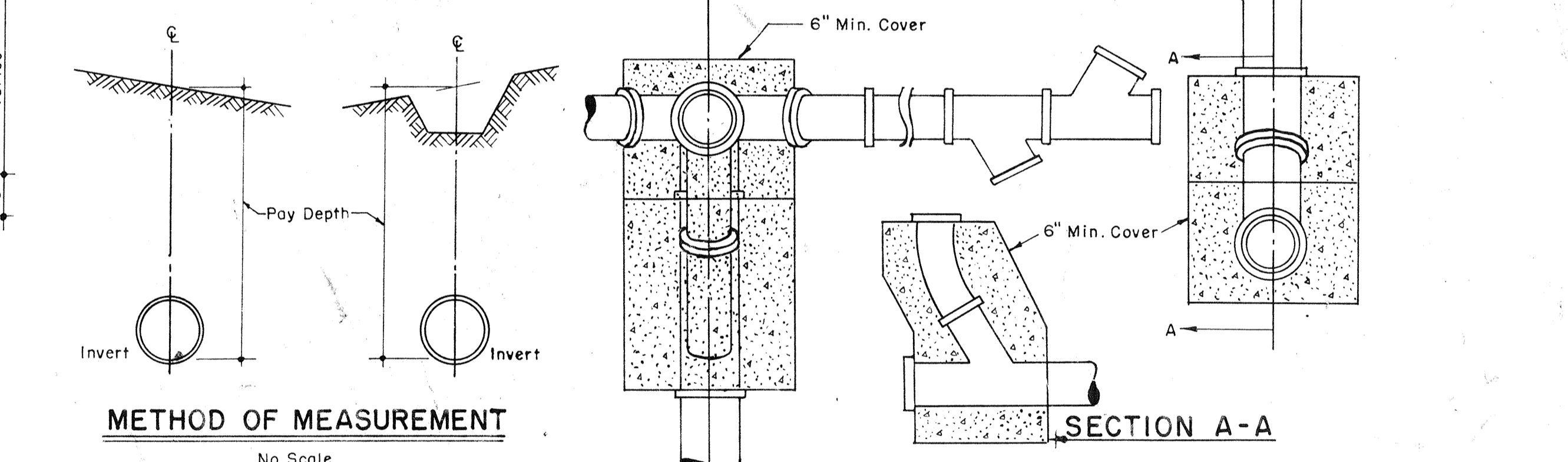
SECTION A-A



SECTION A-A

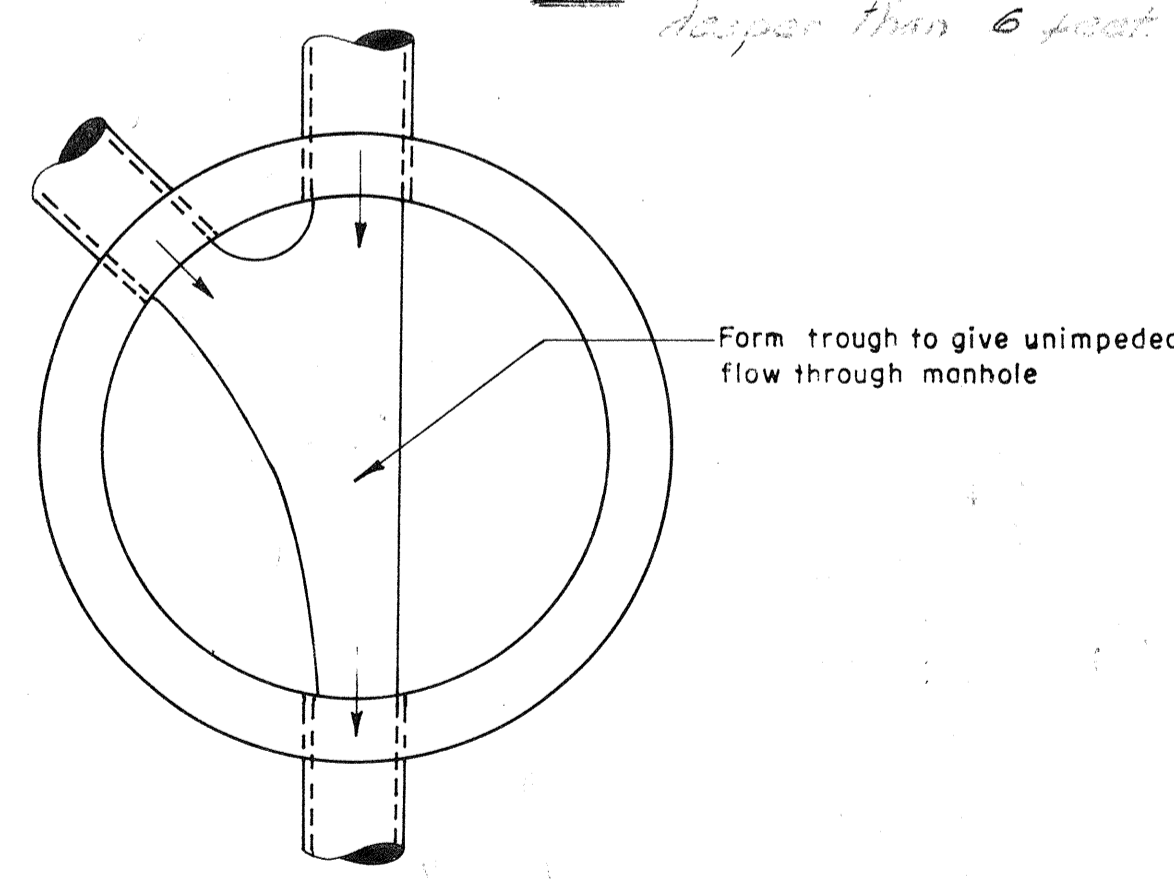


CLEANOUT DETAILS

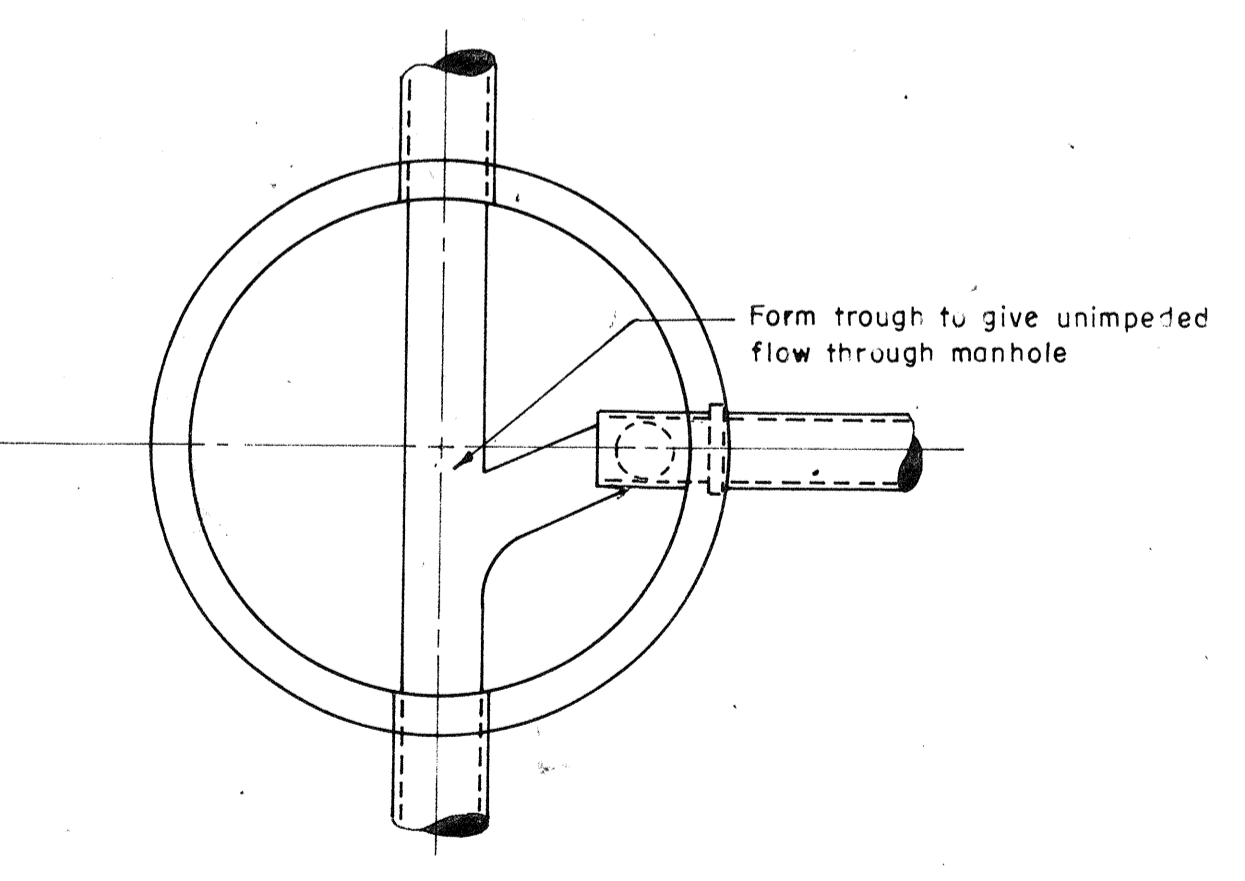


METHOD OF MEASUREMENT No Scale

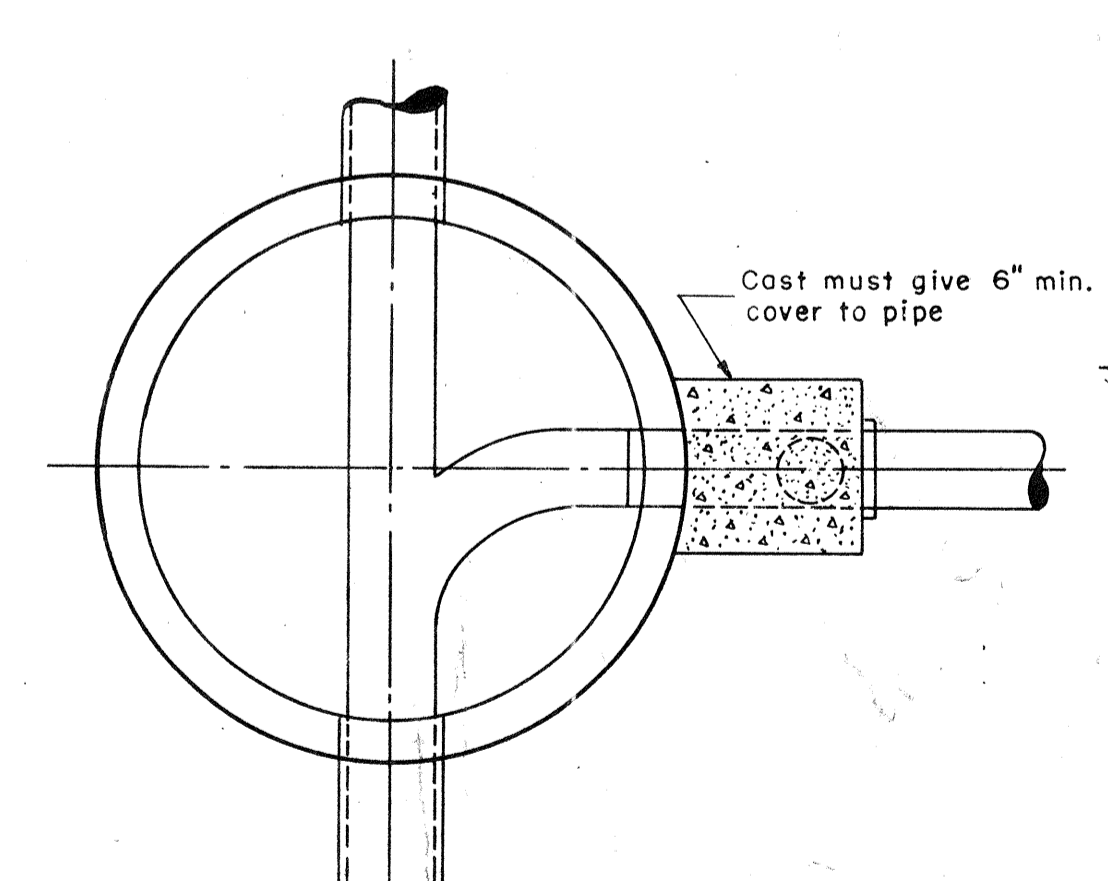
STACKED CONNECTION - 8' and over



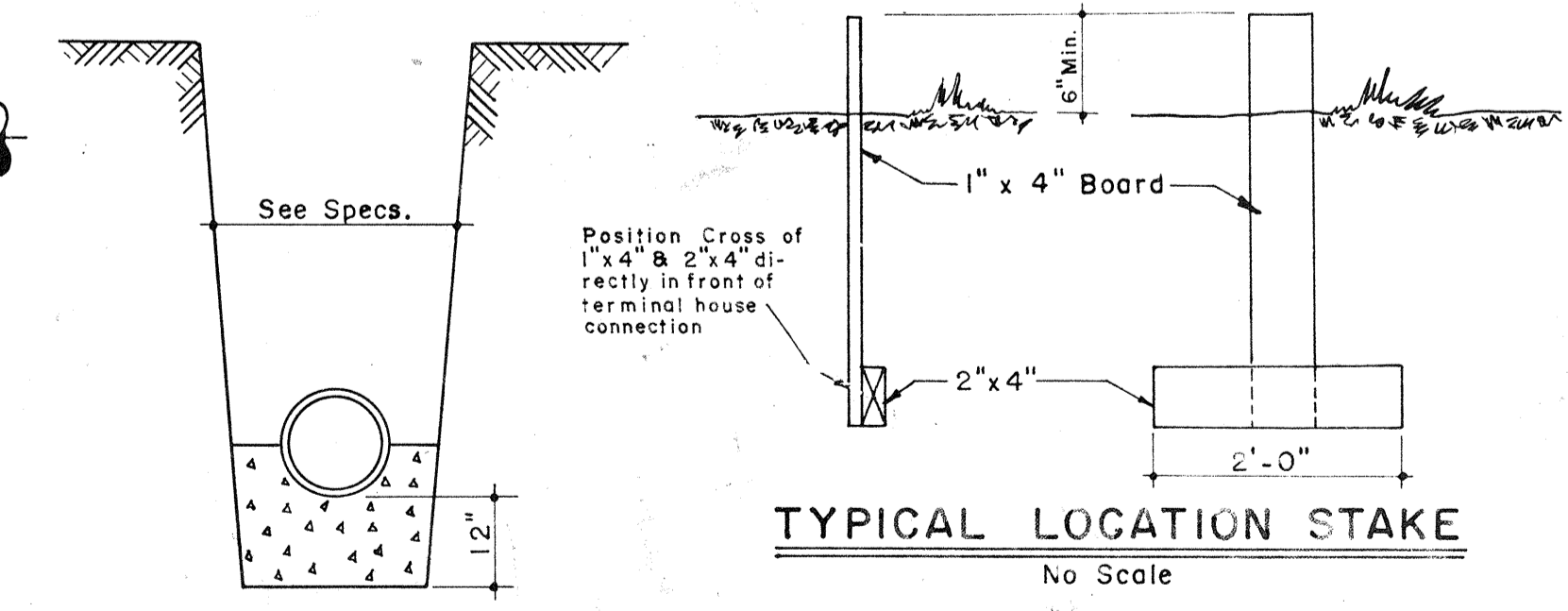
SECTION B-B TYPICAL MANHOLE Scale: 3/4" = 1"



SECTION B-B TYPICAL DROP MANHOLE Scale: 1/2" = 1"



SECTION B-B ALTERNATE DROP MANHOLE No Scale



GRAVEL FILL TRENCH No Scale

TYPICAL LOCATION STAKE No Scale

REVISION	DATE	DESCRIPTION	DRAWN
1	12-20-65	CONNECTION	J.R.C.
2	3-18-66	ADDITIONS and notes	J.R.C.

MOSBY ENGINEERING ASSOCIATES, INC. 2259 BEE RIDGE ROAD SARASOTA, FLA.	
SCALE: As Shown	CRN BY: J.R.C.
DES. BY: W.F.B.	CKD. BY:
APP. BY: <i>W.F.B.</i>	REG. ENG. NO. 2356
DATE: Mar. 18, 1965	JOB NO. 2789
TITLE: SEWERAGE DETAILS	SHY. NO. S-200