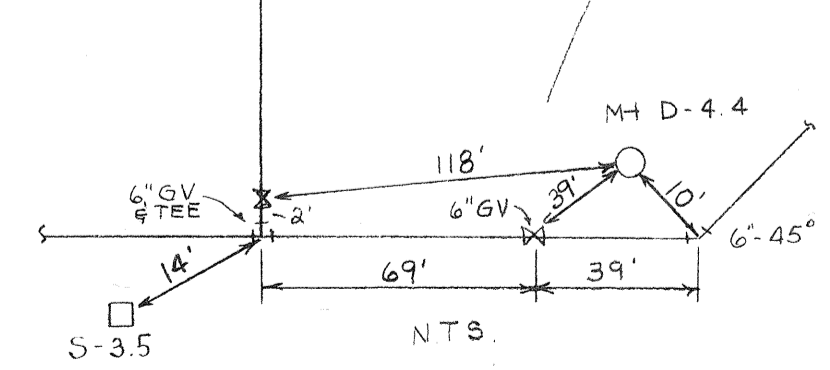
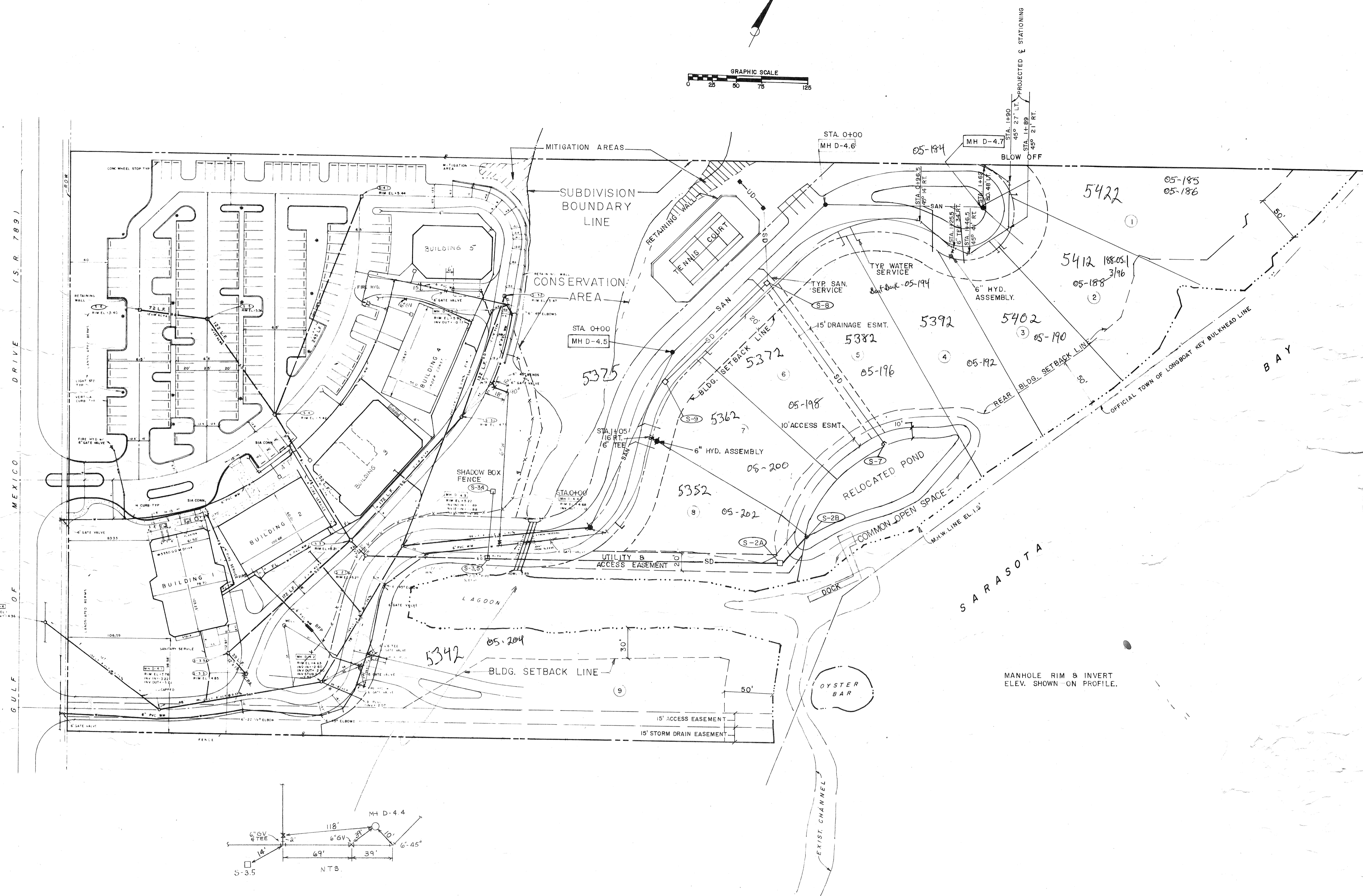
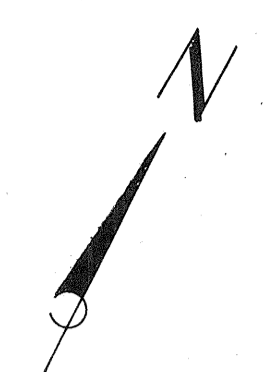
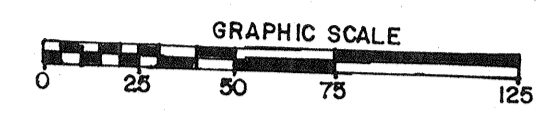


LEGEND

- SAN ● SAN SAN, SEWER & MANHOLE
- SD □ SD STORM DRAIN & INLET
- WM — WM WATERMAIN & FIRE HYDRANT
- UD — UD UNDERDRAIN
- ★ STREET LIGHT



MANHOLE RIM & INVERT ELEV. SHOWN ON PROFILE.

PROJECT ENGINEER		DESIGNED BY		DATE:	
					8-25-86
					F.V.
					8-25-86
					F.V.
					1" = 50'
					DRAWN BY
					R.W.C.
					PROJECT NO.
					F.V.
					REVISION
					DATE
					BY
					JA
					TOWN OF LONGBOAT K., FLORIDA
					P. WALLENBERG DEVELOPMENT CO. INC.
					SANDHAMN
					AS-BUILT
					ENGINEER WILLIAM F. BISHOP
					SSOCS. 4509 BEE RIDGE ROAD SARASOTA, FLORIDA
					T.L.K. FILE NO.
					SHEET NUMBER
					PWAL-0031
					REVISION

W.F. Bishop
PE 128189

SANDHAMN