

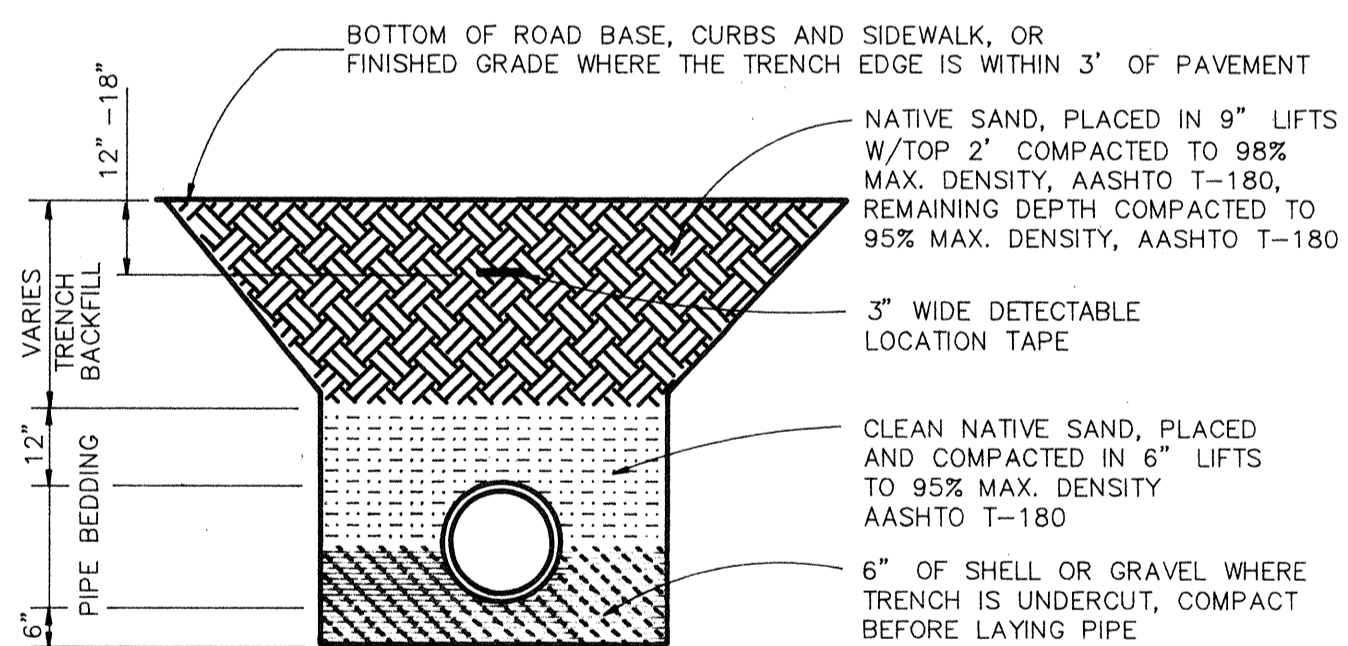
BEARING SURFACE AREA (SQ. FT.)

PIPE SIZE	90° ELB	45° ELB	22 1/2° ELB	11 1/4° ELB	TEE OR PLUG
4"	1.0	1.0	1.0	1.0	1.0
6"	2.3	1.2	1.0	1.0	1.6
8"	4.0	2.2	1.1	1.1	2.8
10"	6.3	3.4	1.8	1.8	4.4
12"	9.0	4.9	2.5	2.5	6.4

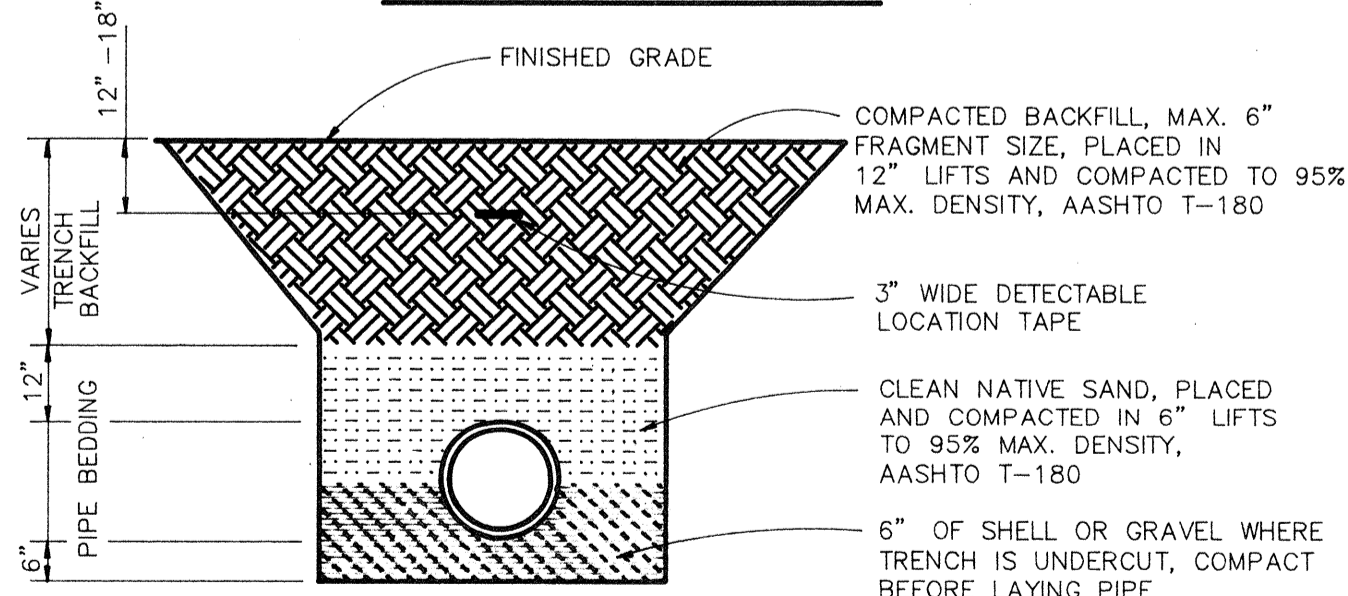
DESIGN PRESSURE = 75 PSI

- NOTES**
- THRUST BLOCK BEARING AREA BASED ON 2000 PSF SAFE SOIL BEARING. IF ACTUAL SOIL BEARING IS LESS THAN 2000 PSF, CONTRACTOR SHALL BE REQUIRED TO PLACE ADDITIONAL THRUST BEARING AS DETERMINED BY THE ENGINEER, AT NO ADDITIONAL COST.
 - THRUST BLOCKS SHALL BE POURED AGAINST UNDISTURBED SOIL.
 - CONCRETE SHALL BE KEPT CLEAR OF "T" BOLT AND PLACED BENEATH FITTINGS AS SHOWN OR SUPPORT. WRAP ALL FITTINGS WITH PLASTIC BEFORE POURING THRUST BLOCK CONCRETE.
 - BEFORE POURING CONCRETE, PLUGS SHALL BE WRAP WITH PLASTIC AND A PRESSURE TREATED BROAD PLACED BETWEEN IT AND THE CONCRETE.
 - "B" SHALL NOT EXCEED 2 x "H".

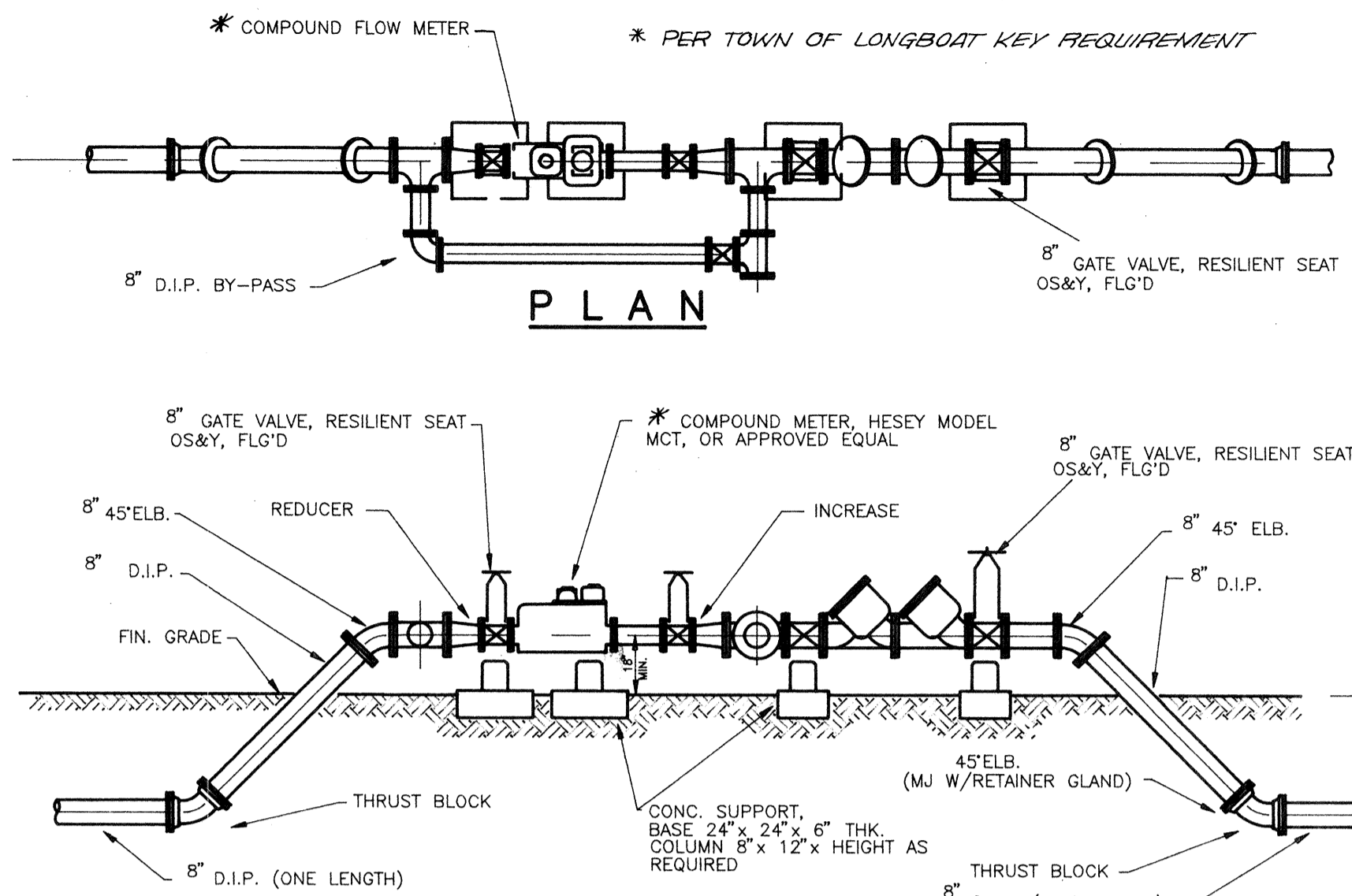
WATER MAIN THRUST BLOCK DETAIL
N.T.S.



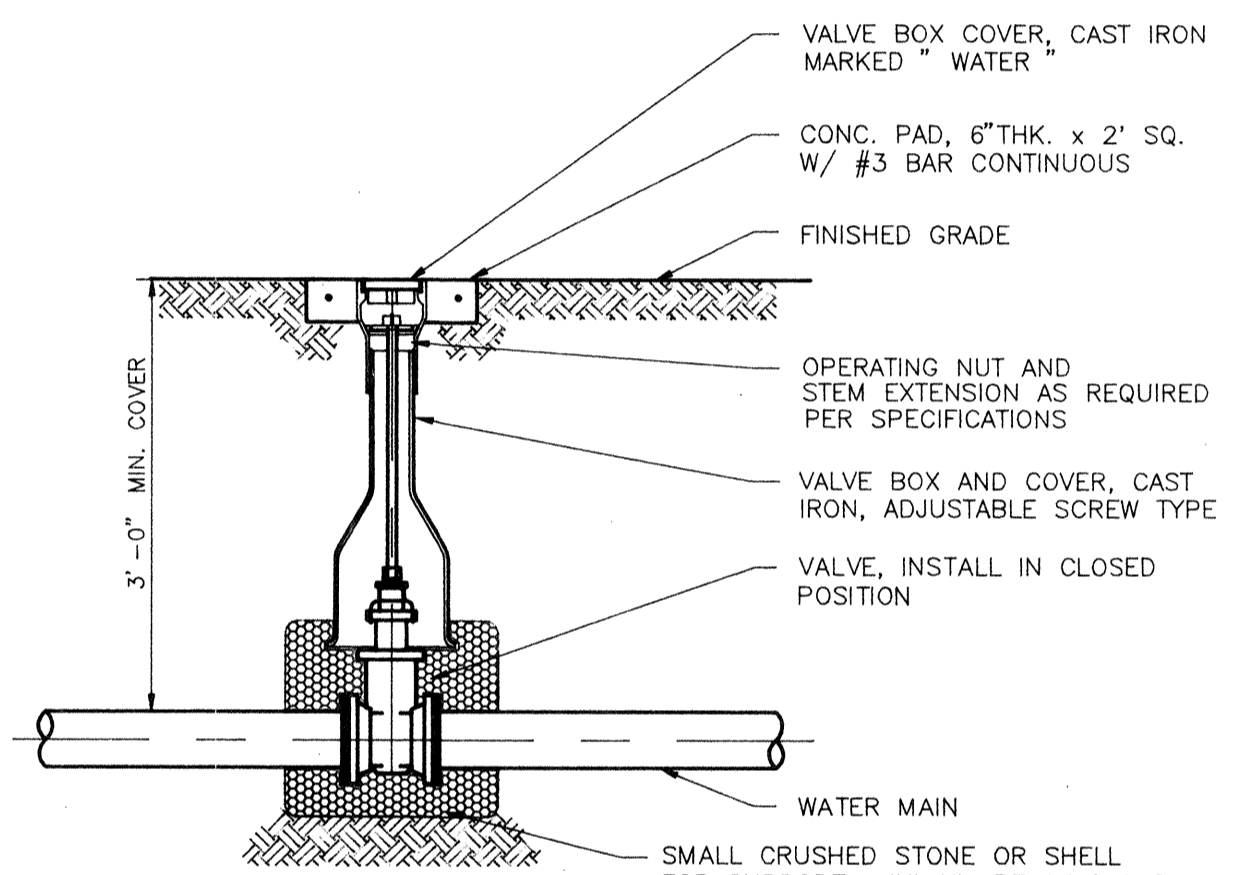
TRENCH "A" DETAIL



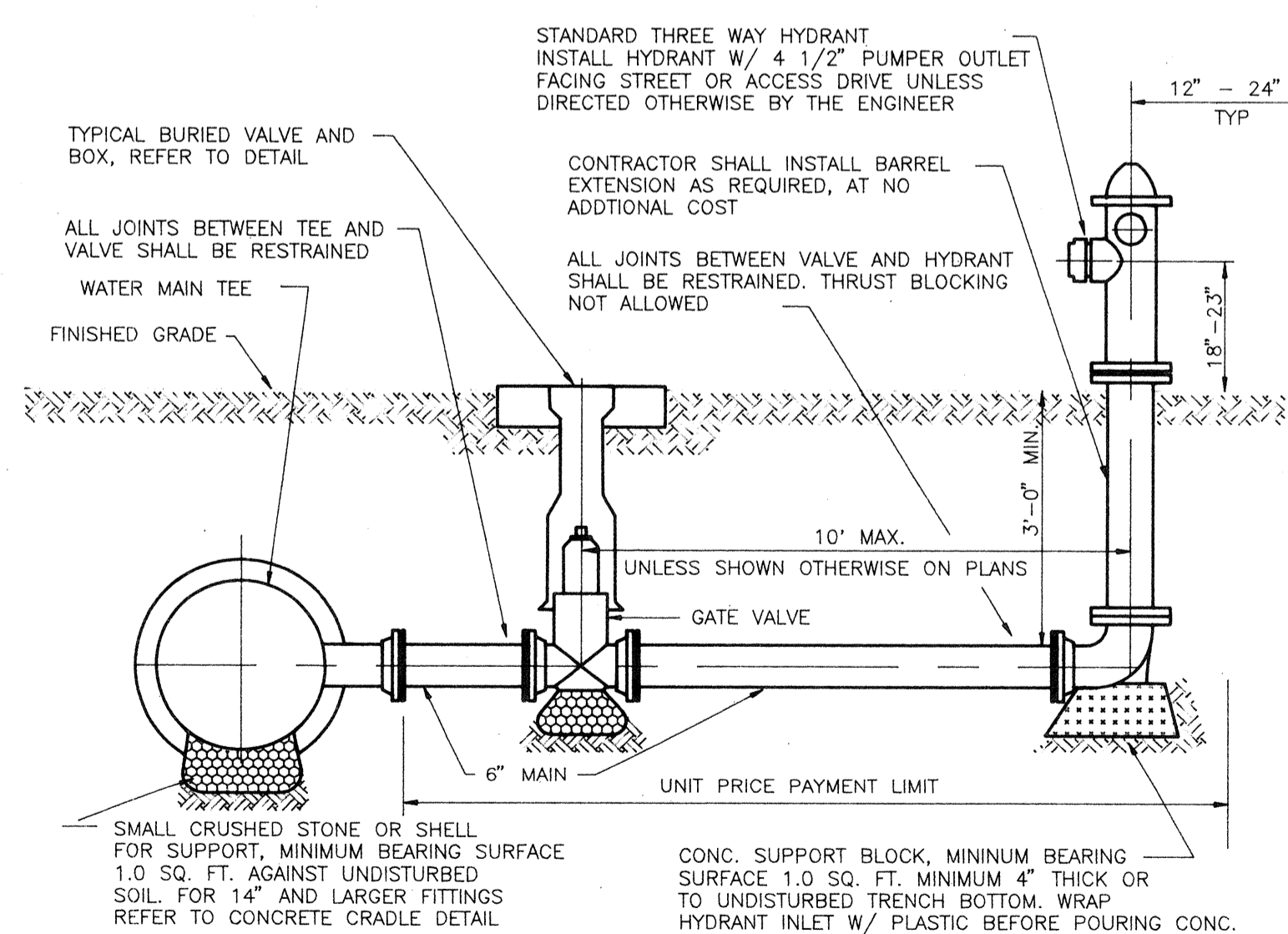
TRENCH "B" DETAIL
N.T.S.



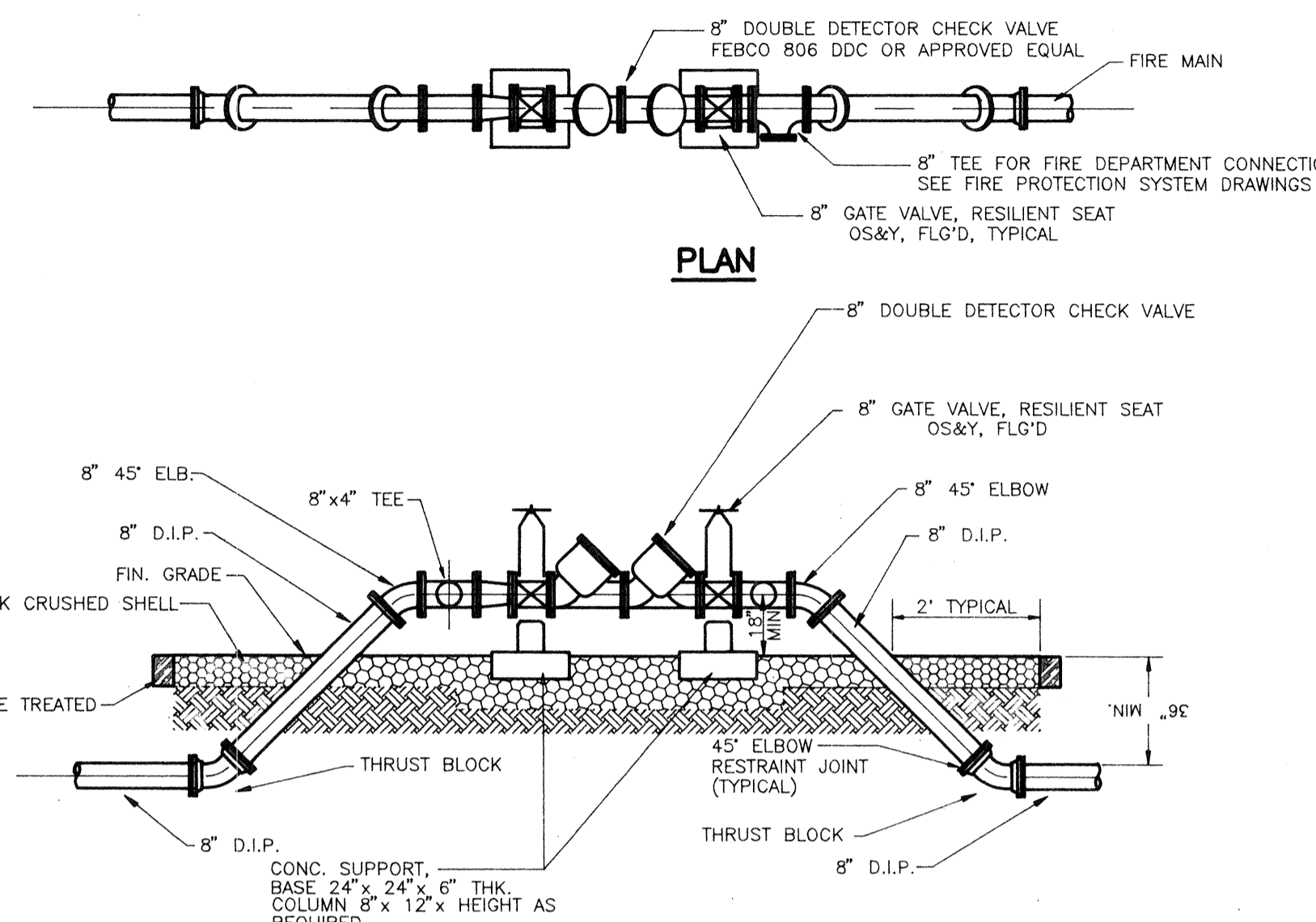
WATER METER/BACKFLOW PREVENTER DETAIL (6" AND LARGER)
N.T.S.



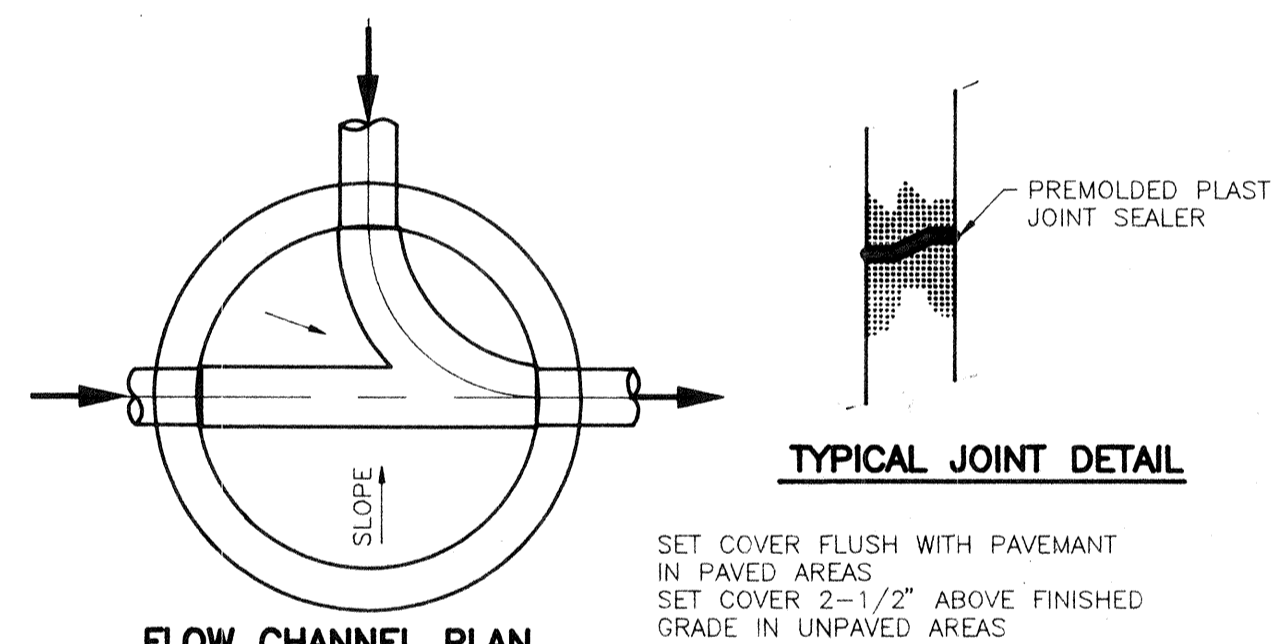
BURIED VALVE & BOX DETAIL



FIRE HYDRANT ASSEMBLY
N.T.S.

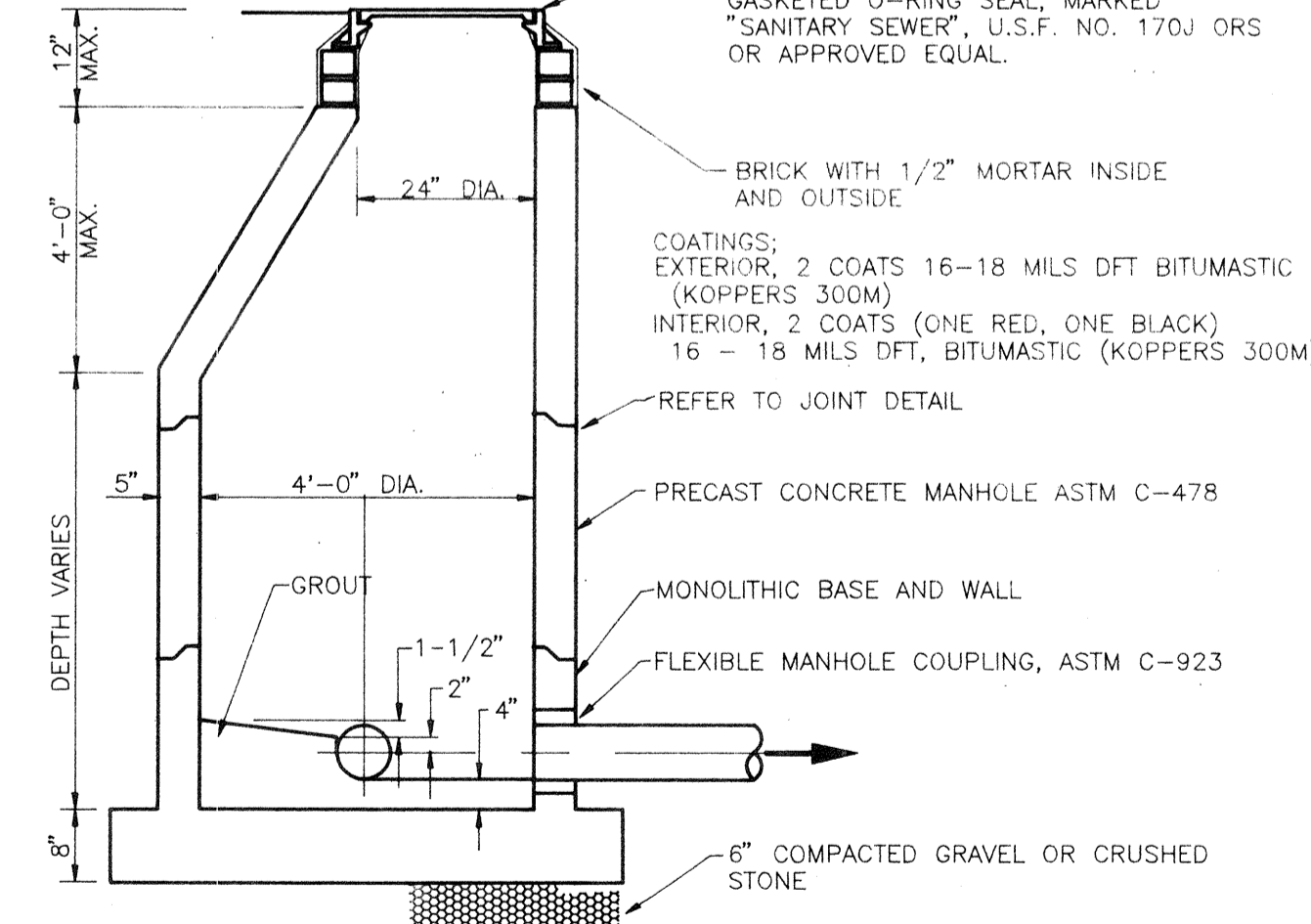


BACKFLOW PREVENTER DETAIL
N.T.S.

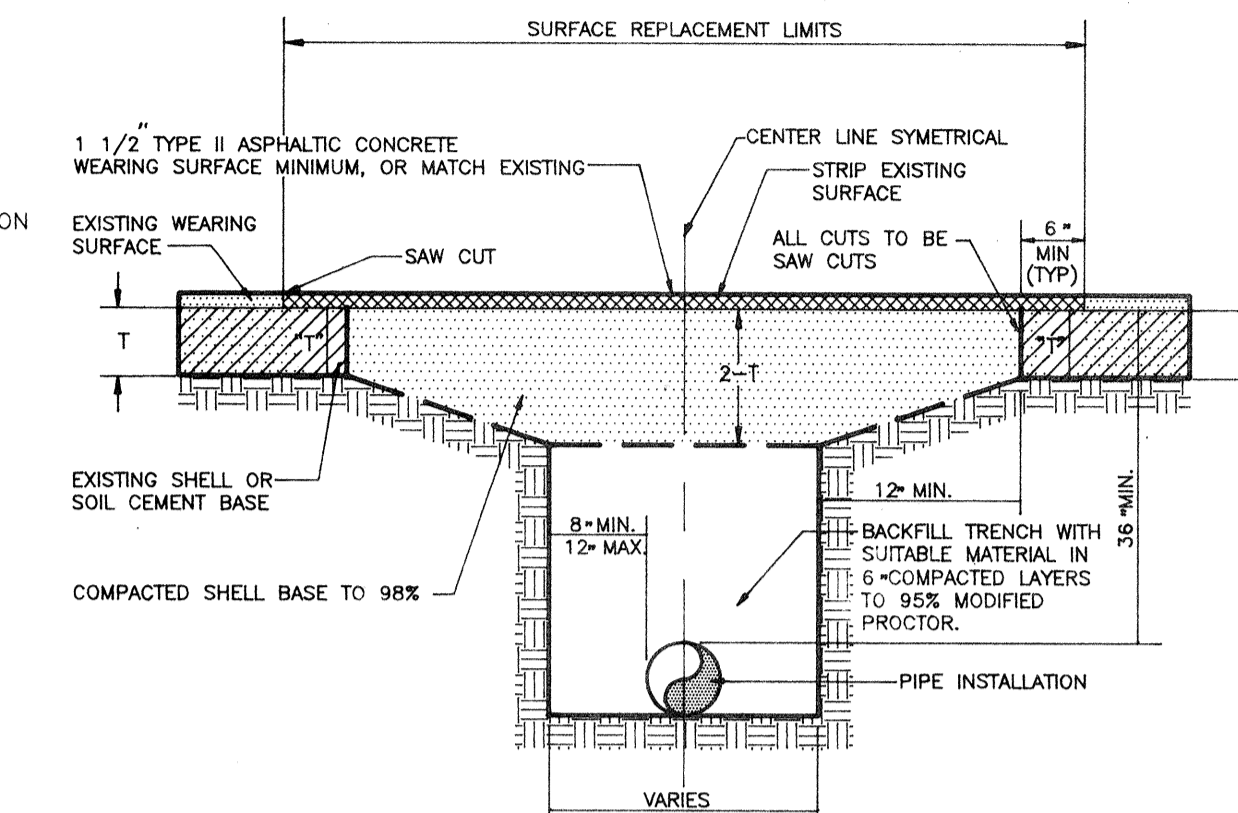


FLOW CHANNEL PLAN

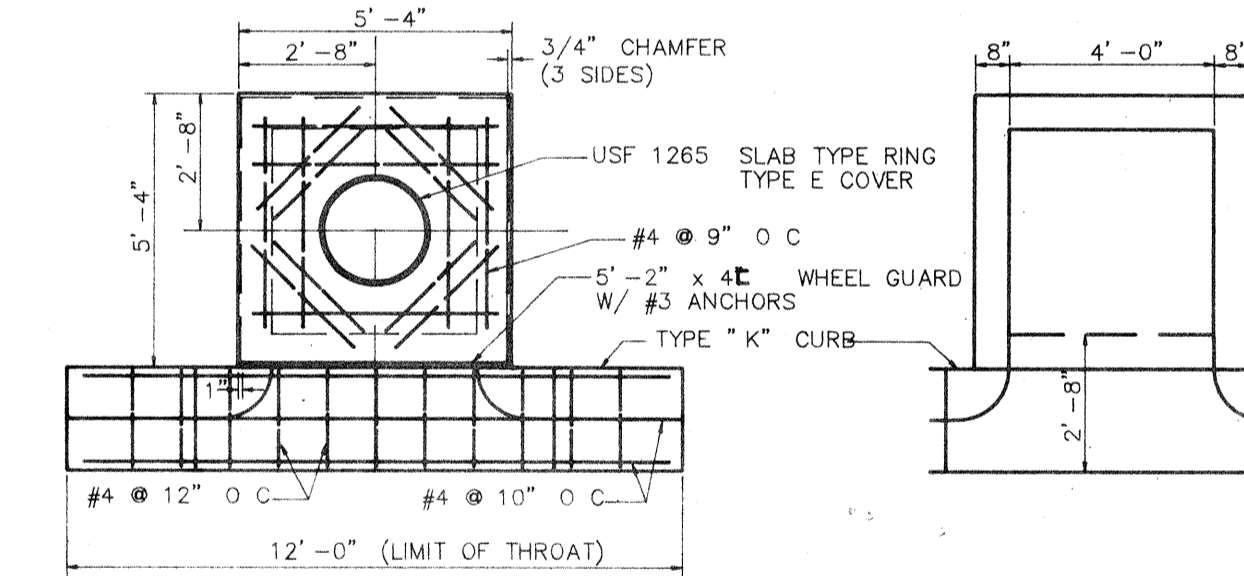
TYPICAL JOINT DETAIL



STANDARD MANHOLE
N.T.S.

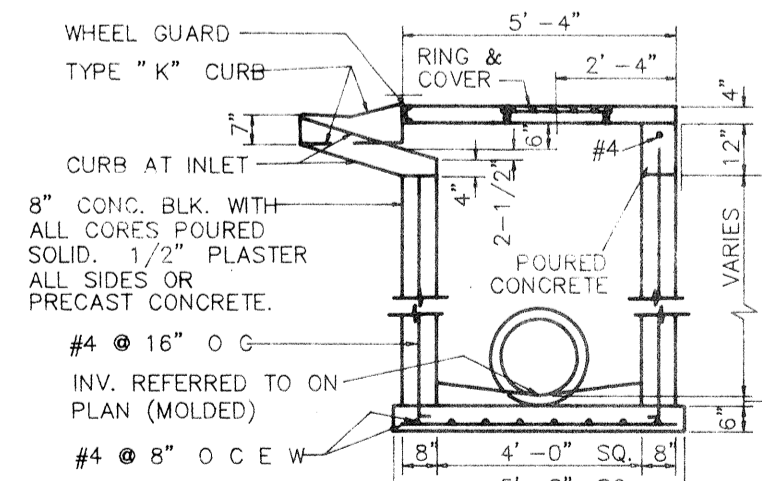


PAVEMENT RESTORATION DETAIL
N.T.S.



PLAN - COVER

PLAN - COVER REMOVED



SECTION

TYPICAL STANDARD STORM SEWER INLET
N.T.S.

CONSTRUCTION PLANS

REGENT PLACE
MISC. DETAILS

PROJECT NO.
RPG-01
SHEET NO.
5

FIELD BOOK NO.
PAGE
CAD FILE: RFG001BET.DWG
P. Or. K.

BISHOP & ASSOCIATES
Consulting Engineers • Surveyors
AN EMPLOYEE OWNED COMPANY
78 SARASOTA CENTER BLVD., SARASOTA, FLORIDA 34240
813/371-6362 • Fax 813/378-3215

REVISION	BY	DATE	Q.C.	DATE	DESCRIPTION	REVISION	BY	DATE	Q.C.	DATE	DESCRIPTION	TASK	INITIALS	DATE
												DESIGN	J.J.	11/2/93
												DRAWN	D.U.E.	11/2/93
												CHECKED		
												QUALITY CHK.		
												VERT. SCALE	AS SHOWN	

CLIENT/TITLE

DATE

SEAL ENGINEER OR SURVEYOR OF RECORD